

[54] PIPE END PREPARATION TOOL

[75] Inventors: Henry Astle, Rancho Cordova; John E. Pertle, Garden Valley, both of Calif.

[73] Assignee: Tri Tool, Inc., Rancho Cordova, Calif.

[**] Term: 14 Years

[21] Appl. No.: 99,873

[22] Filed: Dec. 3, 1979

[51] Int. Cl. D8-01

[52] U.S. Cl. D8/61

[58] Field of Search D8/60, 61; D15/122; 82/4 C; 144/205; 408/80, 81, 82, 211

[56] References Cited

U.S. PATENT DOCUMENTS

2,004,741	6/1935	Zimmerman	408/81
2,227,348	12/1940	Johnson	30/93
2,453,848	11/1948	Livingston et al.	408/211
3,403,597	10/1968	Beckman et al.	408/81
3,999,452	12/1976	Larsen	82/4 C
4,257,289	3/1981	Groothius	144/205

Primary Examiner—Peter M. Caun
Attorney, Agent, or Firm—Bacon & Thomas

[57] CLAIM

The ornamental design for a pipe end preparation tool, as shown.

DESCRIPTION

FIG. 1 is a front elevational view of a pipe end preparation tool, showing my new design; FIG. 2 is an elevational view of one side, the opposite side being substantially a mirror image thereof; FIG. 3 is a rear elevational view; FIG. 4 is a bottom plan view; and, FIG. 5 is a top plan view.

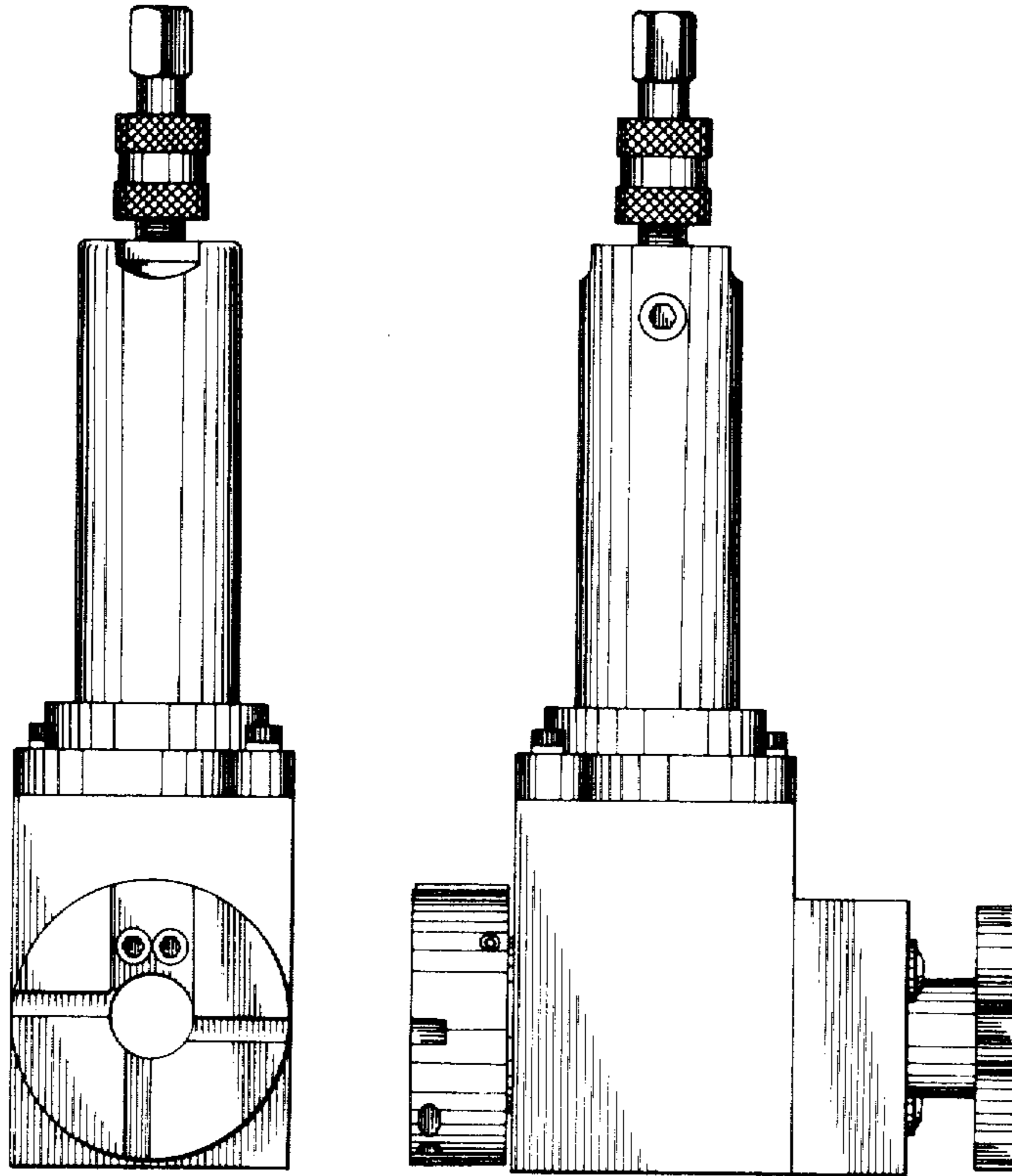


FIG-1

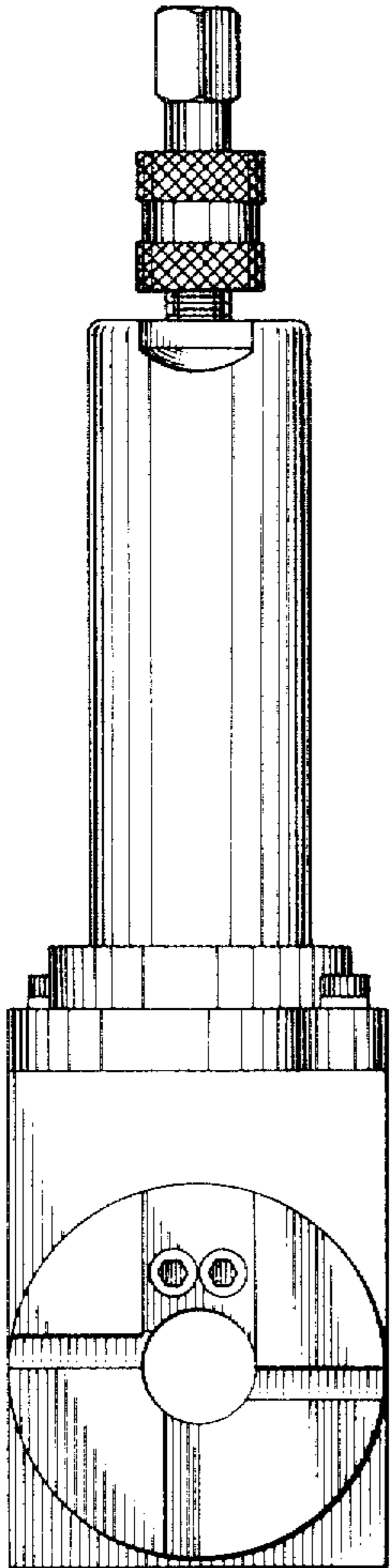


FIG-2

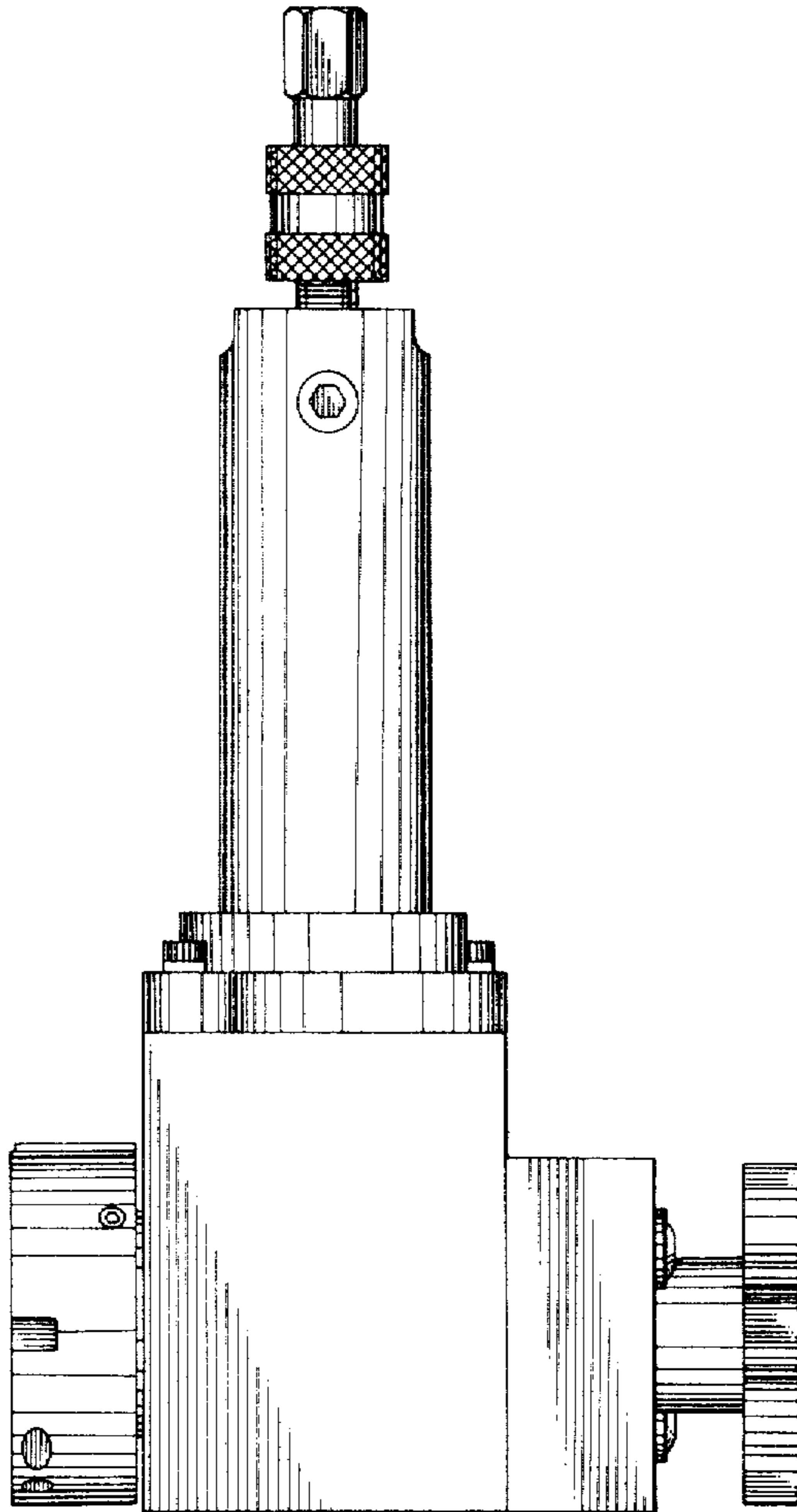


FIG-3

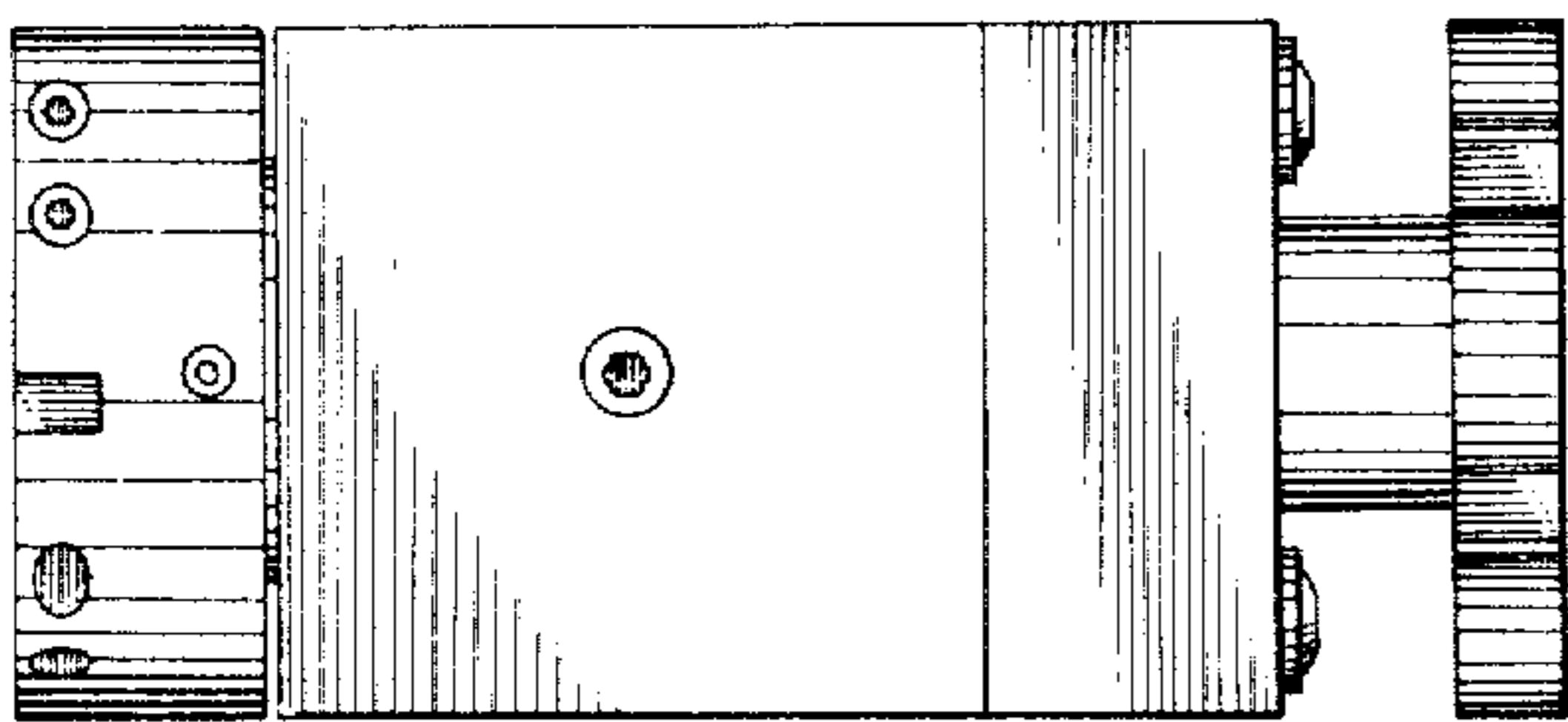
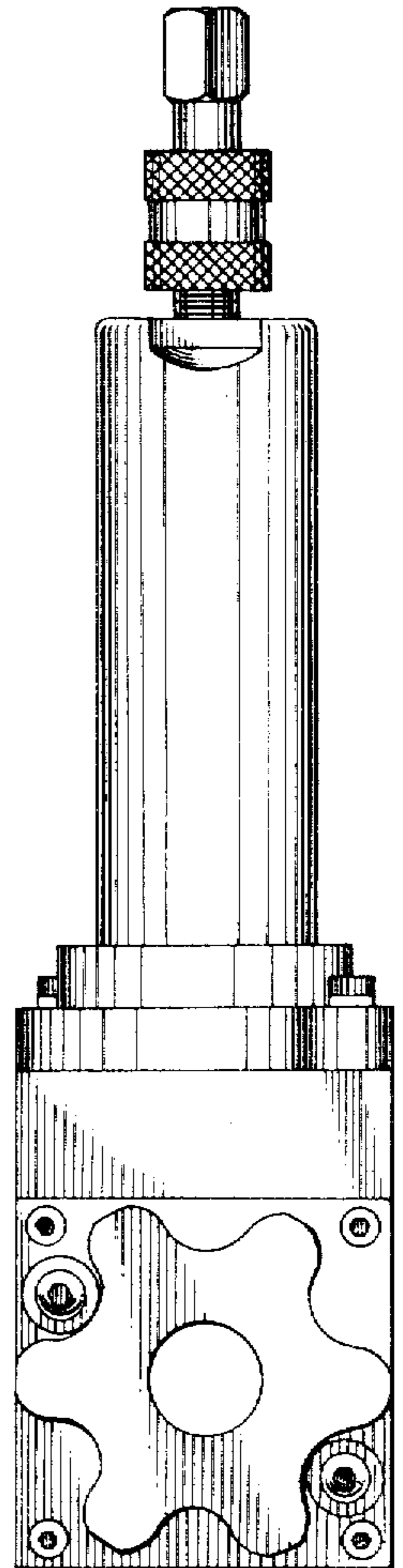


FIG-4

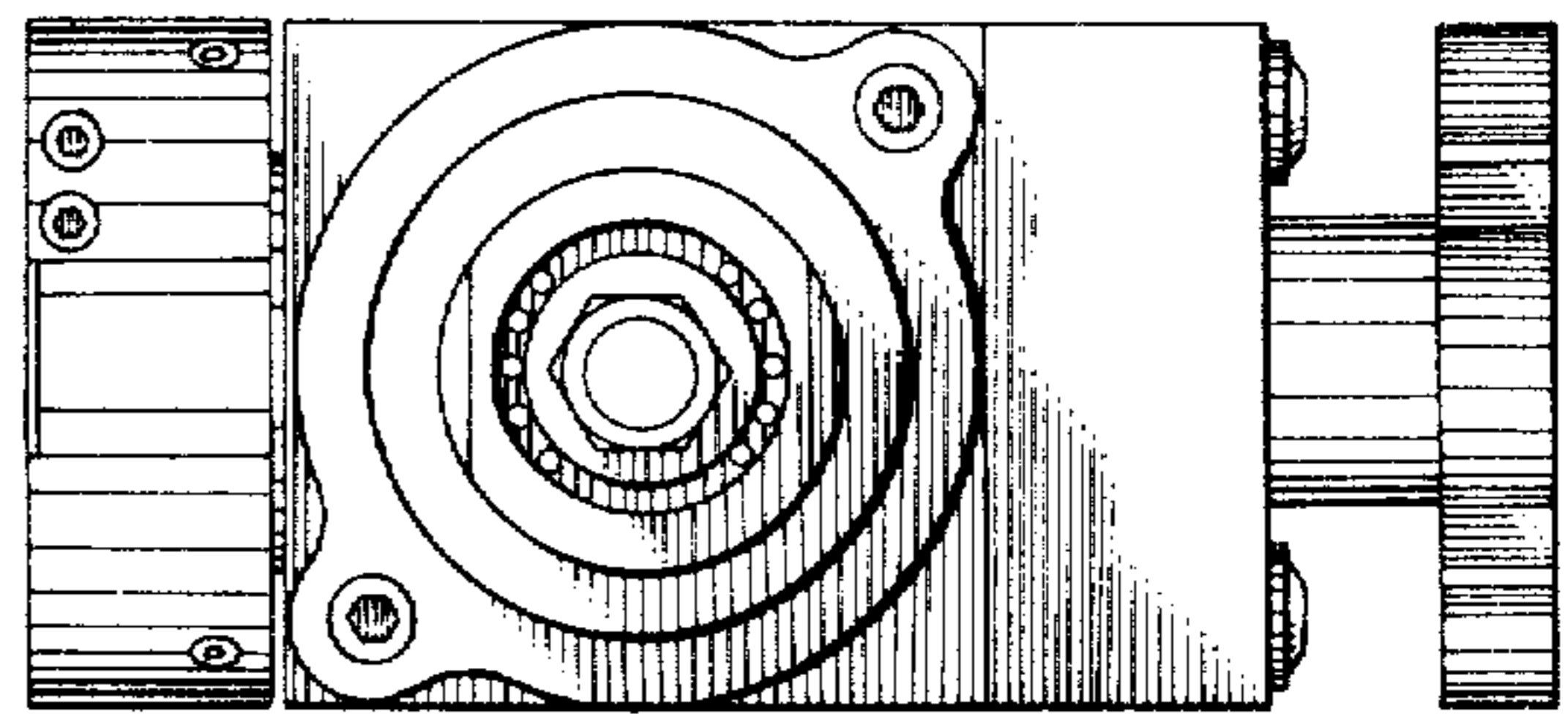


FIG-5