

[54] **BLADE FOR POWER SCYTHE**
[75] Inventors: **Hisashi Inaga**, Tokyo; **Masato Nogawa**, Yokohama, both of Japan

3,078,573 2/1963 Kern 30/347
3,283,488 11/1966 Franklin 30/347 X
4,089,114 5/1978 Doolittle et al. 30/276

[73] Assignee: **Kioritz Corporation**, Tokyo, Japan

FOREIGN PATENT DOCUMENTS

483691 3/1979 Japan D8/8

[**] Term: **14 Years**

Primary Examiner—Bernard Ansher
Attorney, Agent, or Firm—Norbert P. Holler

[21] Appl. No.: **44,974**

[22] Filed: **Jun. 4, 1979**

[57] **CLAIM**

The ornamental design for a blade for power scythe, as shown and described.

[30] **Foreign Application Priority Data**

DESCRIPTION

Mar. 13, 1979 [JP] Japan 54-9886

FIG. 1 is a top plan view of a blade for a power scythe showing our new design, the undisclosed bottom side being a mirror image of the top;

[51] Int. Cl. **D8-03**

[52] U.S. Cl. **D8/20; D8/8; D15/7; D15/29; D8/66**

FIG. 2 is a right side elevation thereof;

[58] Field of Search 30/347; D8/20, 8, 66; D15/17, 29

FIG. 3 is a cross-section taken on the line III—III of FIG. 1;

[56] **References Cited**

U.S. PATENT DOCUMENTS

D. 238,441 1/1976 Julian D15/17
D. 249,012 8/1978 Everts D8/8
2,917,826 12/1959 Pohr 30/347

FIG. 4 is a cross-section taken on the line IV—IV of FIG. 1; and

FIG. 5 is an enlarged fragmentary cross-section taken on the line V—V of FIG. 1.

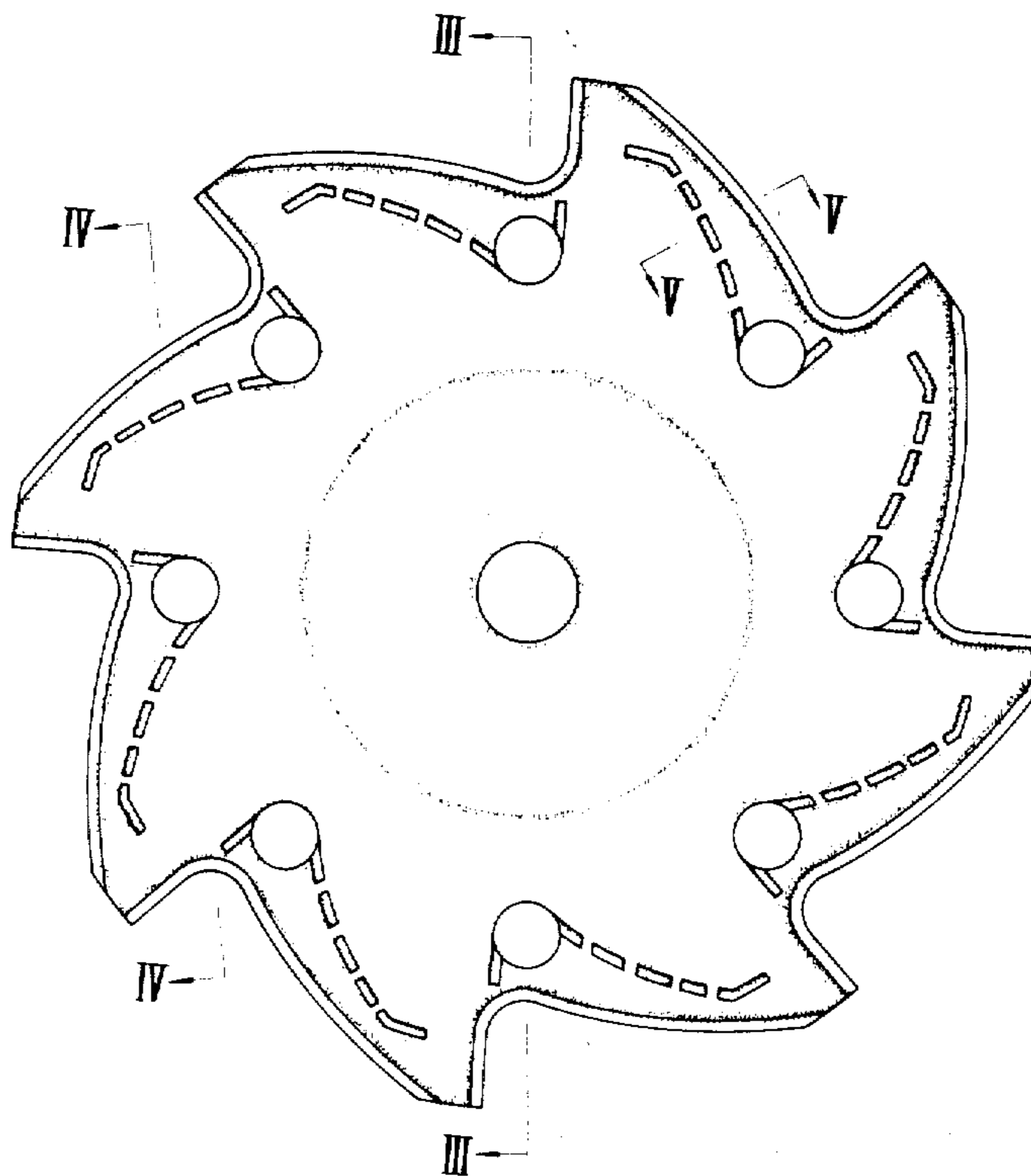


FIG. 1

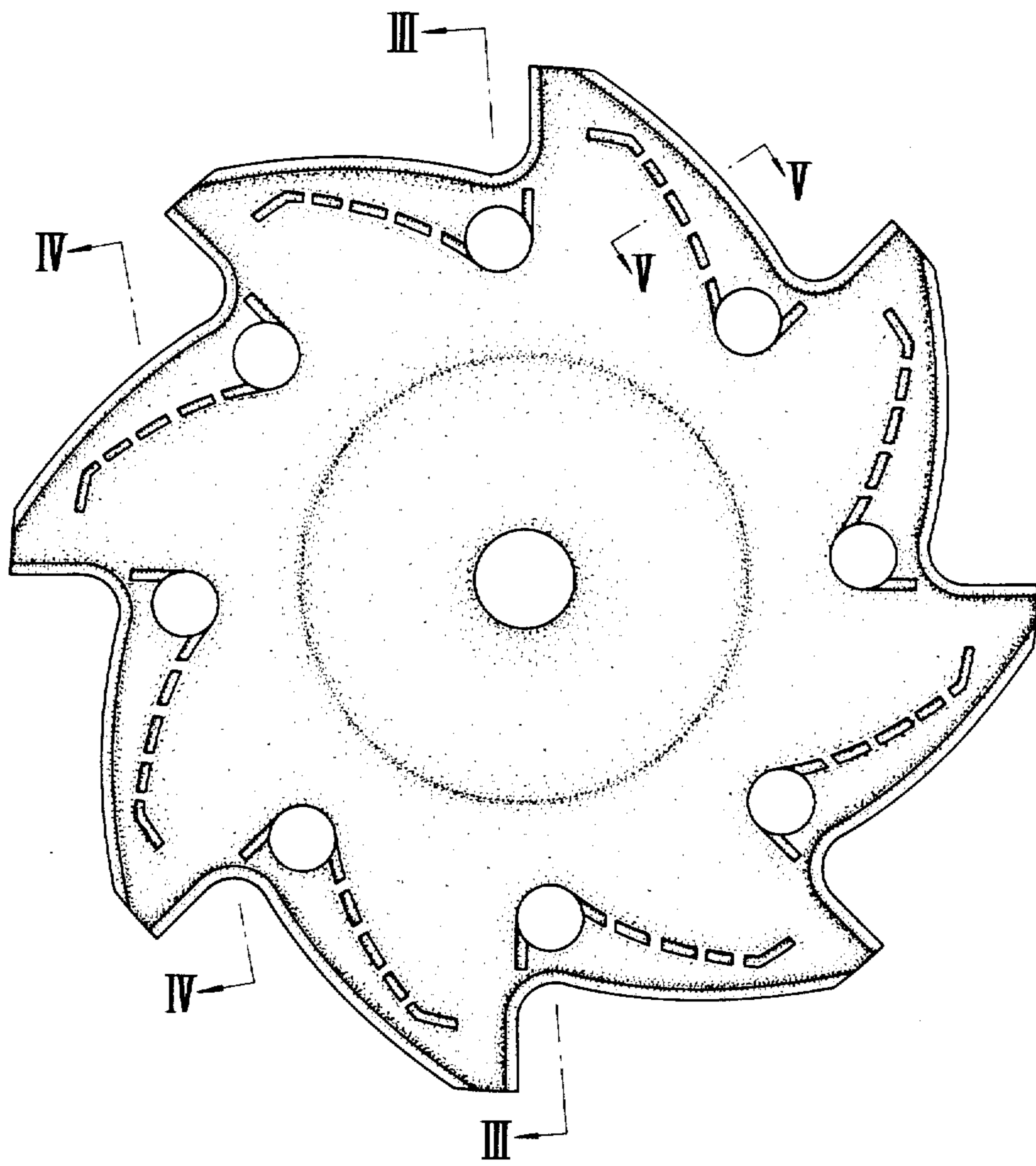


FIG. 2



FIG. 3



FIG. 4



FIG. 5

