

[54] **COOKING APPLIANCE**  
 [75] Inventor: **Felix Schreder**, Oberderdingen, Fed. Rep. of Germany  
 [73] Assignee: **E.G.O. Elektro-Gerate Blanc und Fischer**, Fed. Rep. of Germany  
 [\*\*] Term: **14 Years**  
 [21] Appl. No.: **45,541**  
 [22] Filed: **Jun. 4, 1979**

[30] **Foreign Application Priority Data**  
 Dec. 6, 1978 [DE] Fed. Rep. of Germany ..... 10 AR 133/78

[51] Int. Cl. .... **D7-02**  
 [52] U.S. Cl. .... **D7/124**  
 [58] Field of Search ..... D7/121-125, D7/129, 136; 219/443, 445, 446, 449, 450, 455, 458

[56] **References Cited**  
**U.S. PATENT DOCUMENTS**  
 D. 190,066 4/1961 Kamin ..... D7/121  
 D. 193,232 7/1962 Brown ..... D7/121

D. 205,820 9/1966 Ryan ..... D7/124 X  
 D. 249,863 10/1978 Fischer ..... D7/121

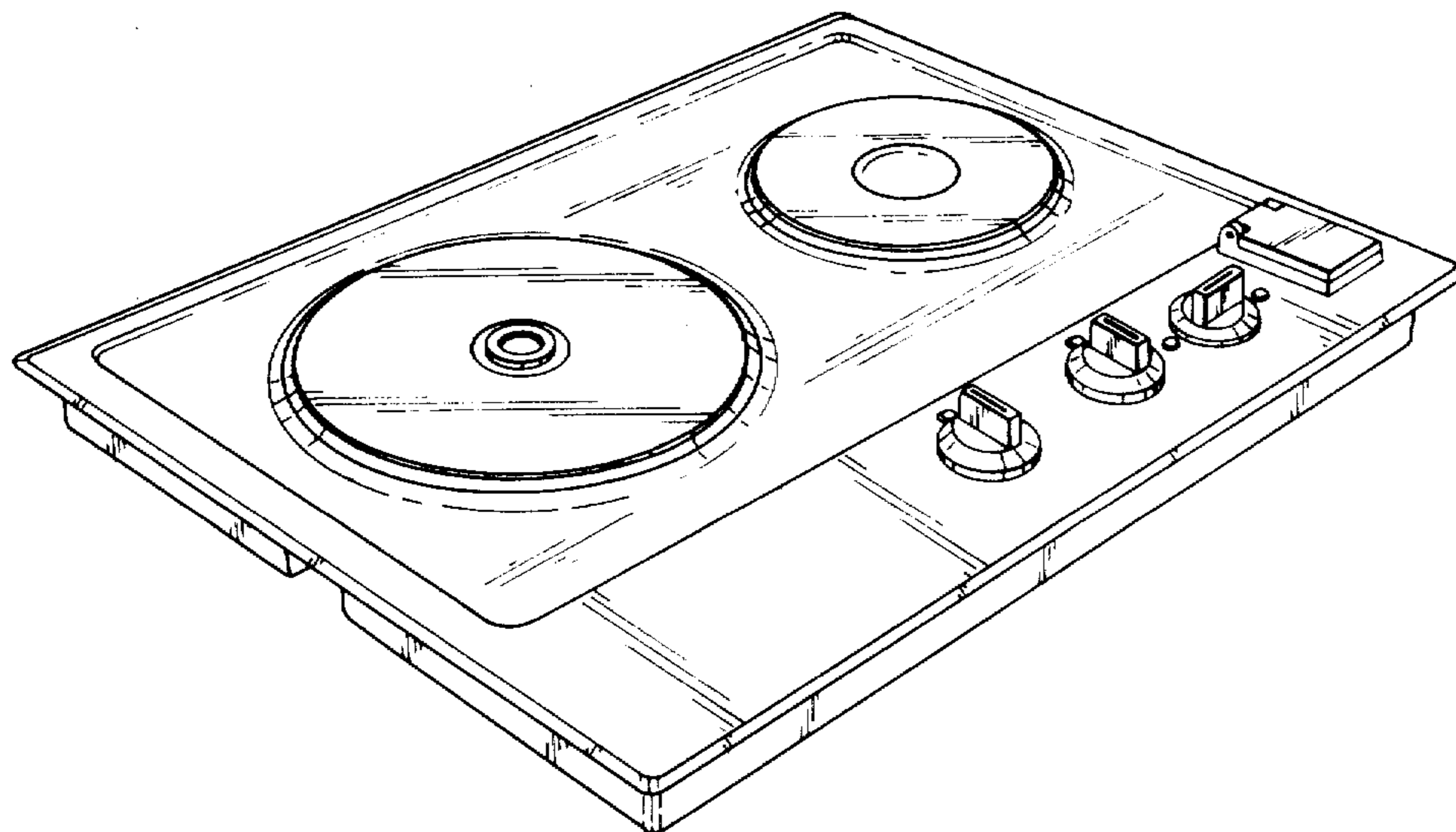
*Primary Examiner*—Catherine E. Kemper  
*Attorney, Agent, or Firm*—Steele, Gould & Fried

[57] **CLAIM**

The ornamental design for a cooking appliance, as shown and described.

**DESCRIPTION**

FIG. 1 is a top perspective view of a cooking appliance, showing my new design;  
 FIG. 2 is a top plan view thereof;  
 FIG. 3 is a side elevational view thereof;  
 FIG. 4 is an end elevational view thereof;  
 FIG. 5 is an elevational view of the opposite end thereof;  
 FIG. 6 is a rear elevational view thereof;  
 FIG. 7 is a bottom plan view thereof;  
 FIG. 8 is an enlarged fragmentary perspective view of the edge of the hot plate portion of the cooking appliance;  
 FIG. 9 is a top plan view of the entire hot plate portion;  
 FIG. 10 is a side elevational view of the hot plate portion.



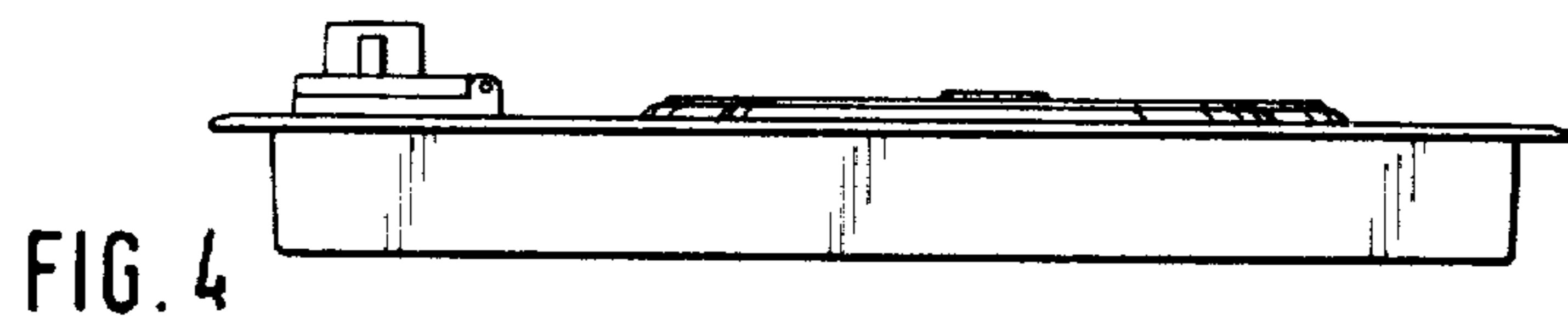
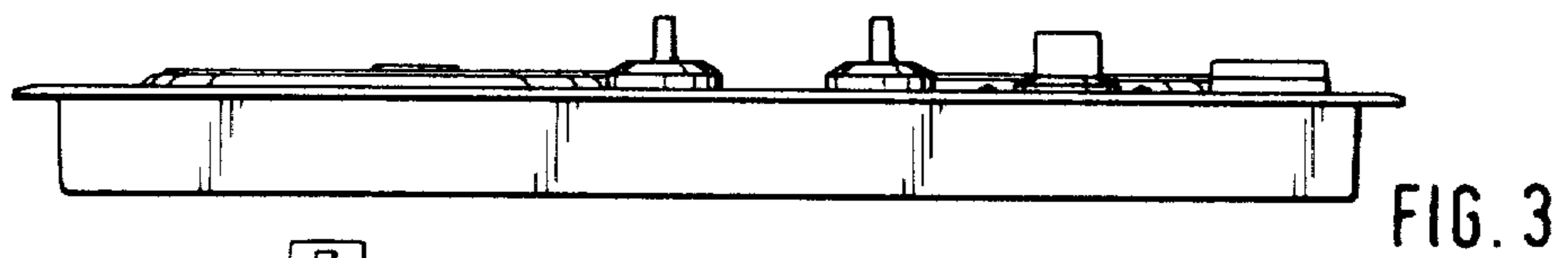
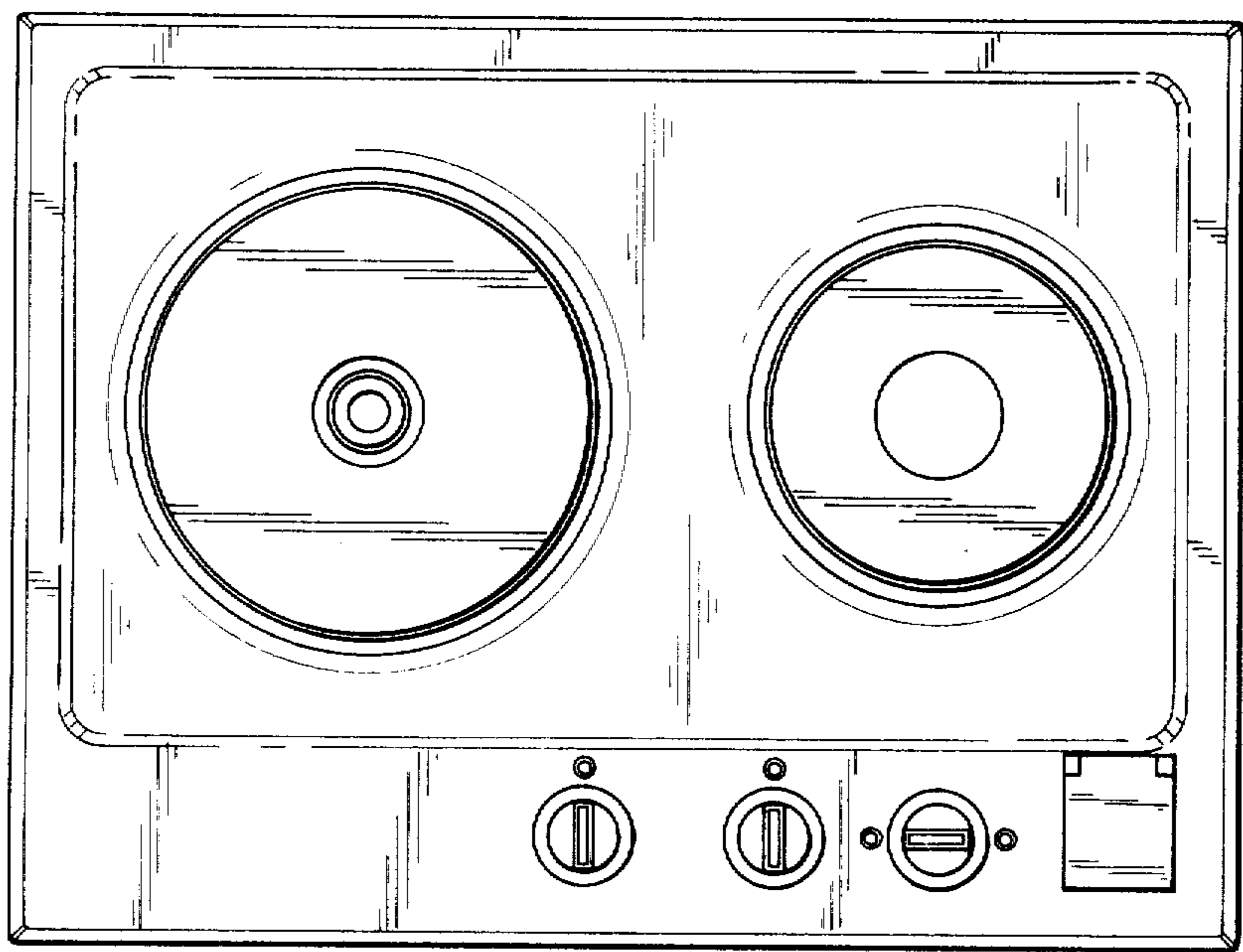
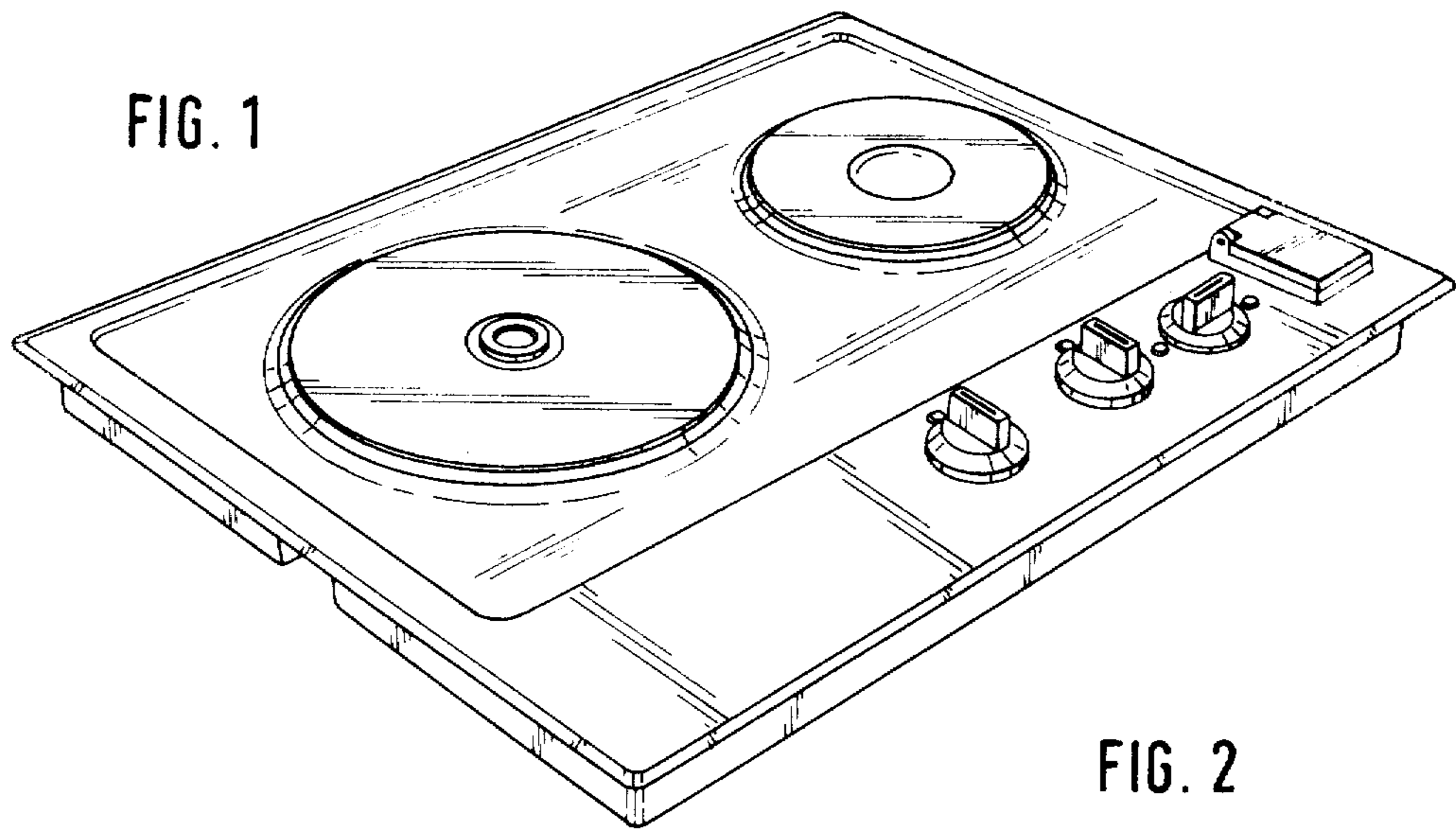


FIG. 5

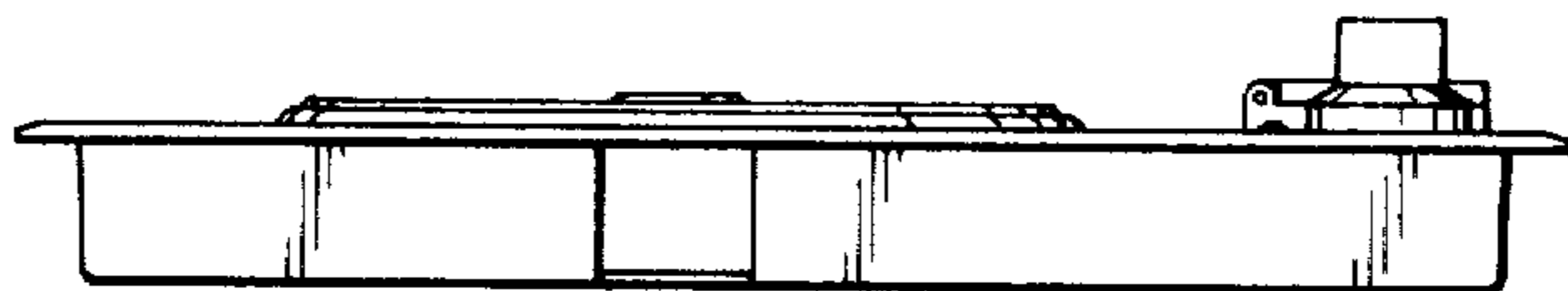


FIG. 6

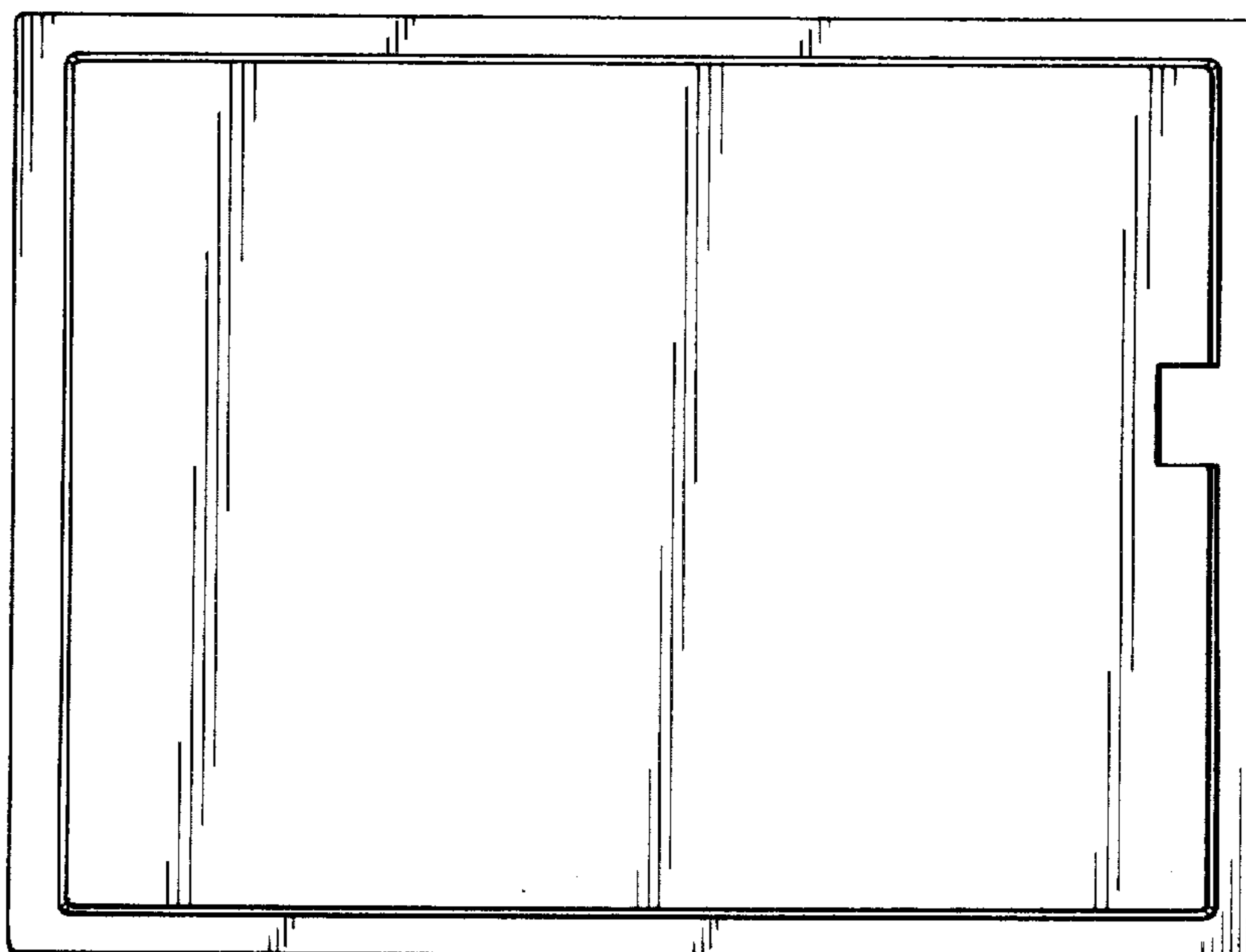
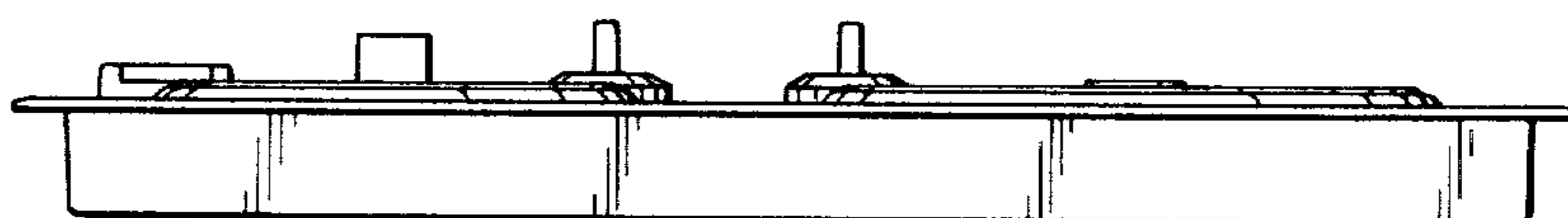


FIG. 7

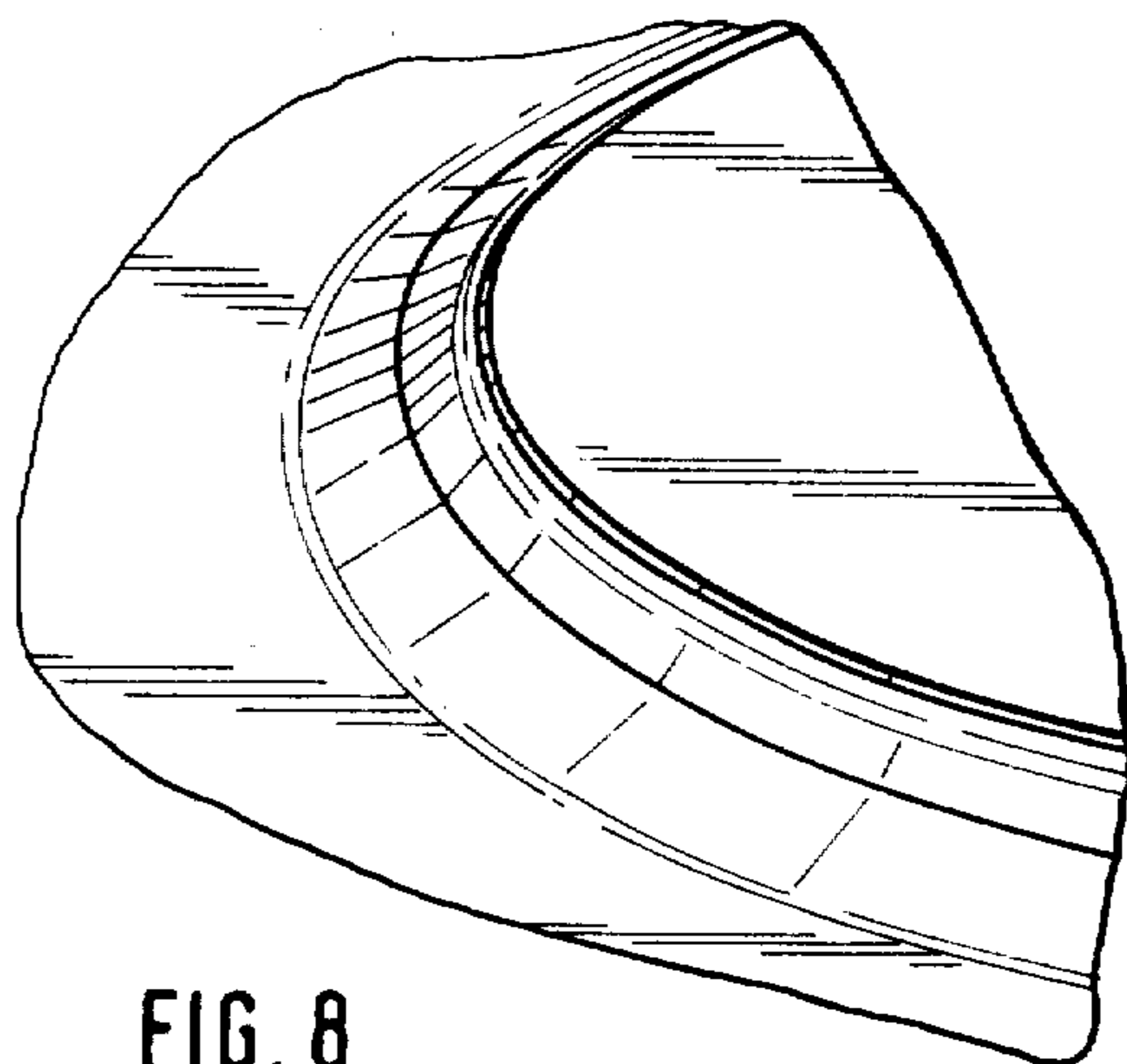


FIG. 8

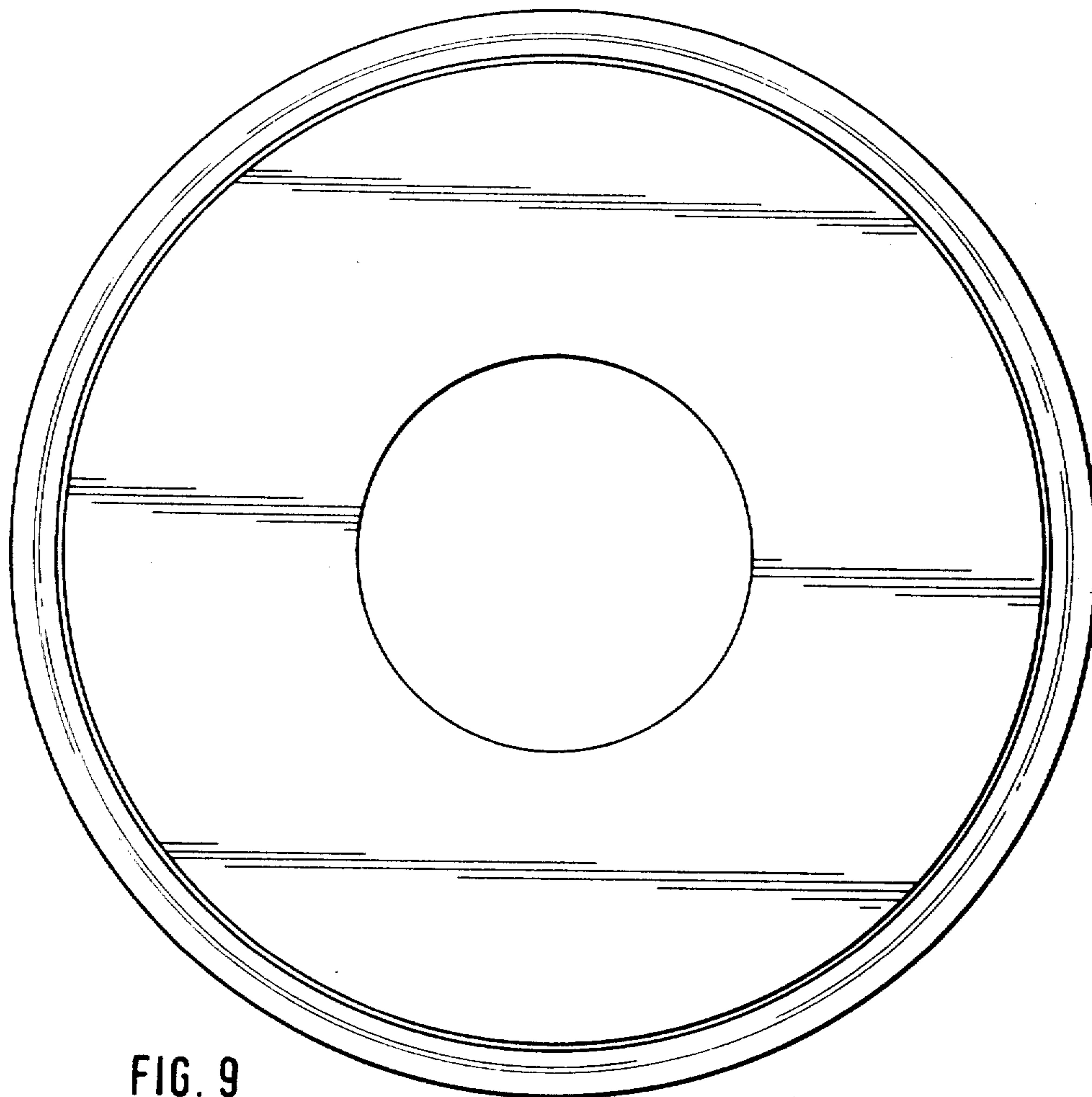


FIG. 9

FIG. 10

