

- [54] **SPRING CLIP**
- [75] Inventors: **Leonard Bisk, Elkins Park; Gunther Rogahn, Lansdale, both of Pa.**
- [73] Assignee: **Independent Products Company, Inc., Lansdale, Pa.**
- [\*\*] Term: **14 Years**
- [21] Appl. No.: **132,241**
- [22] Filed: **Mar. 20, 1980**
- [51] Int. Cl. .... **D6—08; D8—08; D7—05**
- [52] U.S. Cl. .... **D6/257; D6/253; D8/395; D32/65**
- [58] Field of Search ..... **D6/247-257; 223/85, 87, 88, 91-96; 24/137 A, 139, 252 R; D32/61, 65; D8/394, 395**

- 2,782,482 2/1957 Baril et al. .... 24/252 R
- 3,456,262 7/1969 Coon ..... 24/137 A
- 3,950,829 4/1976 Cohen ..... 223/91

*Primary Examiner*—B. J. Bullock  
*Attorney, Agent, or Firm*—Caesar, Rivise, Bernstein & Cohen, Ltd.

[57] **CLAIM**

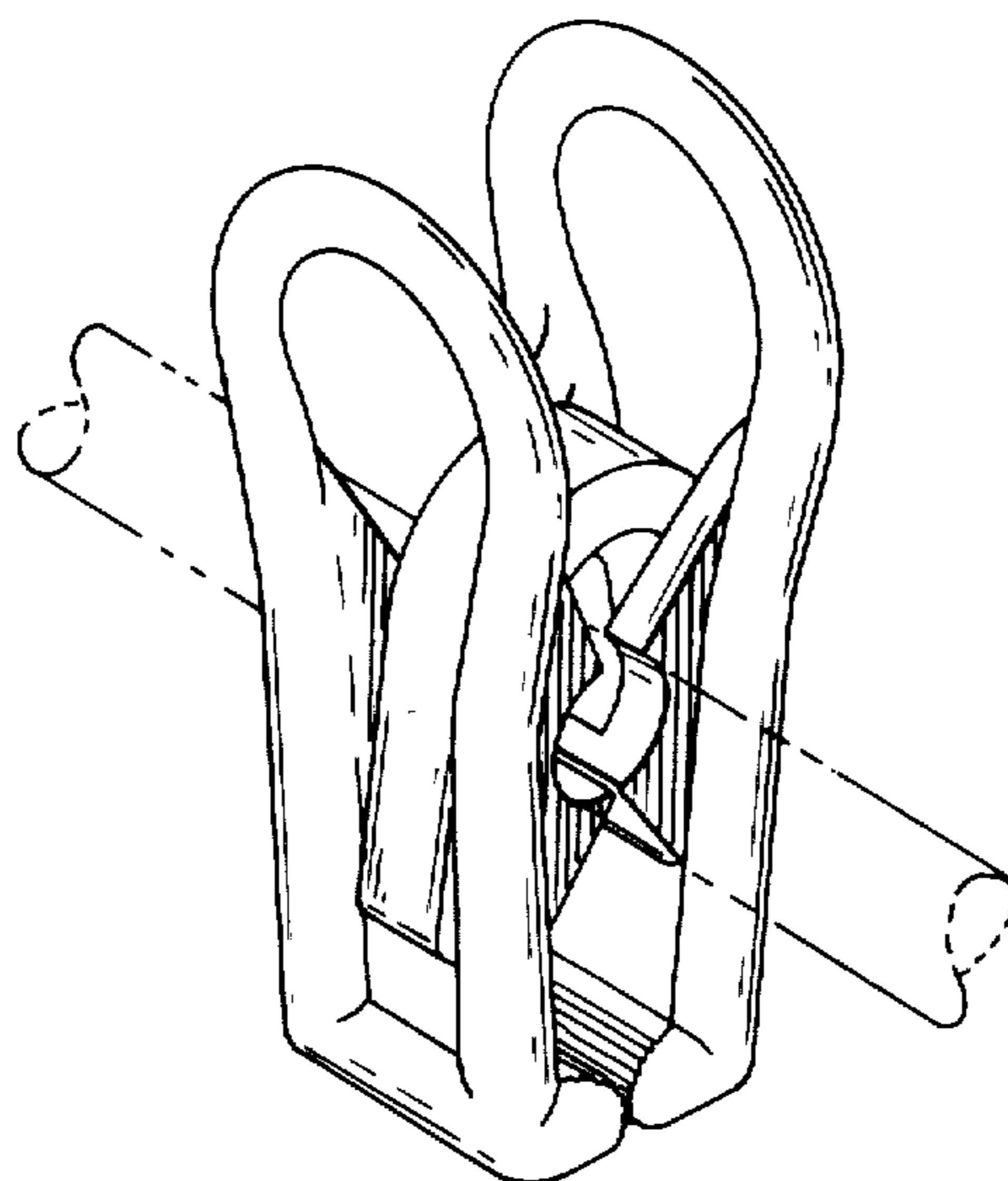
The ornamental design for a spring clip, substantially as shown and described.

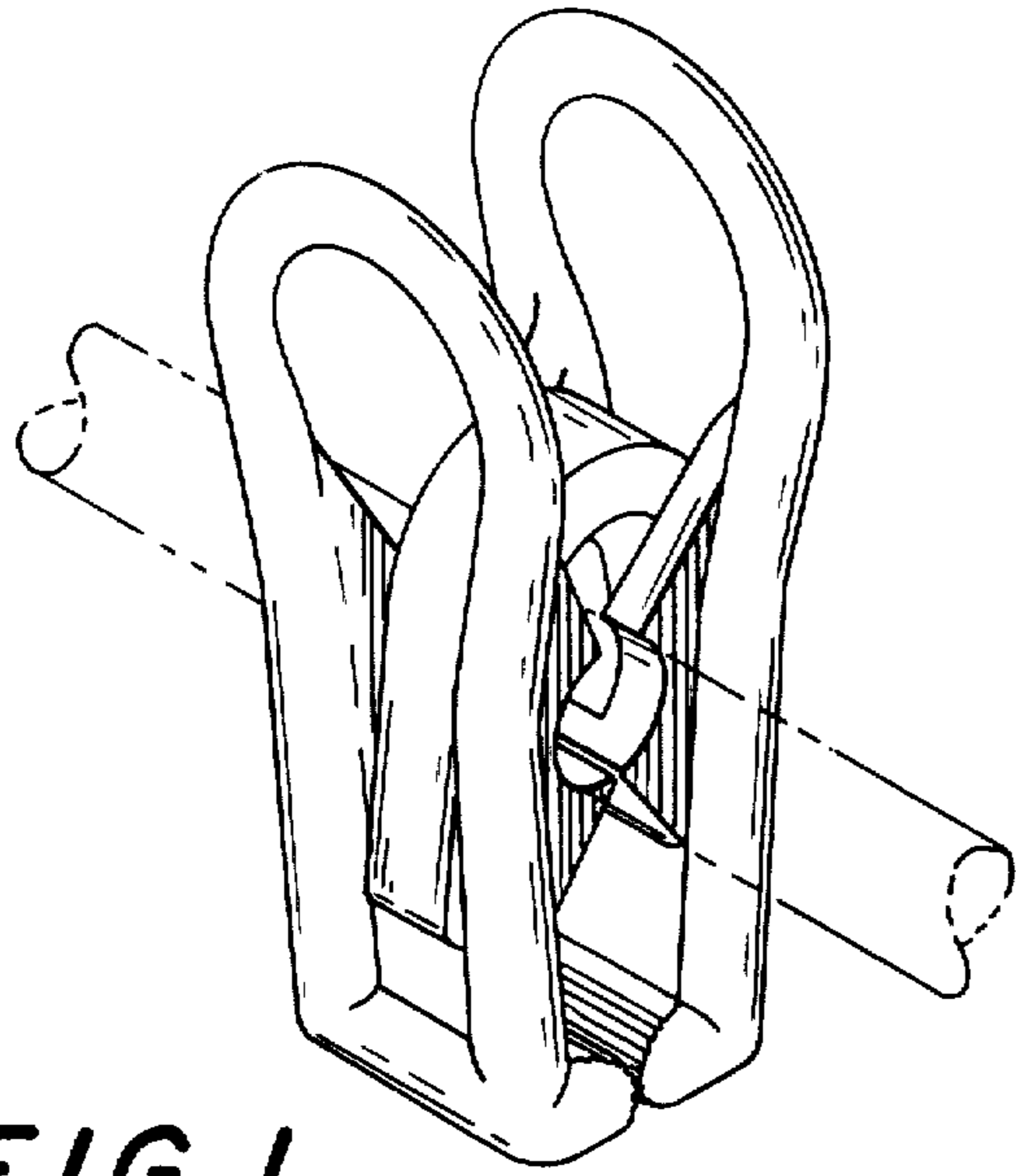
**DESCRIPTION**

FIG. 1 is a perspective view of a spring clip showing our new design; the broken line showing of a portion of a garment hanger being for illustrative purposes only; FIG. 2 is a front elevational view thereof; FIG. 3 is a side elevational view thereof; FIG. 4 is a top plan view thereof; FIG. 5 is a bottom plan view thereof; FIG. 6 is an exploded perspective view thereof; FIG. 7 is a side elevational view of the spring, shown separately for clarity of illustration; FIG. 8 is an end elevational view of FIG. 7; FIG. 9 is a top plan view of FIG. 7; FIG. 10 is a bottom plan view of FIG. 7.

[56] **References Cited**  
**U.S. PATENT DOCUMENTS**

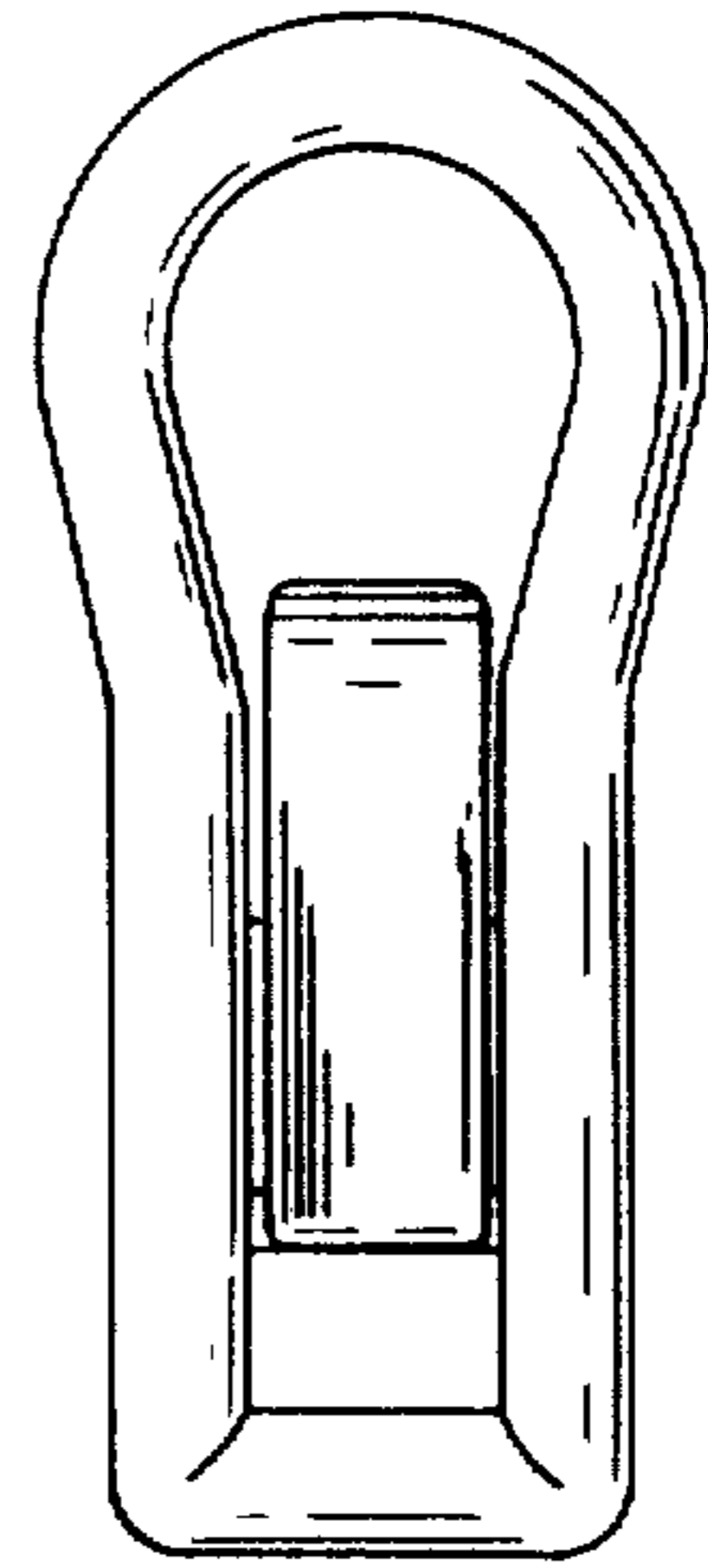
- D. 251,345 3/1979 Bigelow et al. .... D6/257
- 1,358,560 11/1920 Kennison ..... 24/252 R
- 2,569,371 9/1951 Cohen ..... 24/137 A



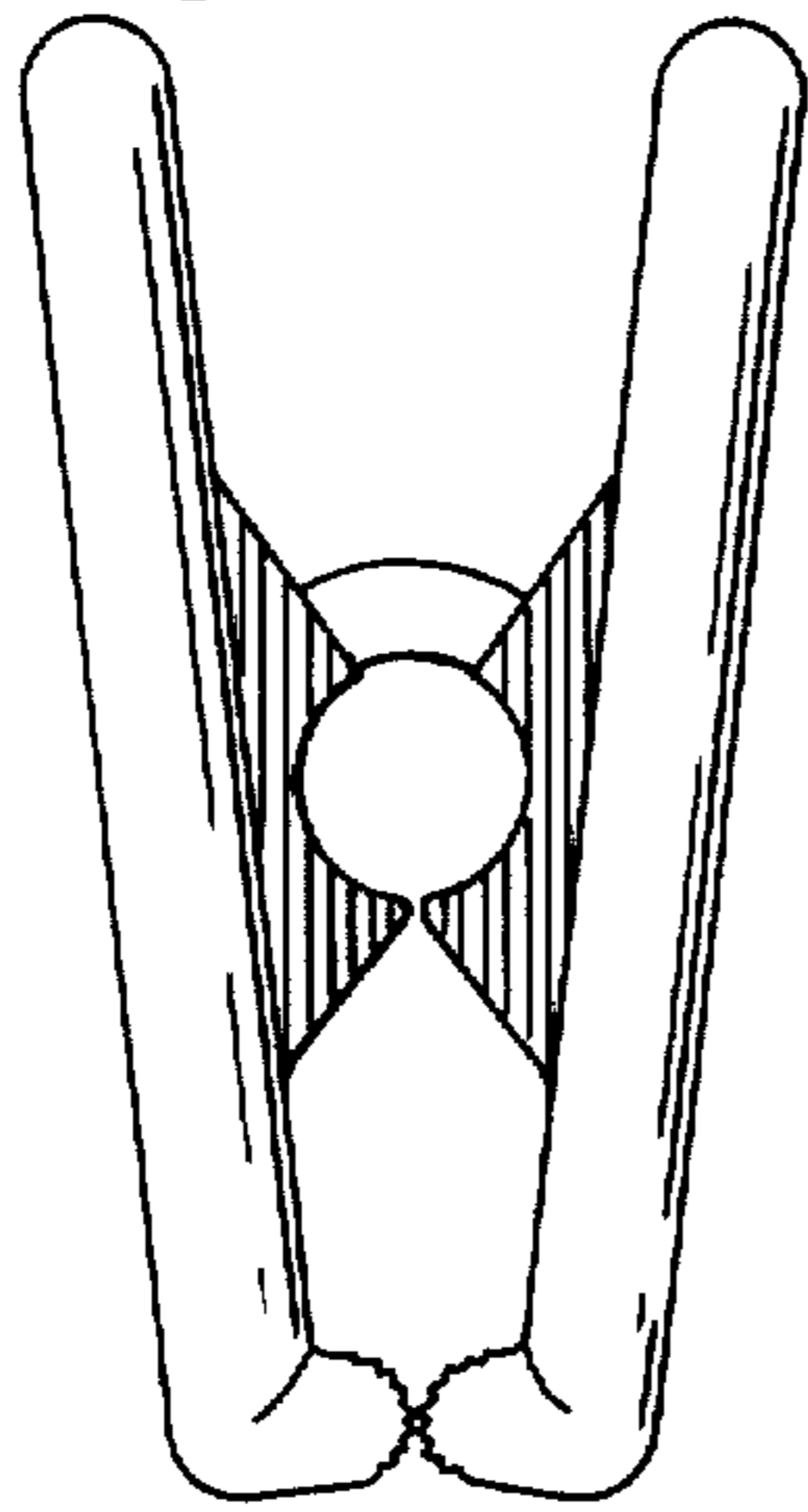


**FIG. 1**

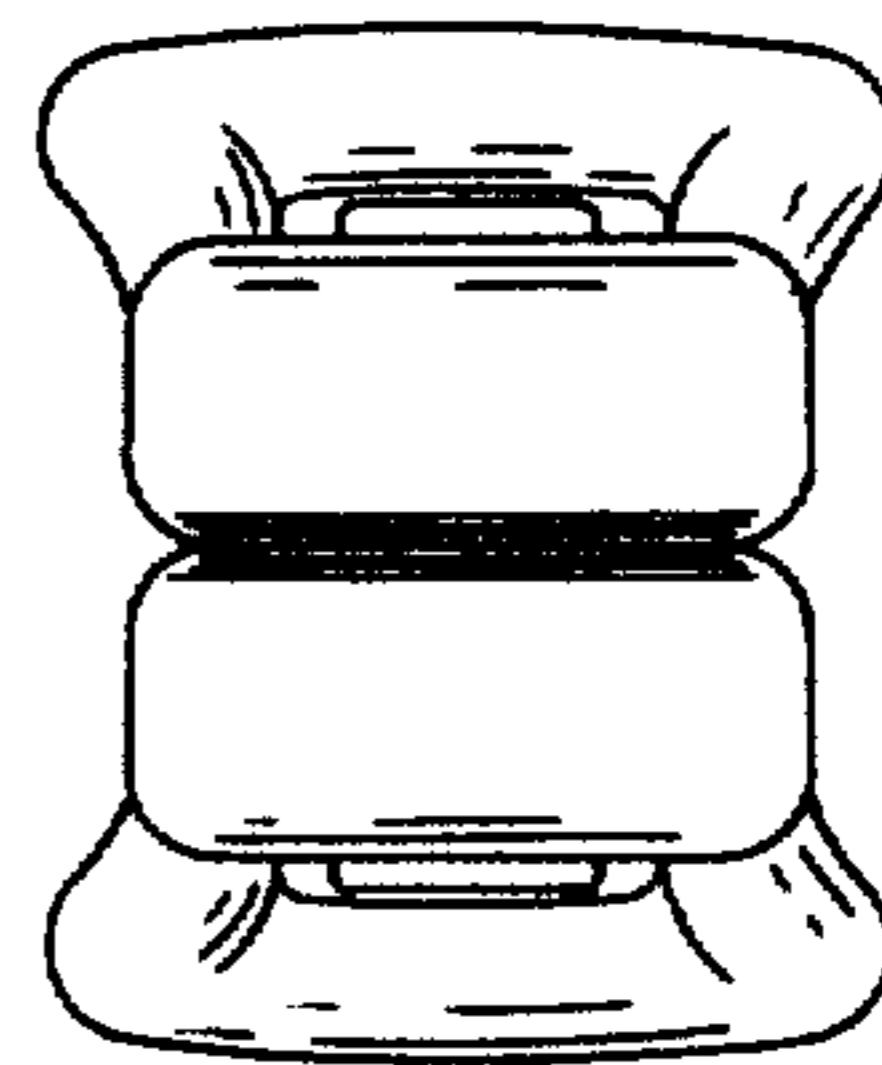
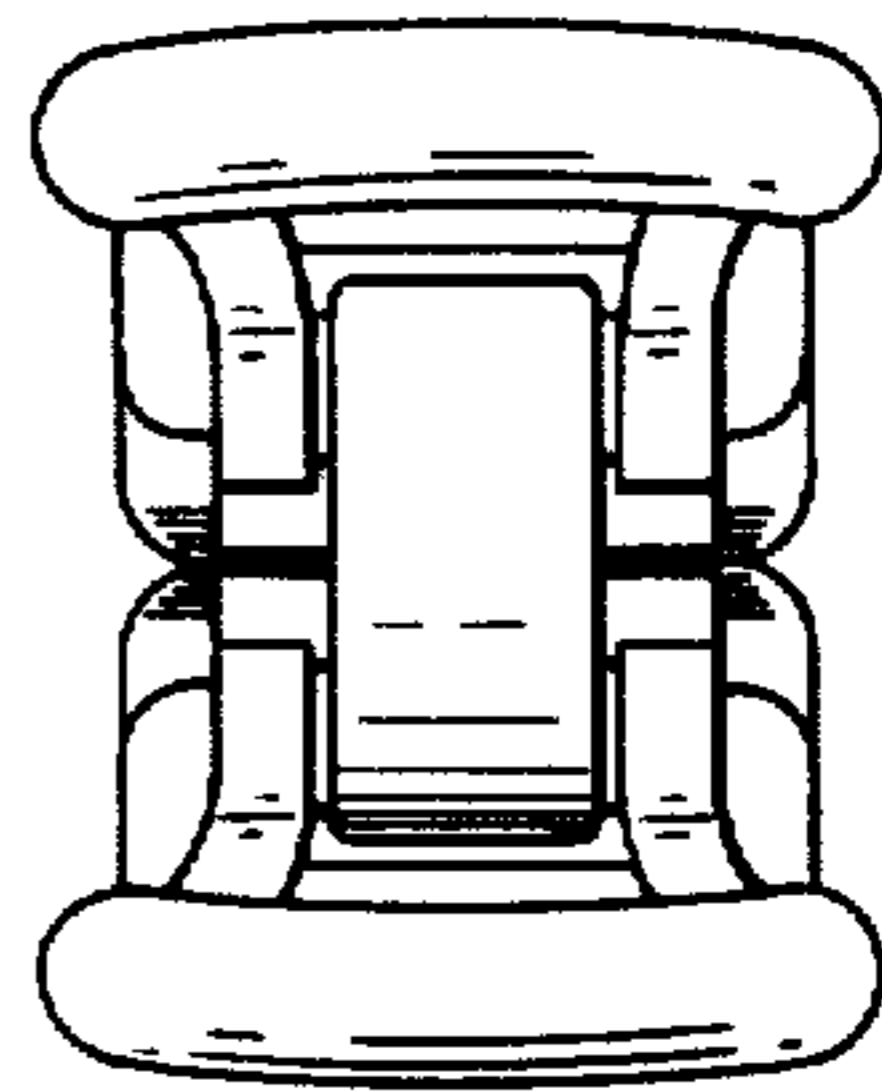
**FIG. 2**



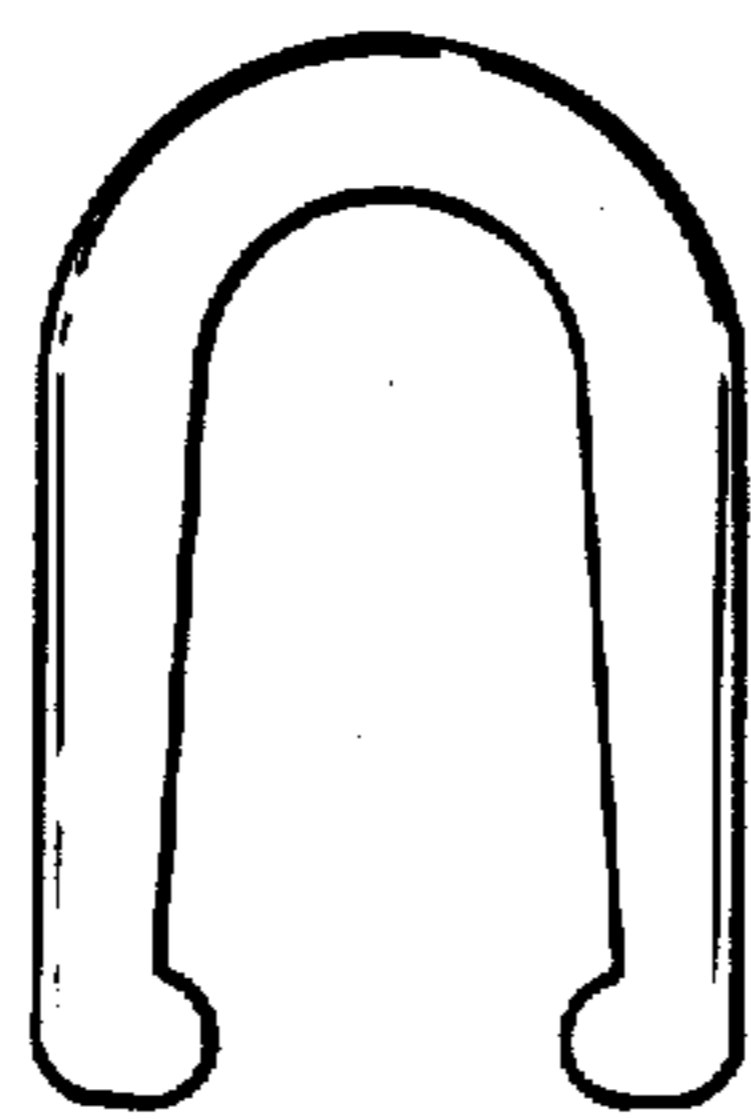
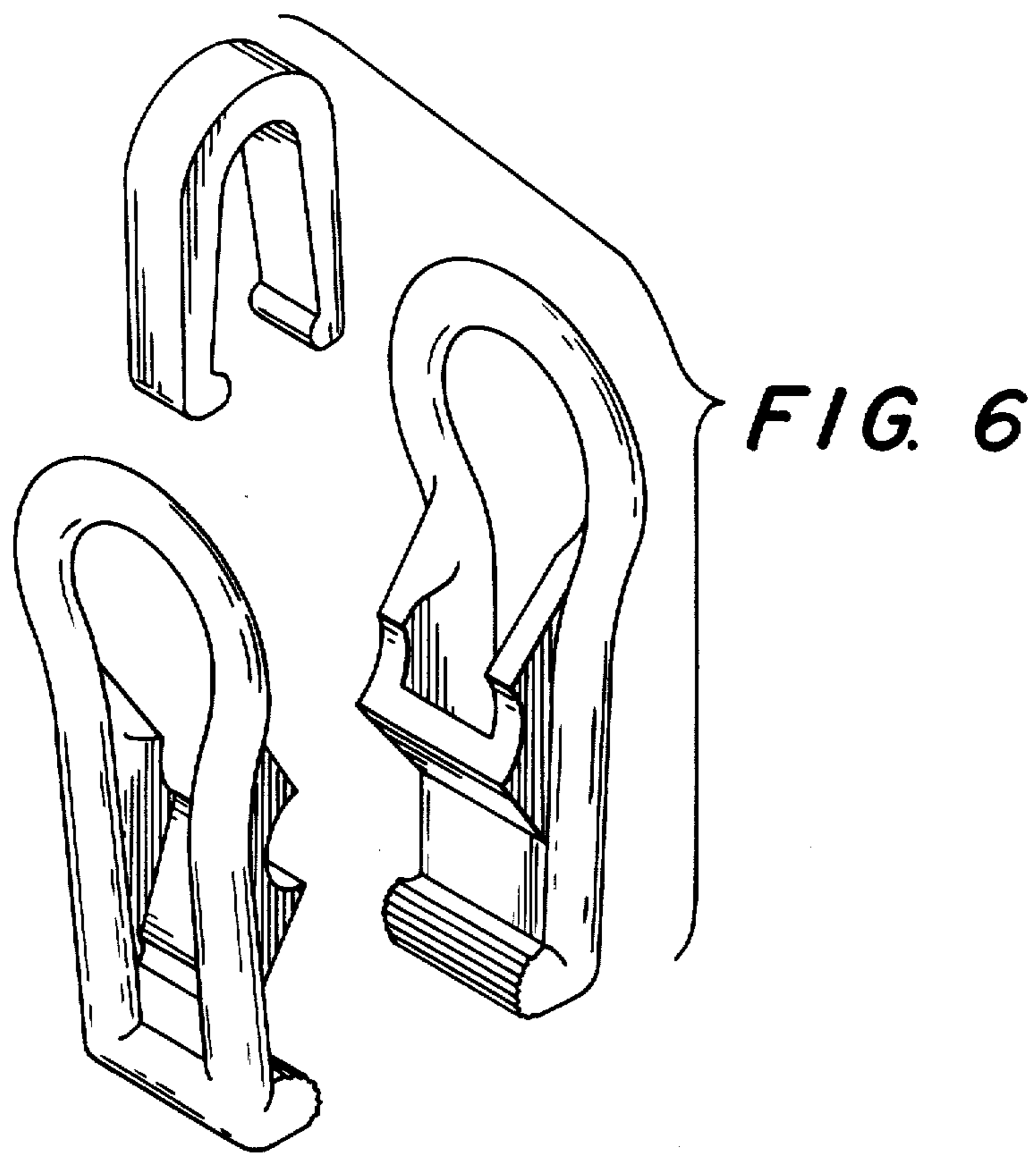
**FIG. 3**



**FIG. 4**



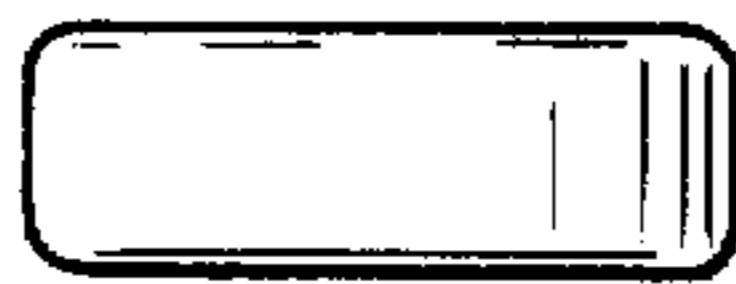
**FIG. 5**



*FIG. 7*



*FIG. 8*



*FIG. 9*



*FIG. 10*