

[54] DRAWER

[75] Inventors: Erich Röck; Josef Brunner, both of Höchst, Austria

[73] Assignee: Julius Blum Gesellschaft m.b.H., Höchst, Austria

[\*\*] Term: 14 Years

[21] Appl. No.: 157,110

[22] Filed: Jun. 6, 1980

[30] Foreign Application Priority Data

Dec. 12, 1979 [GB] United Kingdom ..... 992 705

[51] Int. Cl. .... D6-06

[52] U.S. Cl. .... D6/191

[58] Field of Search ..... D6/158-166, D6/191; 308/3.6, 3.8; 312/263, 330 R, 331, 335, 336, 338, 343, 344, 347

[56] References Cited

U.S. PATENT DOCUMENTS

D. 255,632	7/1980	Litchfield .....	D6/191
2,801,895	8/1957	Cass .....	211/186 X
3,650,592	3/1972	Williams .....	312/330

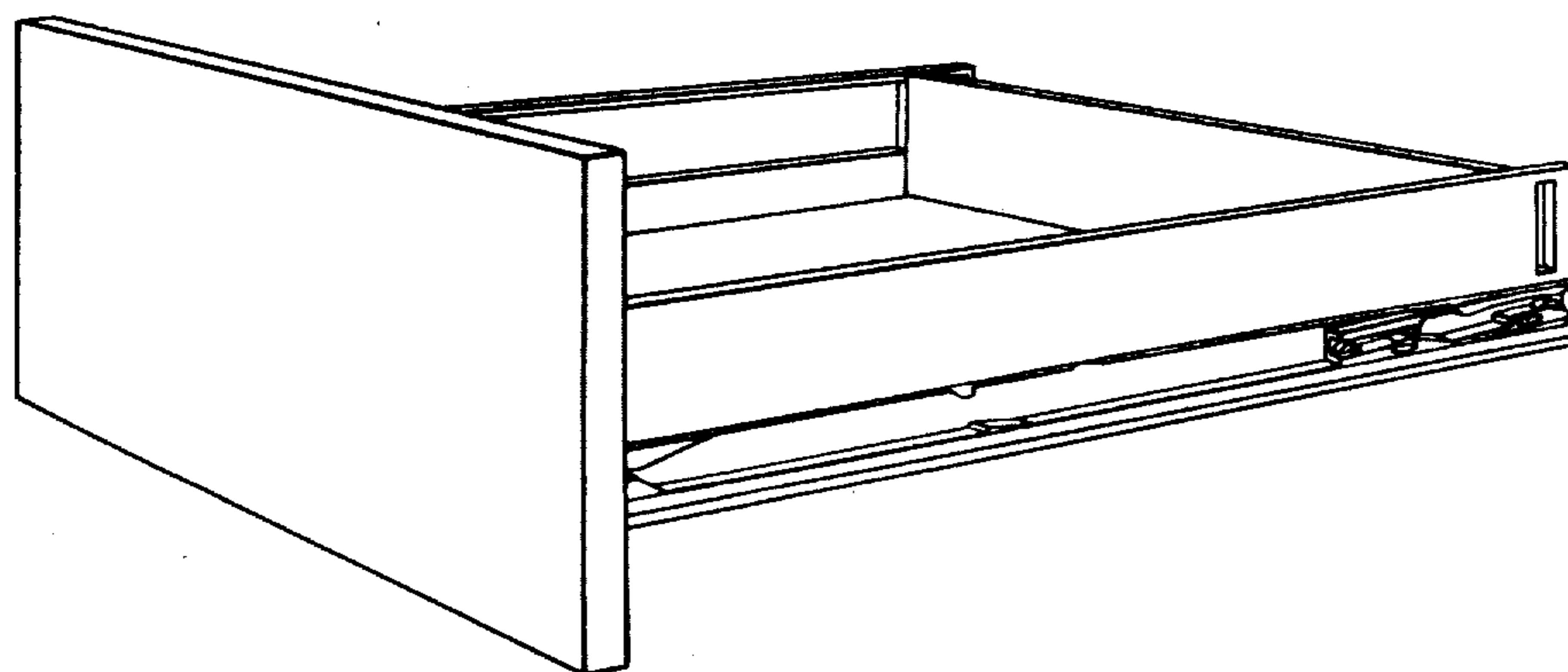
Primary Examiner—Leland A. Sebastian  
Attorney, Agent, or Firm—Wenderoth, Lind & Ponack

[57] CLAIM

The ornamental design for a drawer, substantially as shown and described.

DESCRIPTION

FIG. 1 is a left side elevational view of a drawer showing our new design;  
FIG. 2 is a top plan view thereof;  
FIG. 3 is a rear elevational view thereof;  
FIG. 4 is bottom plan view thereof;  
FIG. 5 is a top right perspective view thereof; and  
FIG. 6 is an enlarged fragmentary section on line 6-6 of FIG. 1.



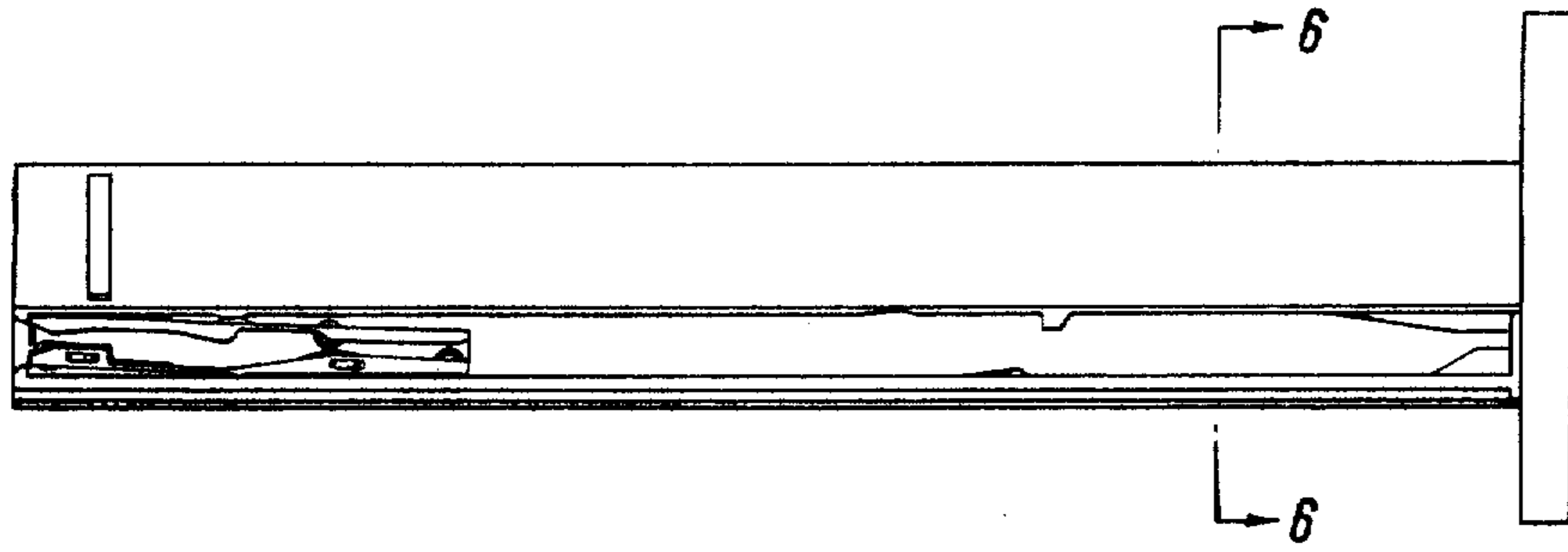


FIG. 1.

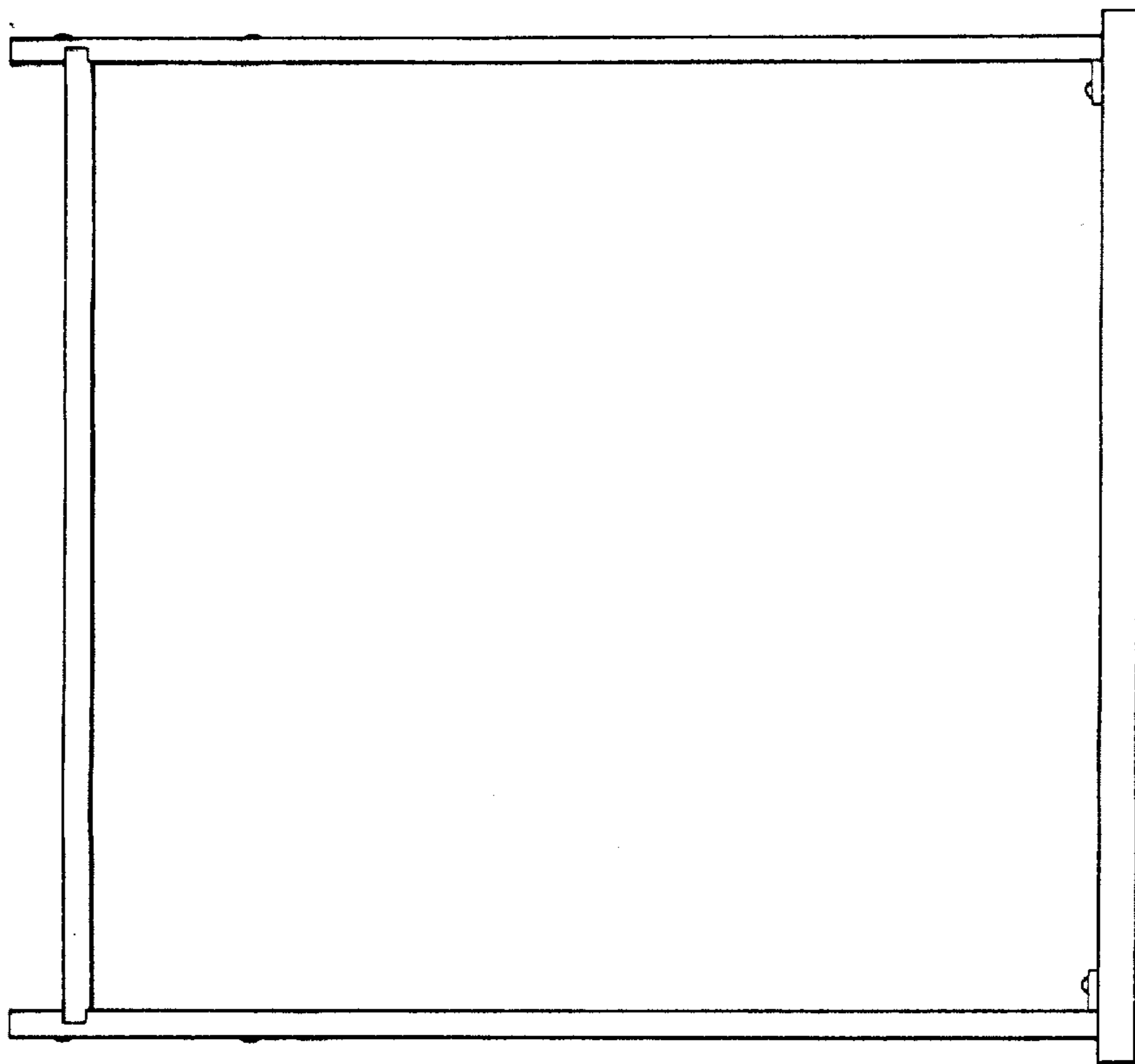


FIG. 2.

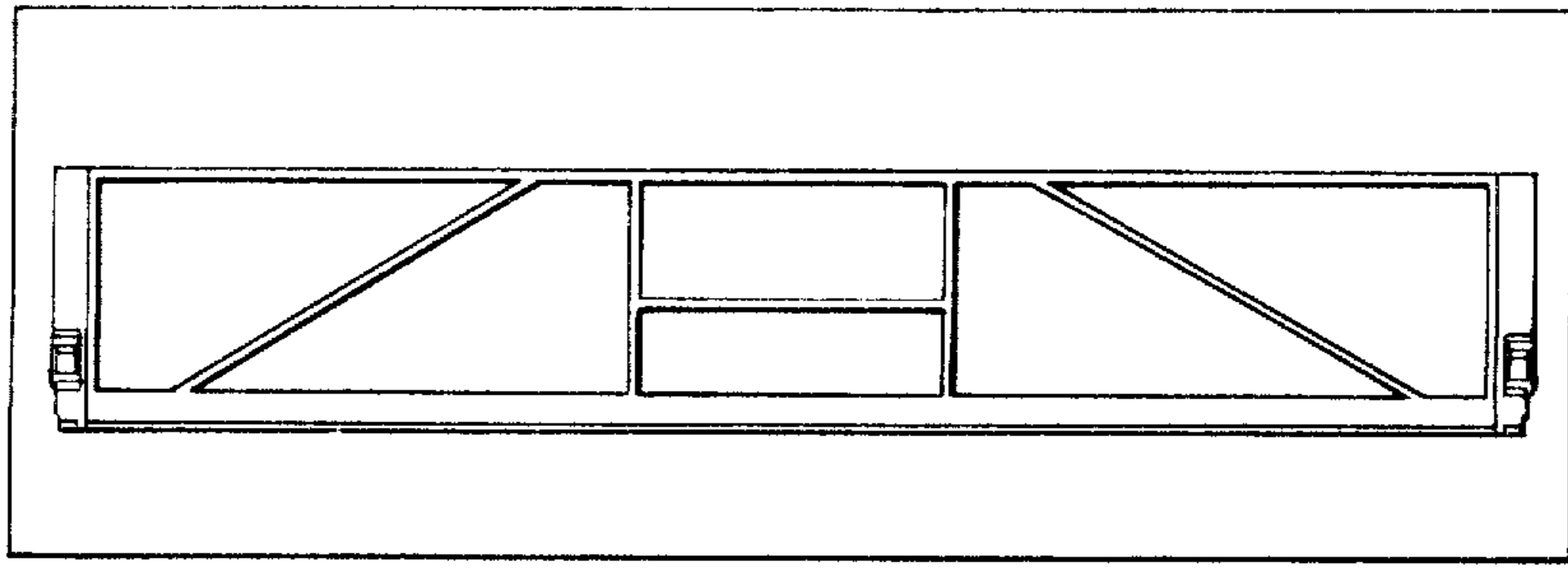


FIG. 3.

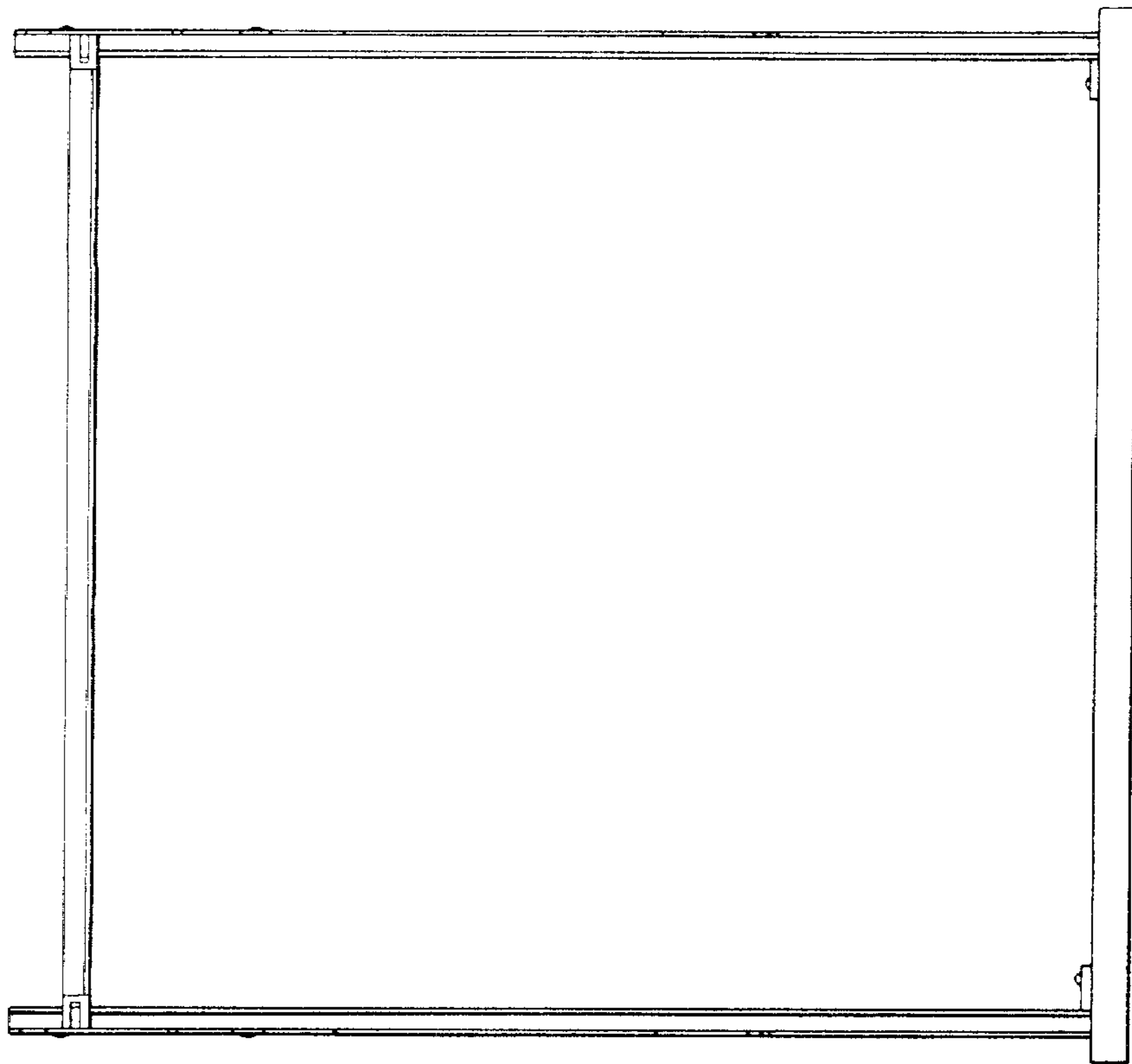


FIG. 4.

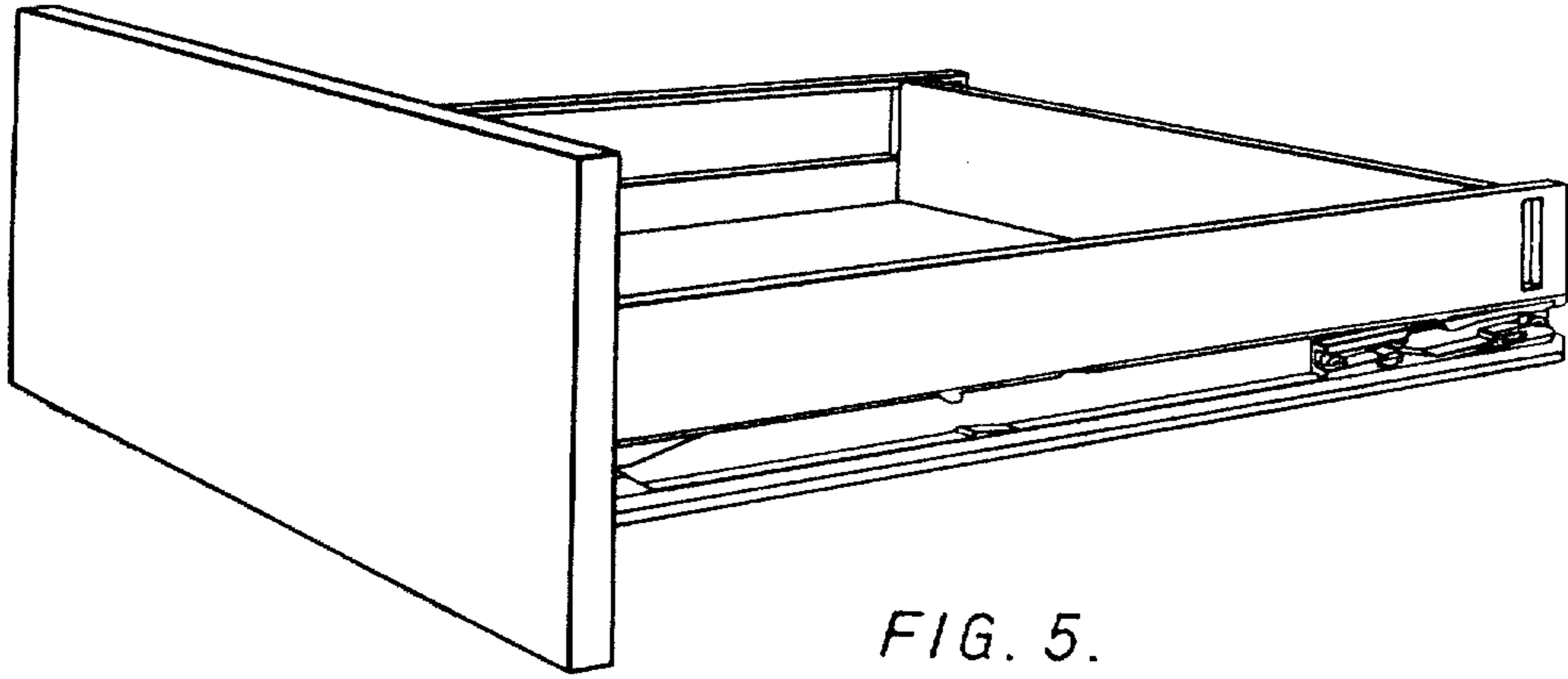
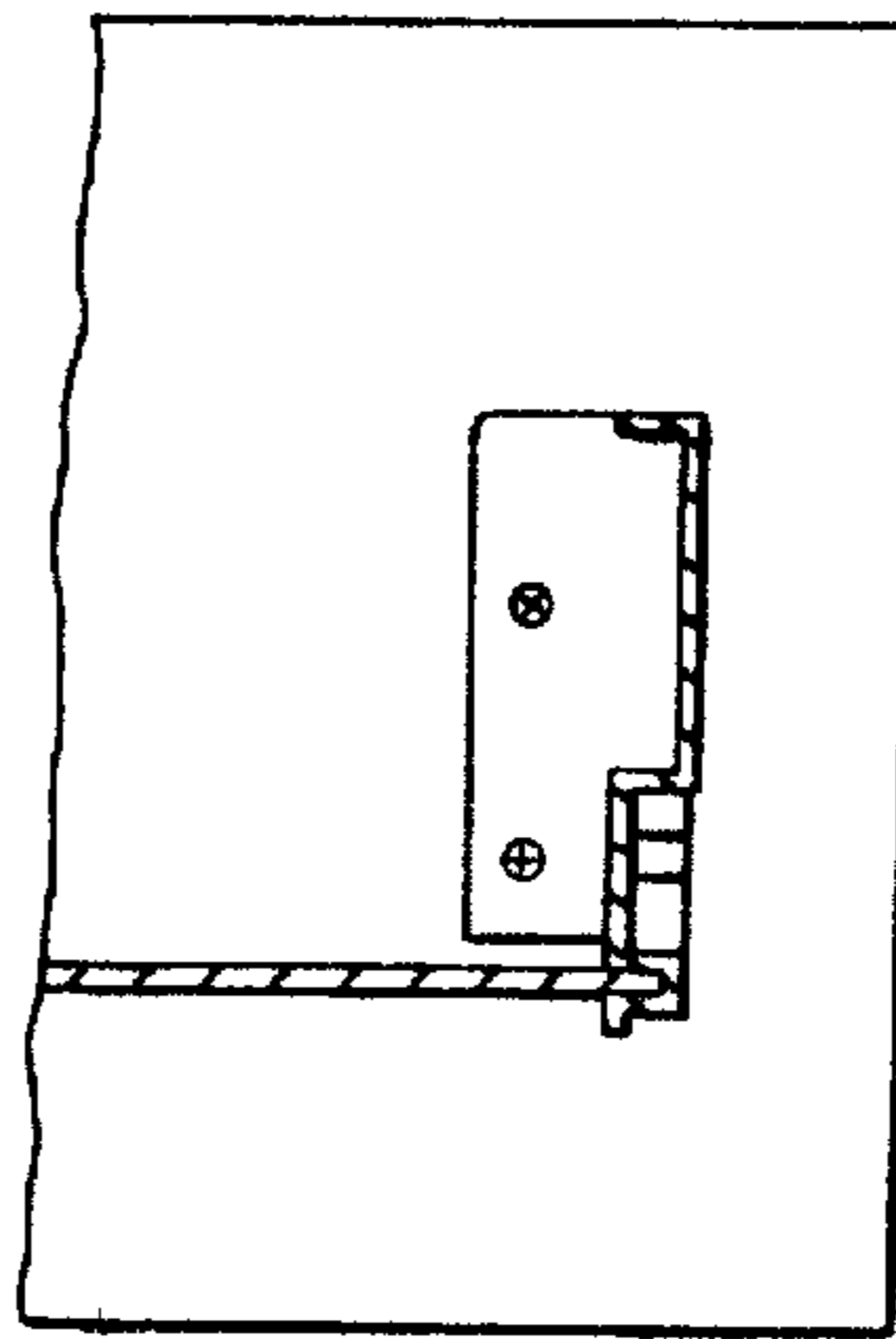


FIG. 5.

FIG. 6.



UNITED STATES PATENT AND TRADEMARK OFFICE  
**CERTIFICATE OF CORRECTION**

PATENT NO. : Des. 264,660  
DATED : June 1, 1982  
INVENTOR(S) : ERICH RÖCK ET AL.

It is certified that error appears in the above-identified patent and that said Letters Patent are hereby corrected as shown below:

On the title page, section "[30]", the second line,  
correct to read --December 6, 1979 [GB] United Kingdom...

992 705 --

**Signed and Sealed this**

*Twenty-second* **Day of** *March 1983*

[SEAL]

*Attest:*

**GERALD J. MOSSINGHOFF**

*Attesting Officer*

*Commissioner of Patents and Trademarks*