

[54] CABINET

[75] Inventor: Carl H. Oscarson, Riverwoods, Ill.

[73] Assignee: Pace Industries Inc., Chicago, Ill.

[\*\*] Term: 3½ Years

[21] Appl. No.: 110,336

[22] Filed: Jan. 7, 1980

[51] Int. Cl. .... D06-04

[52] U.S. Cl. .... D6/168

[58] Field of Search ..... D6/167, 168, 169, 172, D6/181, 186, 158, 159, 164, 165, 166; 312/107, 108, 109, 111, 140.1, 140.2, 140.3, 253; D14/18, 33, 34

[56] References Cited

U.S. PATENT DOCUMENTS

- D. 113,012 1/1939 Morgan ..... D6/158
- D. 197,723 3/1964 Mager ..... D6/159
- D. 207,226 3/1967 Fries et al. .... D6/181
- D. 229,141 11/1973 Peckenpaugh ..... D6/164 X

- D. 237,415 10/1975 Davis ..... D14/18
- D. 240,987 8/1976 De Lucia ..... D6/167 X
- 3,748,009 7/1973 Stone ..... D6/167 X

OTHER PUBLICATIONS

*J. C. Penney* Fall and Winter 1976; p. 1038, "Vanity Base-A", Early-American Style; top left of page.

*Primary Examiner*—Joel Stearman  
*Assistant Examiner*—Carmen H. Vales  
*Attorney, Agent, or Firm*—William A. Snow

[57] CLAIM

The ornamental design for cabinet, as shown and described.

DESCRIPTION

FIG. 1 is a perspective view of a cabinet showing my new design;

FIG. 2 is a front elevational view thereof; and

FIG. 3 is a top plan view thereof.

The bottom view of the cabinet is plain and unornamented.

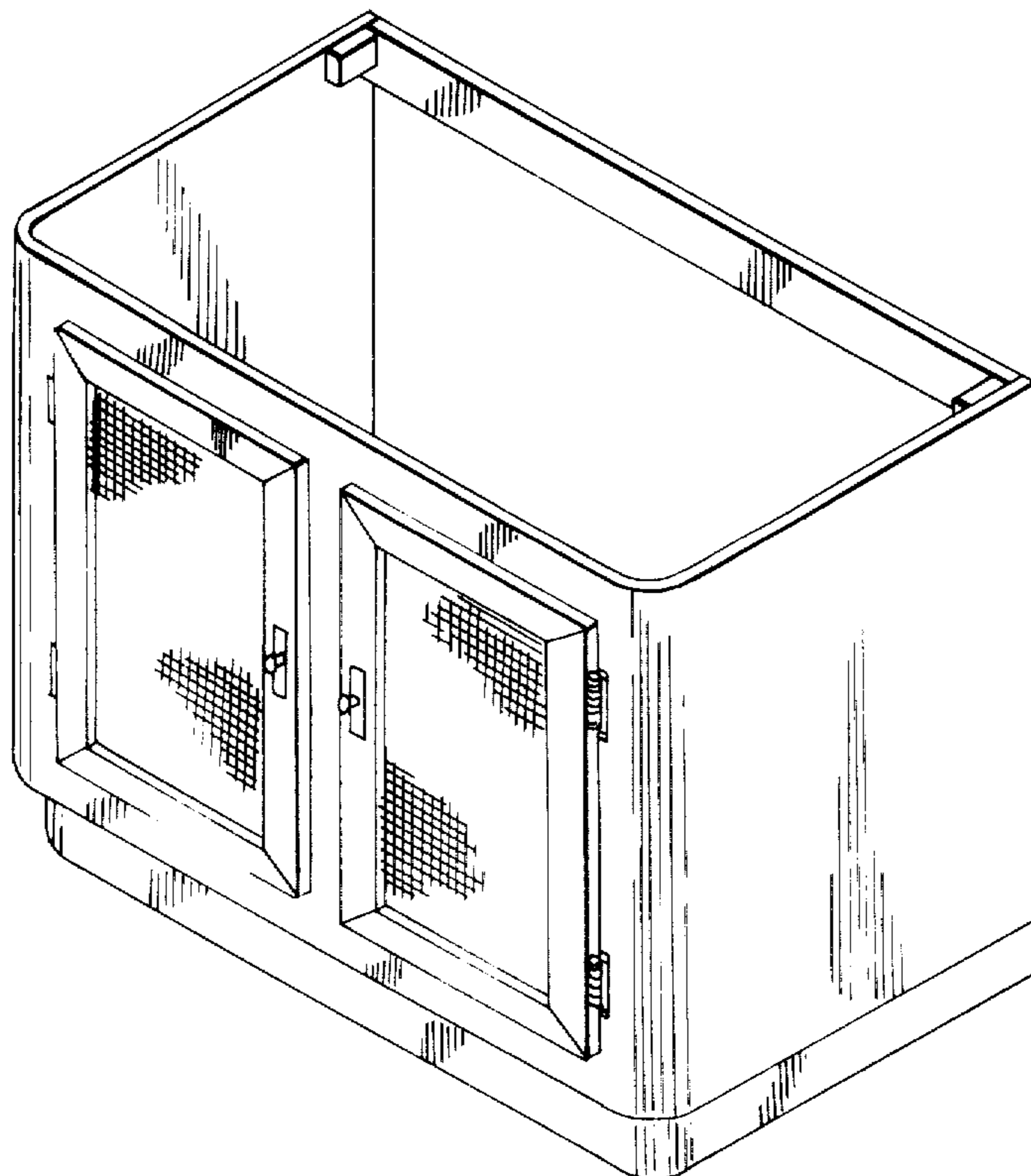


FIG. 1

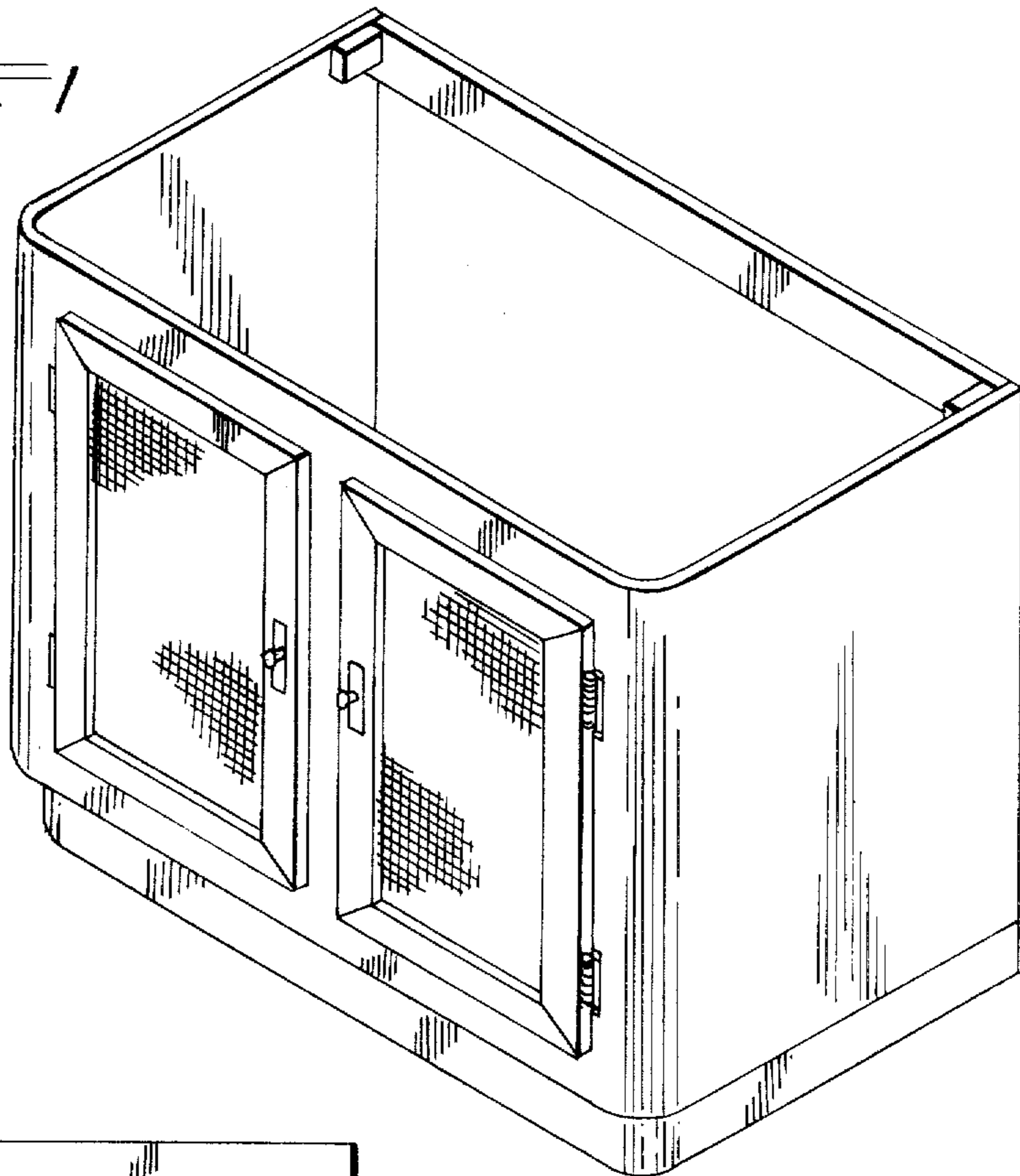


FIG. 2

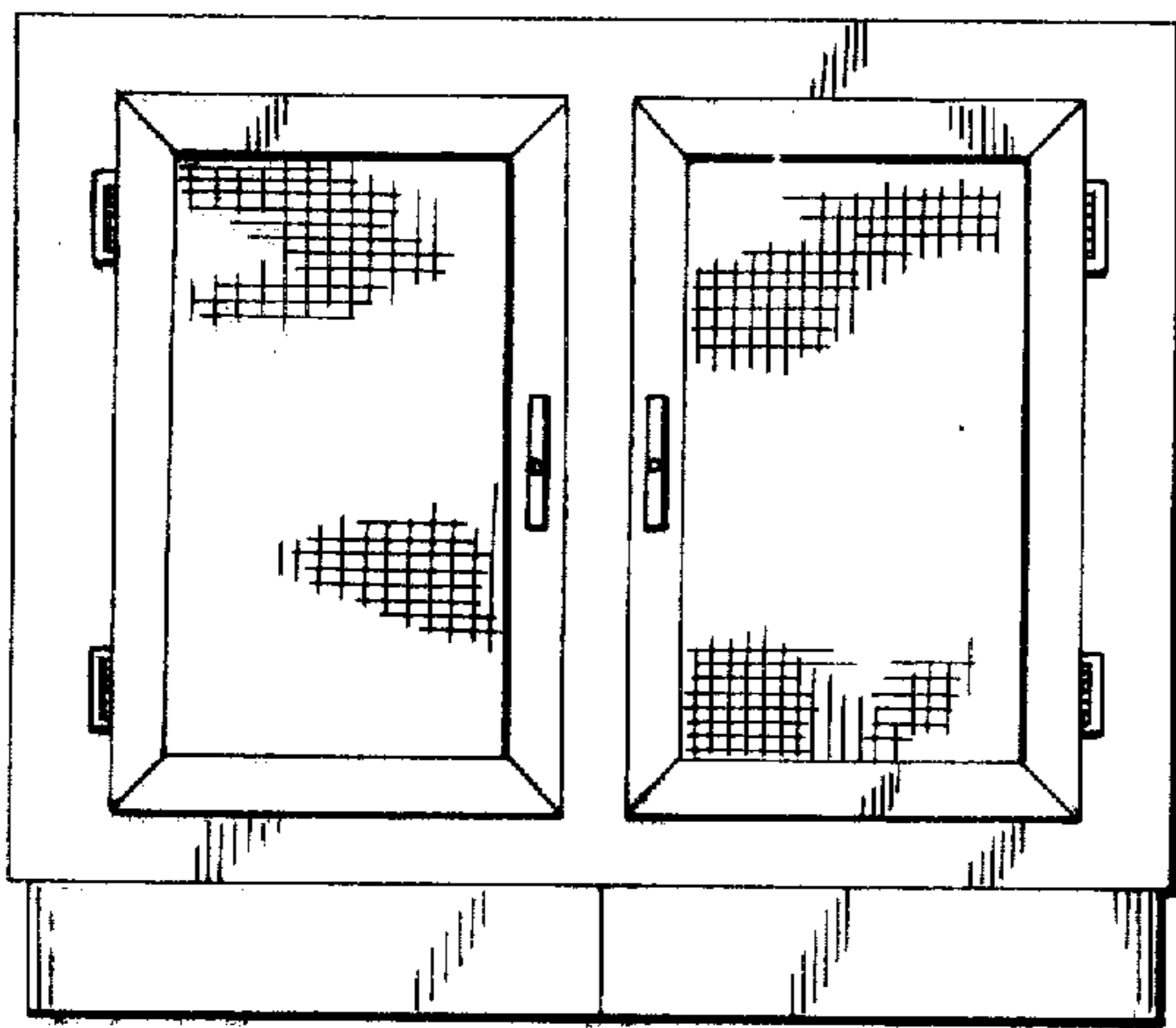


FIG. 3

