

[54] **CHECKOUT COUNTER**

[75] Inventors: **Marinus J. M. Langen**, Rexdale;
Edgars H. Strauss, Toronto, both of
Canada

[73] Assignee: **H. J. Langen & Sons Limited**,
Rexdale, Canada

[**] Term: **14 Years**

[21] Appl. No.: **28,519**

[22] Filed: **Apr. 9, 1979**

[51] Int. Cl. **D6-03**
[52] U.S. Cl. **D6/143**
[58] Field of Search **D6/143, 186;**
186/59-68; 312/140.1

[56] **References Cited**

U.S. PATENT DOCUMENTS

D. 189,773	2/1961	Larson	D6/143
D. 216,232	12/1969	Stackhouse	D6/143
D. 241,996	10/1976	Fenwick	D6/143
3,960,420	6/1976	Speraw et al.	D6/143
3,990,540	11/1976	Aleshire et al.	186/61

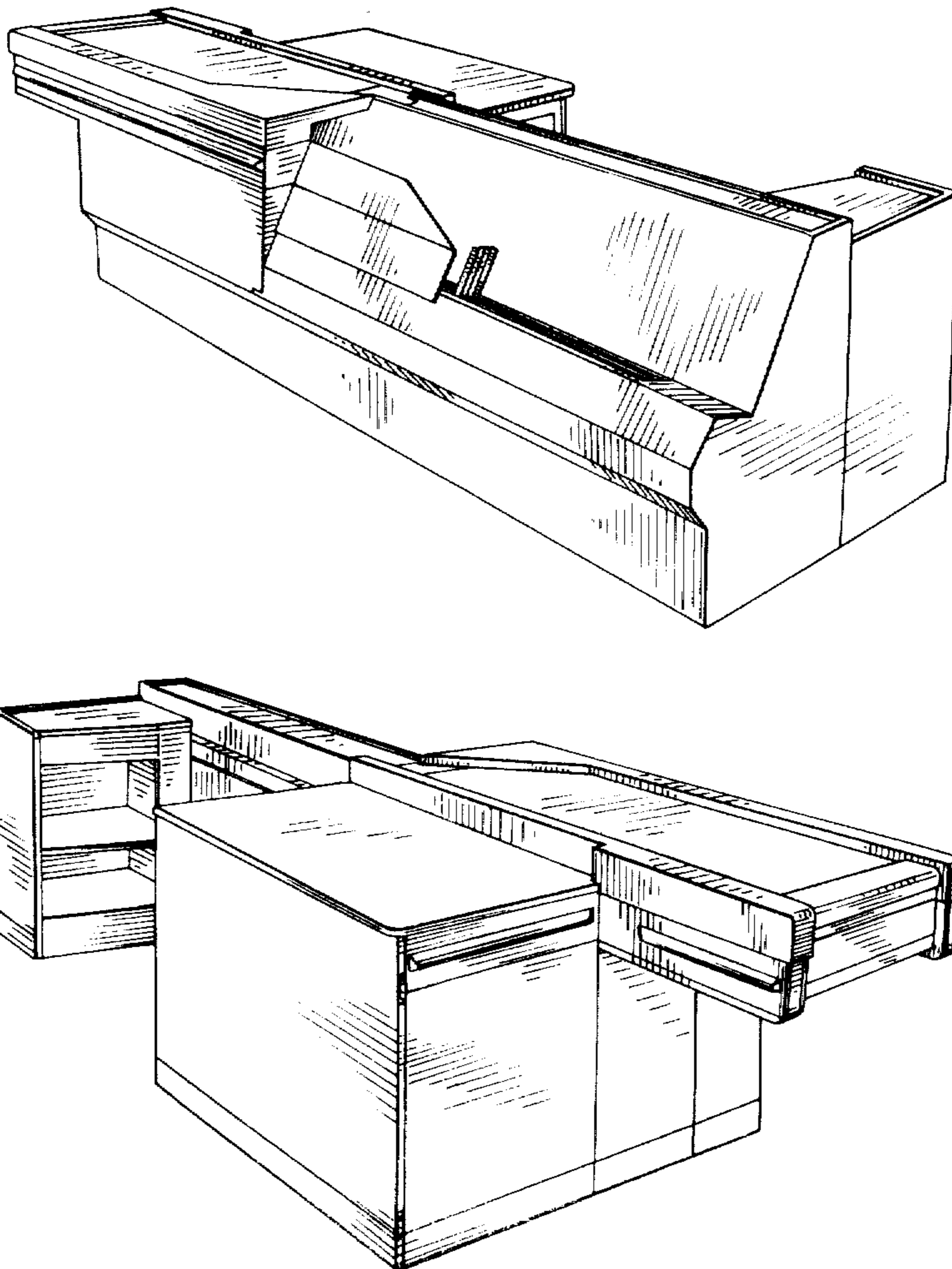
Primary Examiner—**B. J. Bullock**
Attorney, Agent, or Firm—**Fetherstonhaugh & Co.**

[57] **CLAIM**

The ornamental design for a checkout counter, as shown and described.

DESCRIPTION

FIG. 1 is a front perspective view of a checkout counter showing our new design;
FIG. 2 is a rear perspective view thereof;
FIG. 3 is a rear perspective view showing the end opposite that shown in FIG. 2;
FIG. 4 is a top plan view thereof.



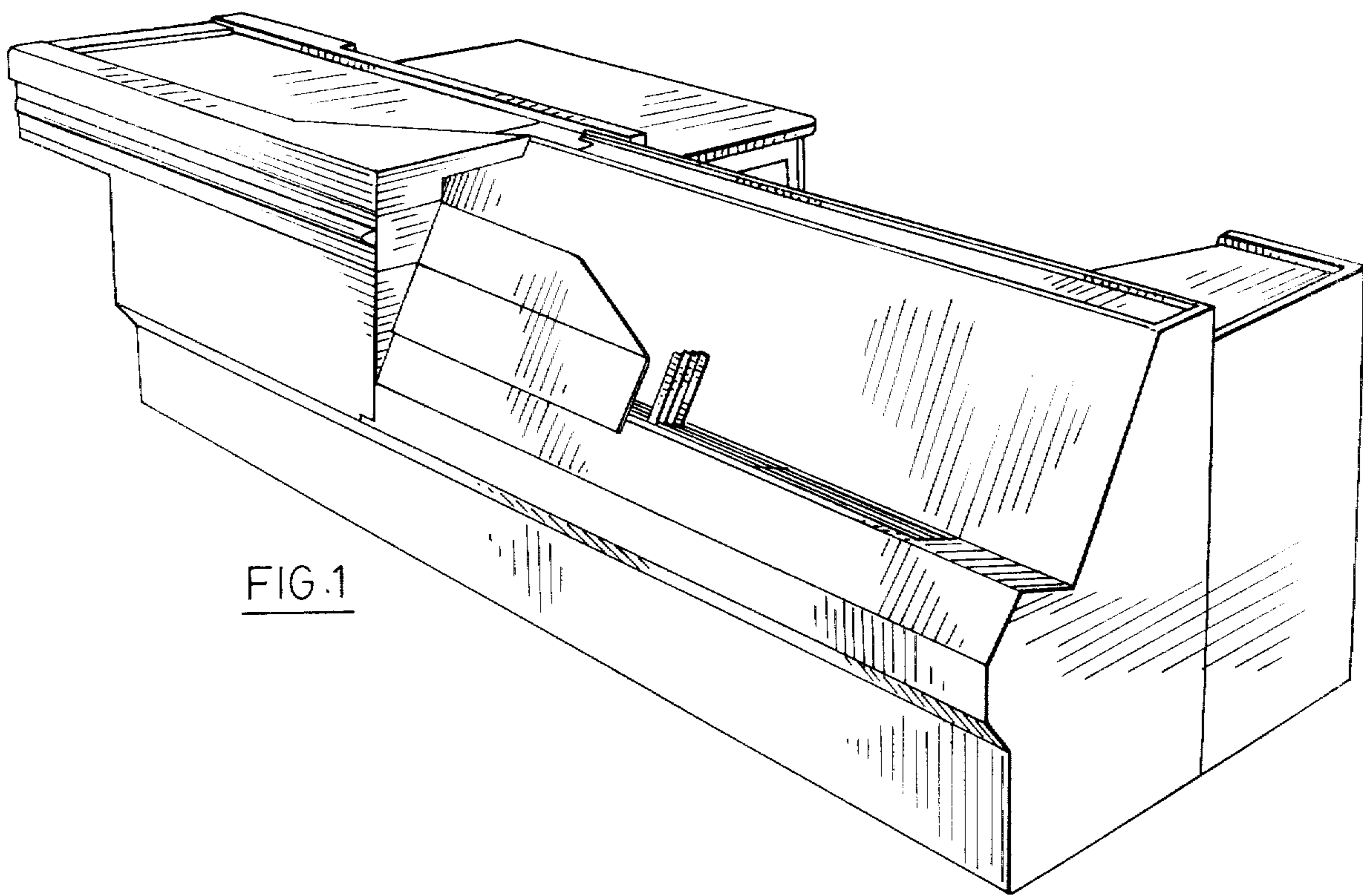


FIG. 1

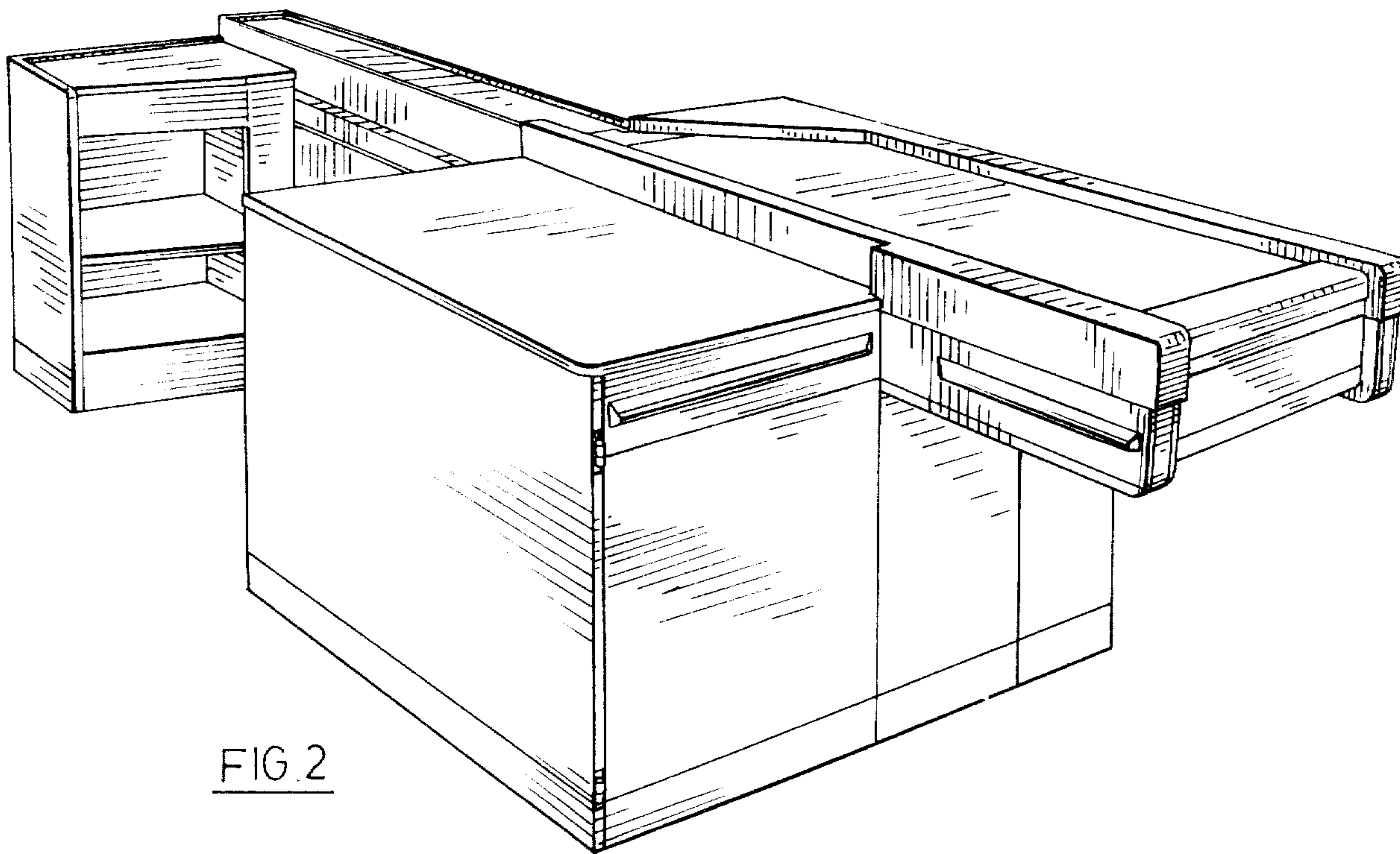


FIG. 2

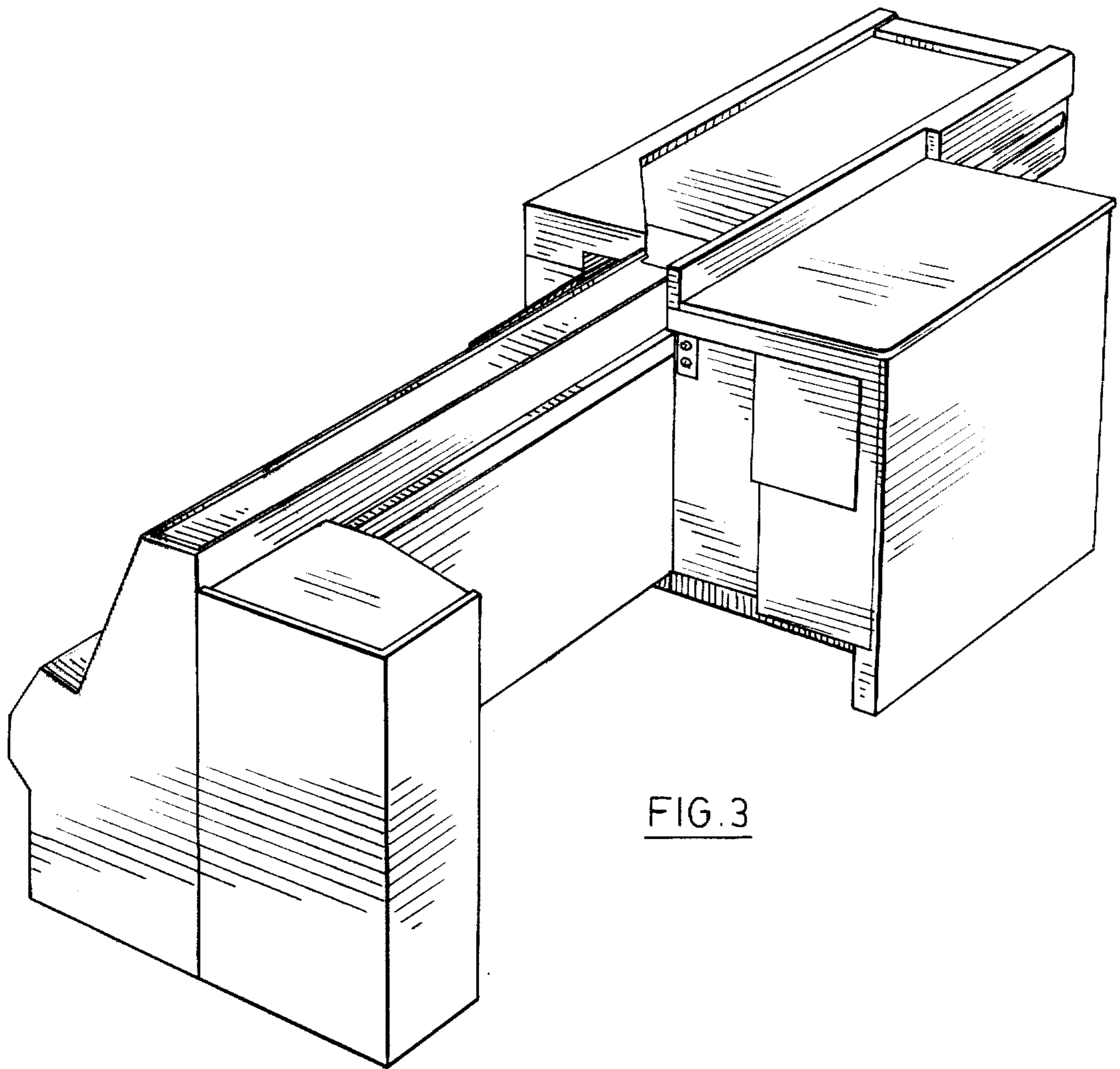


FIG. 3

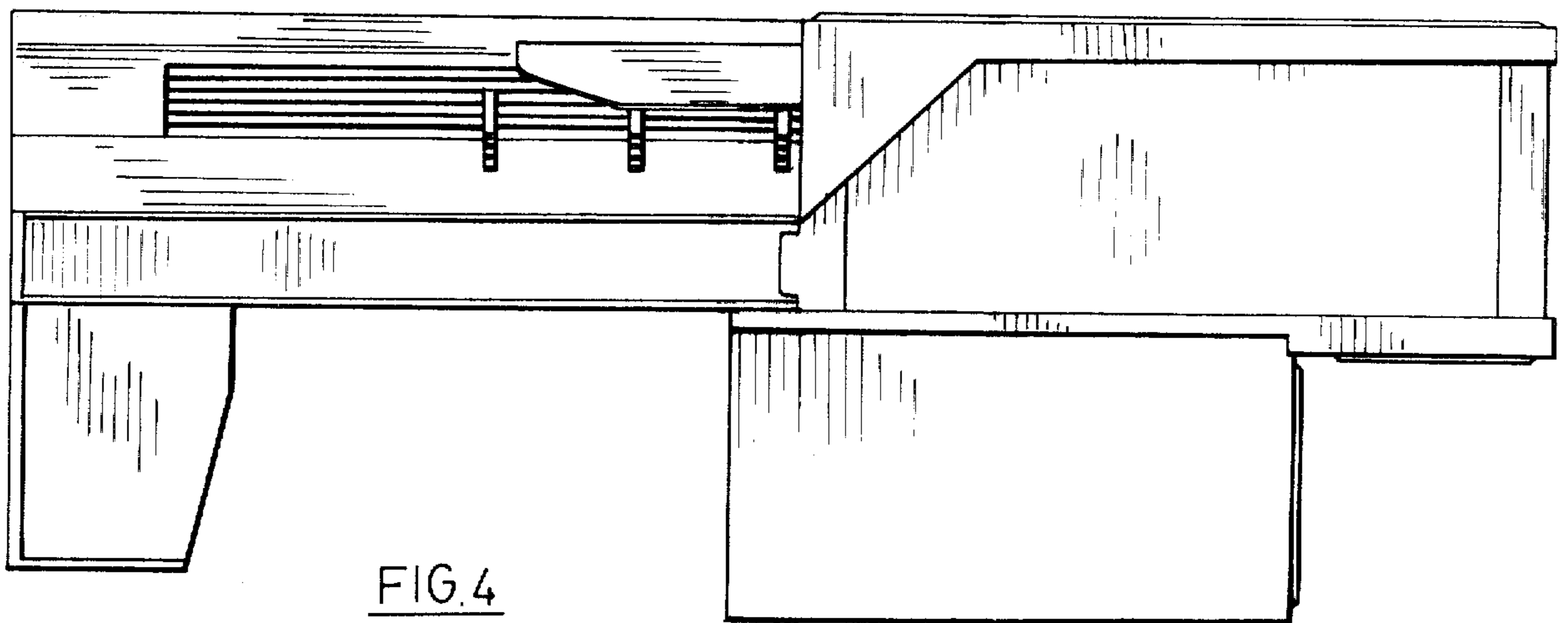


FIG. 4