

[54] **PLASTIC BAG HOLDING RACK**
 [75] Inventor: **Gerhard Adamson**, West Milford, N.J.
 [73] Assignee: **Union Carbide Corp.**, Danbury, Conn.
 [**] Term: **14 Years**
 [21] Appl. No.: **142,727**
 [22] Filed: **Apr. 22, 1980**

4,199,122 4/1980 Christie 312/211 X
 4,249,663 2/1981 Hewlett 248/99 X

FOREIGN PATENT DOCUMENTS

1069455 1/1980 Canada 248/97
 2437326 2/1976 Fed. Rep. of Germany 248/99

Primary Examiner—Catherine E. Kemper
Attorney, Agent, or Firm—Real J. Grandmaison

[51] **Int. Cl.** **D6—06**
 [52] **U.S. Cl.** **D6/114; D34/6**
 [58] **Field of Search** **D34/5, 6; D6/85, 114, D6/143; 53/390; 186/66; 312/211; 248/95, 97-101**

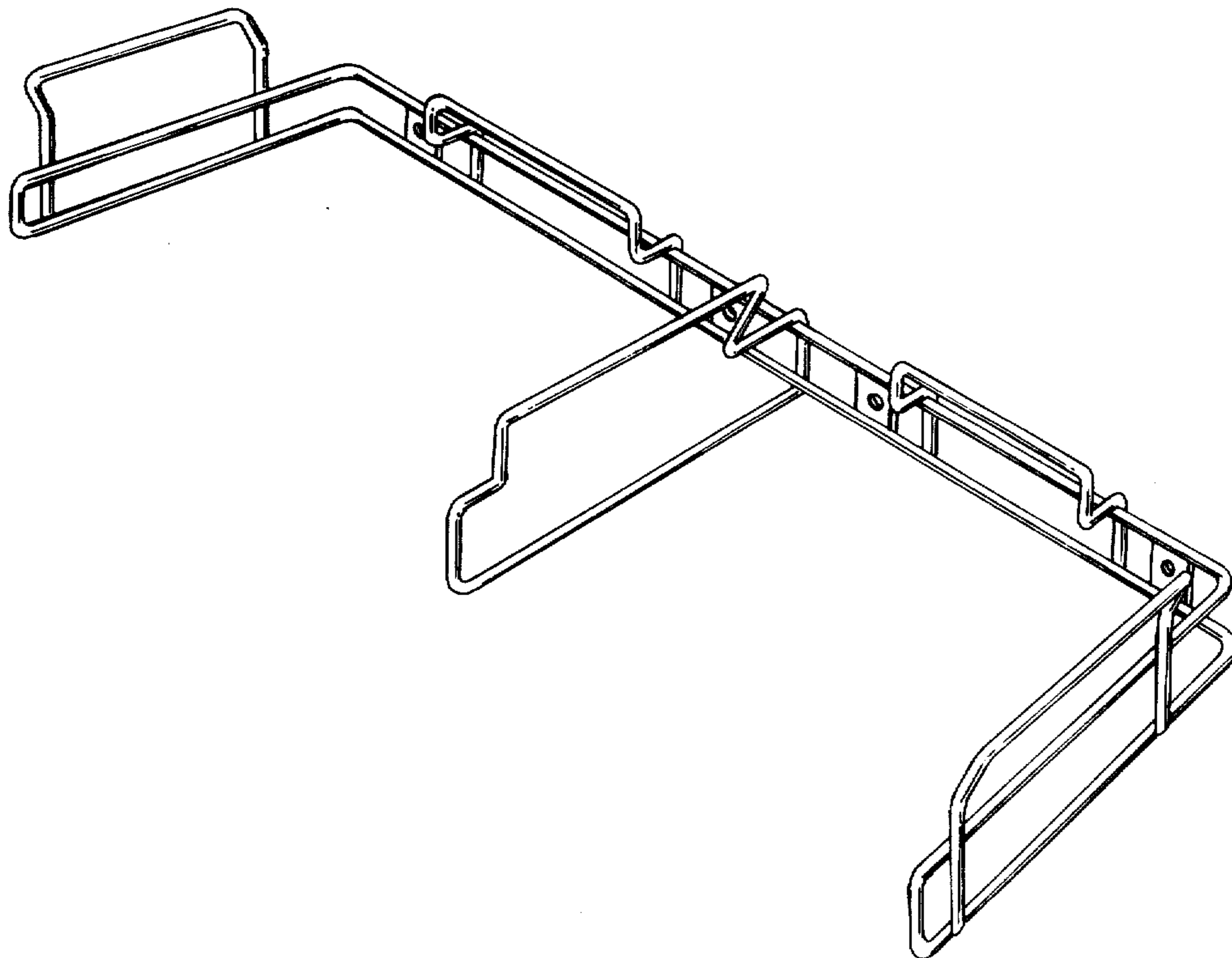
[57] **CLAIM**

The ornamental design for a plastic bag holding rack, as shown and described.

DESCRIPTION

FIG. 1 is a perspective view of a plastic bag holding rack showing my new design;
 FIG. 2 is a top plan view thereof;
 FIG. 3 is a side elevational view, the opposite side being a mirror image thereof;
 FIG. 4 is a front elevational view thereof;
 FIG. 5 is a rear elevational view thereof;
 FIG. 6 is a bottom plan view thereof.

[56] **References Cited**
U.S. PATENT DOCUMENTS
 2,412,834 12/1946 Roberts 248/99
 4,062,170 12/1977 Orem 53/390



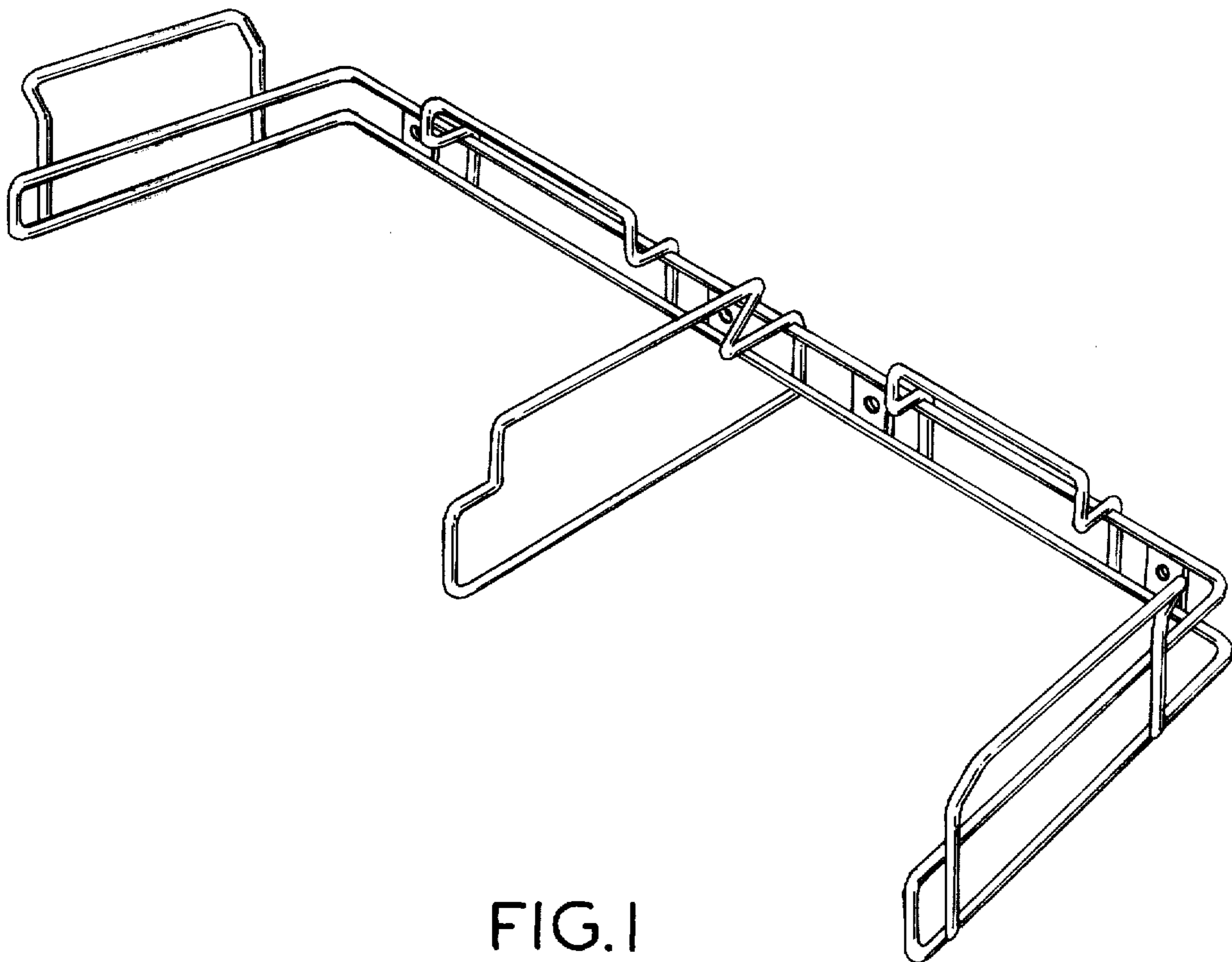


FIG. 1

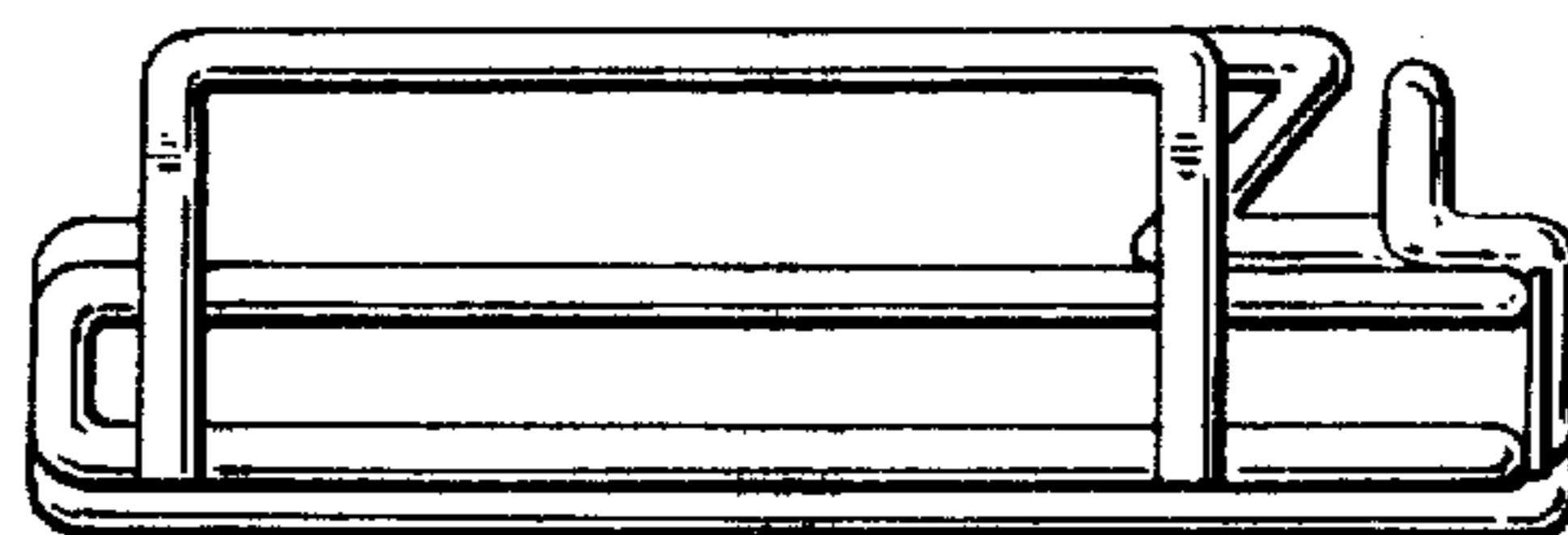


FIG. 3

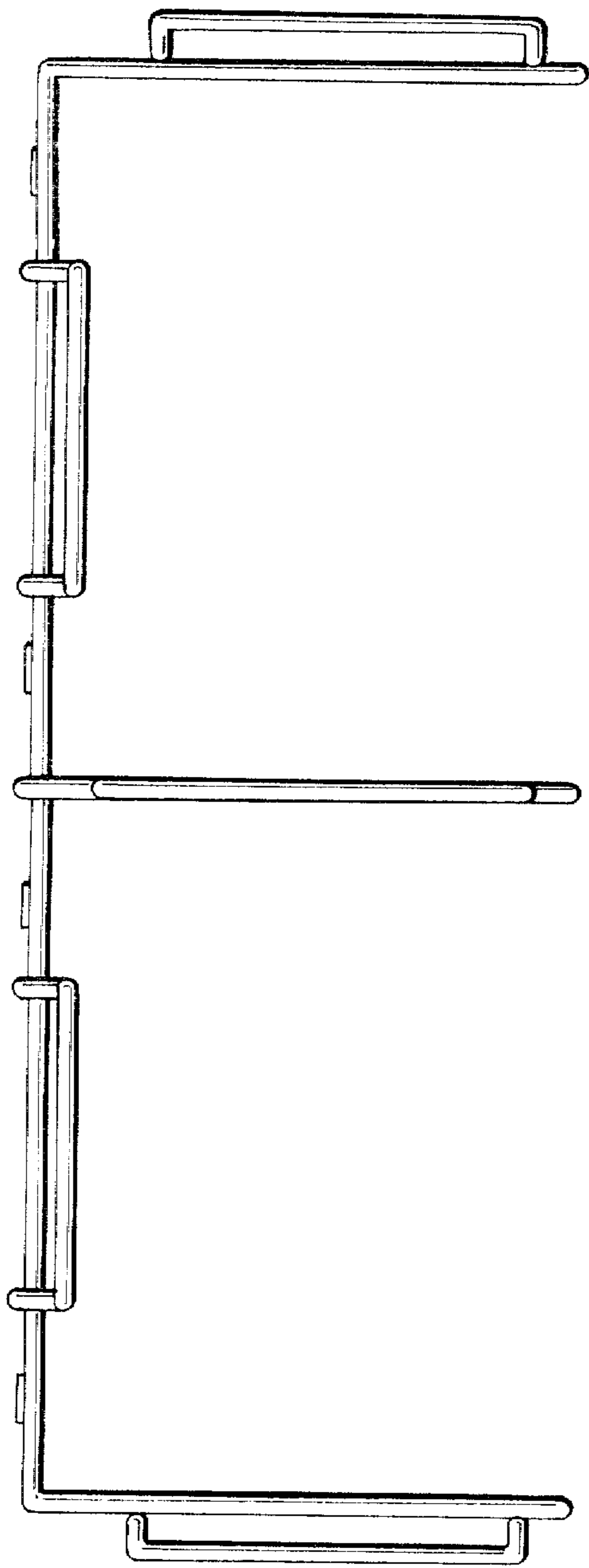


FIG. 2

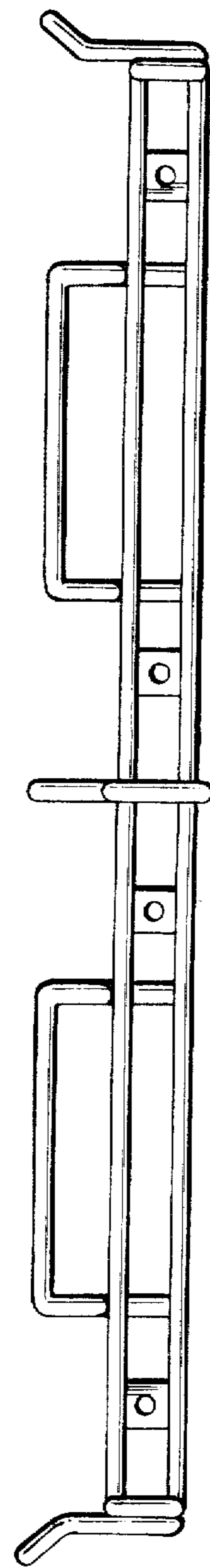


FIG. 4

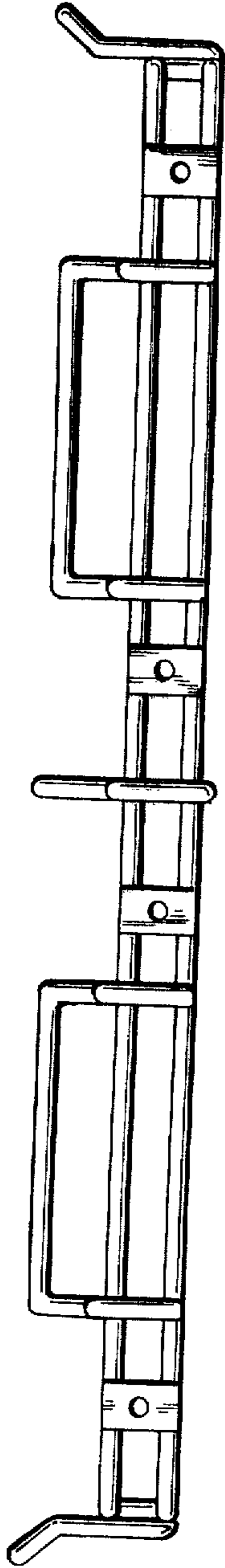


FIG. 5

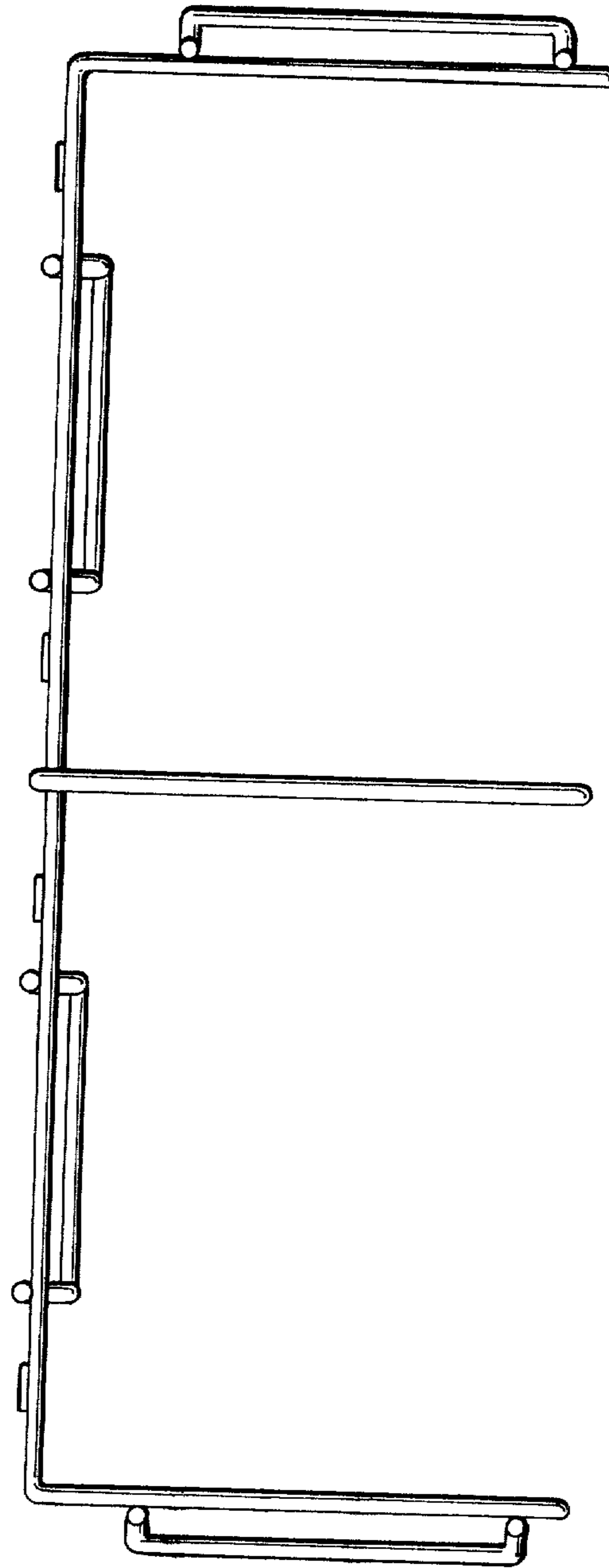


FIG. 6