

[54] SEAT

[75] Inventor: Rodrigo Rodriguez, Carimate, Italy

[73] Assignee: Cassina S.p.A., Milan, Italy

[**] Term: 14 Years

[21] Appl. No.: 131,544

[22] Filed: Mar. 18, 1980

[30] Foreign Application Priority Data

Sep. 19, 1979 [IT] Italy 22577 B/79[U]

[51] Int. Cl. D6-01

[52] U.S. Cl. D6/67; D6/56;
D6/63

[58] Field of Search D6/47-78;
297/440

[56] References Cited

U.S. PATENT DOCUMENTS

D. 248,259 6/1978 Lande D6/67 X

D. 257,522 11/1980 Leib D6/59

OTHER PUBLICATIONS

Arbitare, May, 1979, p. 129, chair at right.
Domus, 7-1970, p. 36, chair right center.
Design Catalog, 4-1978, p. 18, chair bottom right.
Design Catalog, Nov. 1977, p. 46, chair bottom right.

Primary Examiner—Bruce W. Dunkins
Attorney, Agent, or Firm—Brumbaugh, Graves,
Donohue & Raymond

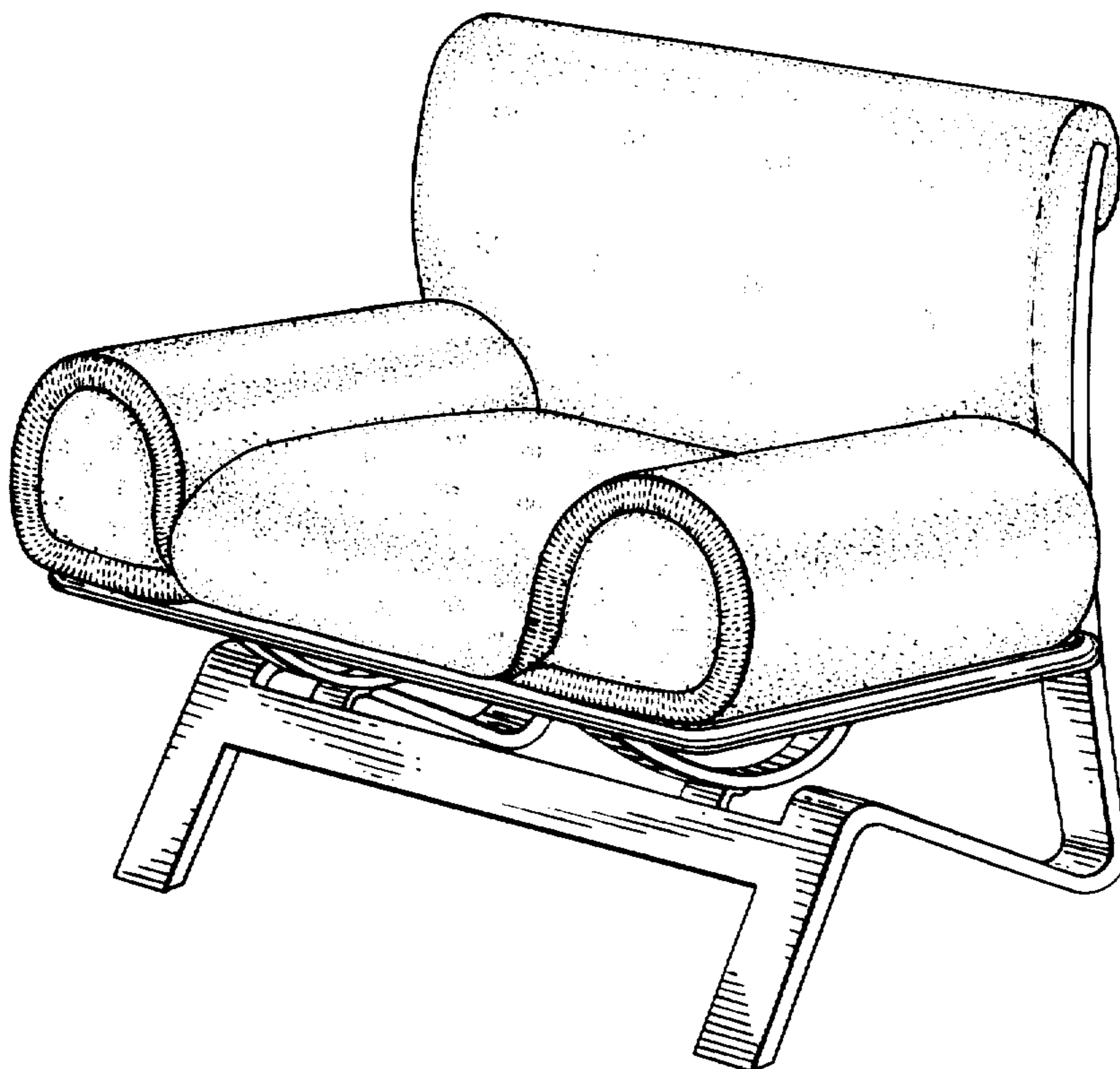
[57] CLAIM

The ornamental design for a seat, as shown and described.

DESCRIPTION

FIG. 1 is a front perspective view of a seat showing my design in the form of an armchair; and, FIG. 2 is a front elevational view thereof; FIG. 3 is a front perspective view of a seat showing my design in the form of a sofa; and, FIG. 4 is a front elevational view thereof. FIG. 5 is an elevational view showing one of the two identical ends of the seat.

The rear of the seat is conventional in appearance.



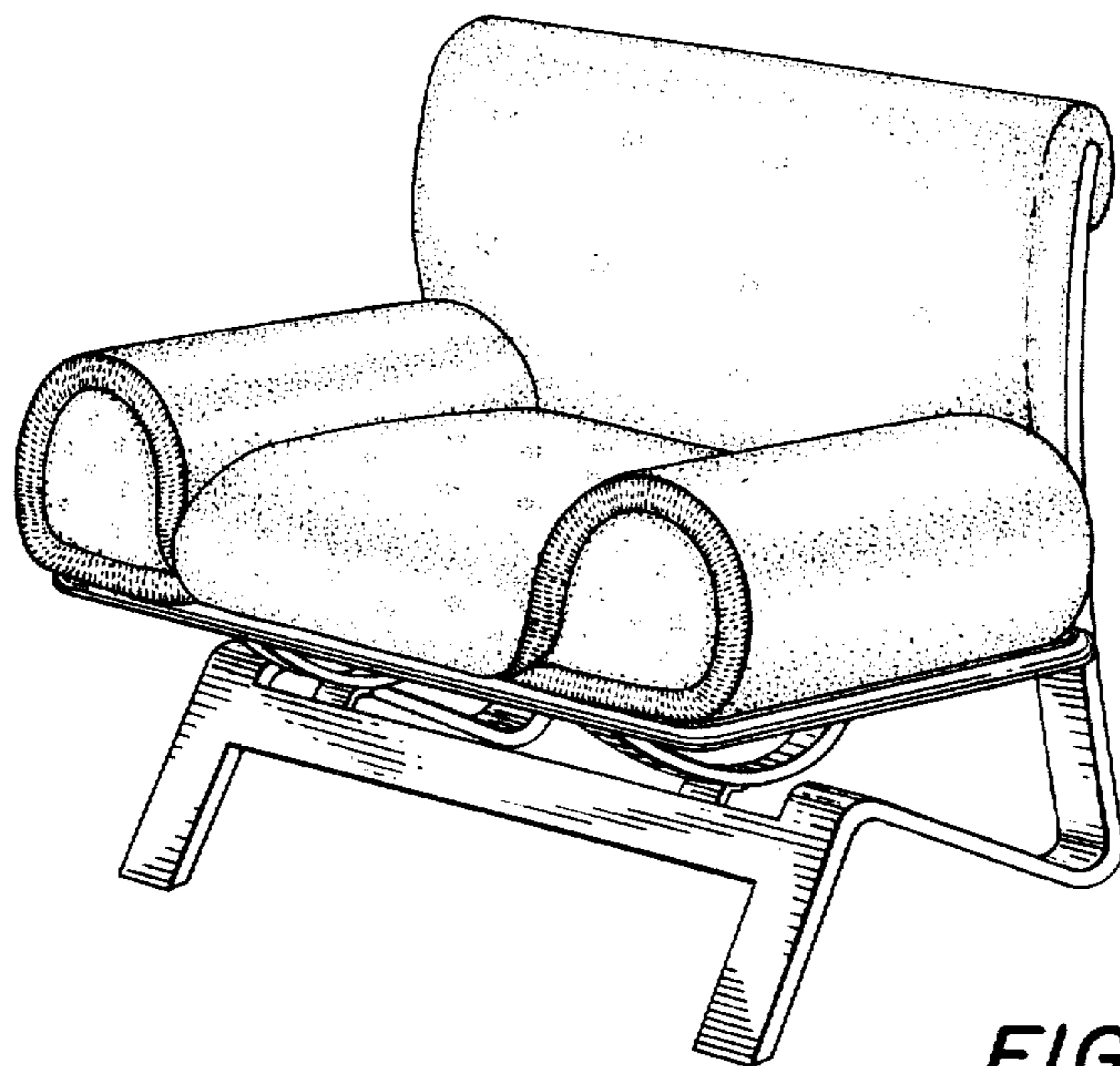


FIG. 1

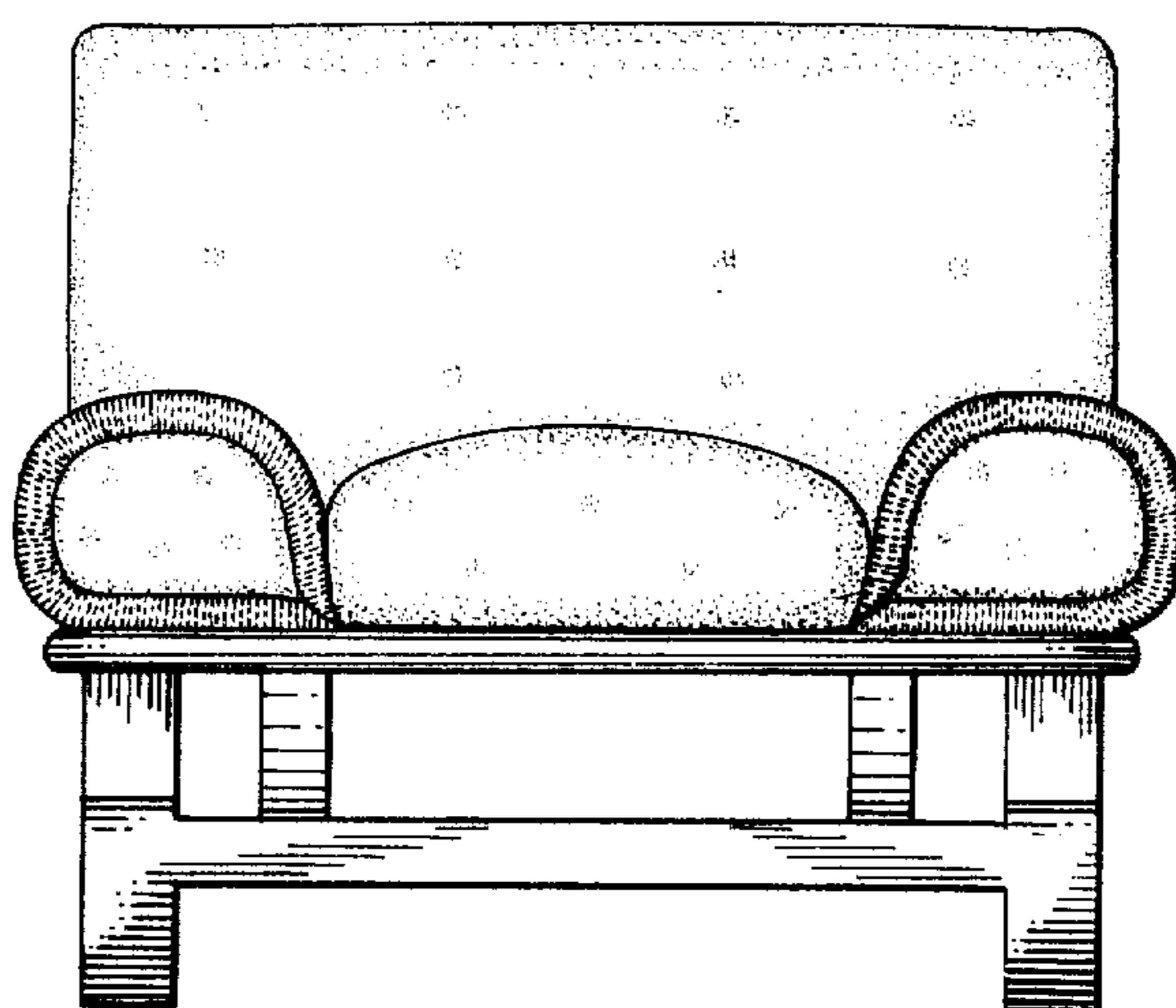


FIG. 2

FIG. 3

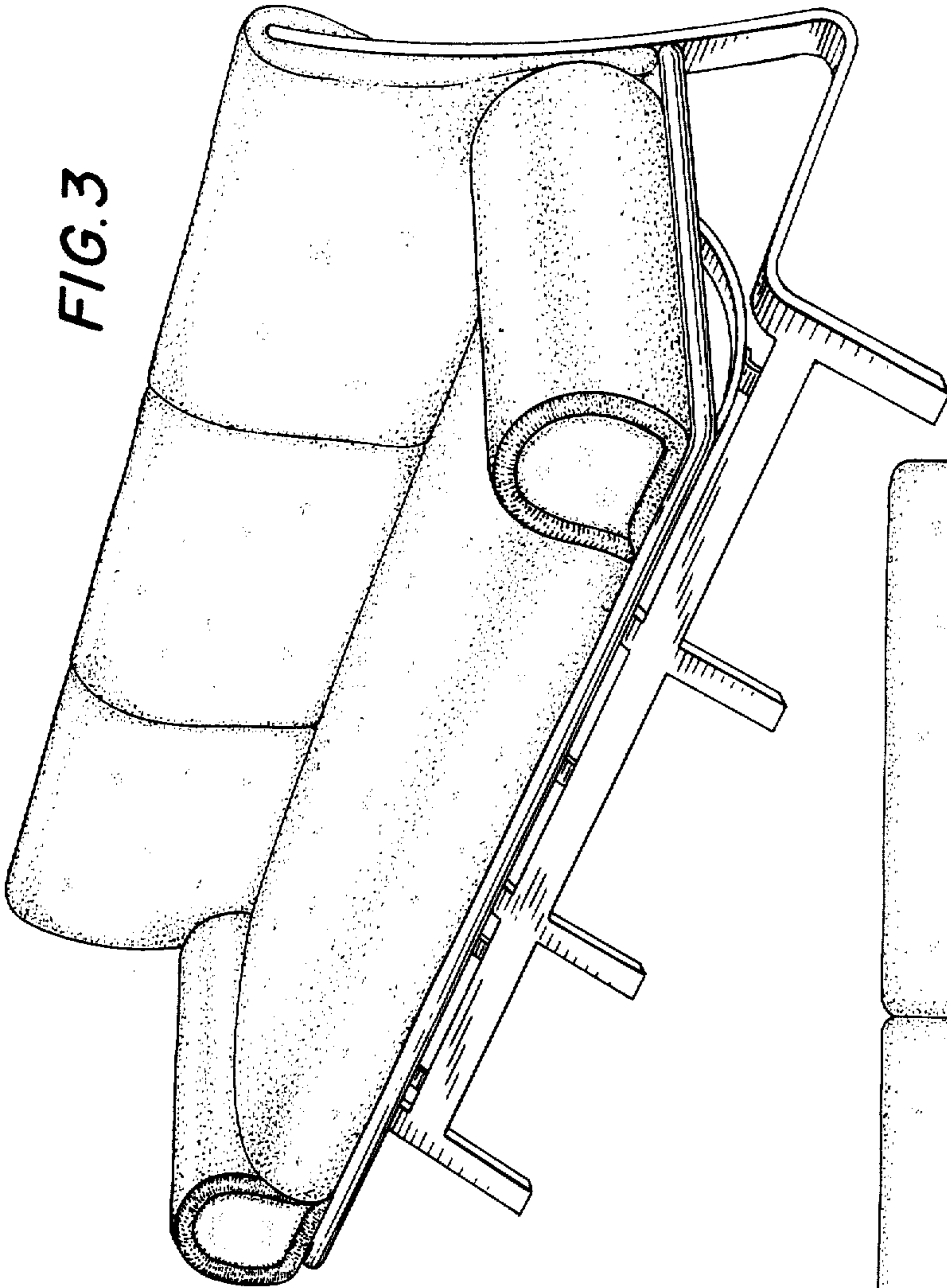


FIG. 4

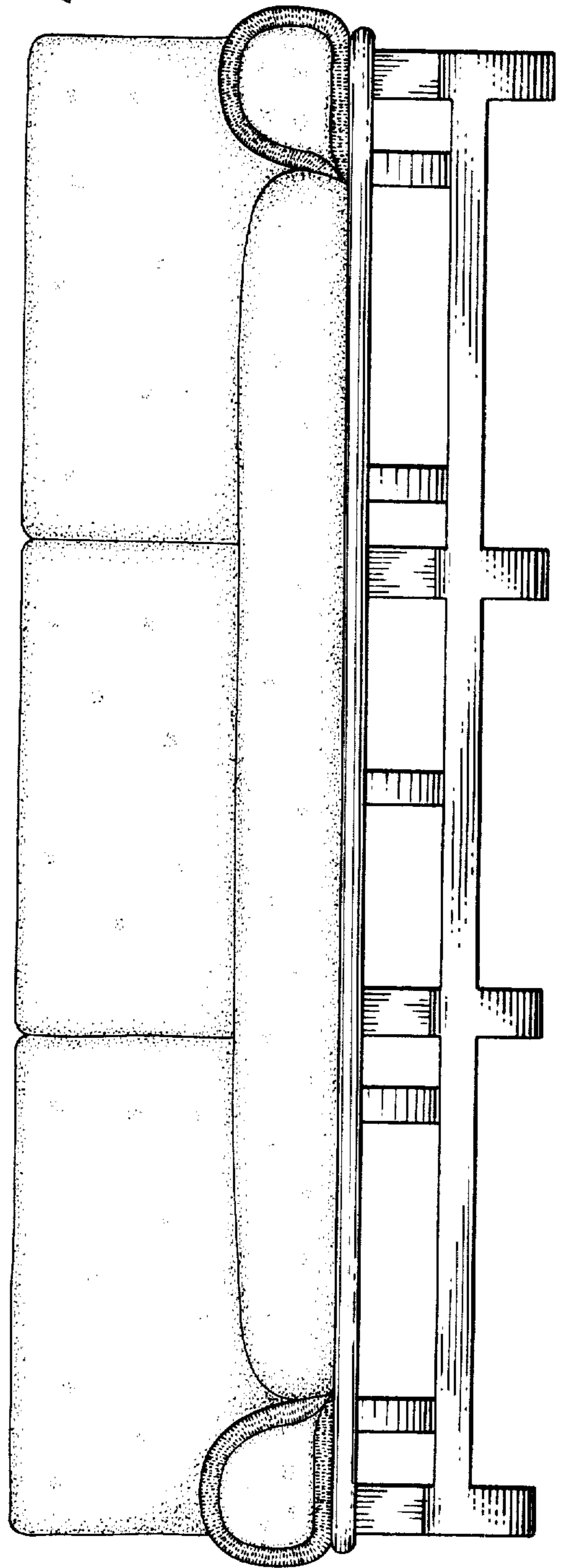


FIG. 5

