

[54] **INVERTIBLE TABLE AND ROCKER COMBINATION**

[75] **Inventor:** Harry D. Greenman, London, England

[73] **Assignee:** Multi-Commerce U.S.A. Ltd., New York, N.Y.

[**] **Term:** 14 Years

[21] **Appl. No.:** 98,370

[22] **Filed:** Nov. 28, 1979

[51] **Int. Cl.** D6—01

[52] **U.S. Cl.** D6/3; D6/6;
D6/10; D6/45

[58] **Field of Search** D6/3, 5, 7, 10, 47-78,
D6/45

[56] **References Cited**

U.S. PATENT DOCUMENTS

D. 94,004	12/1934	Sweet	D6/10
D. 144,404	4/1946	Mabry	D6/3
D. 147,581	9/1947	Coulter	D6/3
D. 211,720	7/1968	Lue	D6/10
D. 218,027	7/1970	Obermeyer	D6/3

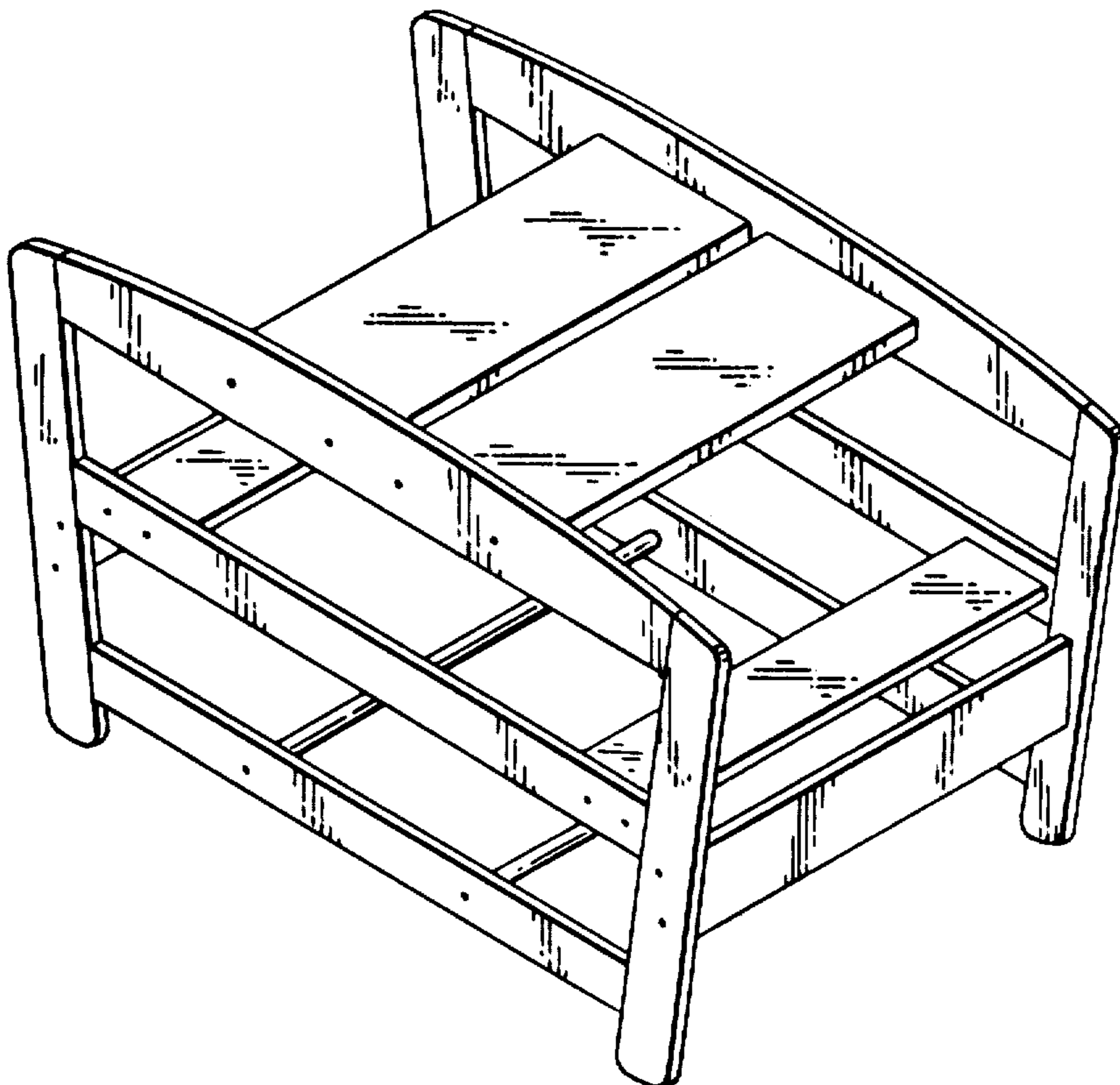
Primary Examiner—Bruce W. Dunkins

[57] **CLAIM**

The ornamental design for an invertible table and rocker combination, as shown.

DESCRIPTION

FIG. 1 is a perspective view of an invertible table and rocker combination embodying my new design; FIG. 2 is a side elevational view taken from the right in FIG. 1; FIG. 3 is an end elevational view taken from the left in FIG. 1; and FIG. 4 is a perspective view of the invertible table and rocker combination showing same in its inverted position for use as a rocker.



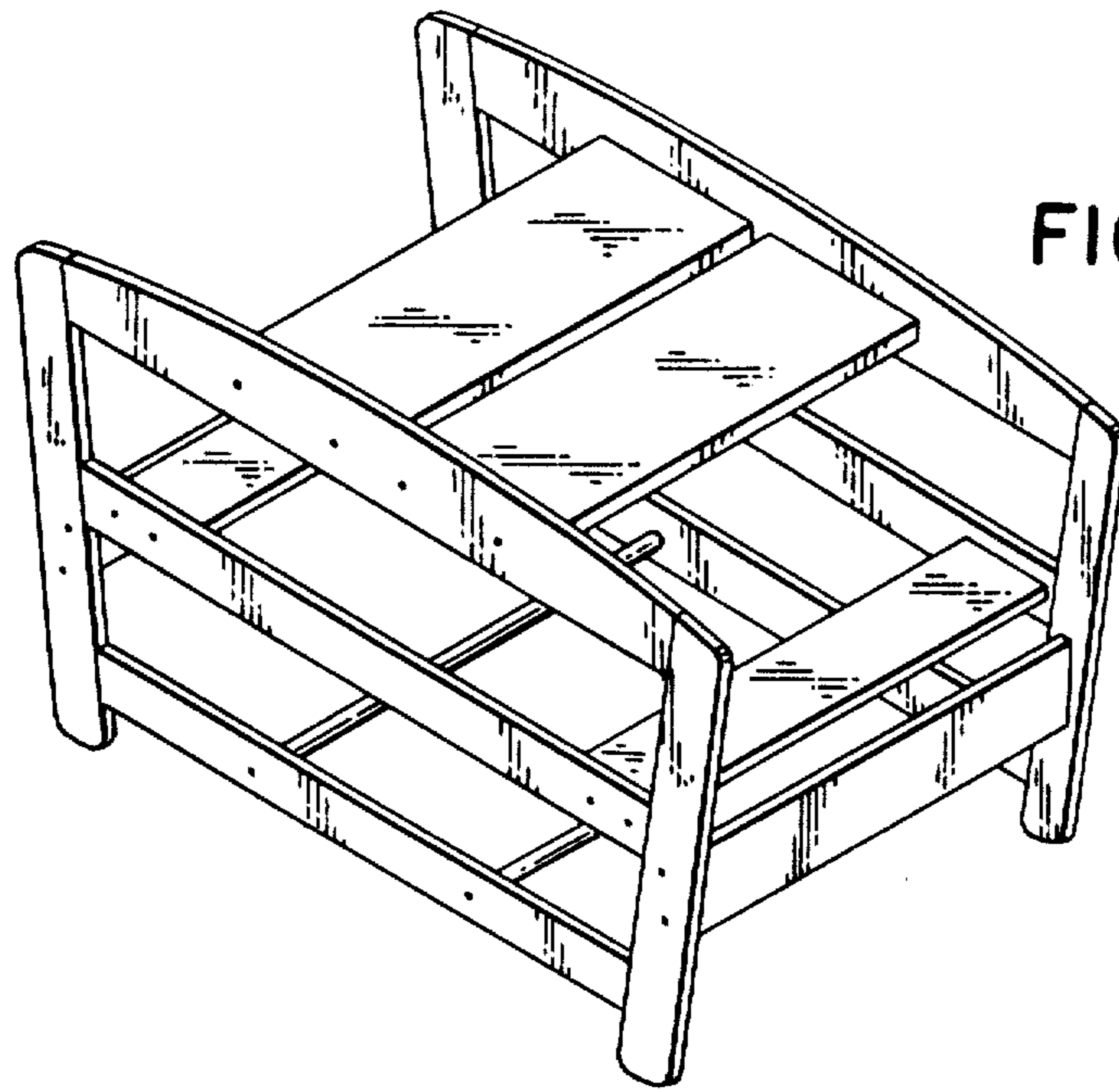


FIG. 1

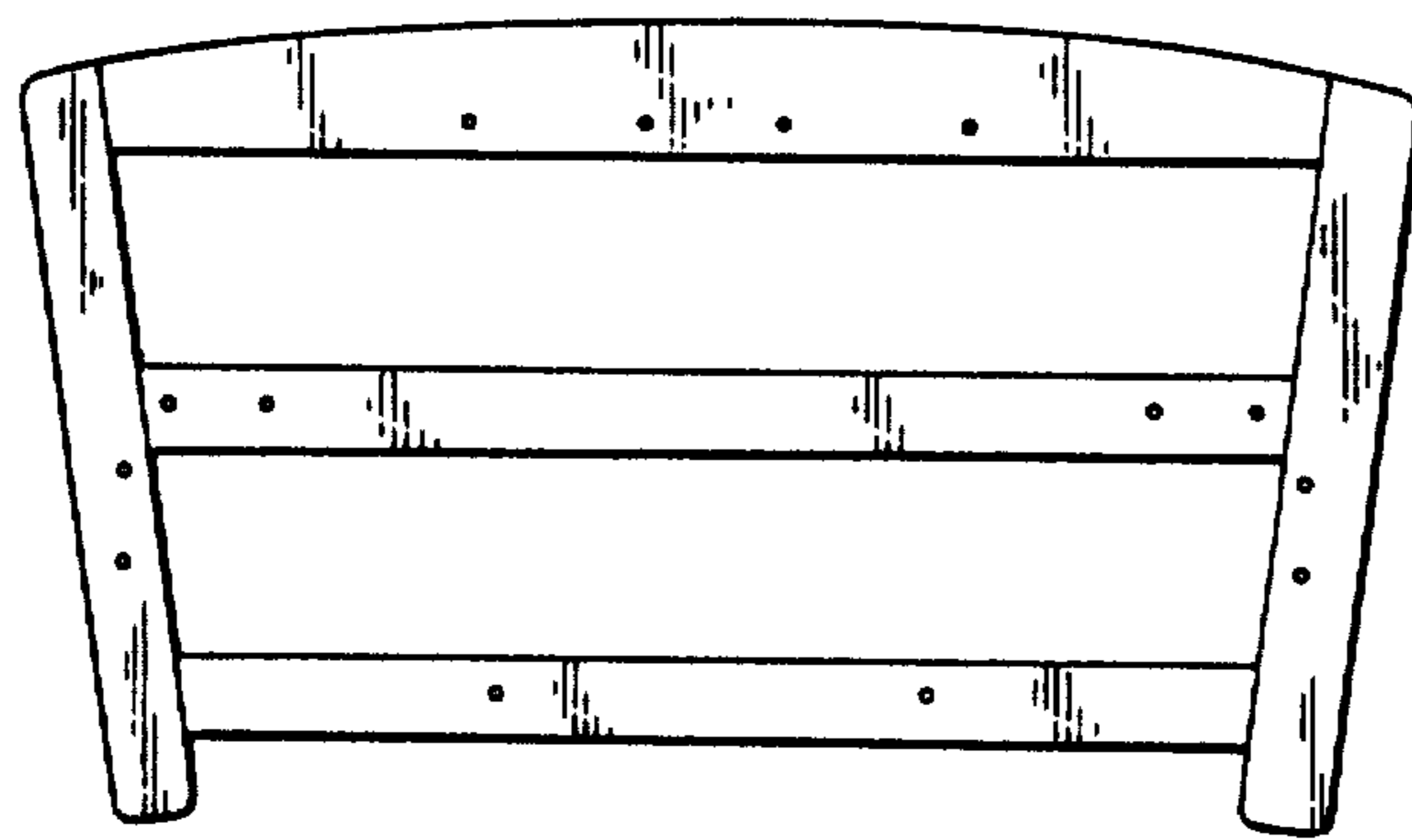


FIG. 2

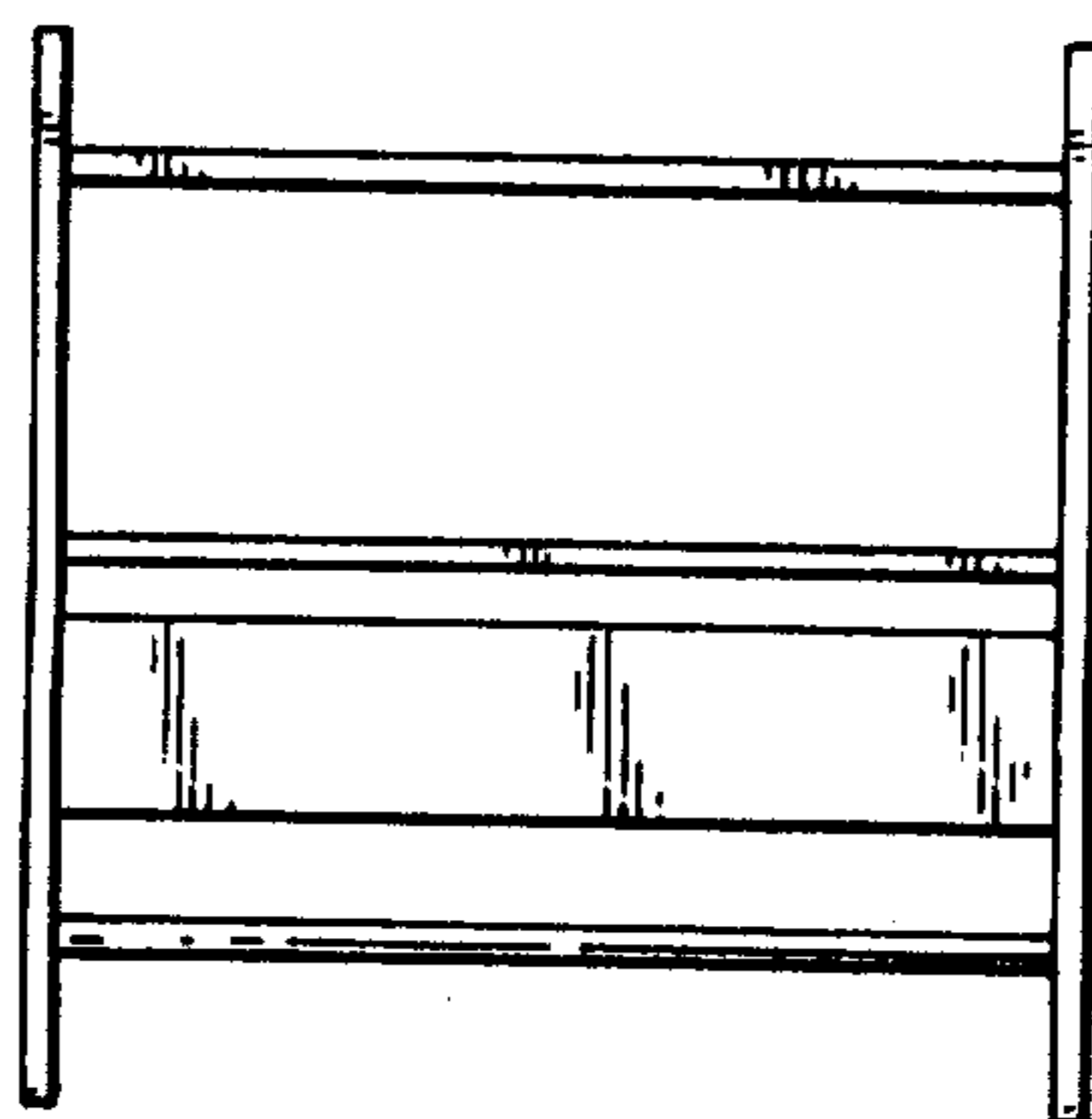


FIG. 3

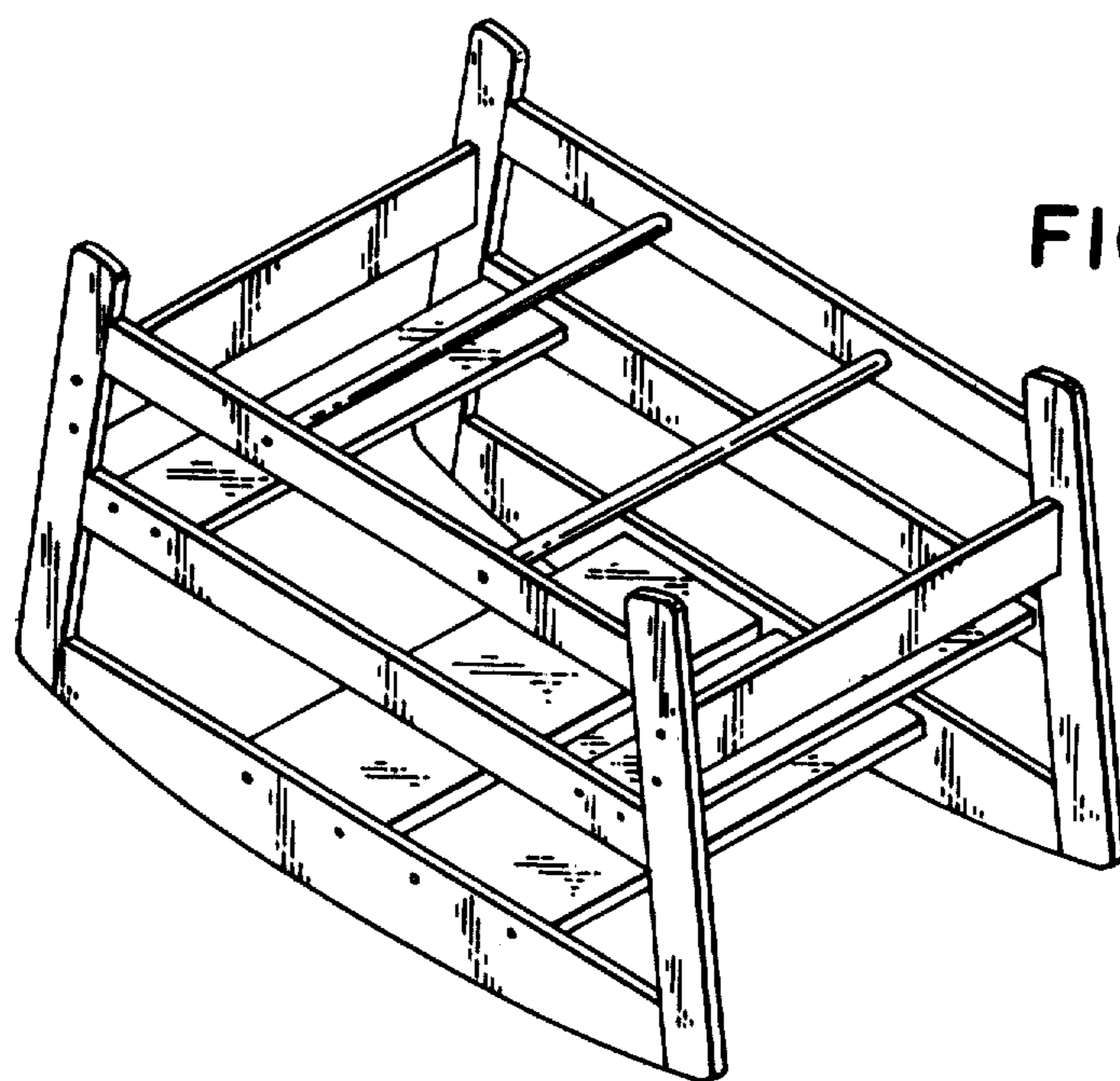


FIG. 4