

[54] LUMINAIRE

[75] Inventors: Elzear R. Labouliere, Swansea;  
Albert J. Michaud, Foxboro;  
Hendrik A. J. de Vos, Swansea, all of  
Mass.

[73] Assignee: GTE Products Corporation,  
Stamford, Conn.

[\*\*] Term: 14 Years

[21] Appl. No.: 25,256

[22] Filed: Mar. 29, 1979

[51] Int. Cl. .... D26-03

[52] U.S. Cl. .... D26/67

[58] Field of Search ..... D26/67, 68, 69, 70,  
D26/71, 72, 73, 80, 81, 82, 83, 84, 85, 86, 87, 88,  
89, 90, 91, 92, 93, 102, 104, 105, 106, 107, 108,  
109, 110, 111, 112, 118, 120, 122, 123, 124, 131,  
132; 362/806, 297, 300, 311, 367, 362, 431, 427,  
418

[56] References Cited

U.S. PATENT DOCUMENTS

D. 204,618 5/1966 Rutter ..... D26/71  
3,446,955 5/1969 Bailey et al. .... 362/404 X

FOREIGN PATENT DOCUMENTS

635418 1/1962 Canada ..... 362/431

OTHER PUBLICATIONS

General Electric "Decashield®" Luminaire brochure,  
1-1976, p. 1-Luminaire.  
Lighting, 10-1963, p. 60-Marvin Square Luminaire.  
Architectural Record, 2-1976, p. 149-Luminaire.

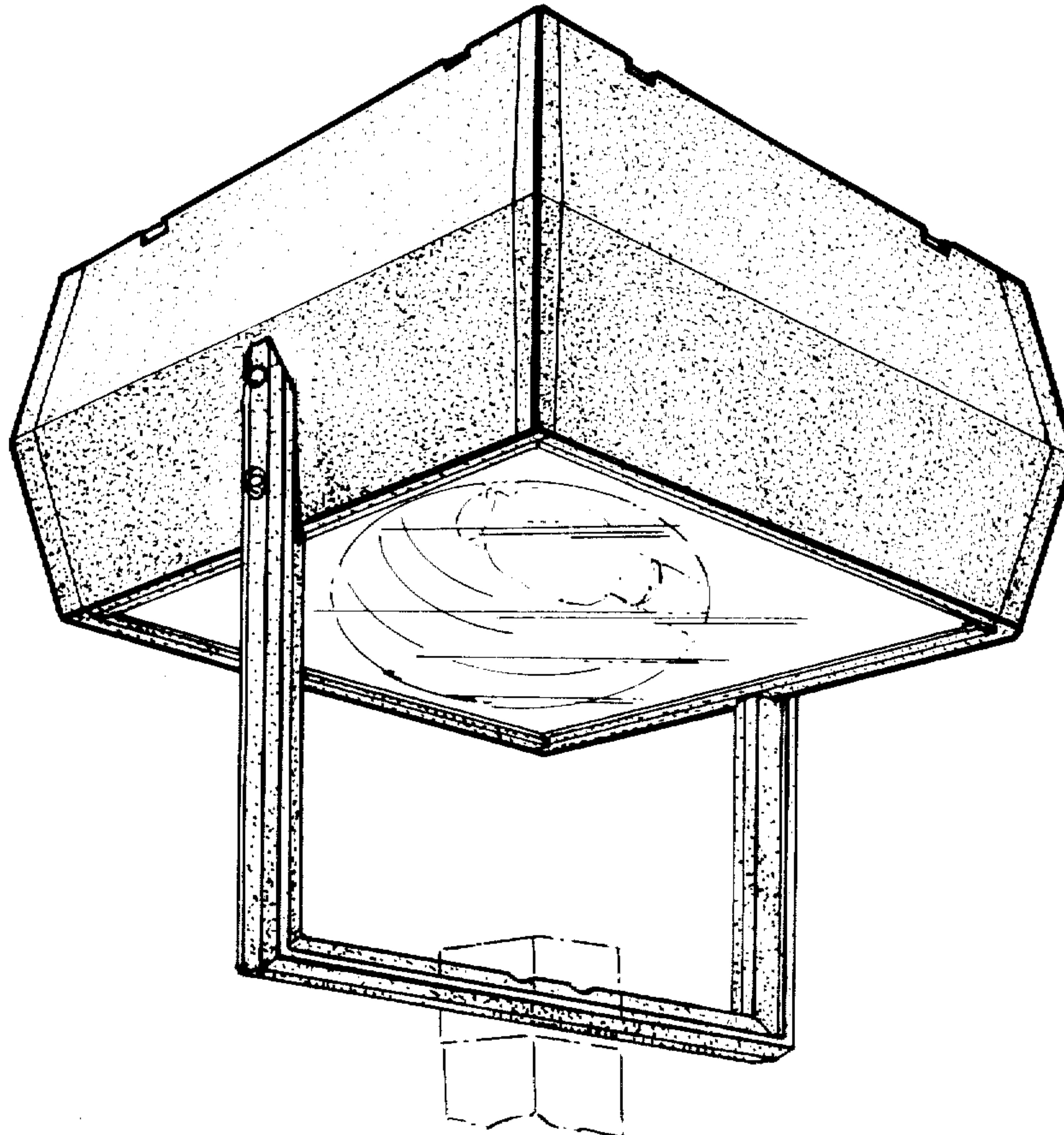
Primary Examiner—Susan J. Lucas  
Attorney, Agent, or Firm—Lawrence R. Fraley

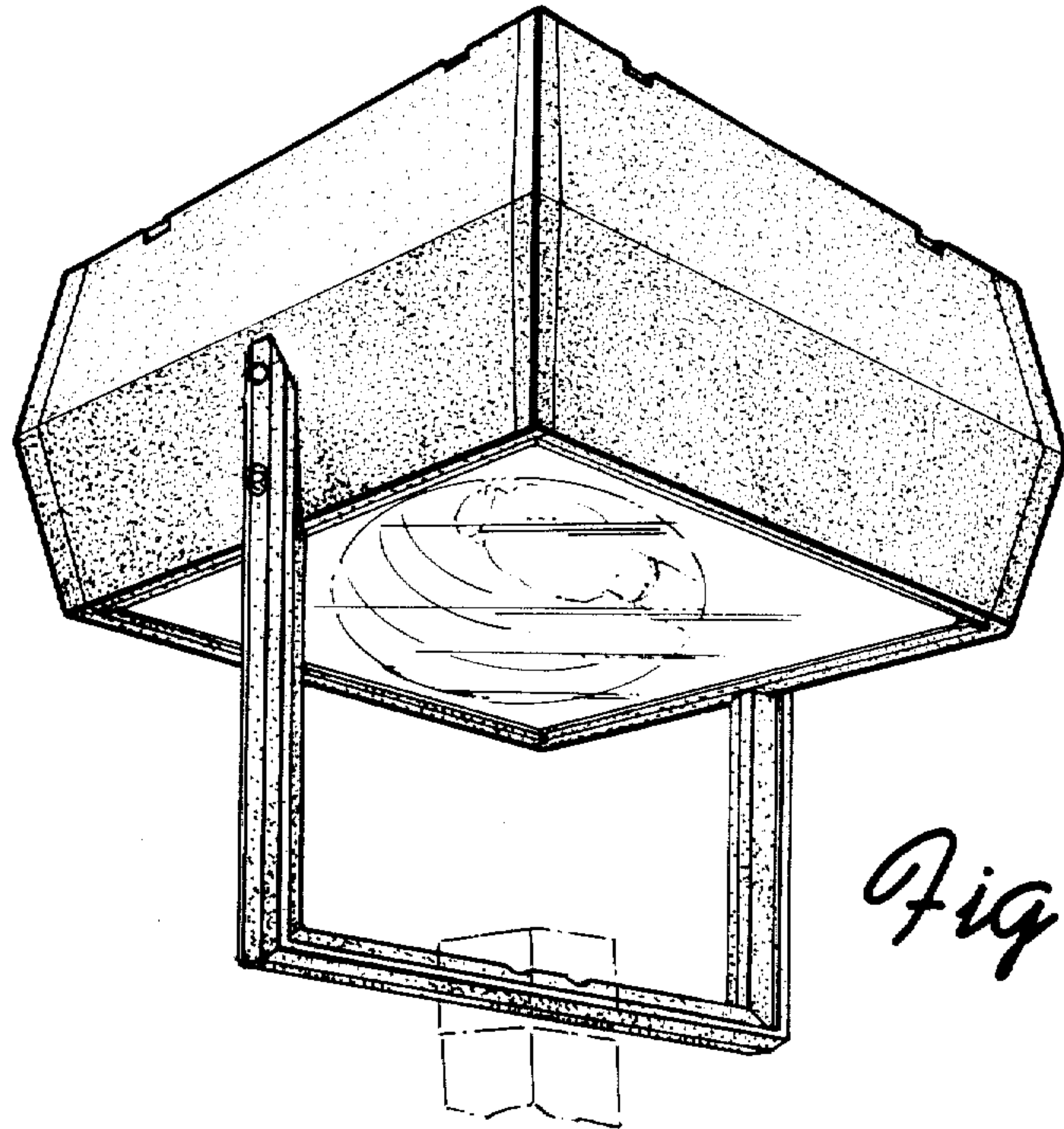
[57] CLAIM

The ornamental design for a luminaire, as shown and  
described.

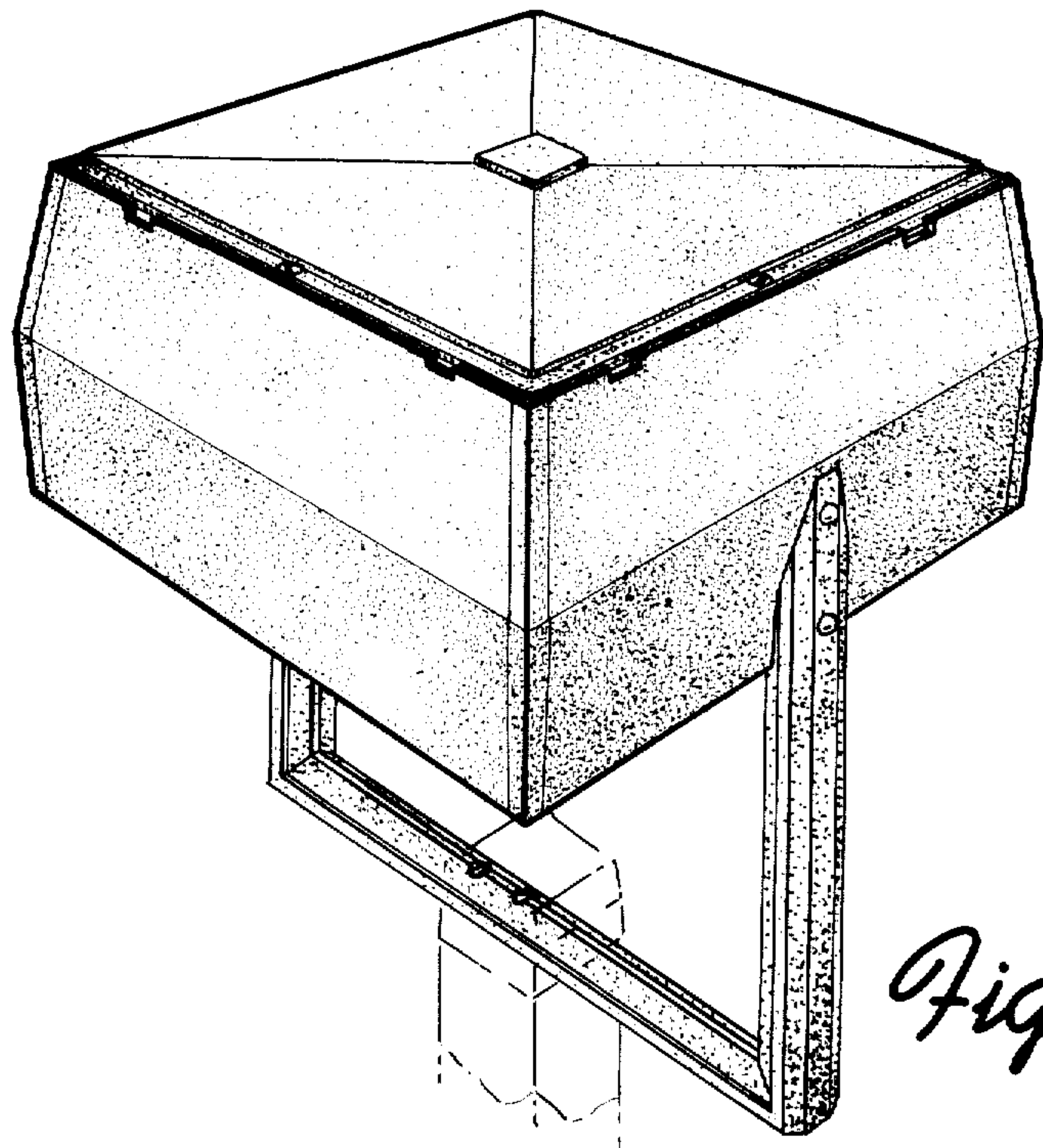
DESCRIPTION

FIG. 1 is a bottom perspective view of a luminaire,  
showing our new design;  
FIG. 2 is a top perspective view thereof;  
FIG. 3 is a side elevational view thereof;  
FIG. 4 is a front elevational view thereof;  
FIG. 5 is a bottom plan view thereof;  
FIG. 6 is a top perspective view of a second embodi-  
ment of our design;  
FIG. 7 is a side elevational view thereof; and  
FIG. 8 is a bottom plan view thereof.  
The standard and interior lamp structure are shown in  
broken lines for illustrative purposes only.



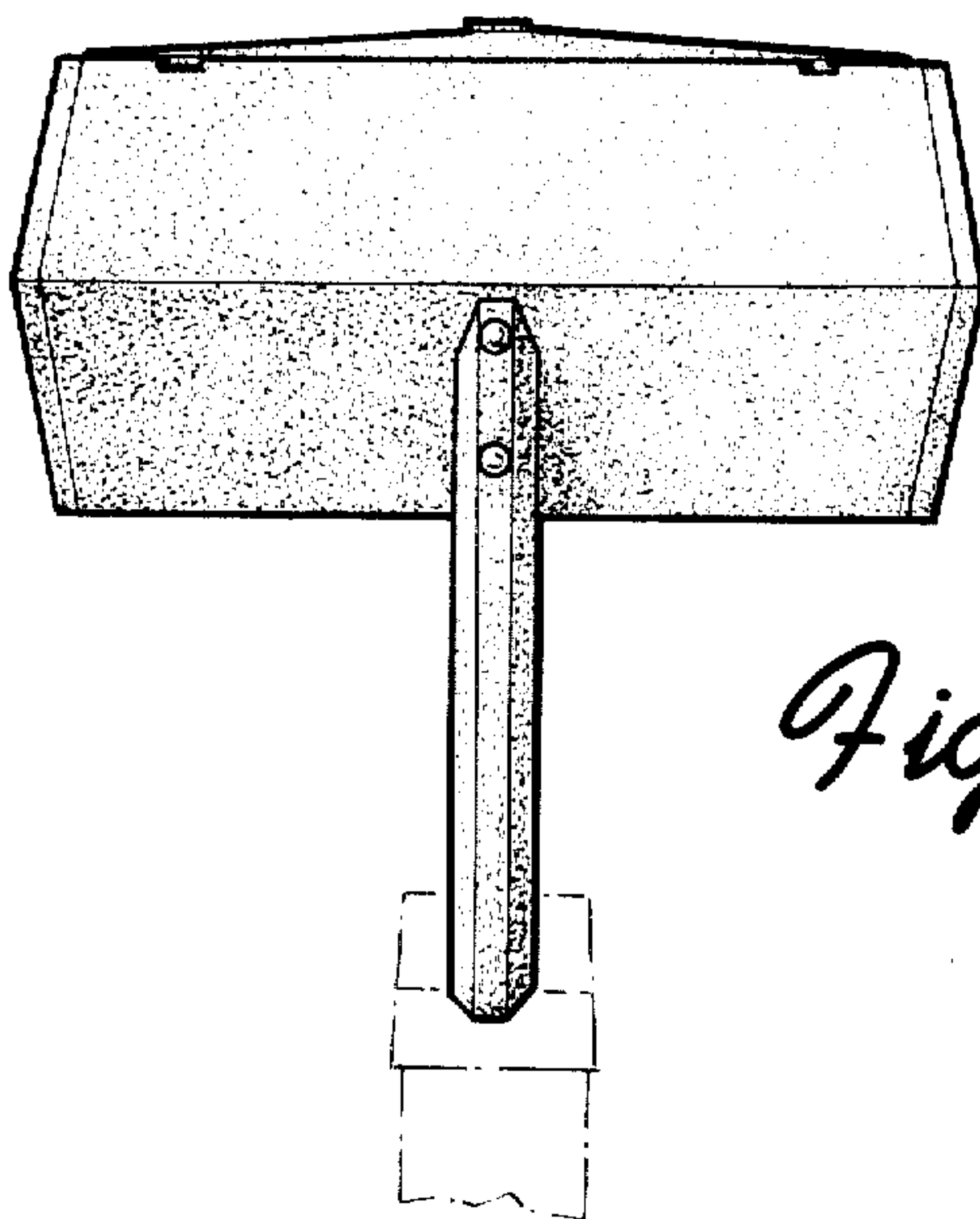


*Fig. 1*

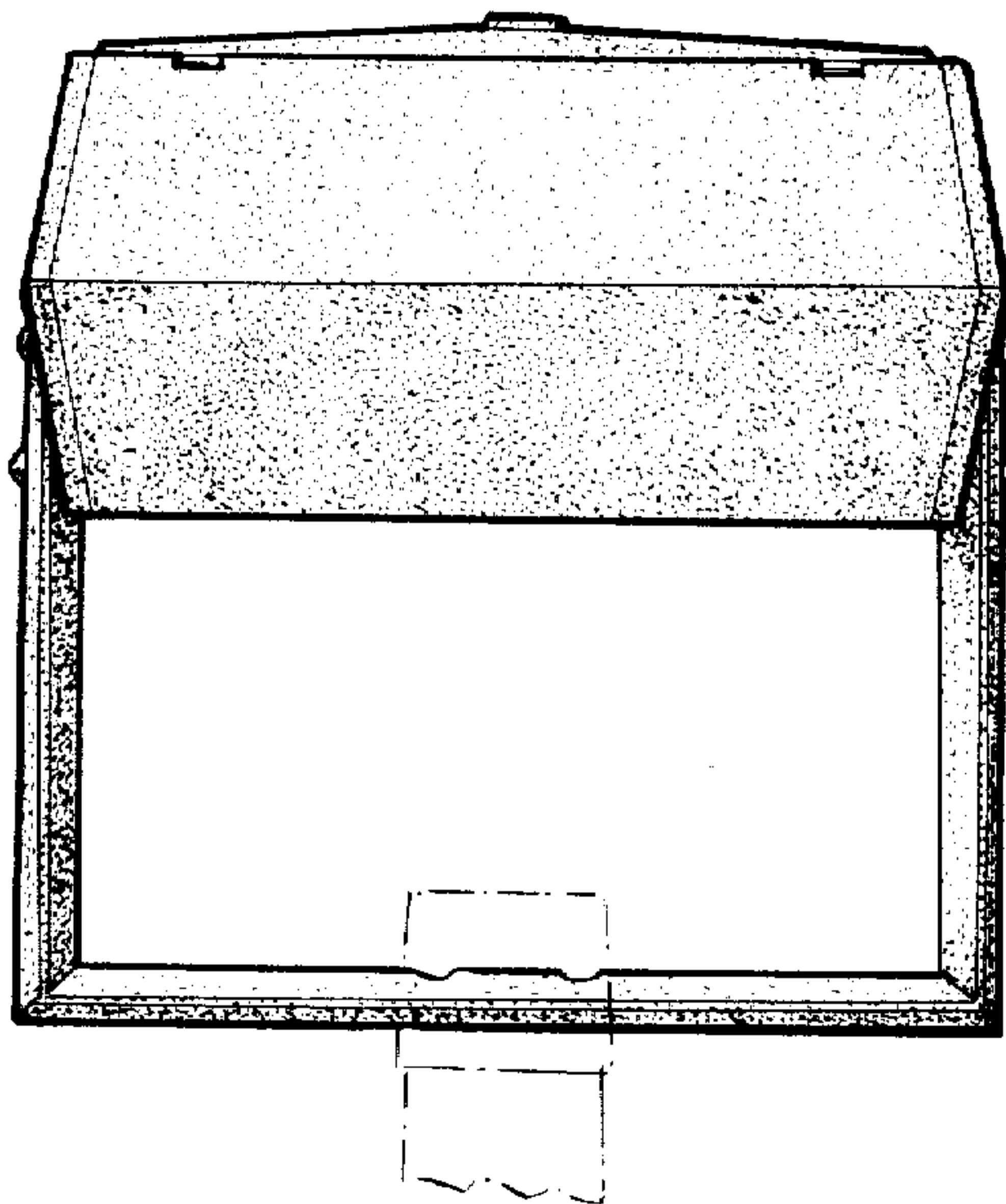


*Fig. 2*

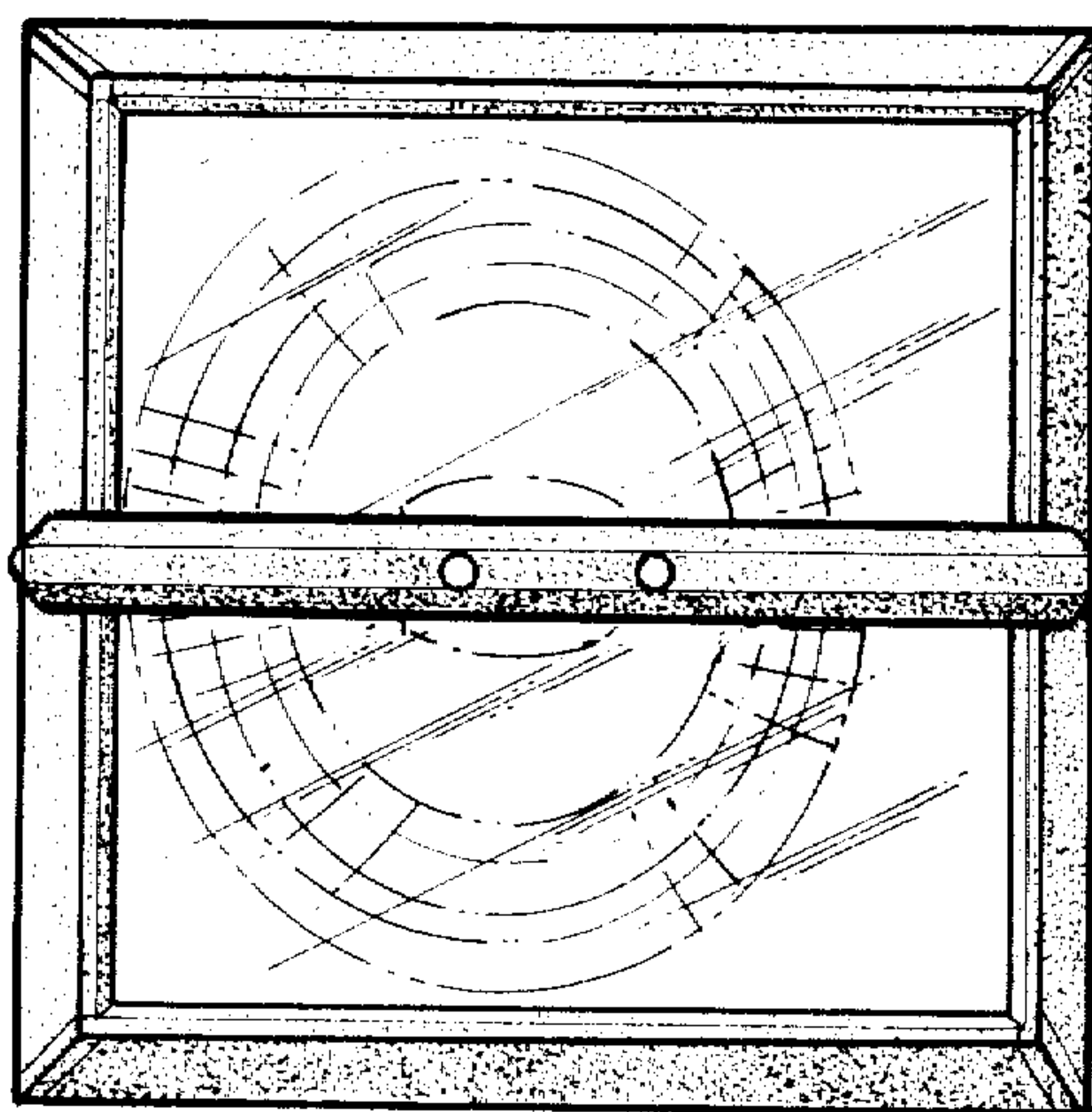




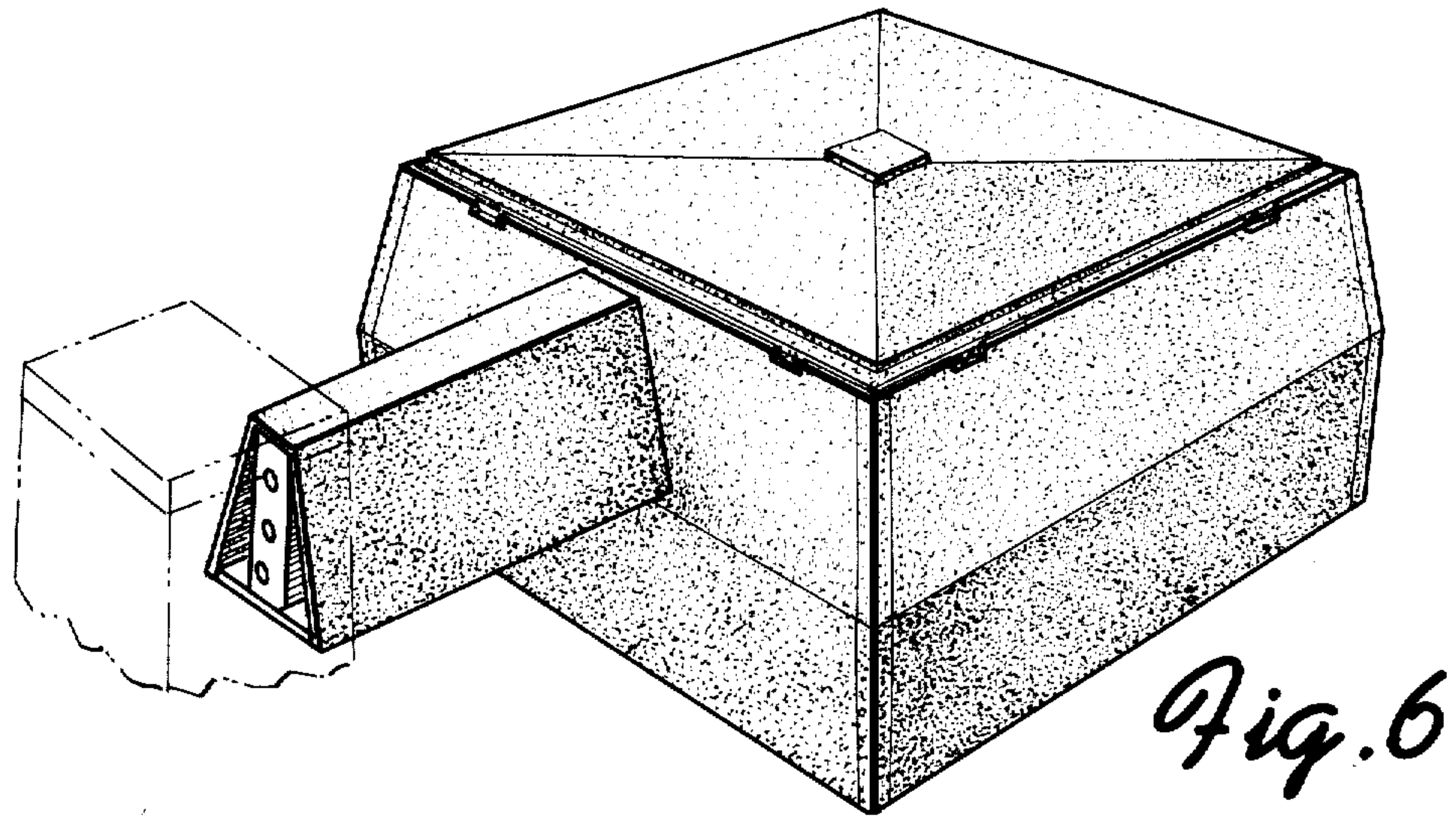
*Fig. 3*



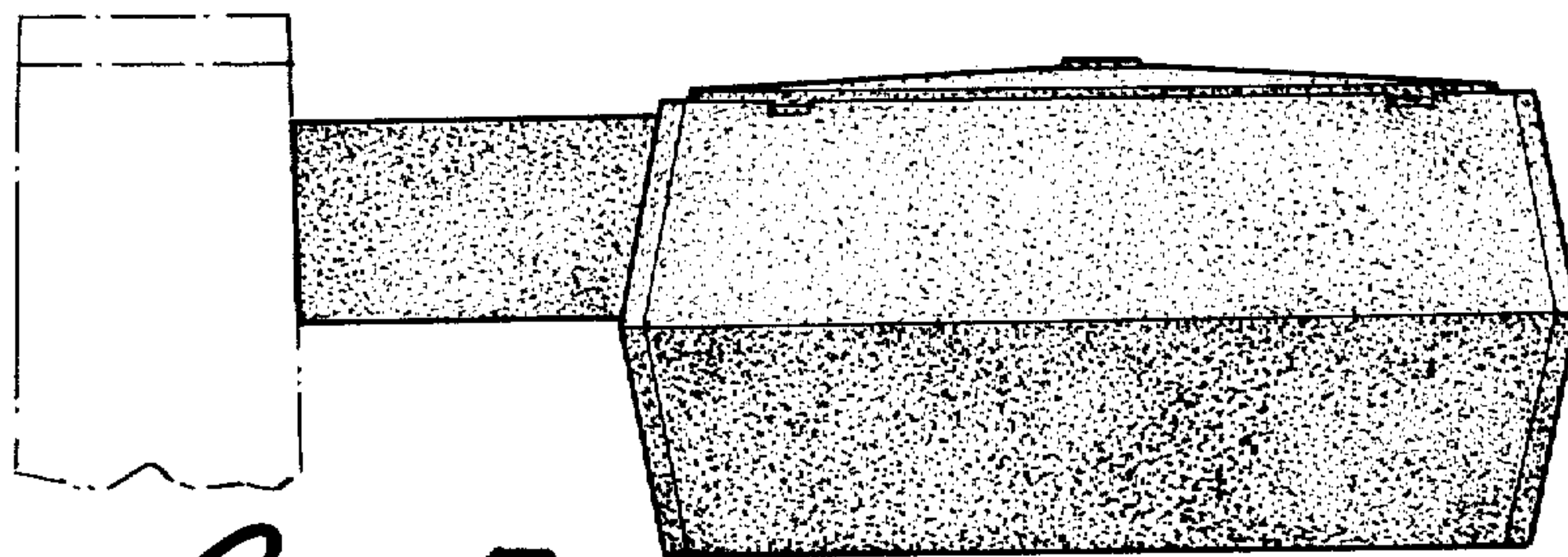
*Fig. 4*



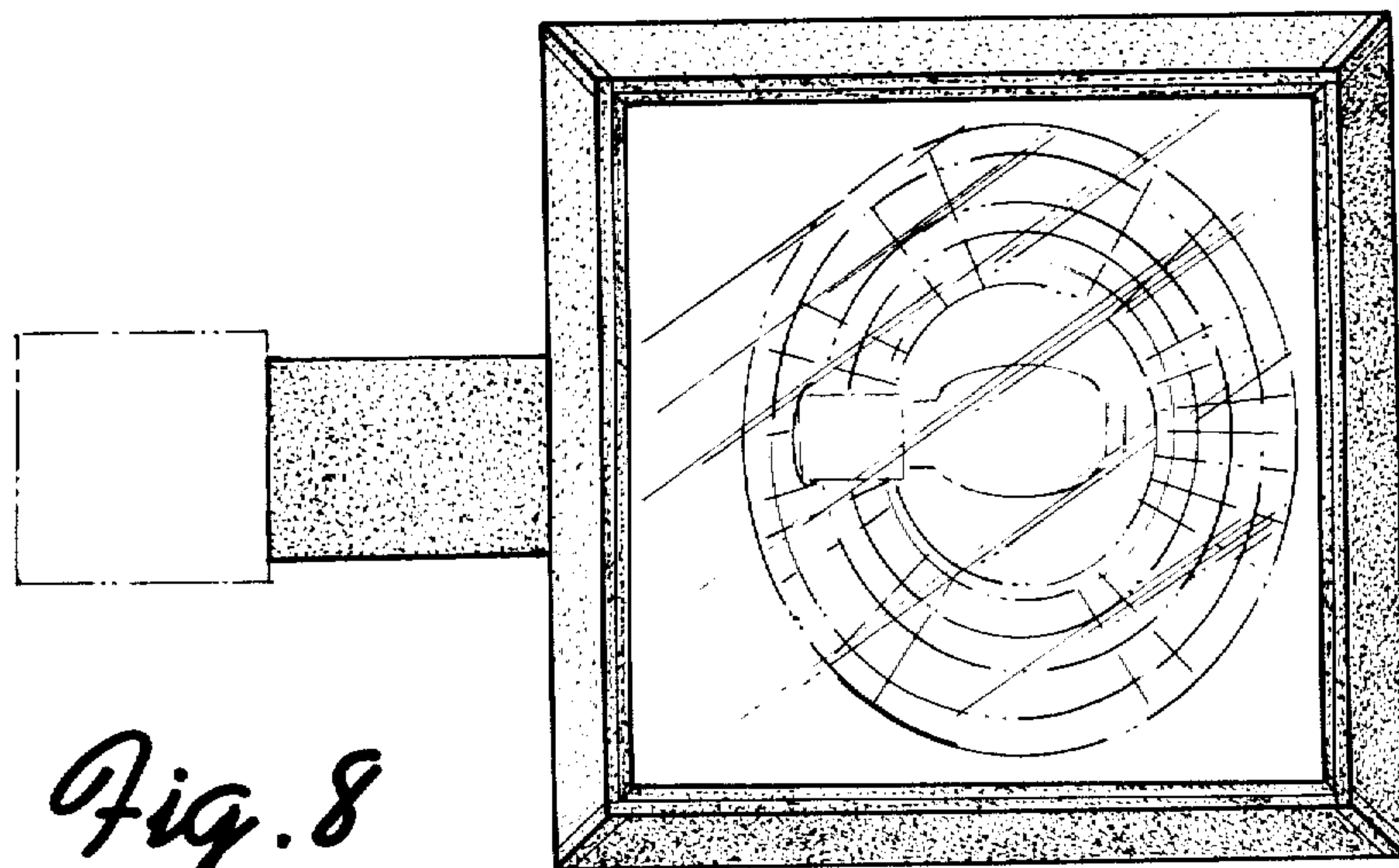
*Fig. 5*



*Fig. 6*



*Fig. 7*



*Fig. 8*