

- [54] SWING ARM LAMP
- [75] Inventor: Tadahide Okuno, Osaka, Japan
- [73] Assignee: Matsushita Electric Industrial Co., Ltd., Osaka, Japan
- [\*\*] Term: 14 Years
- [21] Appl. No.: 49,860
- [22] Filed: Jun. 18, 1979
- [30] Foreign Application Priority Data  
Dec. 20, 1978 [JP] Japan ..... 53-54138
- [51] Int. Cl. .... D26—05
- [52] U.S. Cl. .... D26/65
- [58] Field of Search ..... D26/60, 61, 62, 63,  
D26/64, 65, 66, 118, 128, 129, 130, 131, 132,  
133, 134, 135, 136, 137, 138; 362/396, 418, 419,  
427, 428, 430

- [56] References Cited  
FOREIGN PATENT DOCUMENTS  
1348255 11/1963 France ..... 362/419

OTHER PUBLICATIONS  
W. Bell & Co. Gift Catalog, 1977, p. 231, Desk Lamp #E.

Primary Examiner—Susan J. Lucas  
Attorney, Agent, or Firm—Sughrue, Mion, Zinn,  
Macpeak and Seas

[57] CLAIM  
The ornamental design for the swing arm lamp, as shown.

DESCRIPTION  
FIG. 1 is a front and right side perspective view of a swing arm lamp showing my new design; FIG. 2 is a front elevational view thereof; FIG. 3 is a rear elevational view thereof; FIG. 4 is a top plan view thereof; FIG. 5 is a bottom plan view thereof; FIG. 6 is a right side elevational view thereof; and FIG. 7 is a left side elevational view thereof.

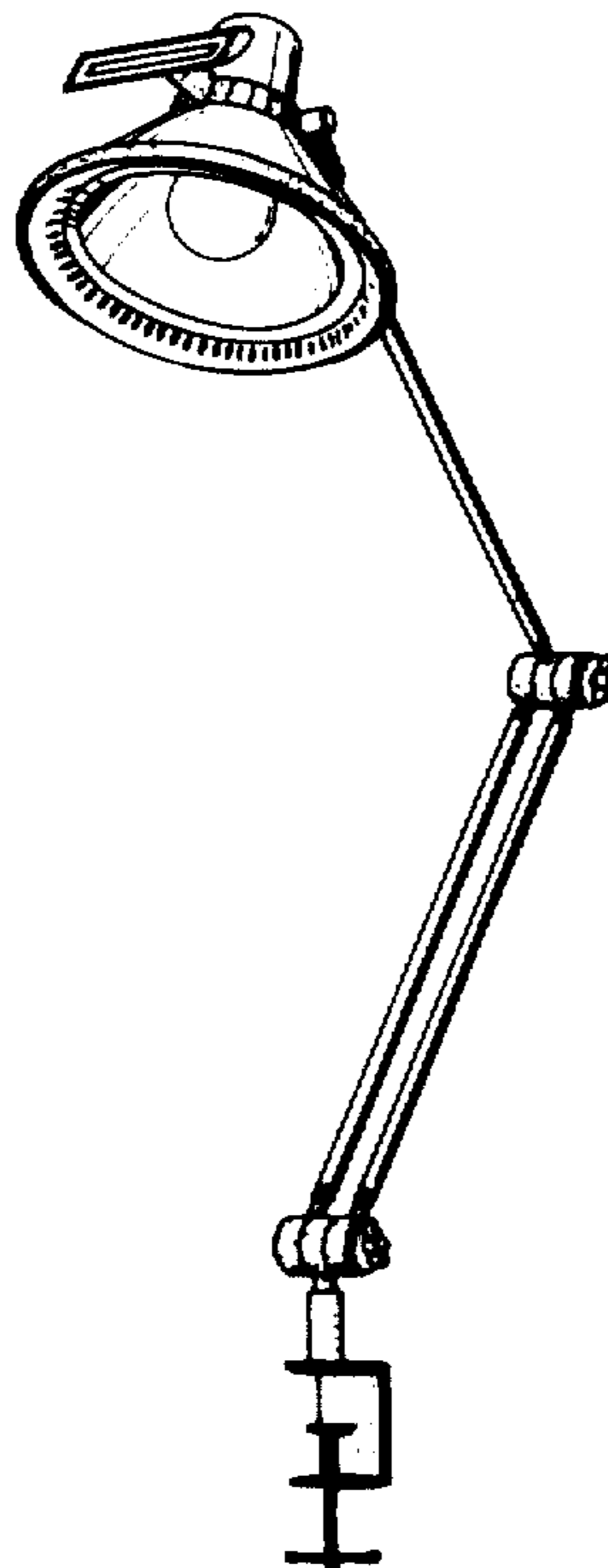


FIG. 1

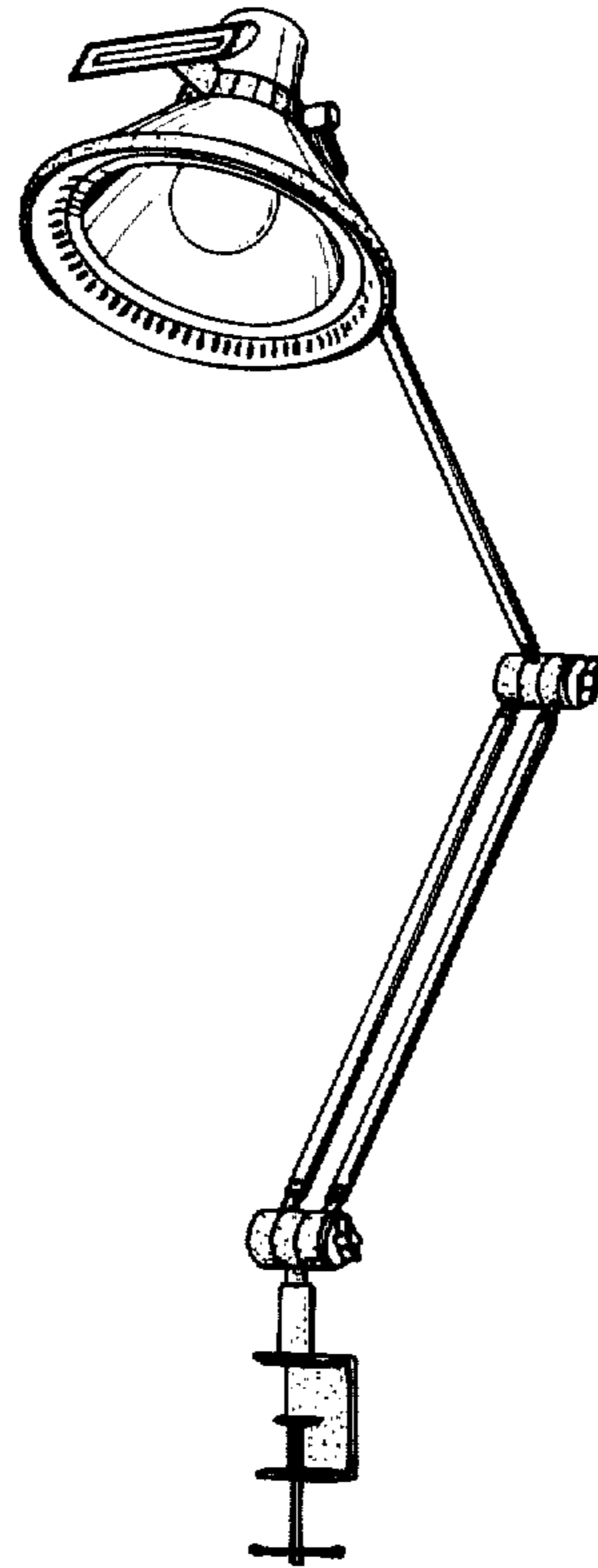


FIG. 6

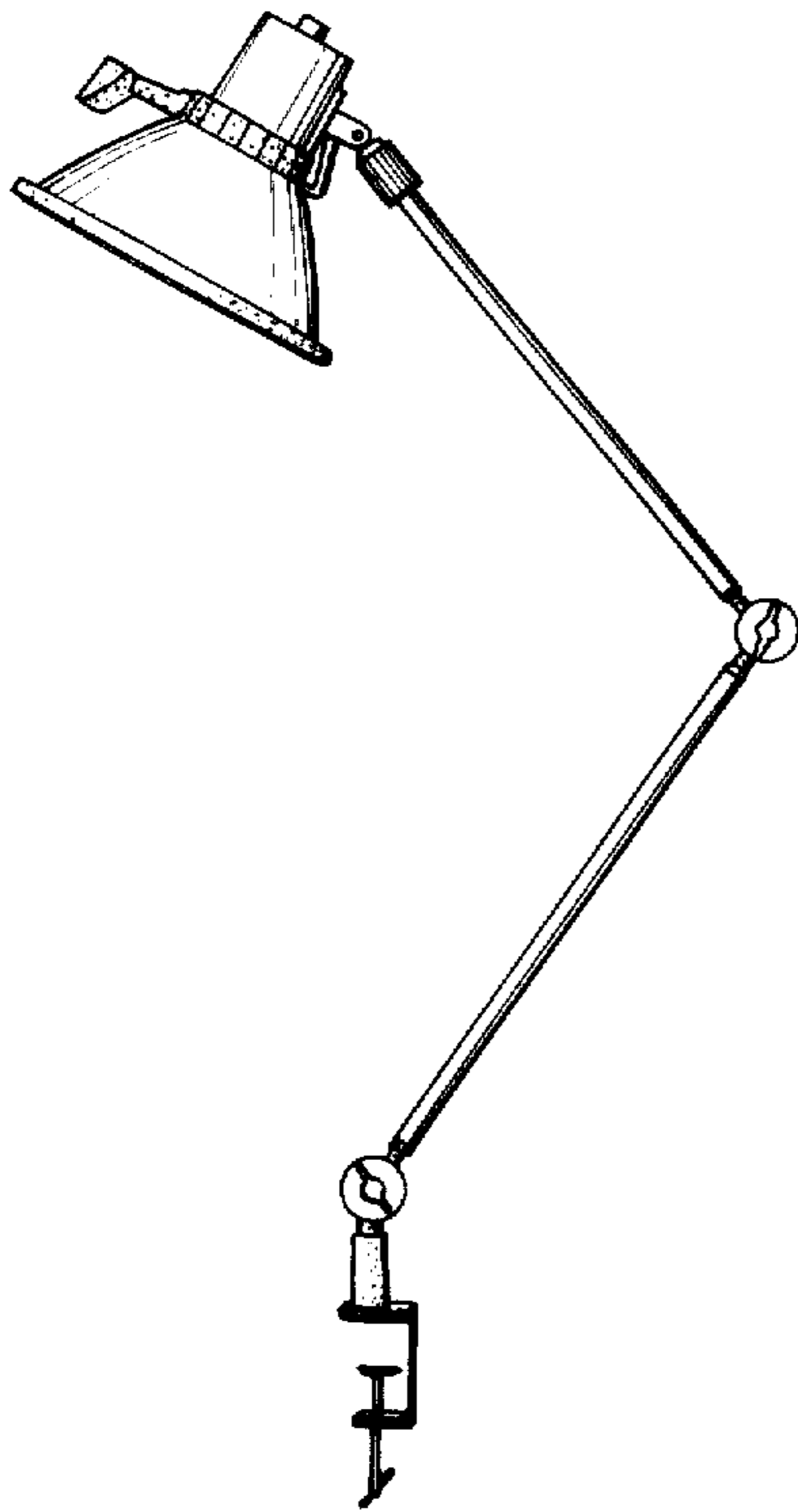


FIG. 7

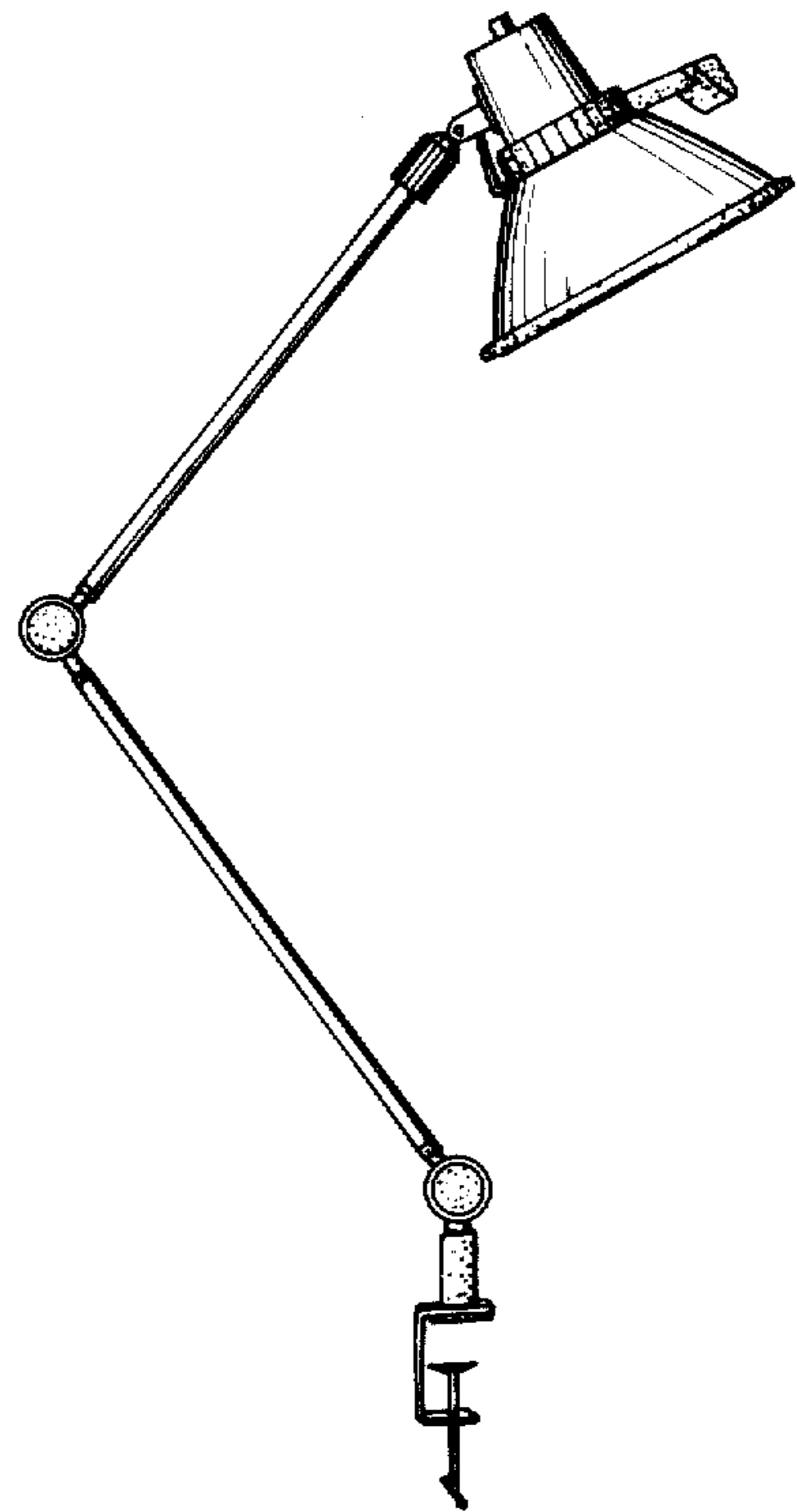


FIG. 2

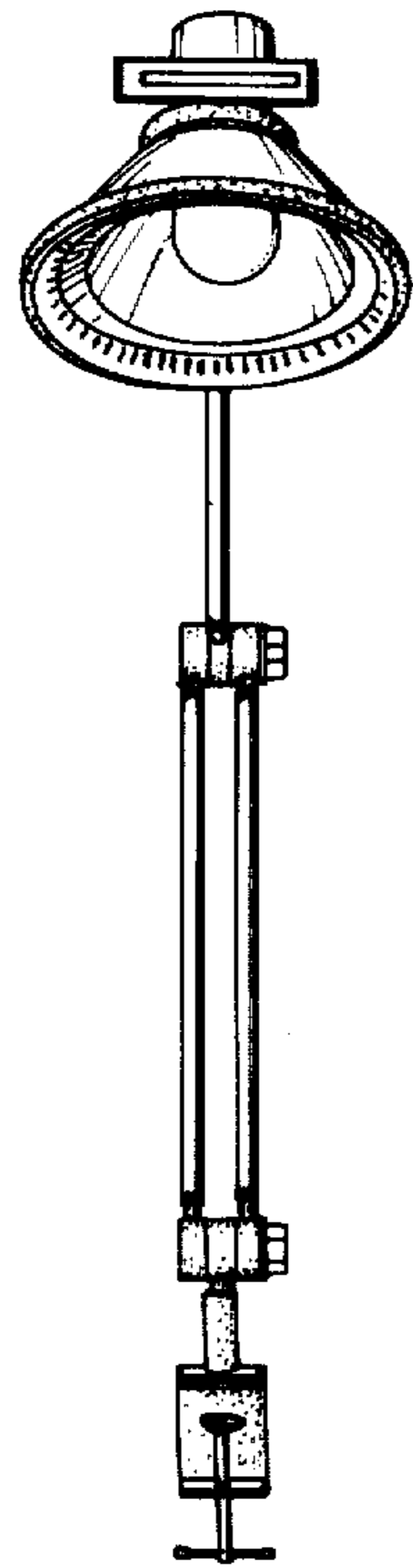


FIG. 3

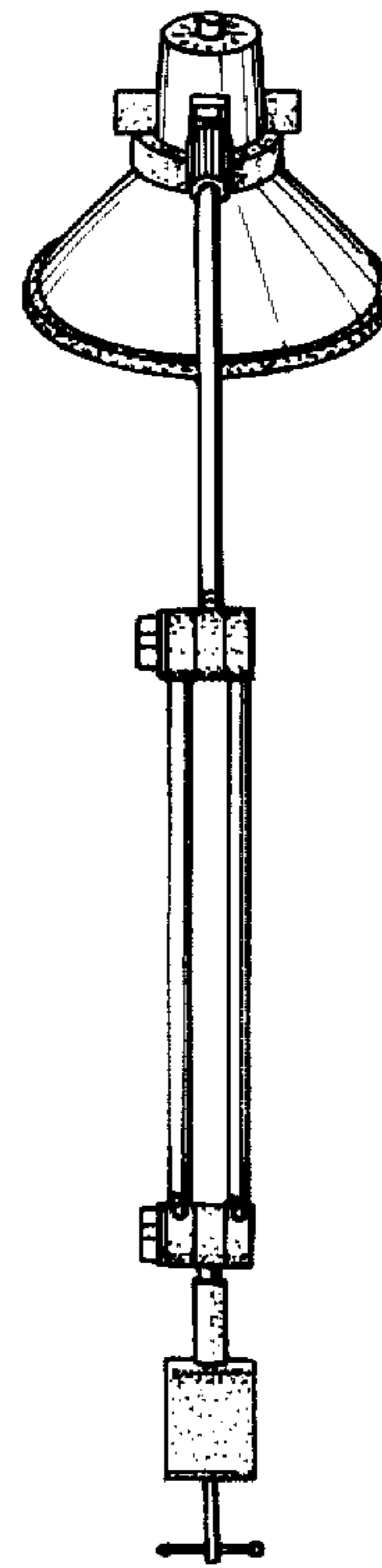


FIG. 4

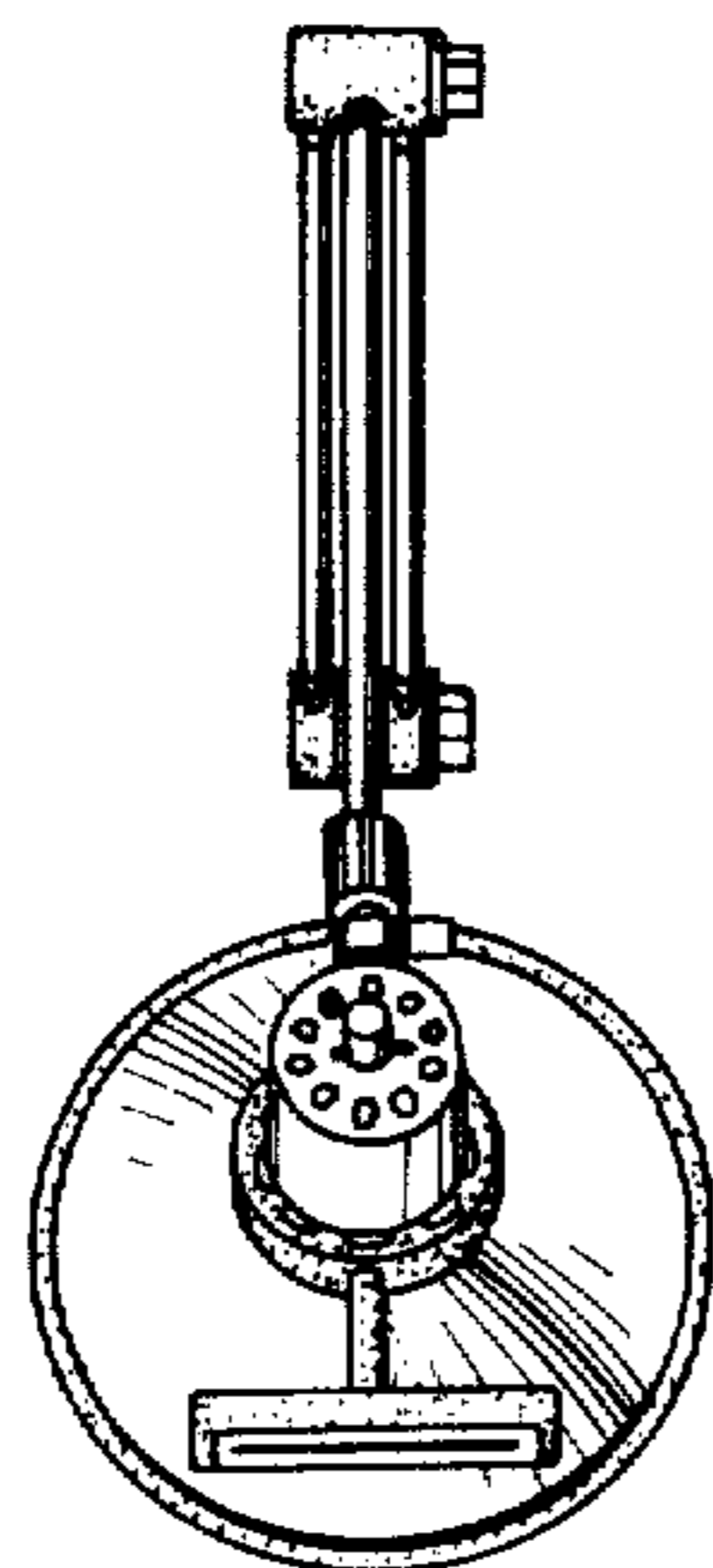


FIG. 5

