

[54] **HYDROTHERAPY POOL**

[75] Inventor: **Thomas H. Longmire**, Spokane, Wash.

[73] Assignee: **Holiday Pools Corporation**, Spokane, Wash.

[**] Term: **14 Years**

[21] Appl. No.: **128,974**

[22] Filed: **Mar. 10, 1980**

[51] Int. Cl. **D24—01; D23—2; D25—99**

[52] U.S. Cl. **D24/38; D23/55; D25/02**

[58] Field of Search **D24/38, 36; 128/66, 128/366; D25/2; 4/492, 489, 542, 513, 497, 524; D23/55, 56**

D. 206,143 11/1966 Jacuzzi D23/55 X
 D. 216,119 11/1969 Kaiser D23/55
 D. 253,366 11/1979 Weaver D23/55
 D. 254,571 3/1980 Reineman D25/2 X
 D. 254,870 4/1980 Ogden D24/38
 3,688,775 9/1972 Raymann 128/366
 3,952,338 4/1976 Traxclair 4/492

Primary Examiner—Bernard Ansher
Attorney, Agent, or Firm—Wells, St. John & Roberts

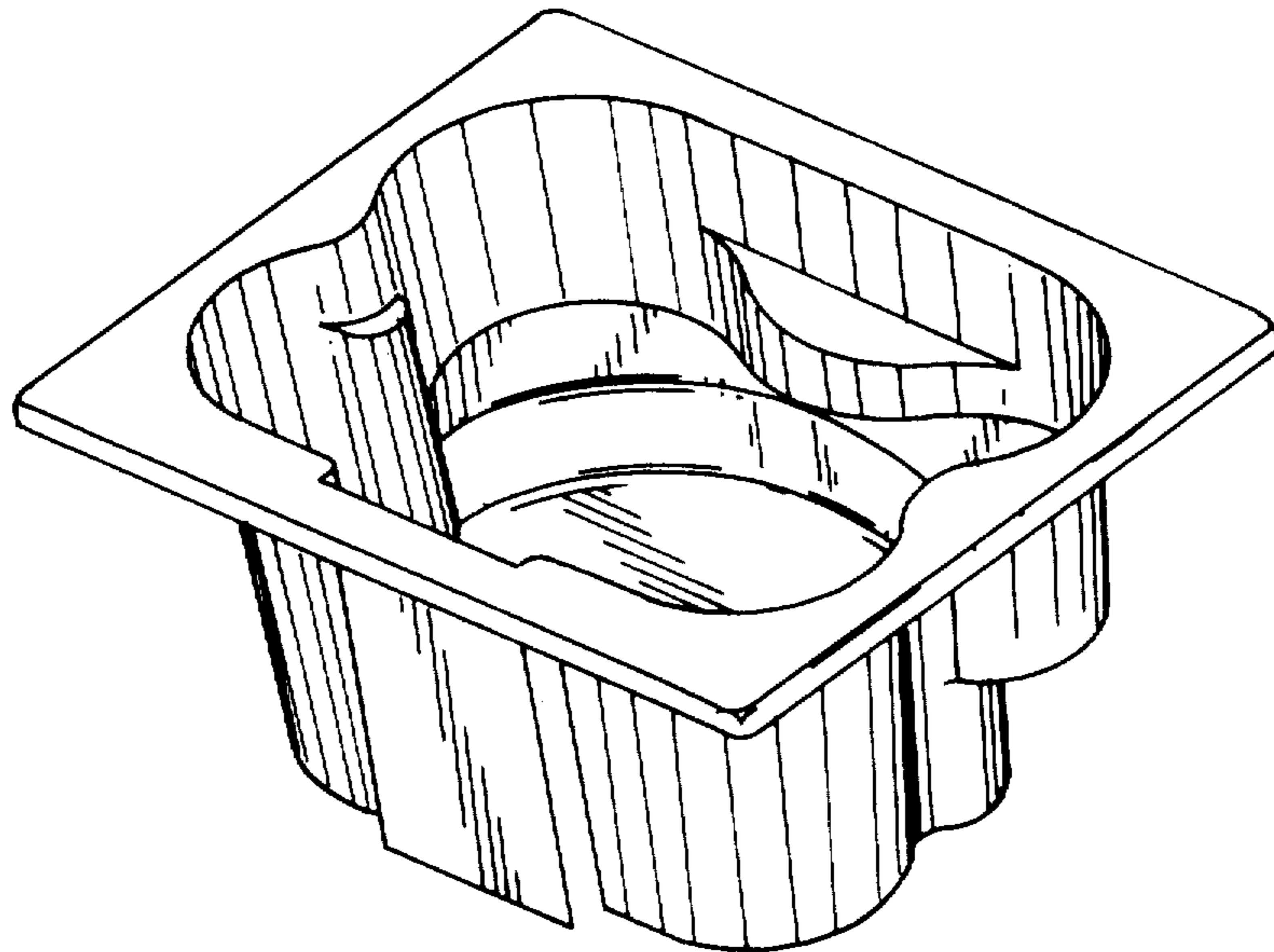
[57] **CLAIM**

The ornamental design for a hydrotherapy pool, as shown and described.

DESCRIPTION

FIG. 1 is a perspective view of a hydrotherapy pool showing my new design;
 FIG. 2 is an enlarged top plan view thereof;
 FIG. 3 is a side elevational view thereof;
 FIG. 4 is an end view, the opposite end being identical thereto;
 FIG. 5 is an elevational view opposite to FIG. 3;
 FIG. 6 is a sectional view along line 6—6 in FIG. 2;
 FIG. 7 is a sectional view along line 7—7 in FIG. 2;
 FIG. 8 is a fragmentary view along line 8—8 in FIG. 2.

[56] **References Cited**
U.S. PATENT DOCUMENTS
 D. 51,506 11/1917 Miyahara D23/55
 D. 198,257 5/1964 Kerns et al. D23/55



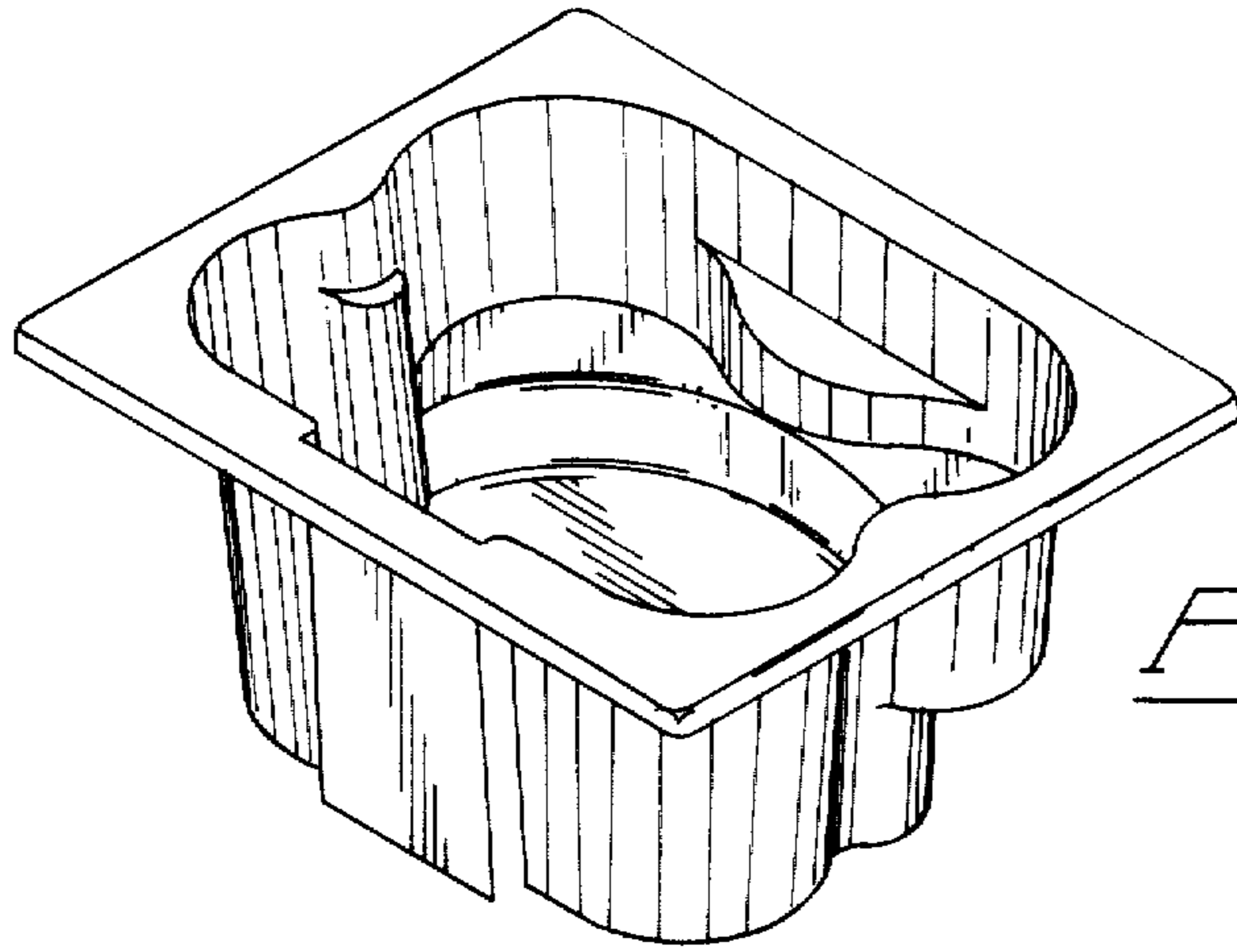


FIG 1

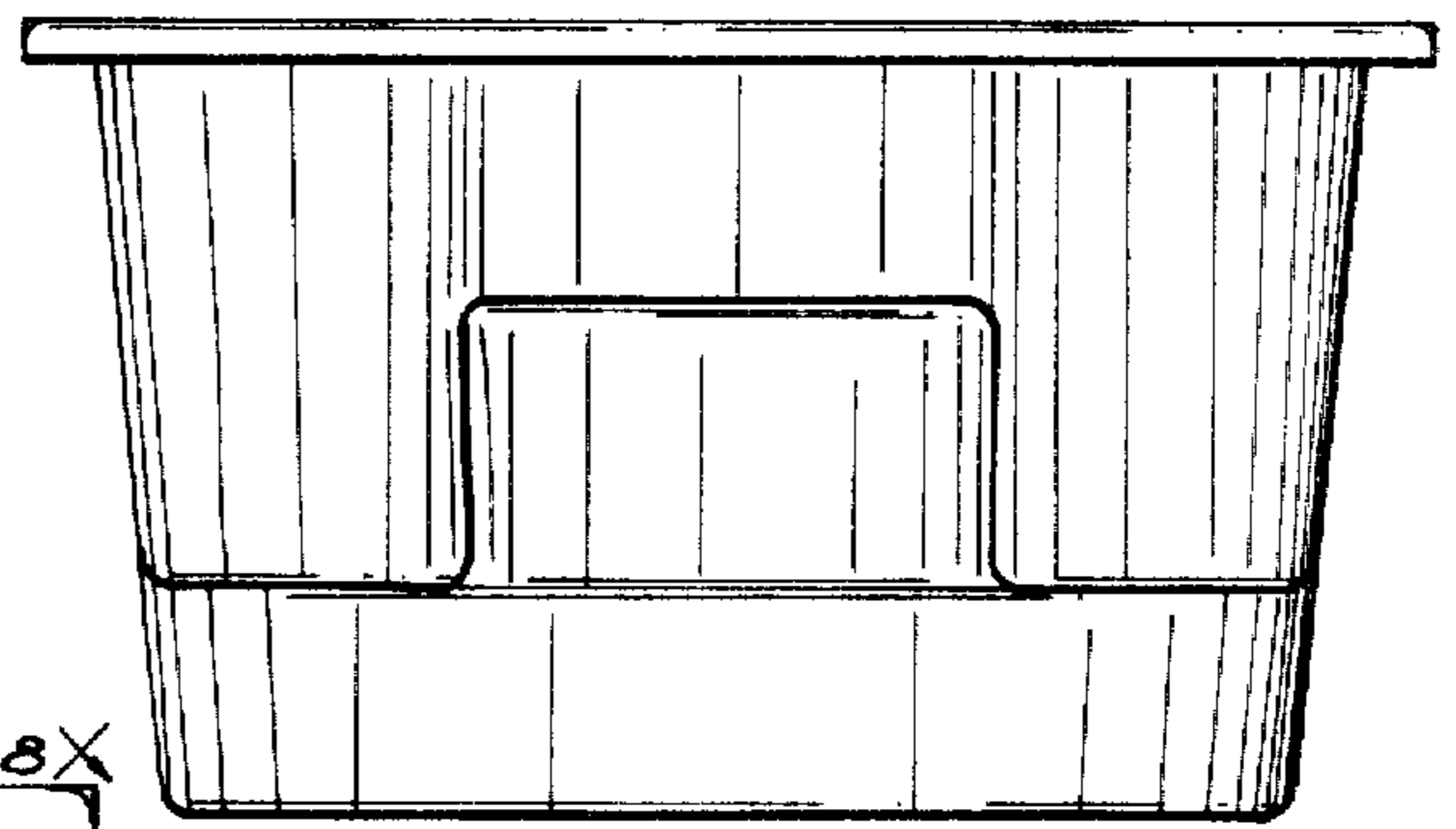


FIG 5

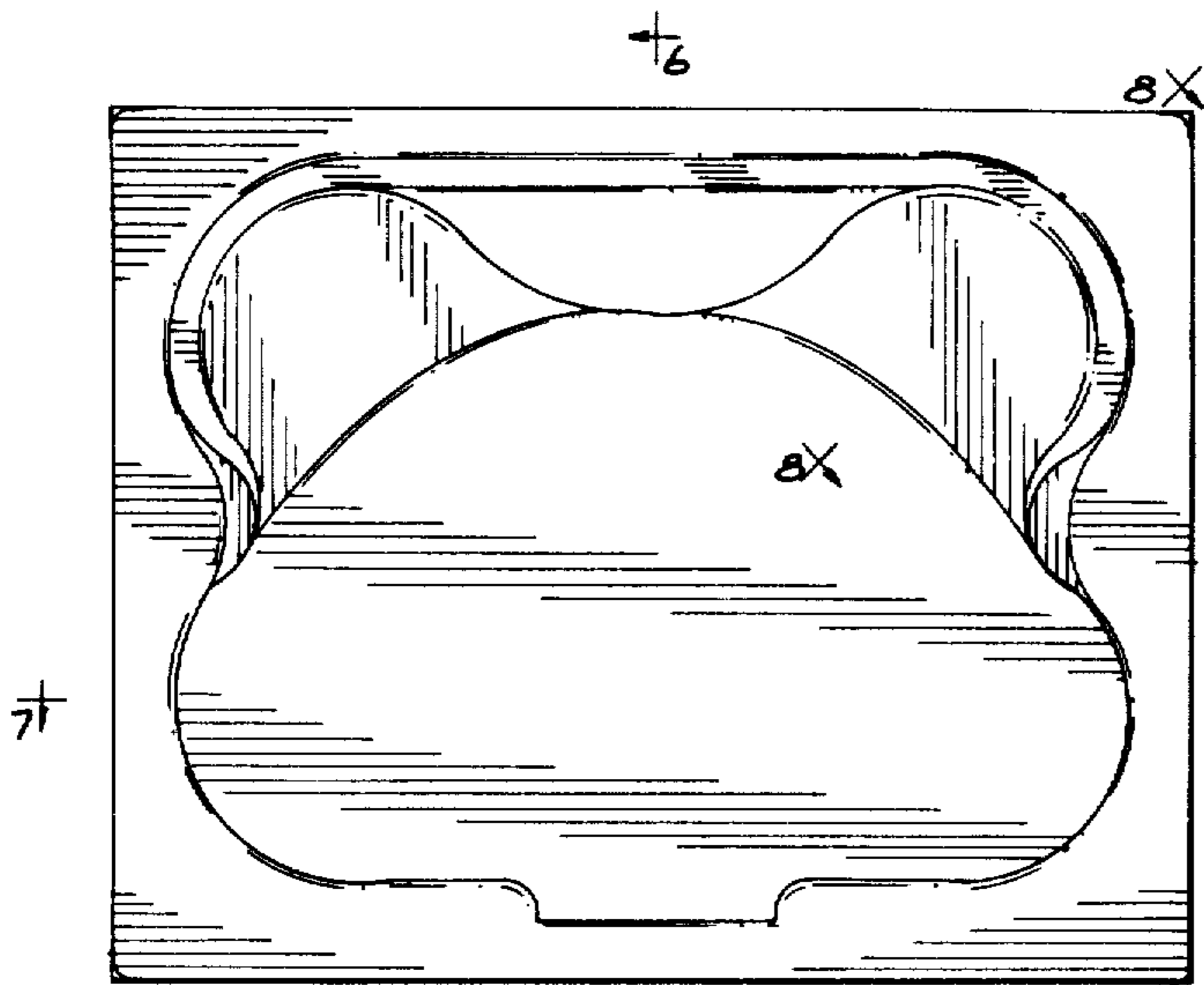


FIG 2

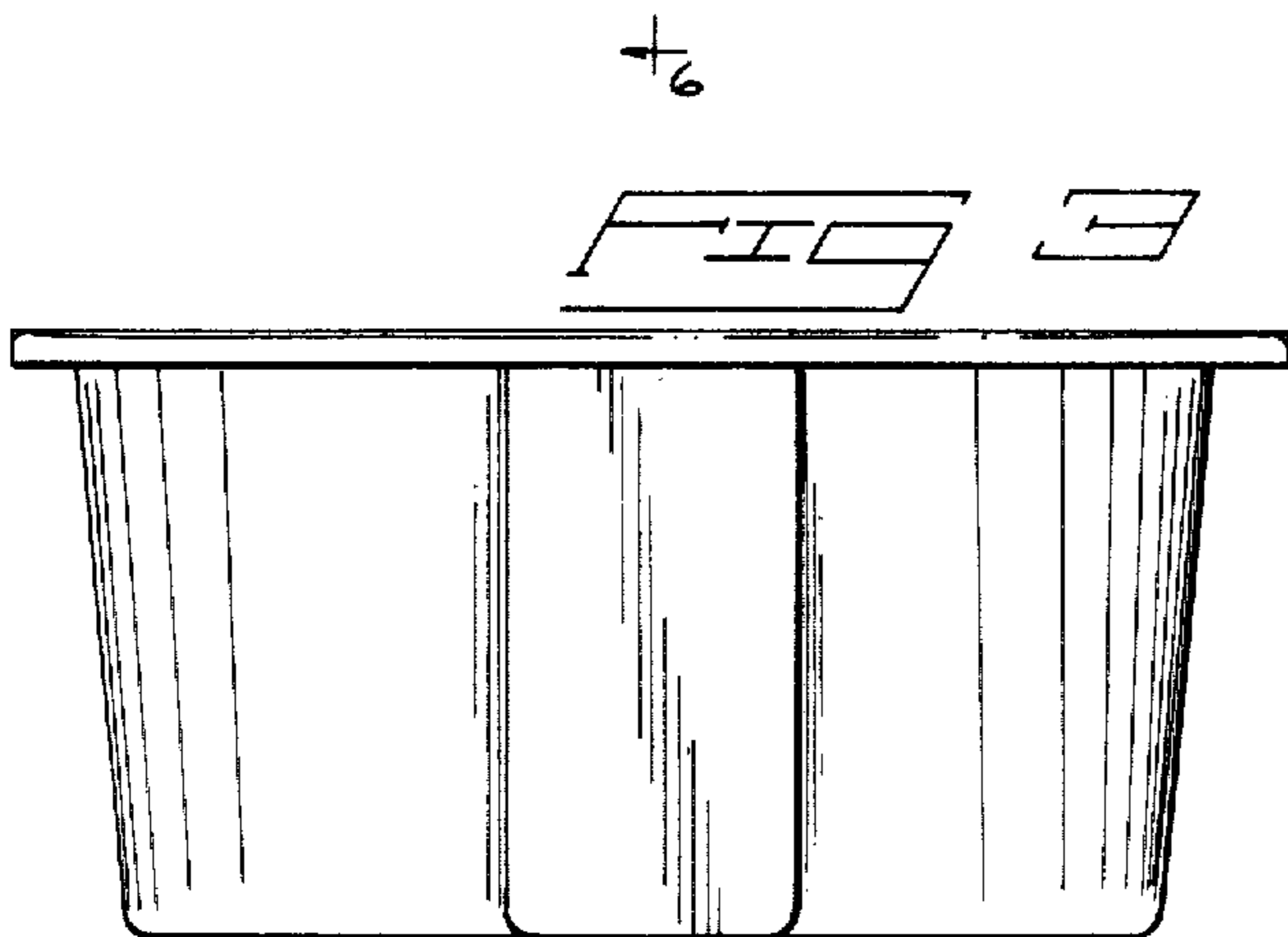


FIG 3

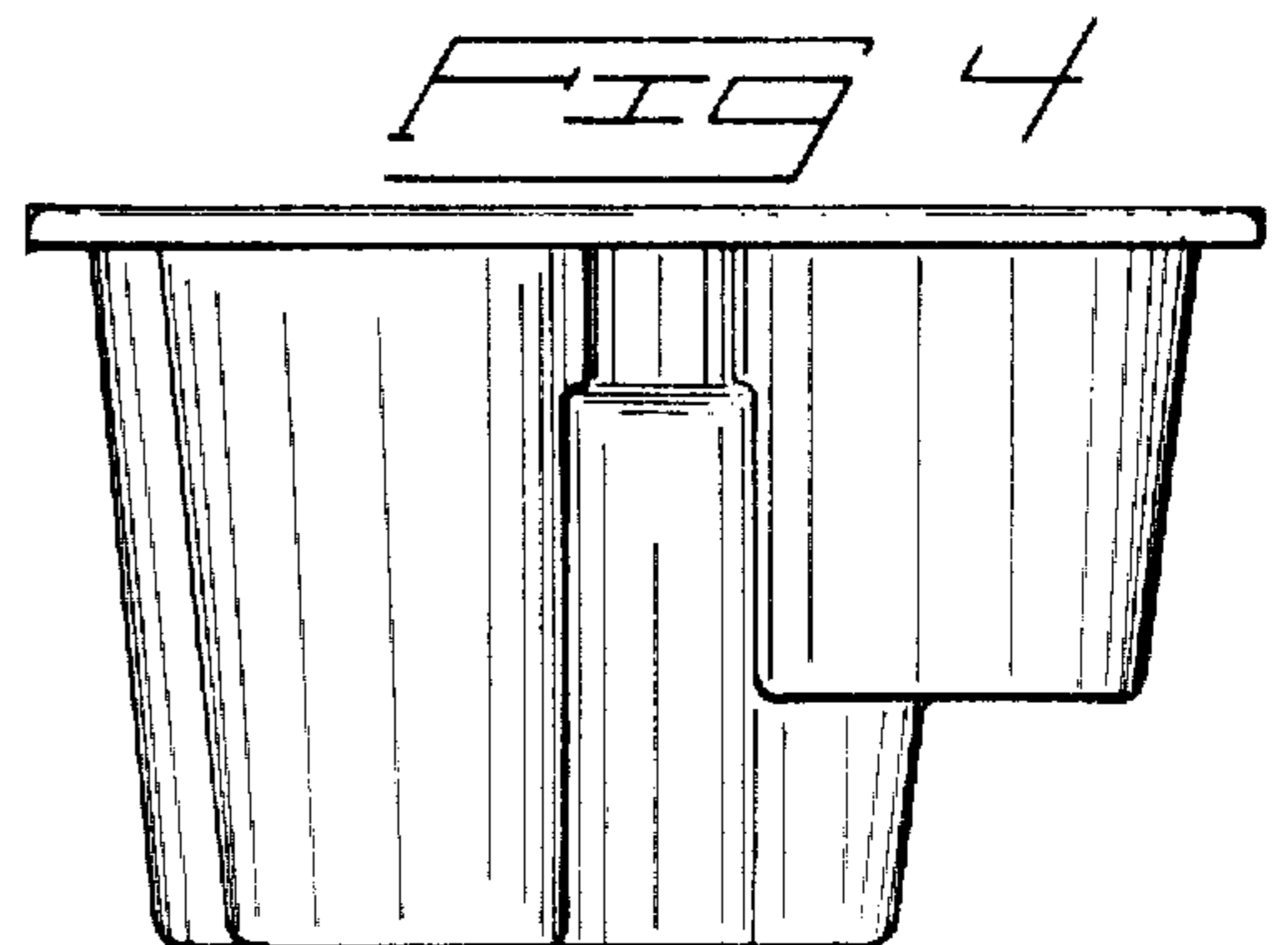


FIG 4

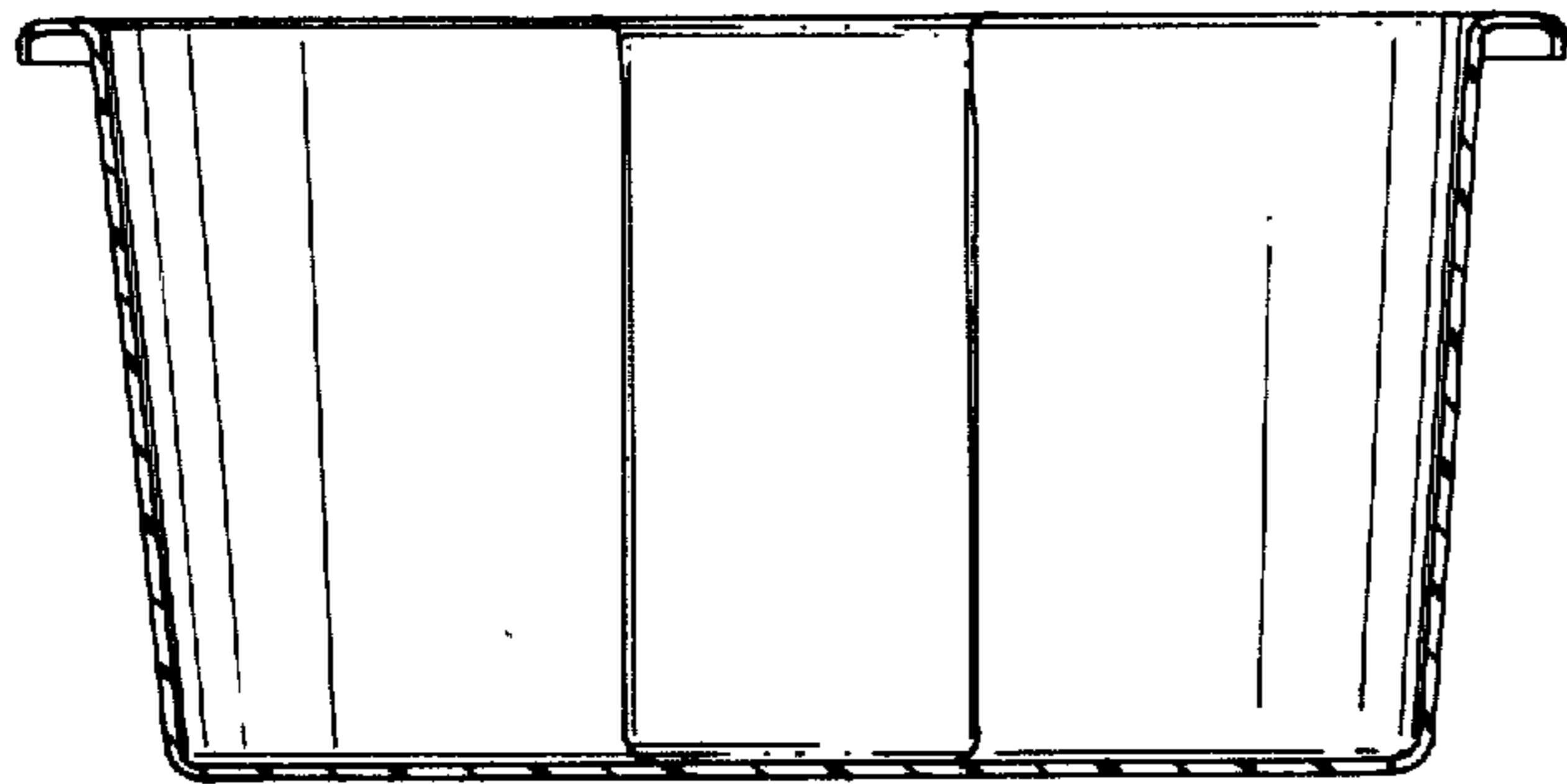


FIG 6

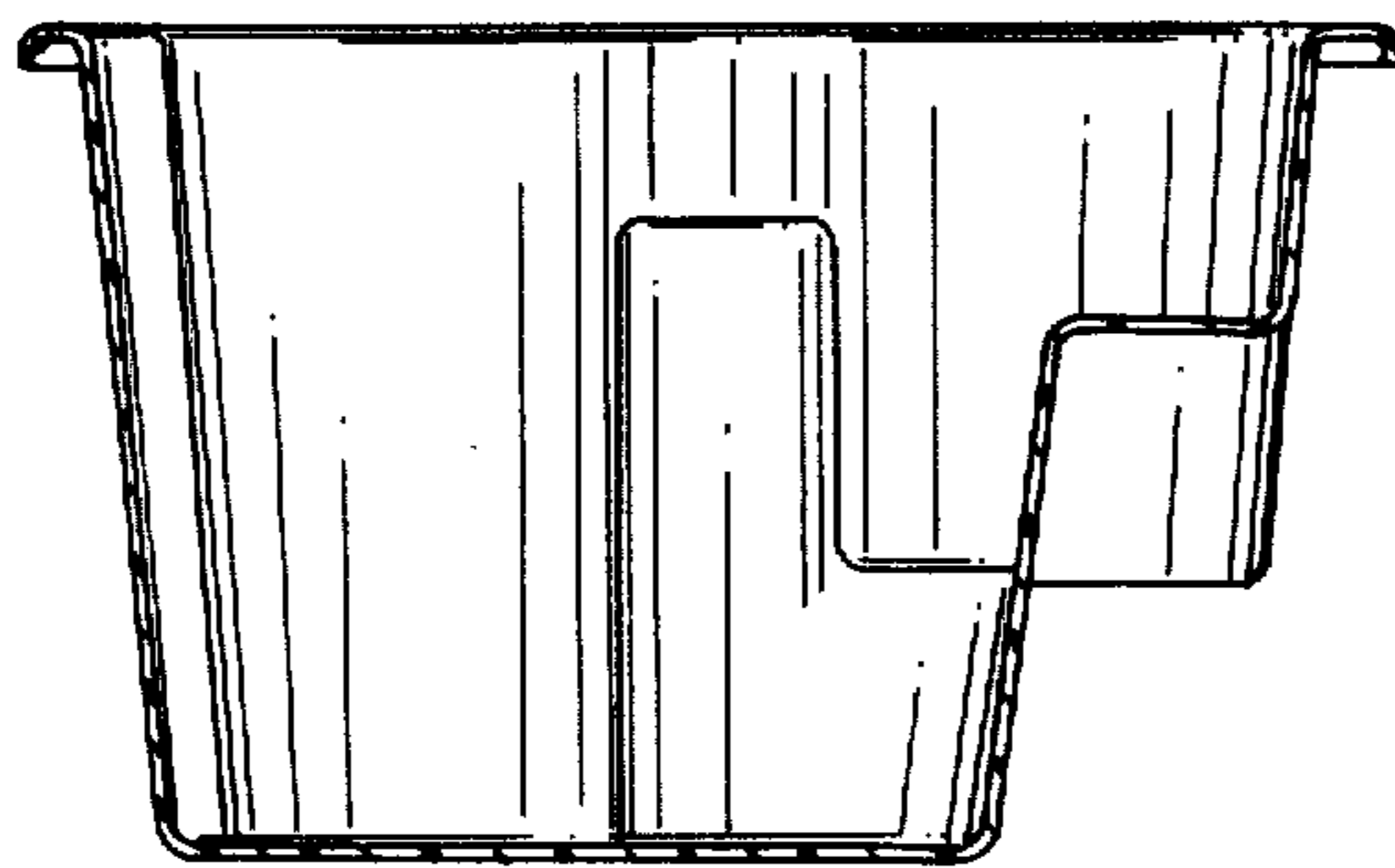


FIG 7

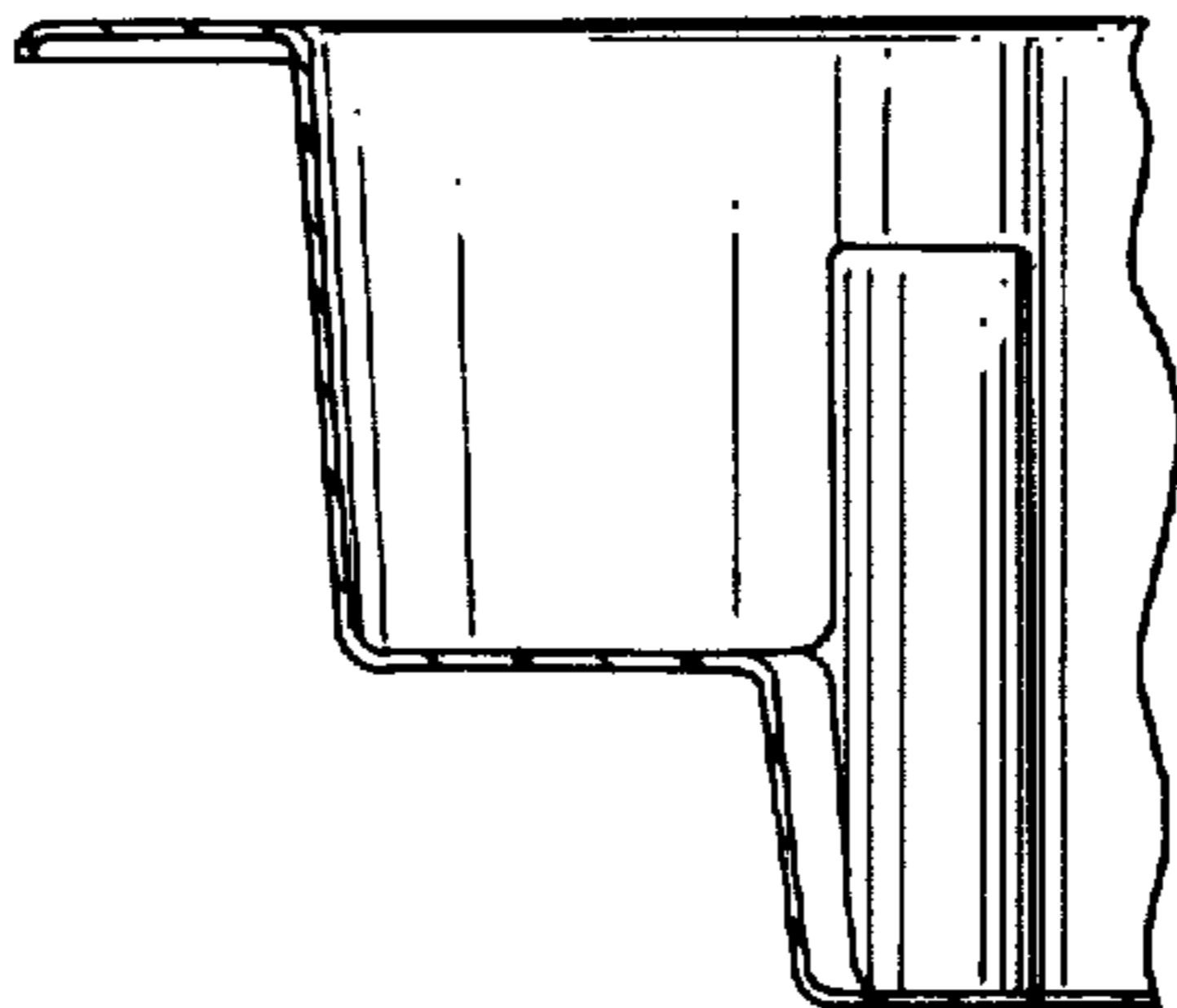


FIG 8