

[54] STOVE

[56] References Cited

[76] Inventors: Donald R. Jackson; Donald R. Jackson, both of P.O. Box 195, Malta, Ohio 43758

U.S. PATENT DOCUMENTS

D. 252,101 6/1979 Orlando ..... D23/97  
2,789,554 4/1957 Dupler ..... 126/63  
4,136,663 1/1979 Gneiting et al. .... 126/63

[\*\*] Term: 14 Years

Primary Examiner—Catherine E. Kemper  
Attorney, Agent, or Firm—Millard & Cox

[21] Appl. No.: 135,086

[57] CLAIM

The ornamental design for a stove, as shown.

[22] Filed: Mar. 28, 1980

DESCRIPTION

[51] Int. Cl. .... D23-03  
[52] U.S. Cl. .... D23/97  
[58] Field of Search ..... D23/72, 92-97,  
D23/105; 126/4, 6, 58, 60-66, 120, 121, 123,  
126

FIG. 1 is a side elevational view of a stove, showing my new design;  
FIG. 2 is a top plan view thereof;  
FIG. 3 is a front elevational view thereof;  
FIG. 4 is a rear elevational view thereof;  
FIG. 5 is an elevational view of the side opposite that shown in FIG. 1; and  
FIG. 6 is a bottom plan view thereof.

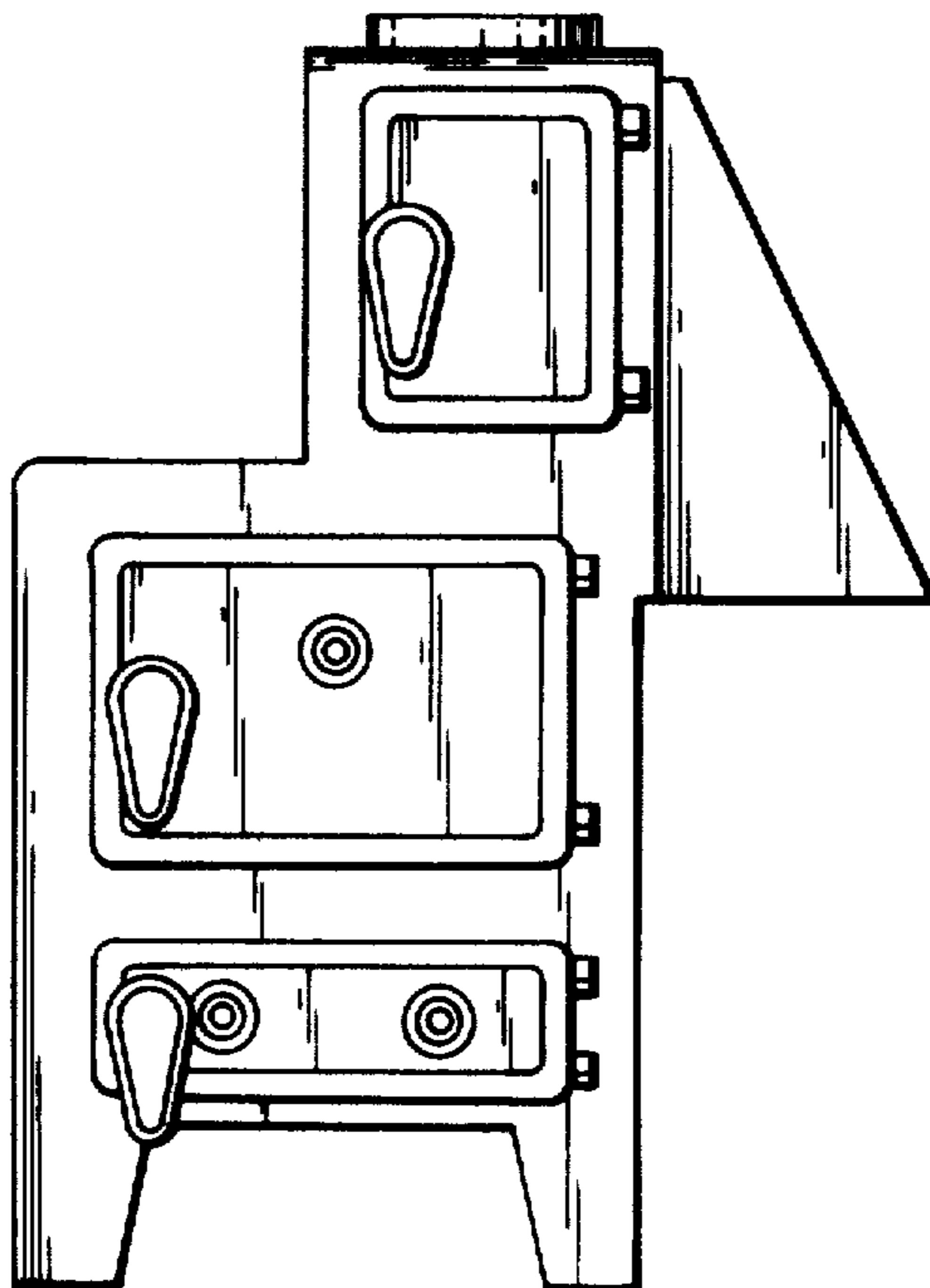


FIG. 1

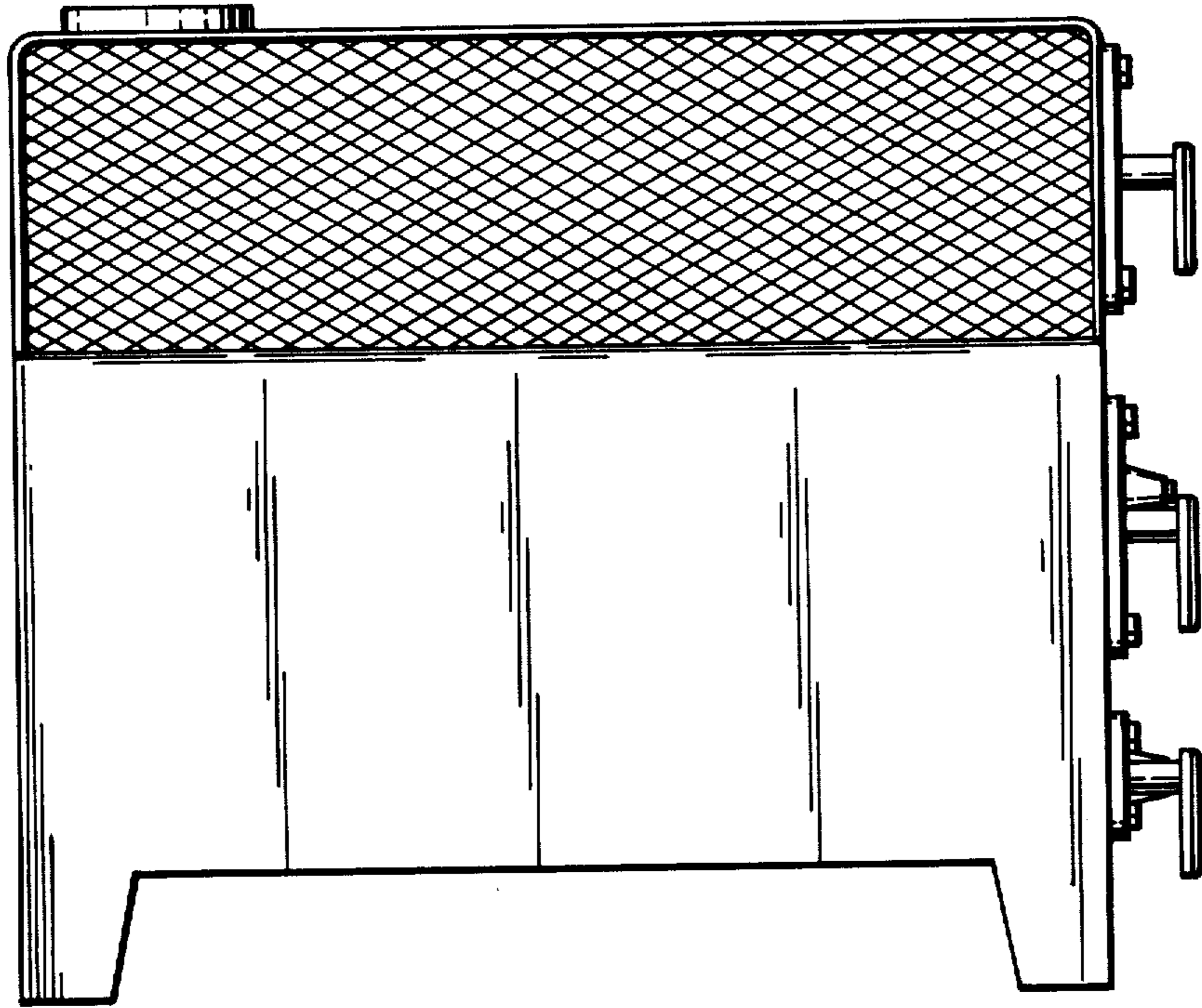
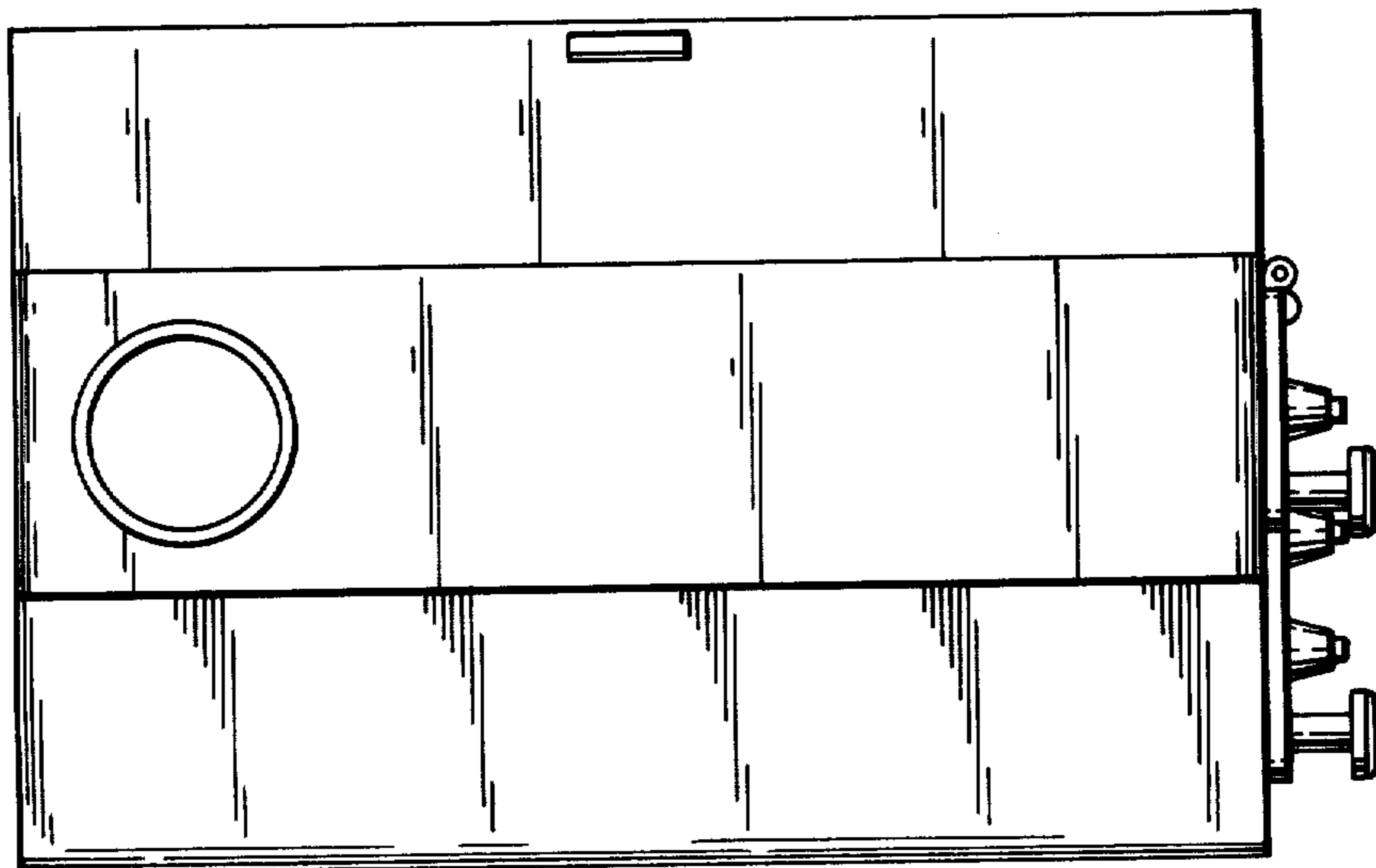


FIG. 2



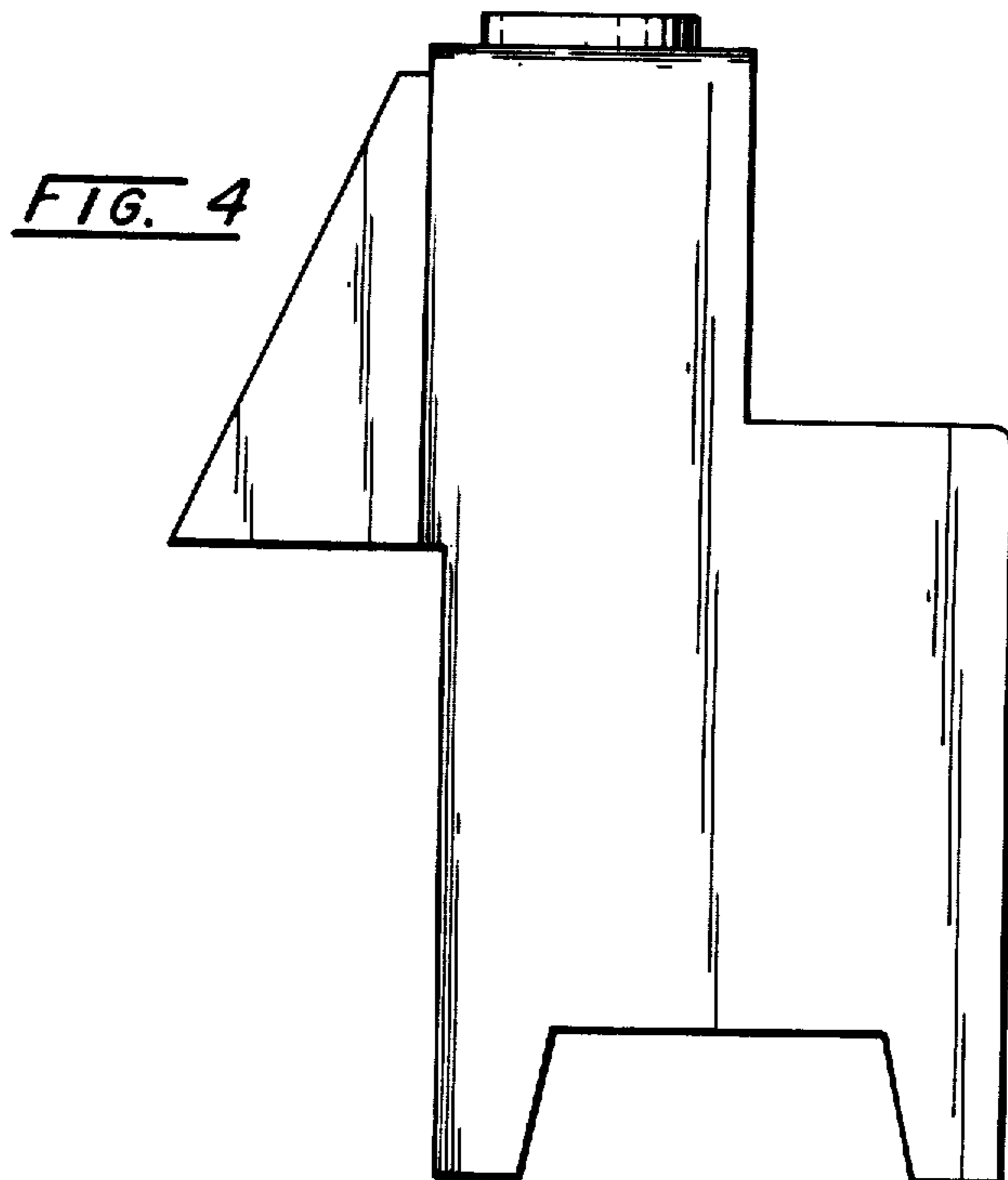
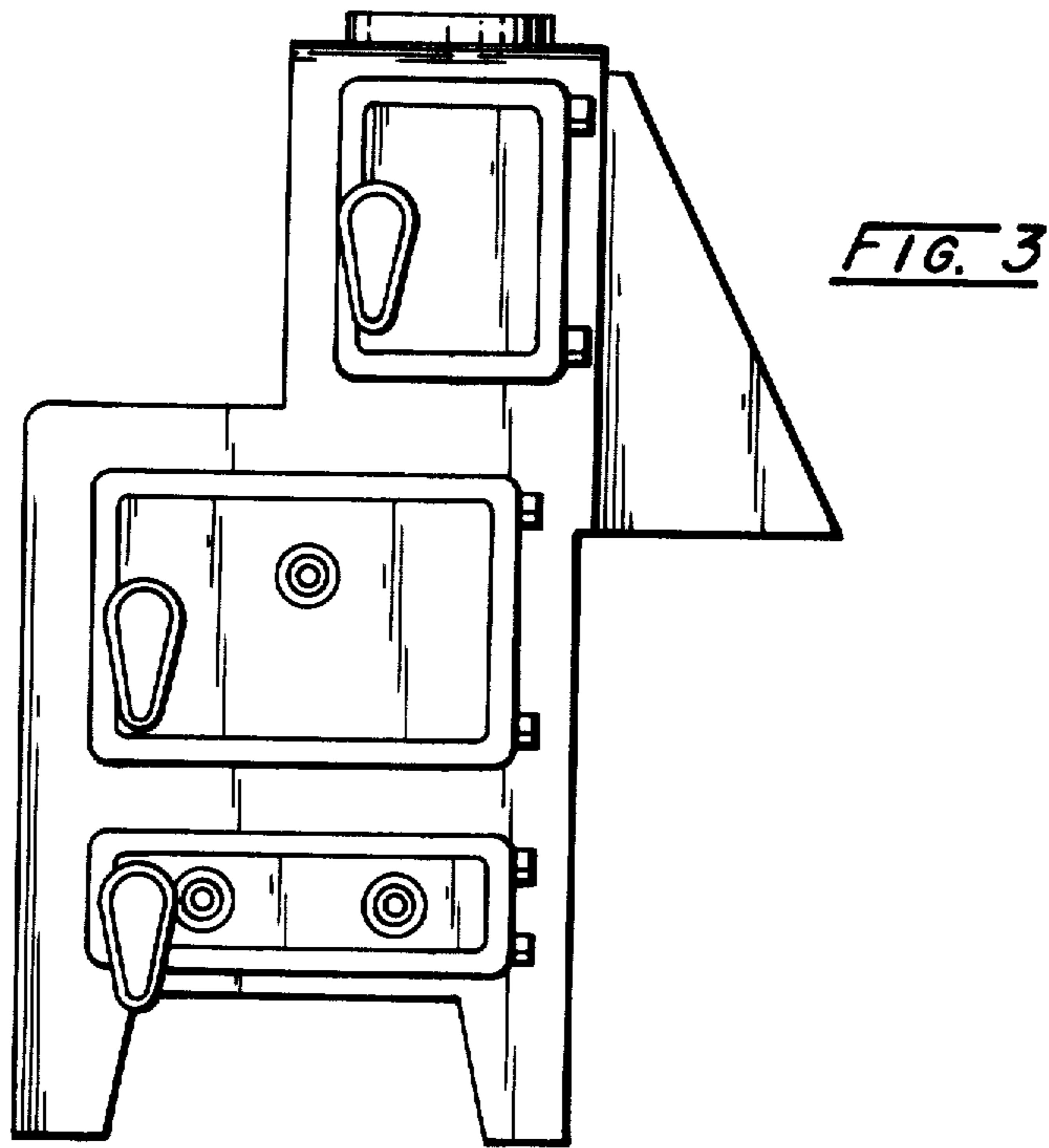


FIG. 5

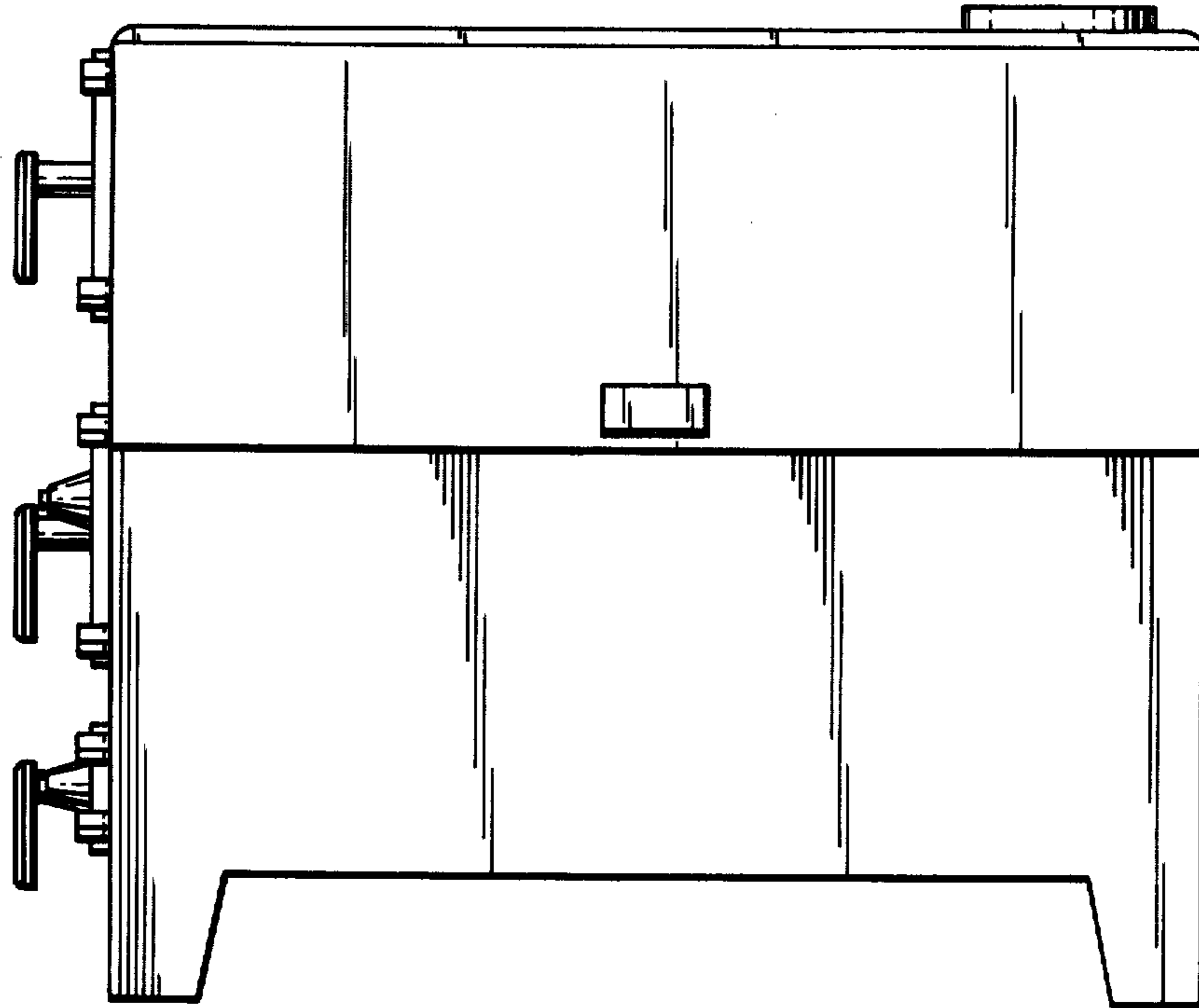


FIG. 6

