

[54] FIREPLACE INSERT

[75] Inventor: Charles P. Becker, Jr., Olivette, Mo.

[73] Assignee: Charles Becker Associates, Inc.,
Fenton, Mo.

[**] Term: 14 Years

[21] Appl. No.: 157,987

[22] Filed: Jun. 9, 1980

[51] Int. Cl. D23-03

[52] U.S. Cl. D23/94

[58] Field of Search D23/92-97;
126/120, 121, 123, 126, 58, 60-66

[56] References Cited

U.S. PATENT DOCUMENTS

4,015,581 4/1977 Martenson 126/121

Primary Examiner—Catherine E. Kemper
Attorney, Agent, or Firm—Kalish & Gilster

[57] CLAIM

The ornamental design for a fireplace insert, as shown.

DESCRIPTION

FIG. 1 is a perspective view of a fireplace insert showing my new design.

FIG. 2 is a side elevational view.

FIG. 3 is a front elevational view.

FIG. 4 is a top plan view.

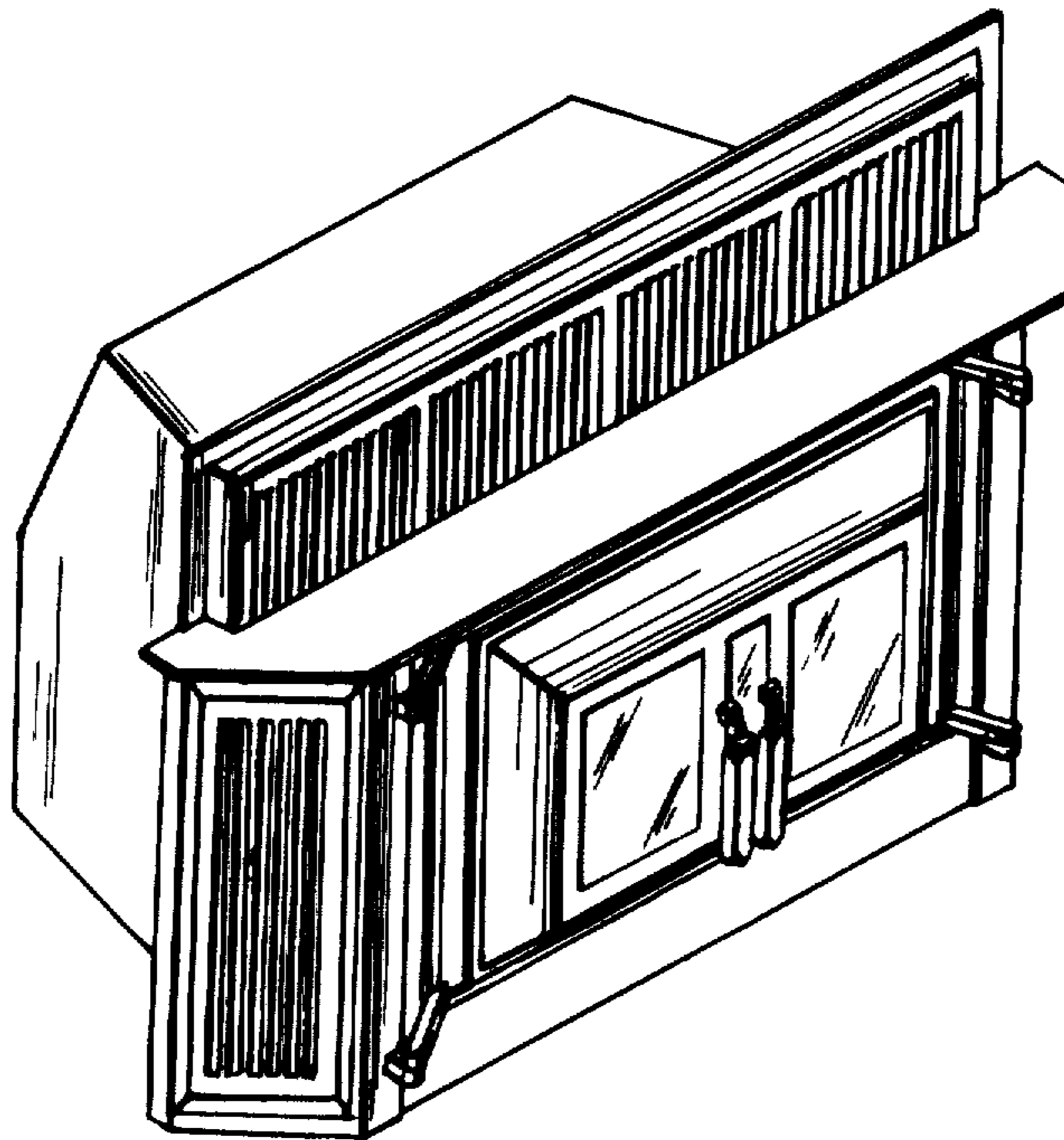


FIG. 1

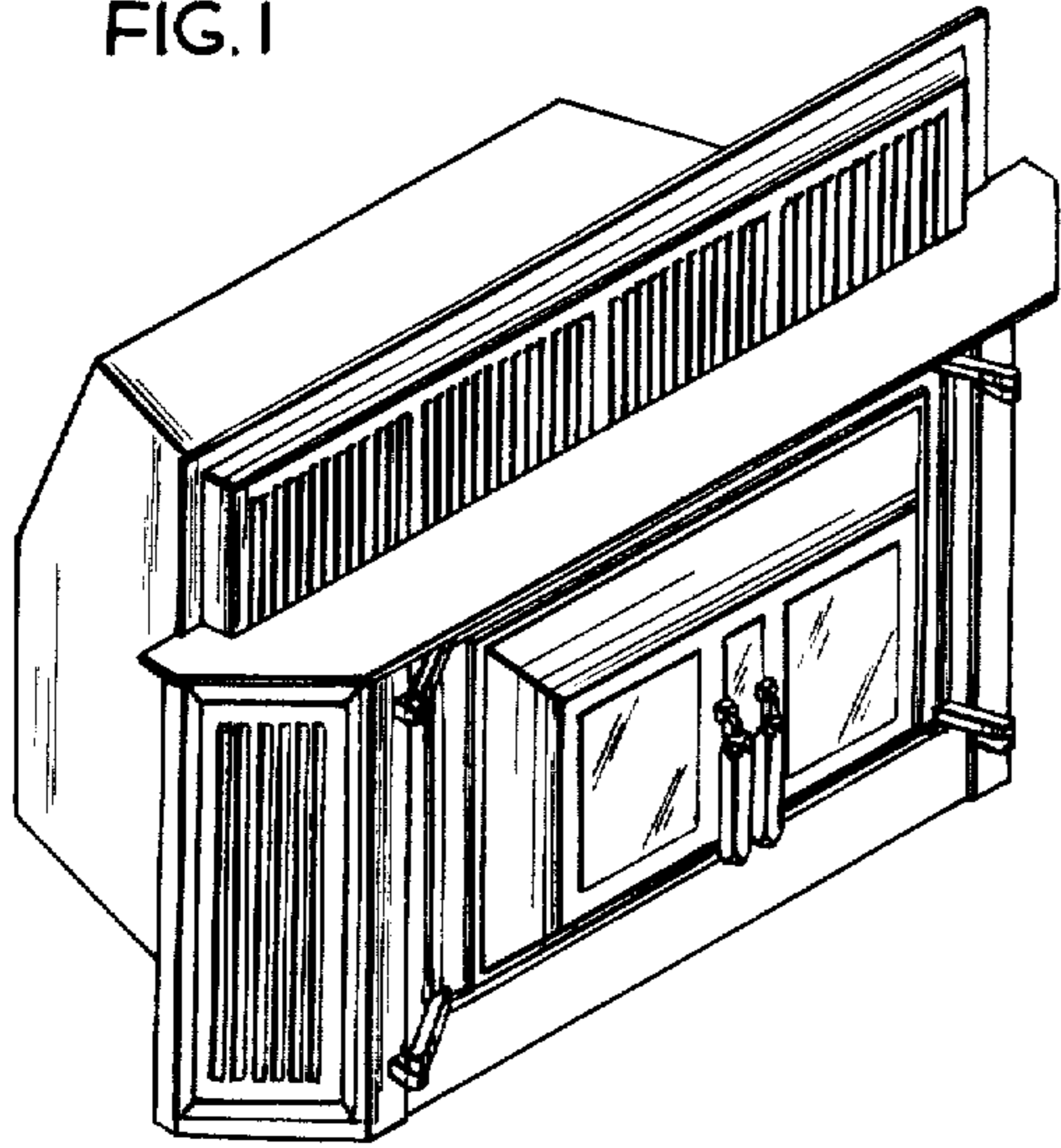


FIG. 2

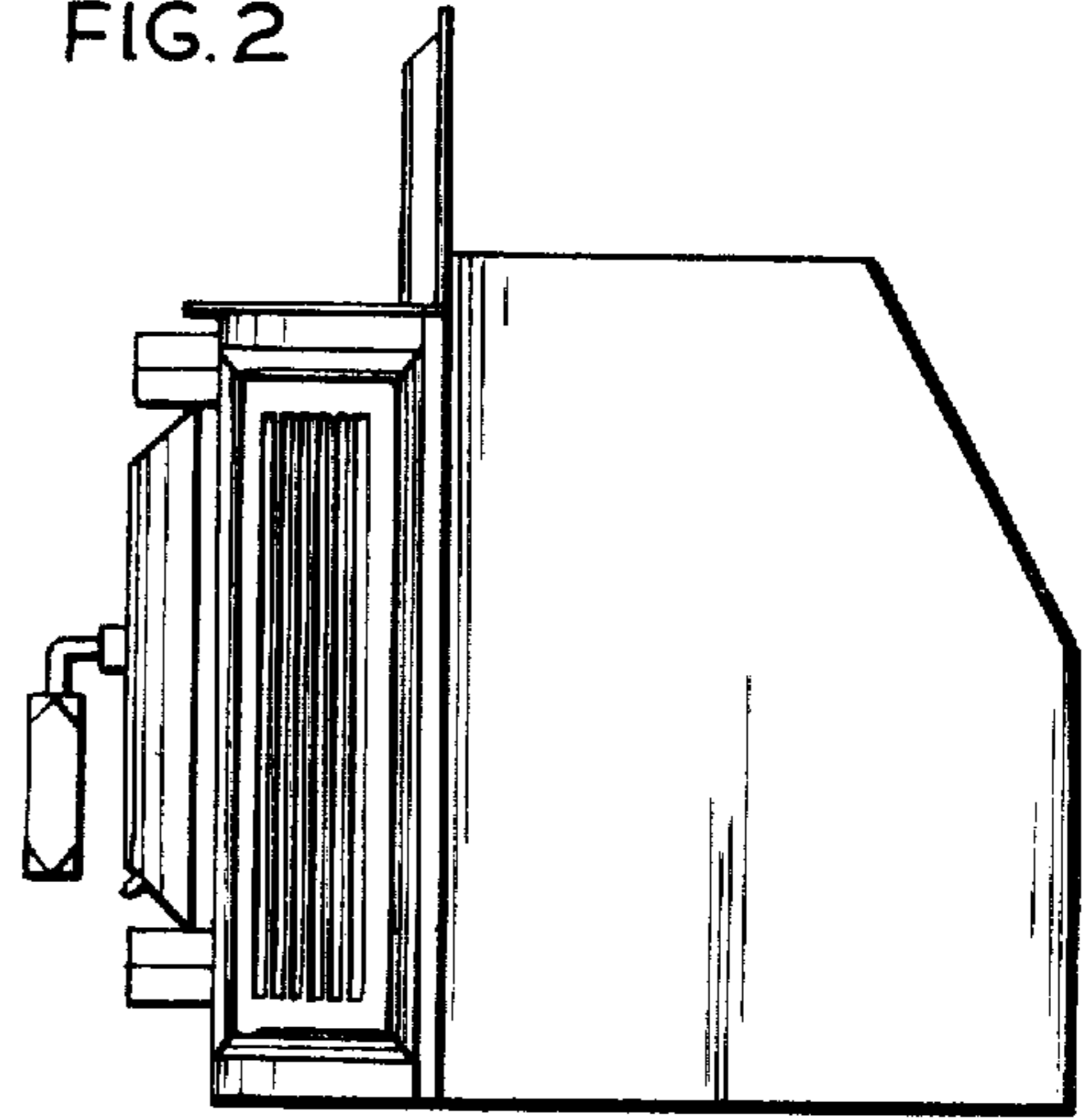


FIG. 3

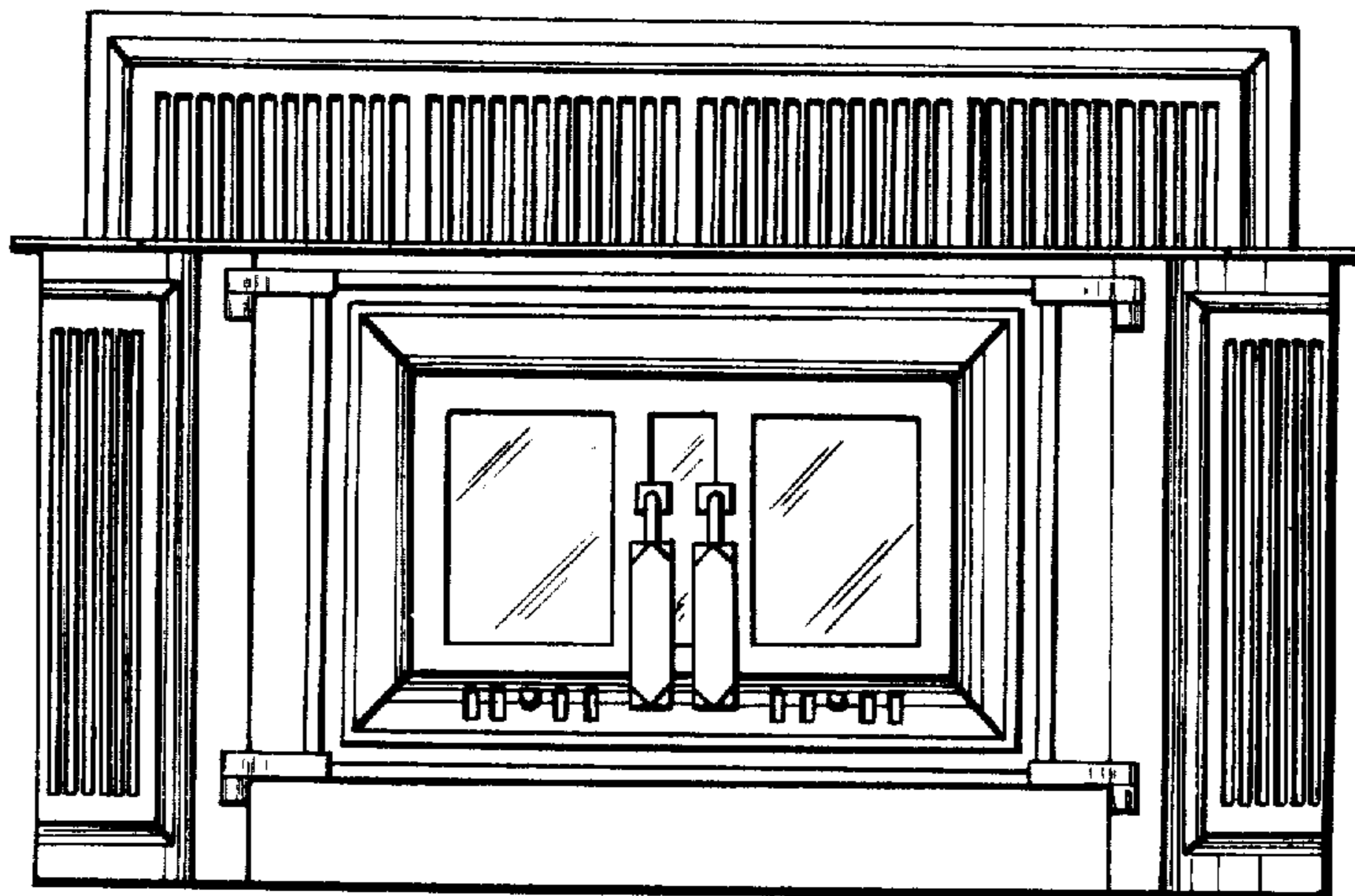


FIG. 4

