

[54] WATER CLOSET OR SIMILAR ARTICLE

[75] Inventor: Jack N. Kaiser, Danville, Ky.

[73] Assignee: American Standard Inc., New York, N.Y.

[**] Term: 14 Years

[21] Appl. No.: 170,402

[22] Filed: Jul. 21, 1980

[51] Int. Cl. D23-02

[52] U.S. Cl. D23/65

[58] Field of Search D23/48, 51, 65-67; 4/249, 250, 300, 317, 321, 323, 329, 330, 420

[56] References Cited

U.S. PATENT DOCUMENTS

- D. 101,535 10/1936 Kargtadt D23/65
- D. 185,618 6/1959 Teague et al. D23/65
- D. 188,750 9/1960 Swann D23/65
- D. 191,160 8/1961 Chapman D23/65

- D. 191,697 11/1961 Chapman D23/65
- D. 199,021 9/1964 Stairs, Jr. D23/65
- D. 199,235 9/1964 Tiller D23/65
- D. 217,551 5/1970 Manning D23/67
- D. 237,884 12/1975 Korol D23/65
- D. 250,202 11/1978 Doman et al. D23/65
- 4,162,548 7/1979 Goombridge 4/30

Primary Examiner—James R. Largen

Attorney, Agent, or Firm—James J. Salerno, Jr.; Robert G. Crooks; John P. Sinnott

[57] CLAIM

The ornamental design for a water closet or similar article, substantially as shown and described.

DESCRIPTION

FIG. 1 is a perspective view taken from the top, front and left side of a water closet or similar article embodying my new design;

FIG. 2 is a right side elevational view thereof;

FIG. 3 is a front elevational view thereof;

FIG. 4 is a rear elevational view thereof; and

FIG. 5 is a top plan view thereof.

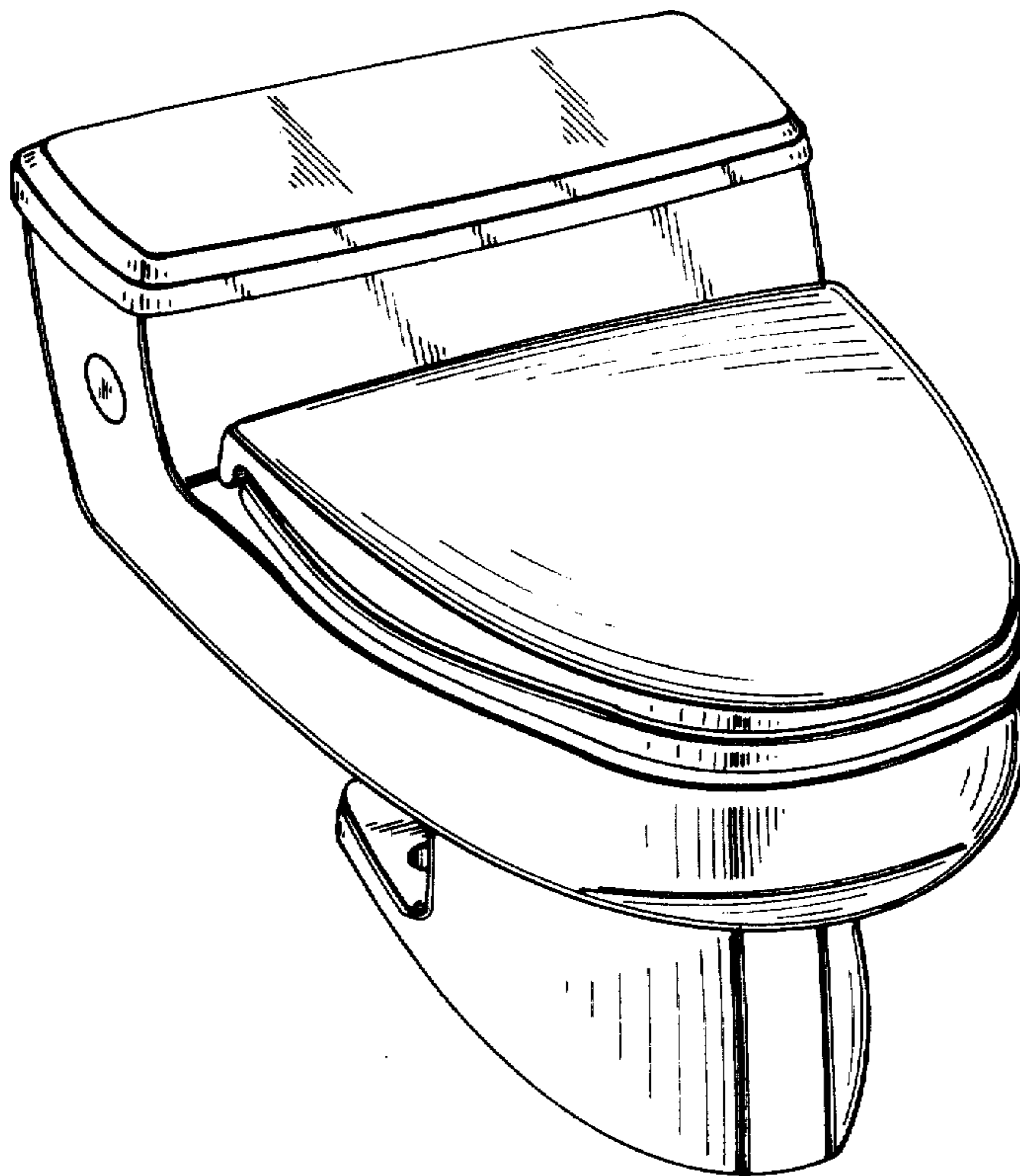
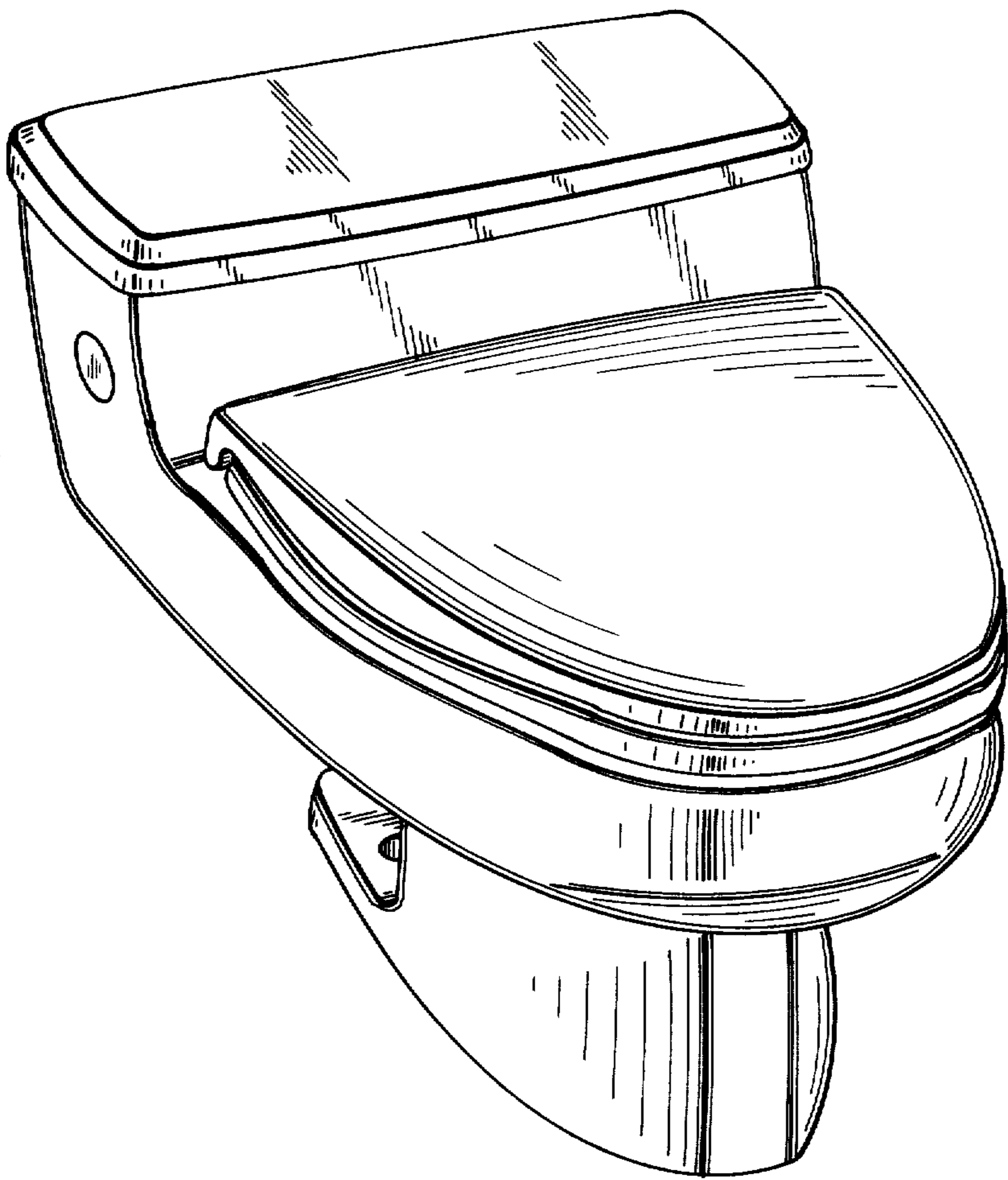


FIG. 1



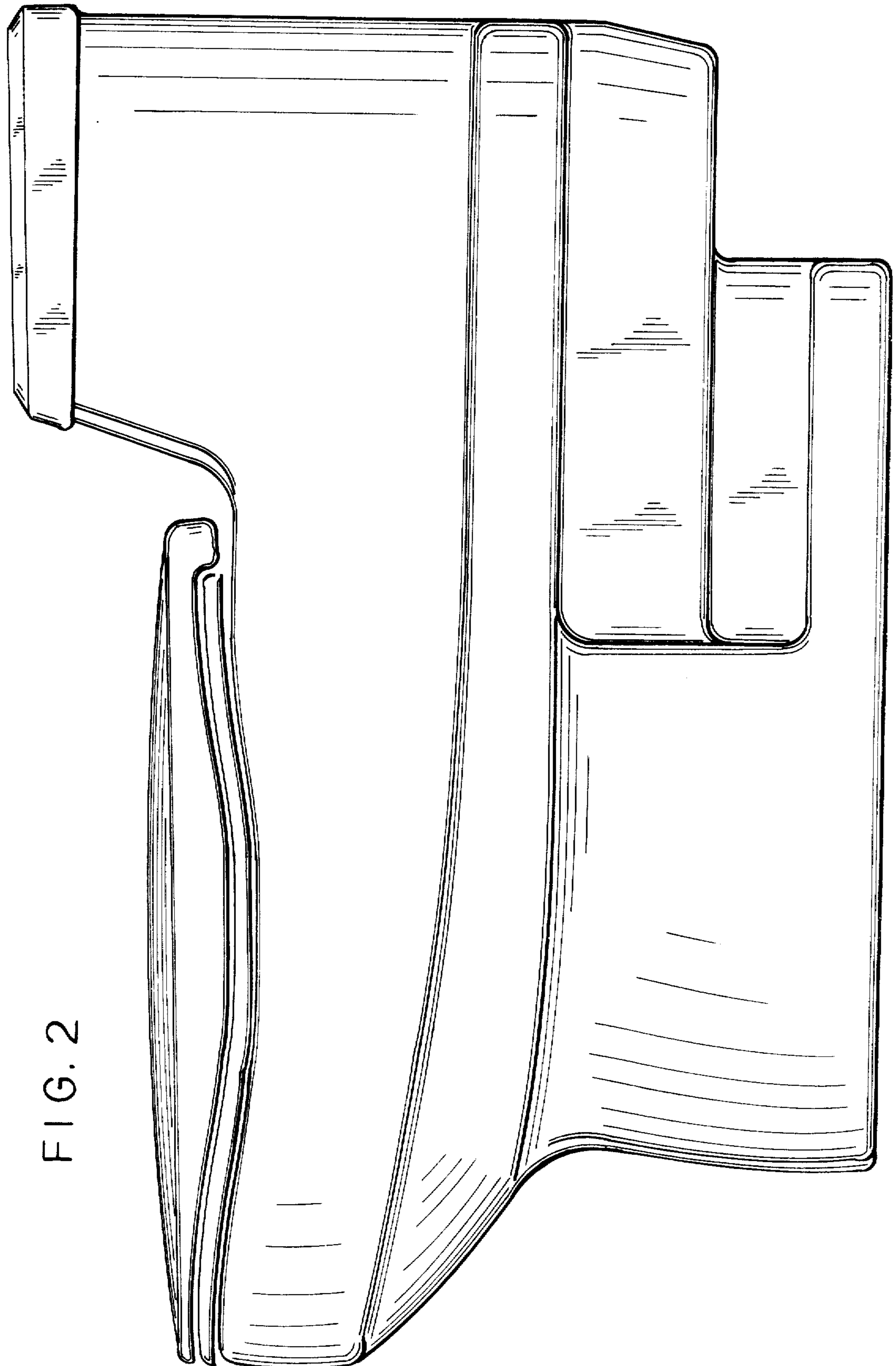


FIG. 2

FIG. 3

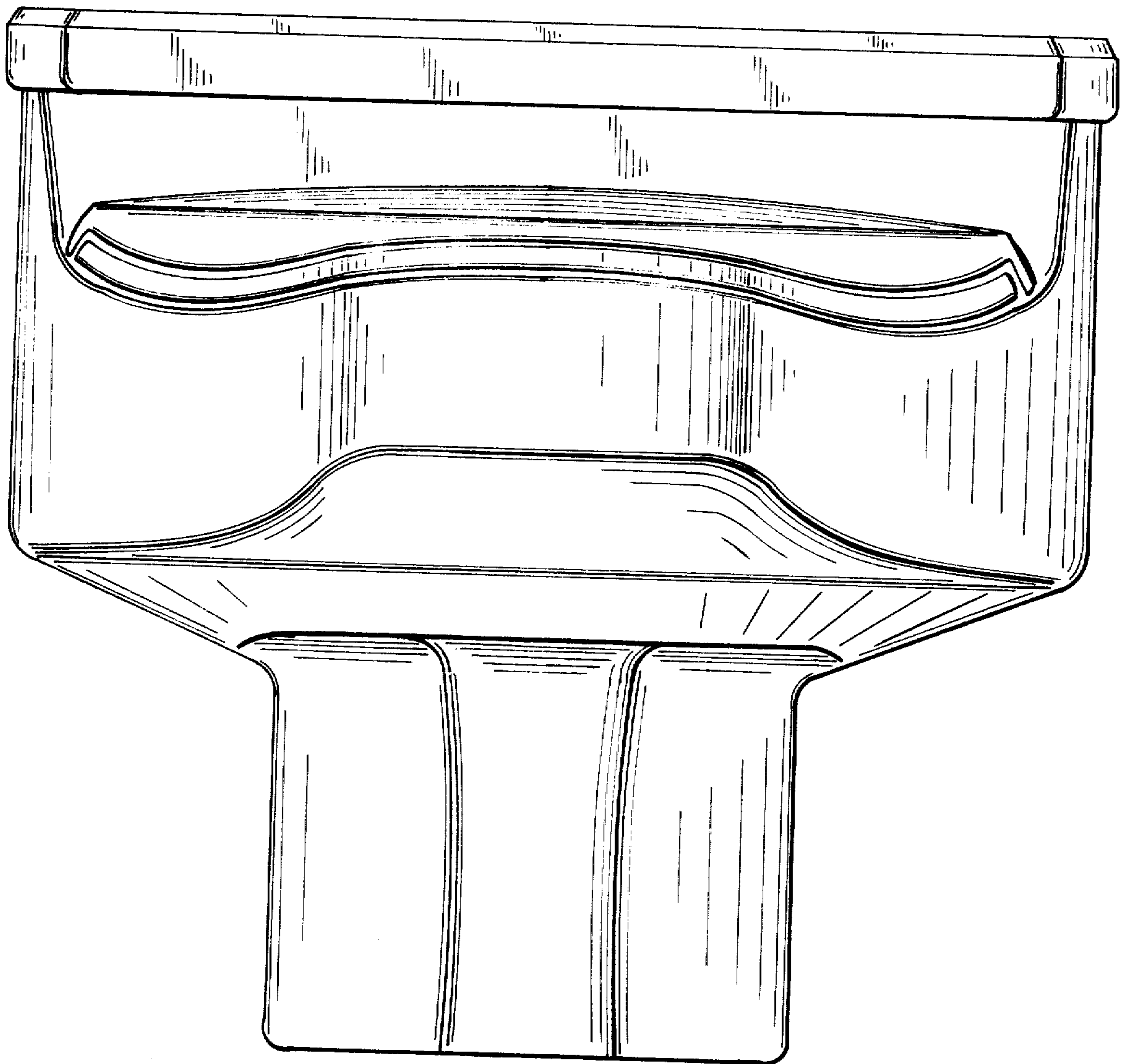


FIG. 4

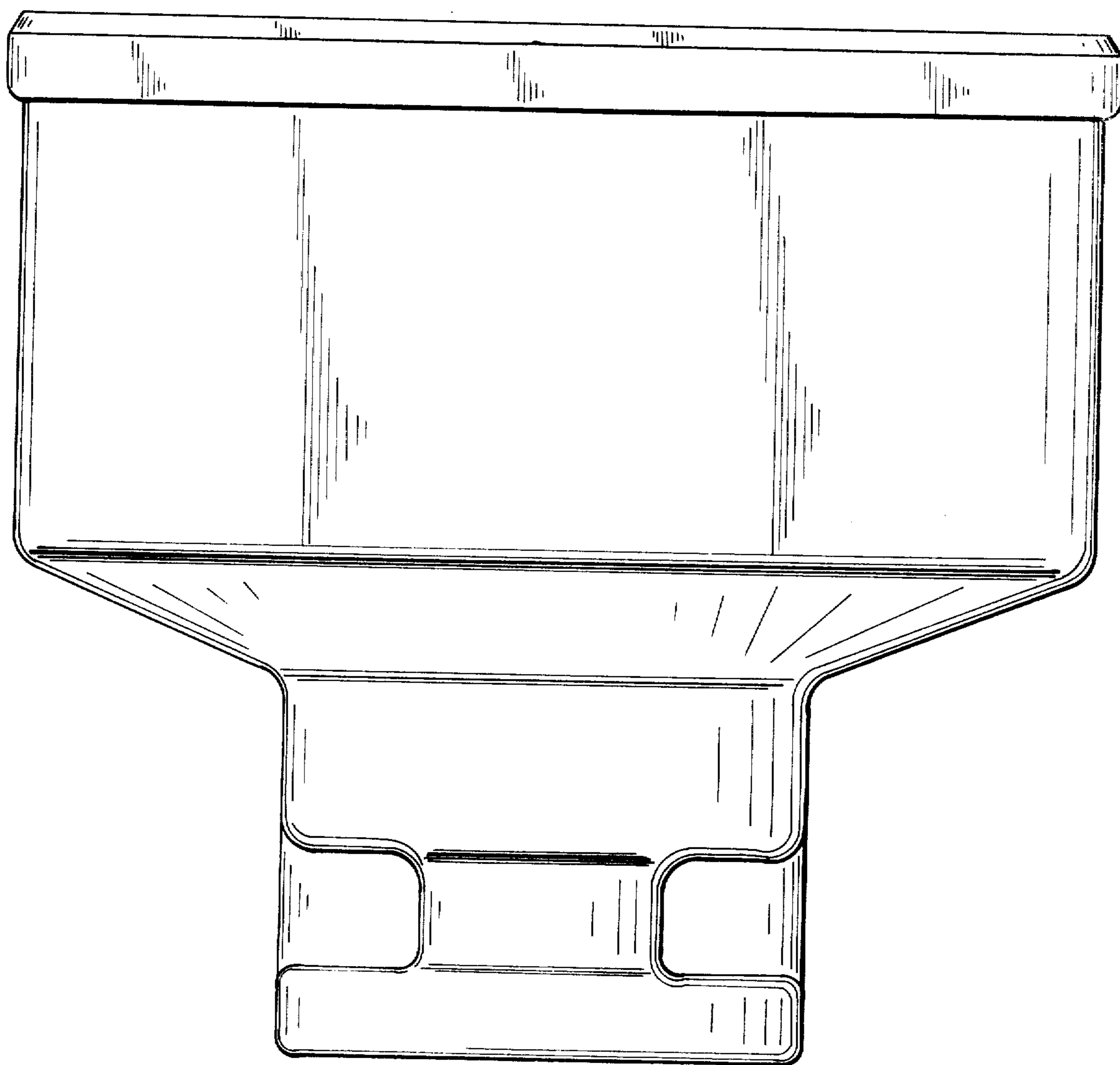


FIG. 5

