

[54] **STOOL FOR INVALIDS OR THE LIKE**
[76] Inventor: **Thomas P. Hurley**, 180 Hastings Parade, North Bondi, New South Wales 2026, Australia

2,607,926	8/1952	DePuy	4/254
3,047,884	8/1962	Grondona	4/254
3,512,187	5/1970	Thomas et al.	4/254
3,795,923	3/1974	Thomas	4/483
3,829,908	8/1974	Thomas	4/483
3,854,773	12/1974	Thomas	4/254 X

[**] Term: **14 Years**

[21] Appl. No.: **66,786**

[22] Filed: **Aug. 15, 1979**

[30] **Foreign Application Priority Data**

Apr. 30, 1979 [AU] Australia 77,711

[51] Int. Cl. **D23-02**

[52] U.S. Cl. **D23/48**

[58] Field of Search D23/48, 53, 69-71; D6/9, 10, 35, 38, 64, 78; 4/254, 483, 531, 532, 571, 572, 578, 579, 589, 590, 654, 659

[56] **References Cited**

U.S. PATENT DOCUMENTS

D. 131,137	1/1942	Baumann, Sr.	D6/35
D. 234,202	1/1975	Aldred	D23/71
D. 234,769	4/1975	Thomas	D23/48
D. 236,345	8/1975	Thomas	D23/48

Primary Examiner—James R. Lergen
Attorney, Agent, or Firm—Morgan, Finnegan, Pine, Foley & Lee

[57] **CLAIM**

The ornamental design for a stool for invalids or the like, as shown.

DESCRIPTION

FIG. 1 is a perspective view taken from the top, rear and right side of a stool for invalids or the like showing my new design, with the seat in a raised position; FIG. 2 is an enlarged rear perspective view of the removable rack; FIG. 3 is a top plan view thereof showing the seat in its down position; FIG. 4 is a bottom plan view of FIG. 3; FIG. 5 is a front elevational view of FIG. 3; FIG. 6 is a rear elevational view of FIG. 3; and FIG. 7 is a left side elevational view of FIG. 3.

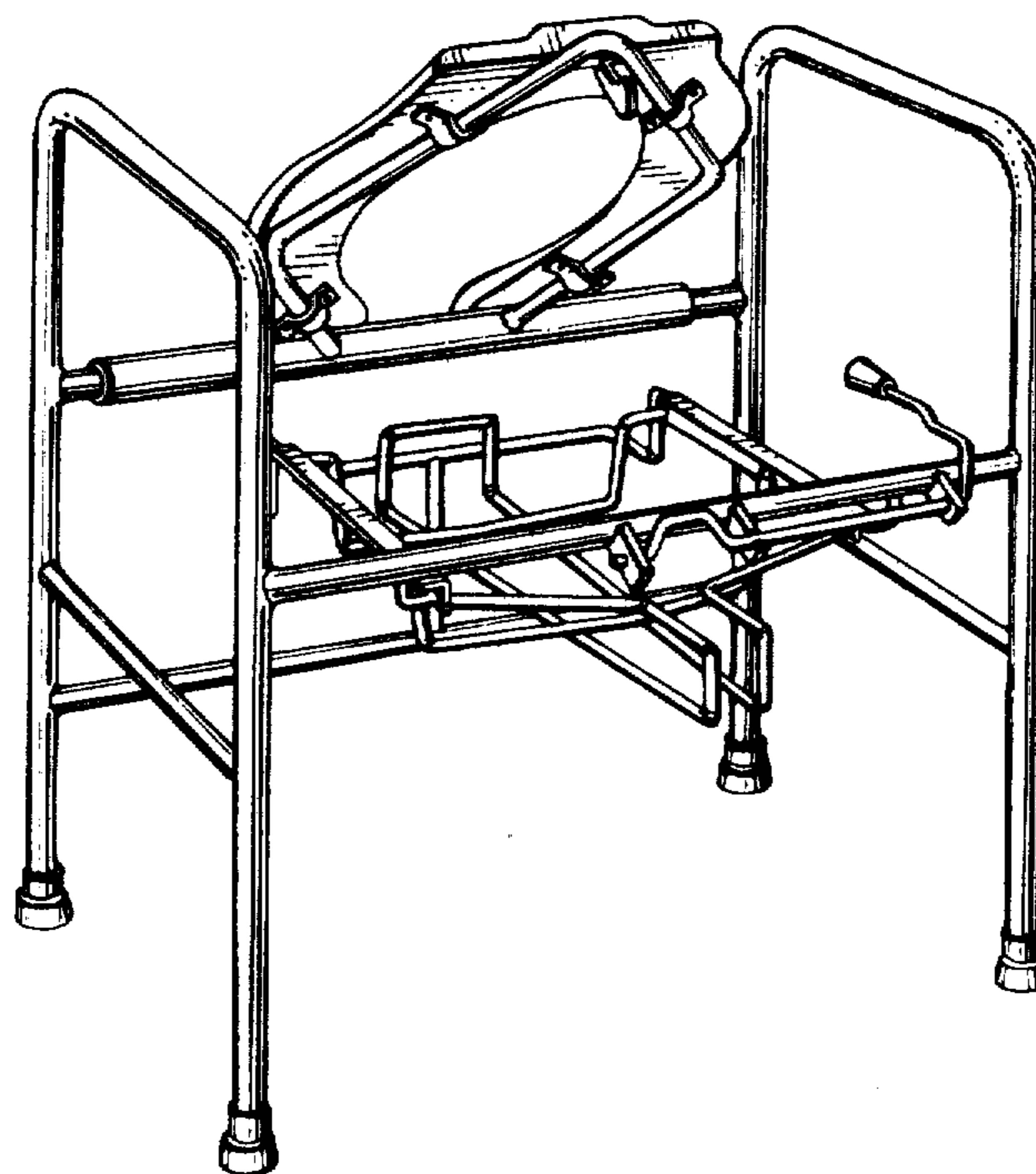


fig. 2

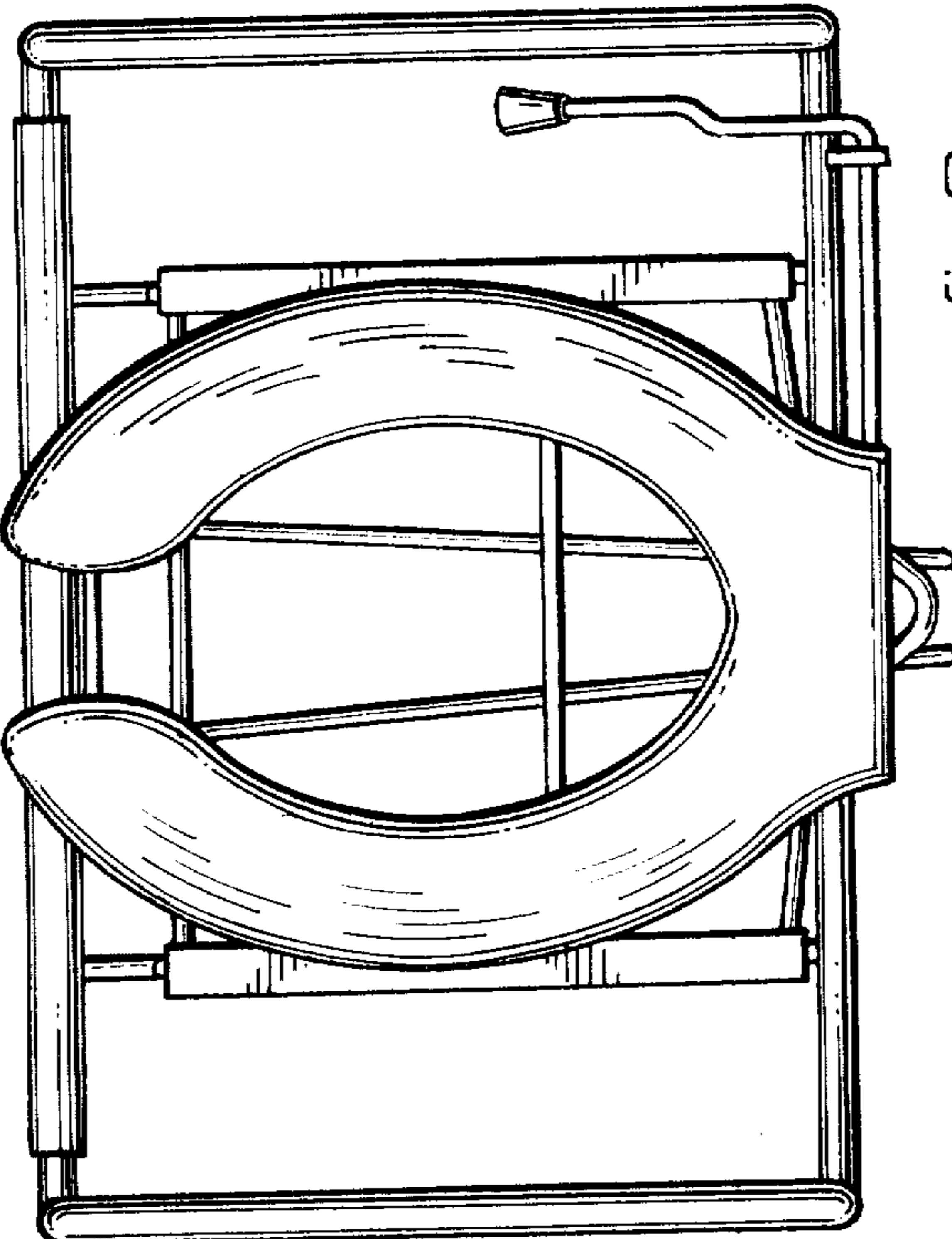
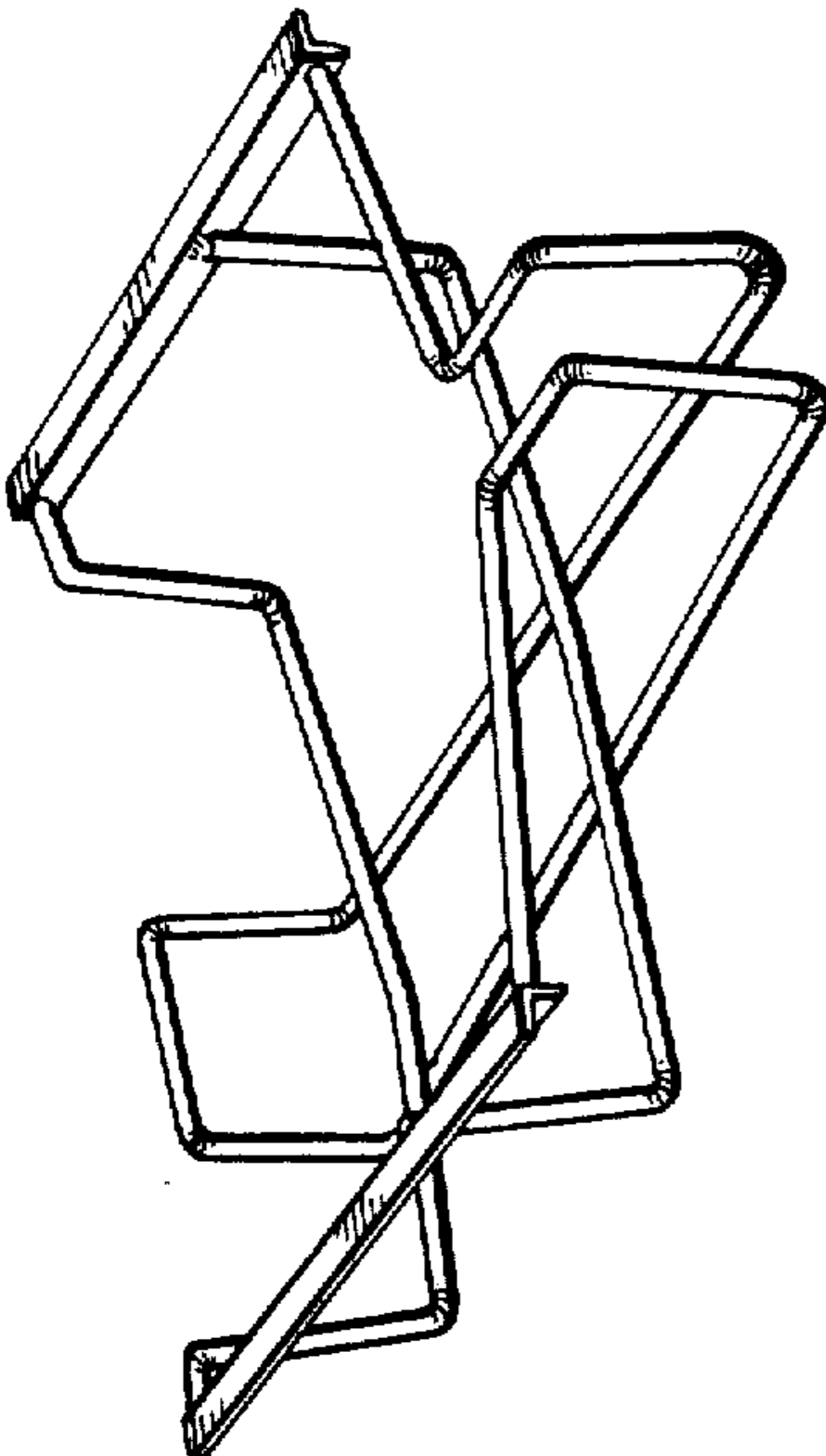


fig. 3

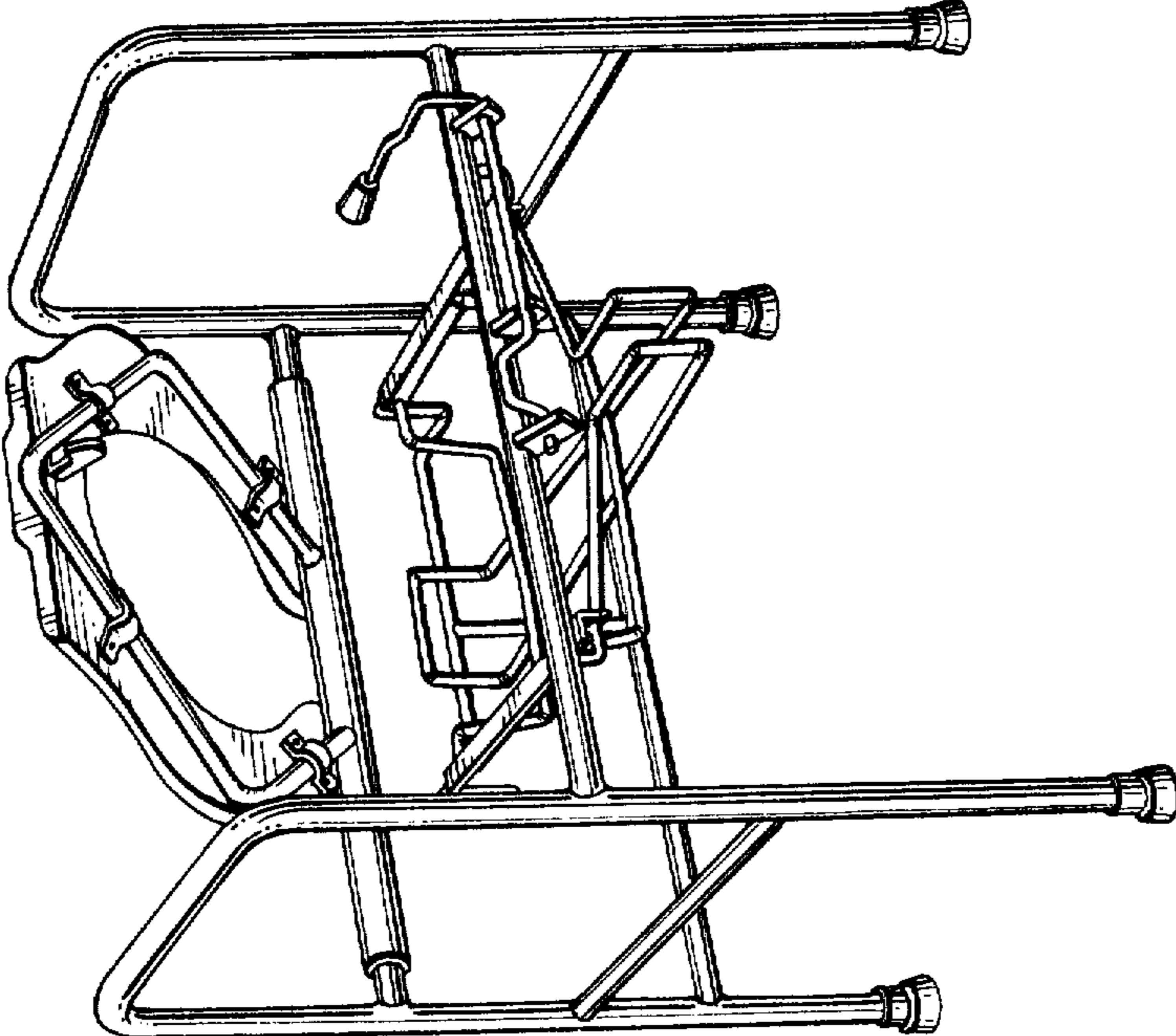


fig. 1

fig.4

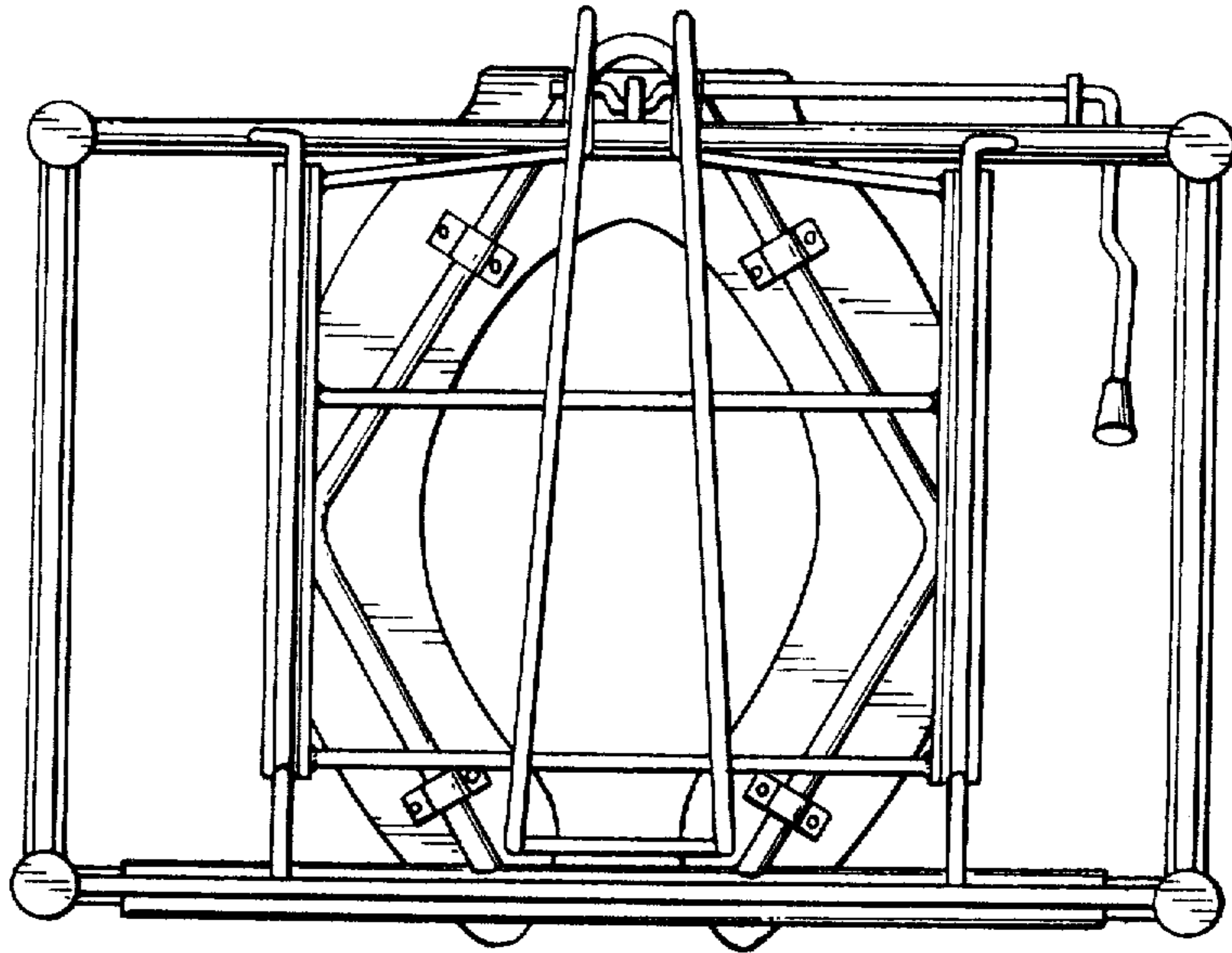


fig.5

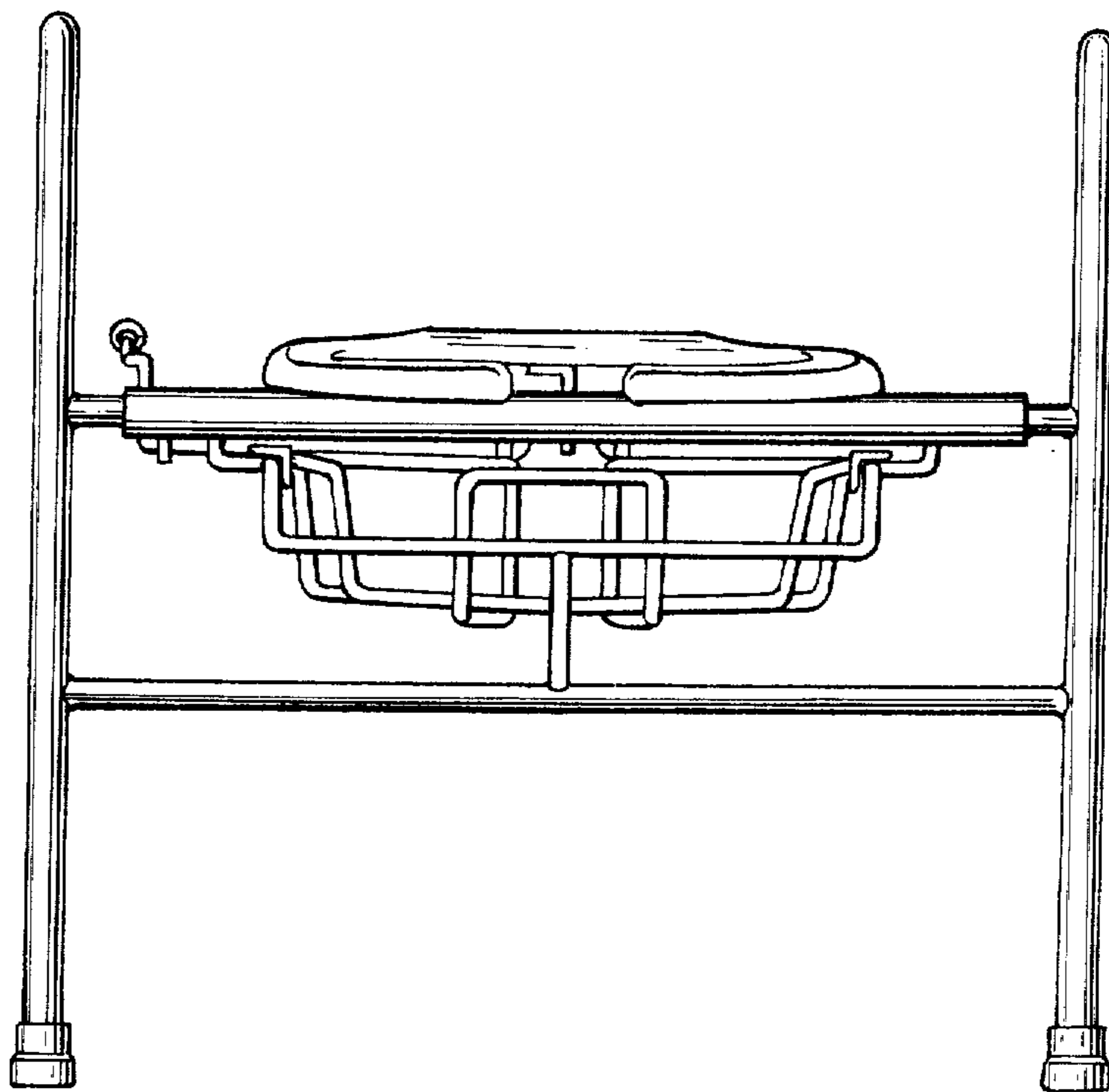


fig.6

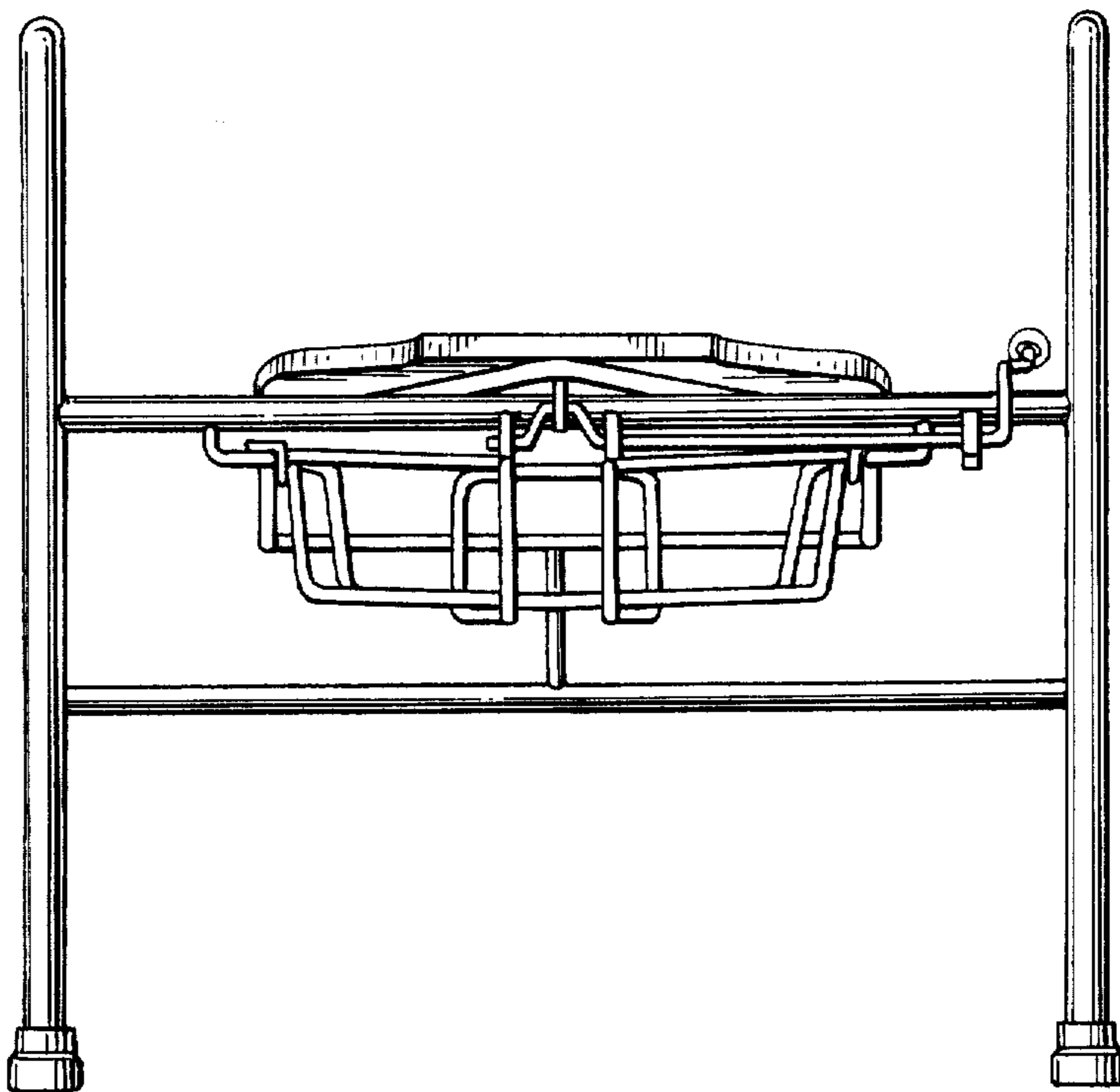


fig.7

