

[54] FIRE EXTINGUISHANT DISCHARGE NOZZLE

[75] Inventor: Alan J. Freeman, Worcester, Mass.

[73] Assignee: Walter Kidde & Company, Inc., Clifton, N.J.

[**] Term: 14 Years

[21] Appl. No.: 103,531

[22] Filed: Dec. 14, 1979

[51] Int. Cl. D23-01

[52] U.S. Cl. D23/35; D29/5

[58] Field of Search D29/2, 5; D23/6, 34-39; 169/16, 37, 68; 239/556, 558, 559, 567

[56] References Cited

U.S. PATENT DOCUMENTS

- D. 93,865 11/1934 Czarnecki, Jr. D23/35
- D. 134,562 12/1942 Murphy D23/35

- D. 172,454 6/1954 Wagner D29/5
- D. 198,356 6/1964 Wahlin D23/35
- D. 218,824 9/1970 Lawrence D23/34
- D. 242,828 12/1976 Lakay D23/34 X
- 2,647,800 8/1953 Burnam et al. 239/556 X
- 2,726,897 12/1955 Dupont 239/559 X
- 3,713,492 1/1973 Forrest 169/16 X
- 3,904,126 9/1975 Allard 169/37 X
- 4,213,567 7/1980 McIntire 169/37 X

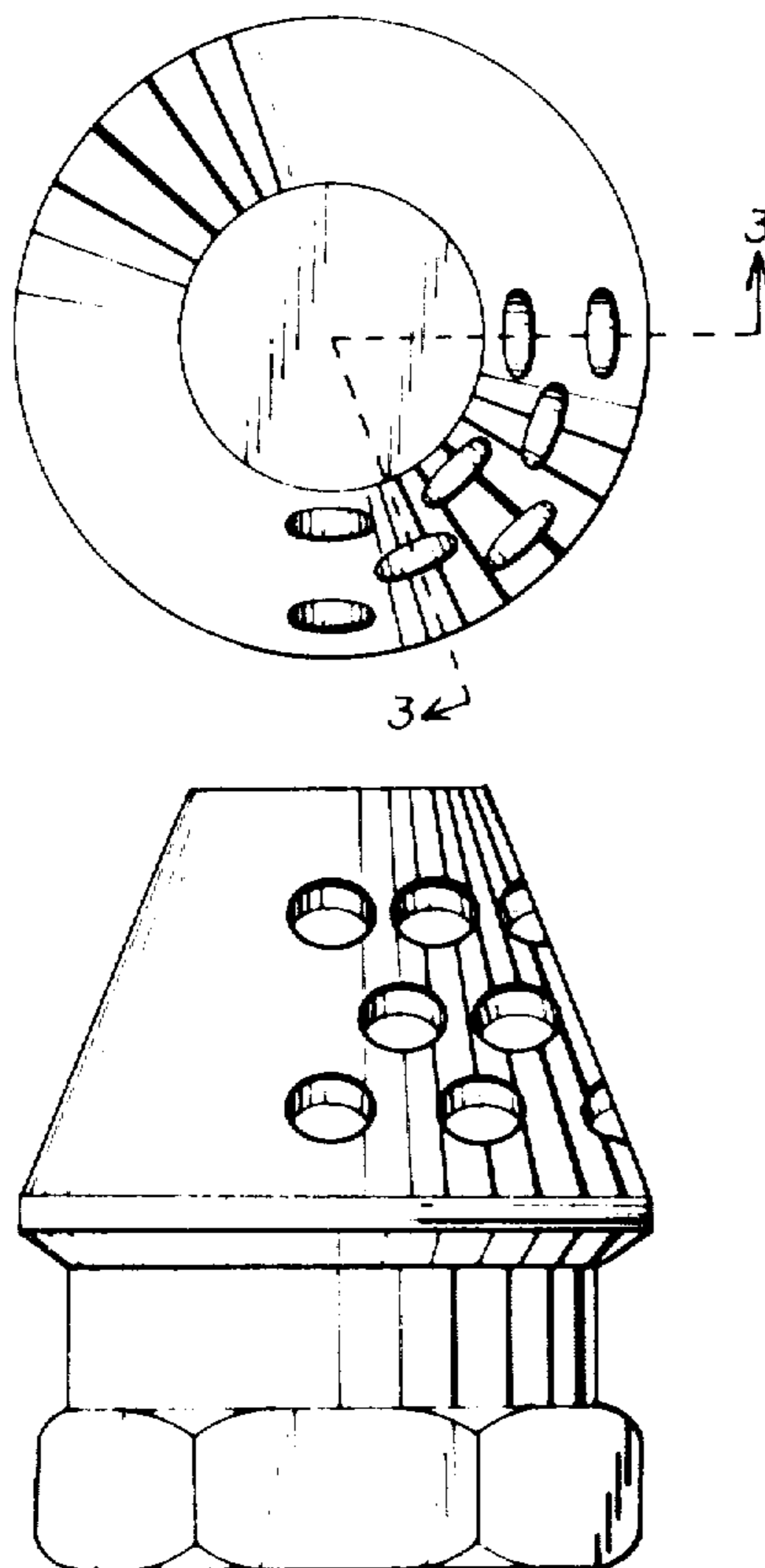
Primary Examiner—James R. Largen
 Attorney, Agent, or Firm—John E. Toupal

[57] CLAIM

The ornamental design for a fire extinguishant discharge nozzle, substantially as shown and disclosed.

DESCRIPTION

FIG. 1 is a top plan view of a fire extinguishant discharge nozzle showing my new design; FIG. 2 is a side elevational view thereof; and FIG. 3 is a cross sectional view taken on line 3—3 of FIG. 1.



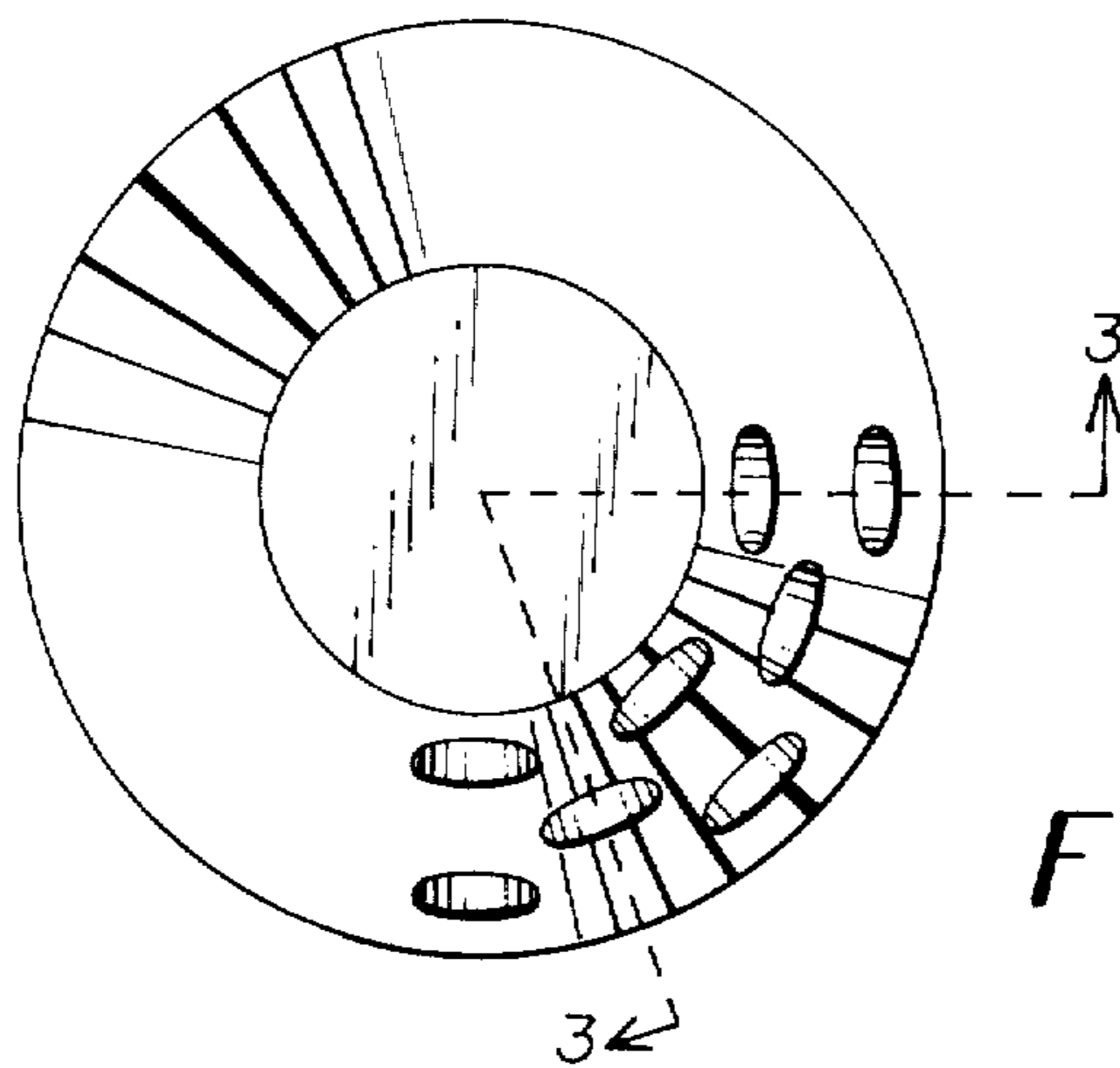


FIG. 1

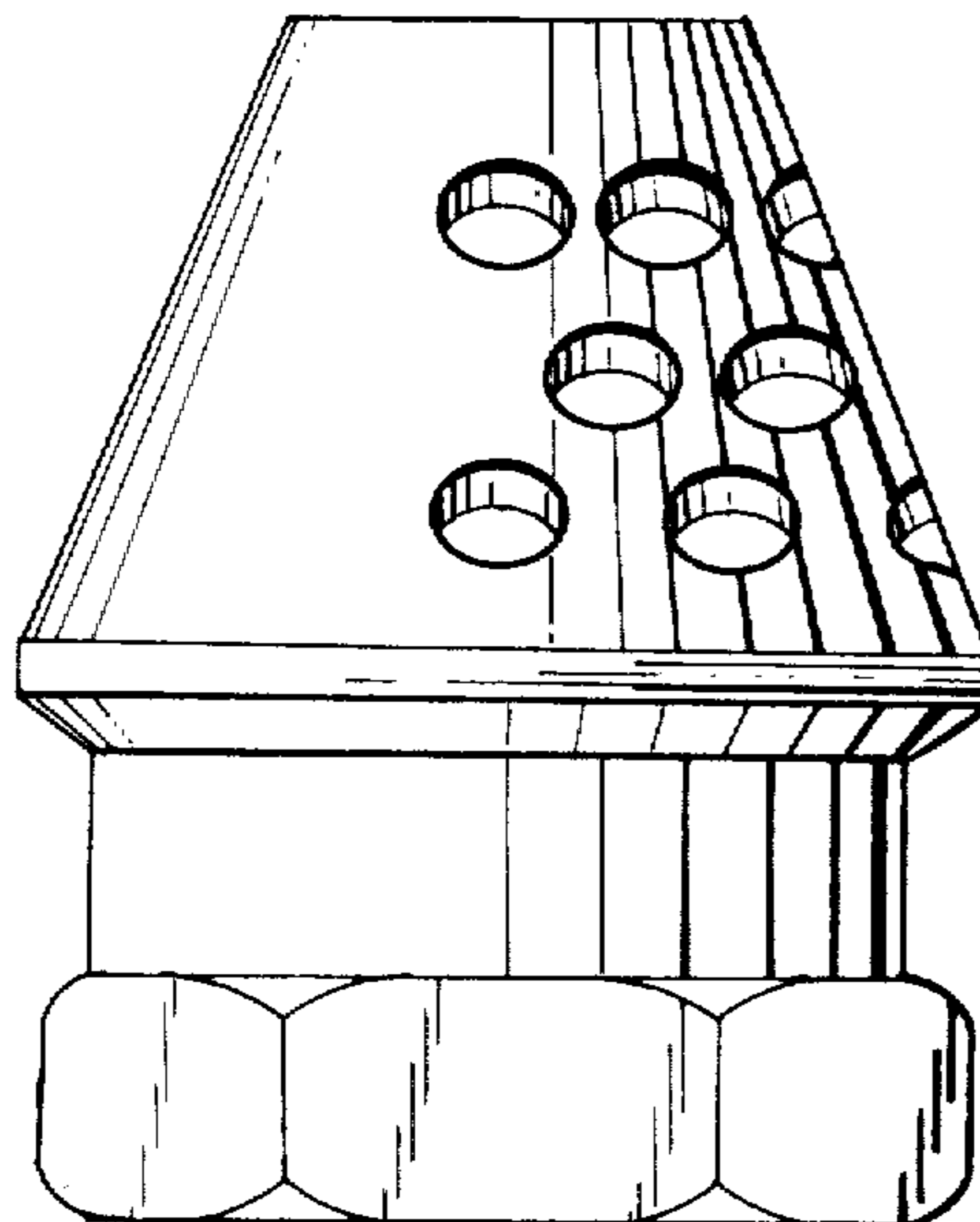


FIG. 2

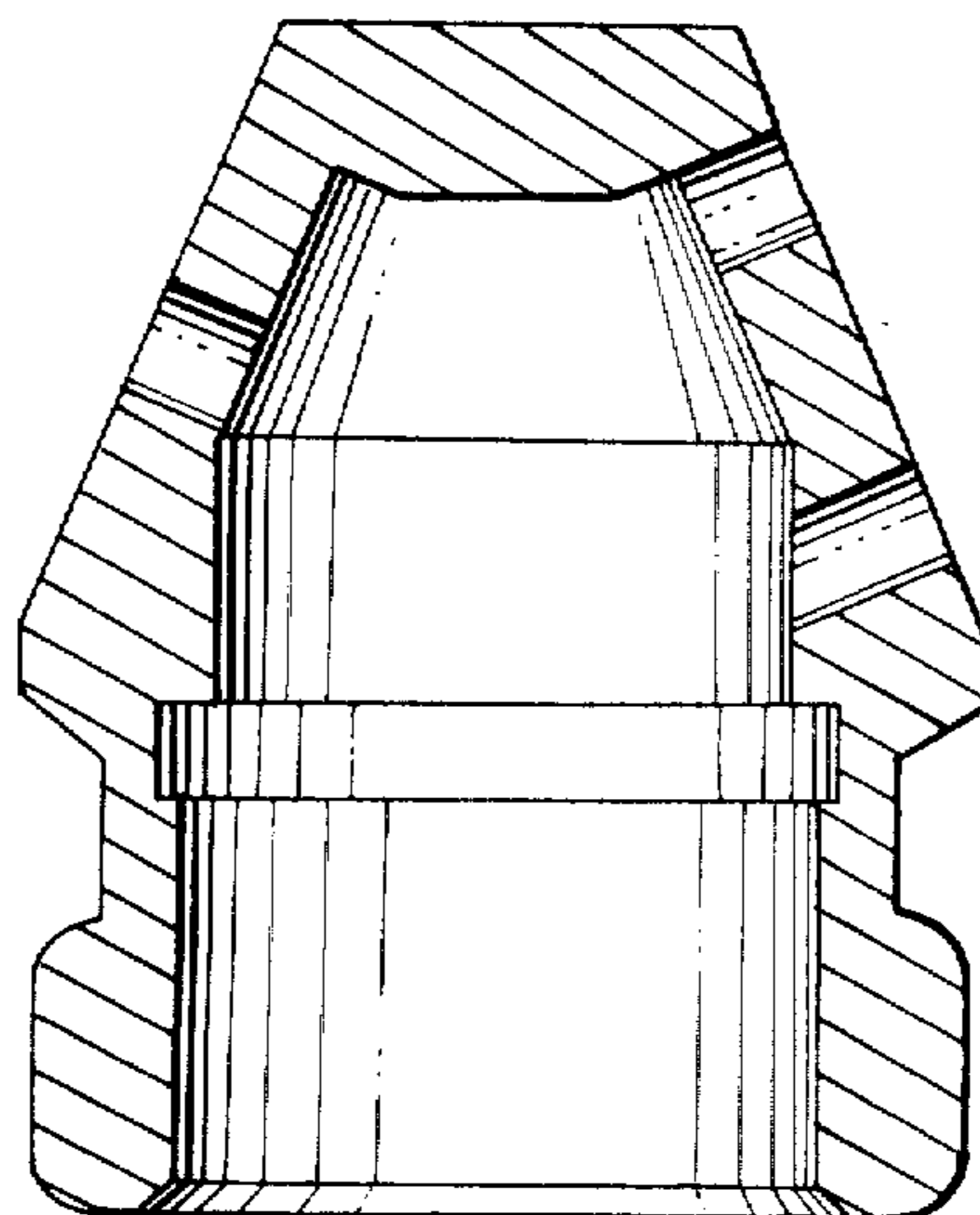


FIG. 3