

[54] **FOAM GENERATOR FOR A CAR WASH OR THE LIKE**

[76] Inventor: **Donald A. Hull**, 6660 Woodman, Dept. 105, Van Nuys, Calif. 91405

[**] Term: **14 Years**

[21] Appl. No.: **134,304**

[22] Filed: **Mar. 26, 1980**

[51] Int. Cl. **D23-01**

[52] U.S. Cl. **D23/34; D32/4**

[58] Field of Search **D23/17, 18, 34, 35; D32/4; 239/343, 370, 428.5, 525, 532; 261/DIG. 26; 252/359 E**

[56] **References Cited**

U.S. PATENT DOCUMENTS

- D. 141,623 6/1945 Thompson D23/35
- D. 179,807 3/1957 Malsbary D23/17
- D. 208,240 8/1967 Titus D23/35

- D. 228,763 10/1973 Bell et al. D23/17
- D. 243,532 3/1977 Fyffo D23/17
- D. 258,380 2/1981 Briar D23/18
- 3,430,865 3/1969 McDougall 261/DIG. 26 X
- 4,038,037 7/1977 Wilmsen 252/359 E X
- 4,133,773 1/1979 Simmons 252/359 E

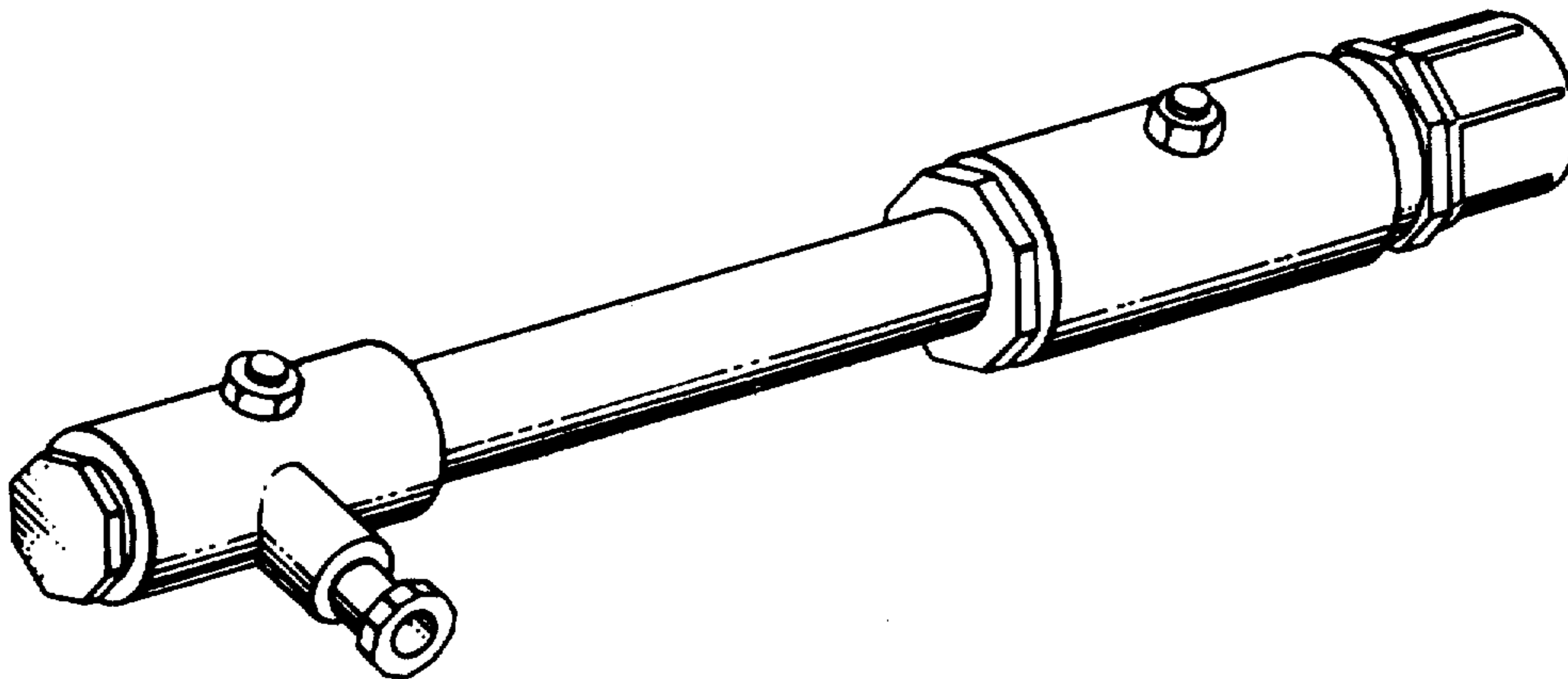
Primary Examiner—James R. Largen
Attorney, Agent, or Firm—Don B. Finkelstein

[57] **CLAIM**

The ornamental design for a foam generator for a car wash or the like, as shown.

DESCRIPTION

FIG. 1 is a perspective view of a foam generator for a car wash or the like showing my new design; FIG. 2 is a front elevational view thereof; FIG. 3 is a rear elevational view thereof; FIG. 4 is a left side elevational view thereof; FIG. 5 is a right side elevational view thereof; FIG. 6 is a top plan view thereof; and FIG. 7 is a bottom plan view thereof.



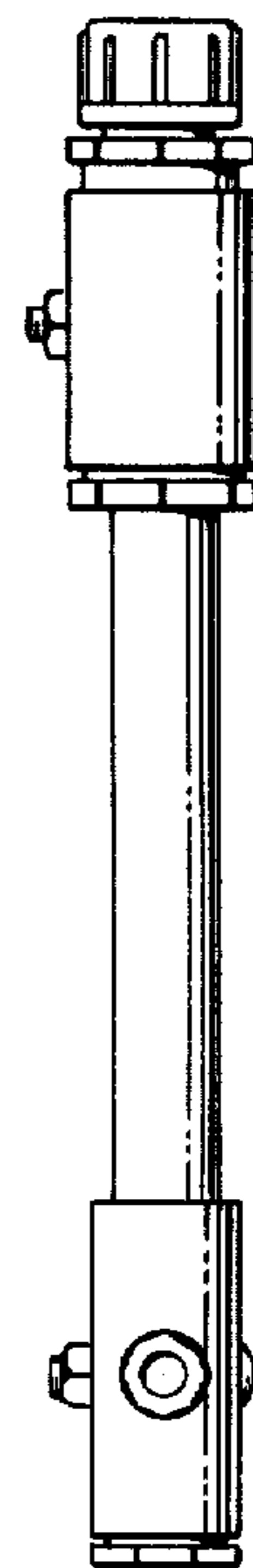
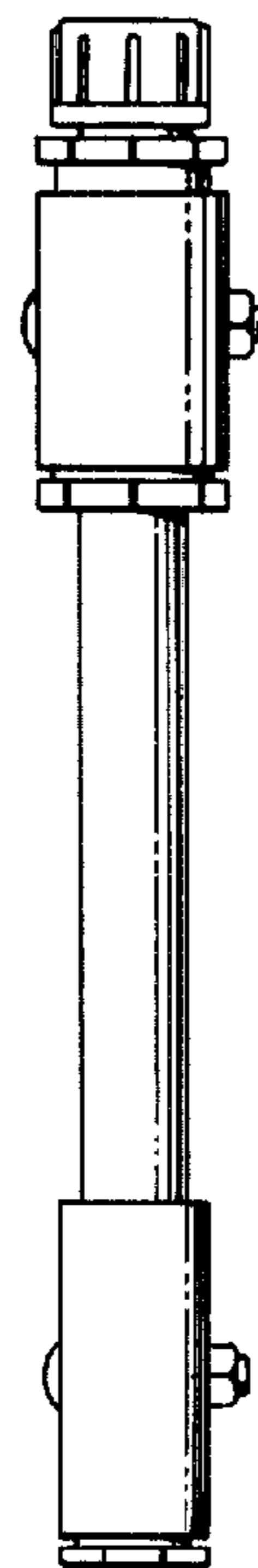
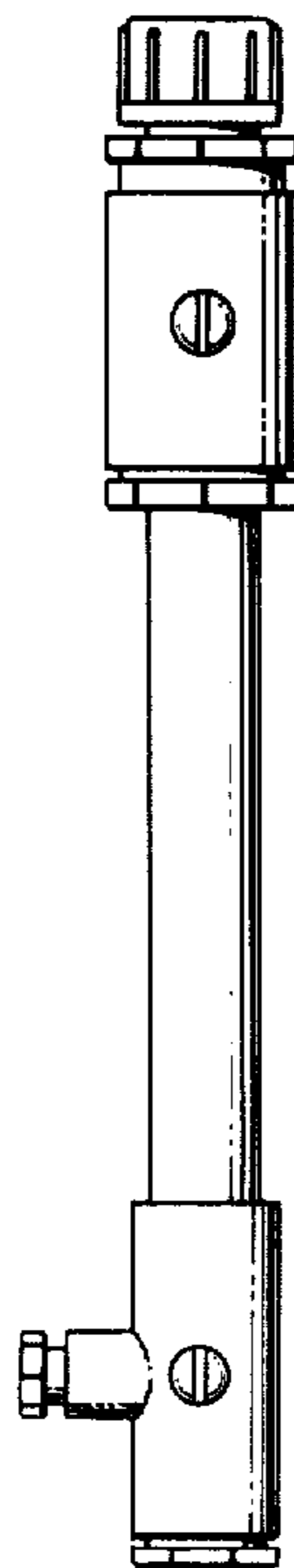
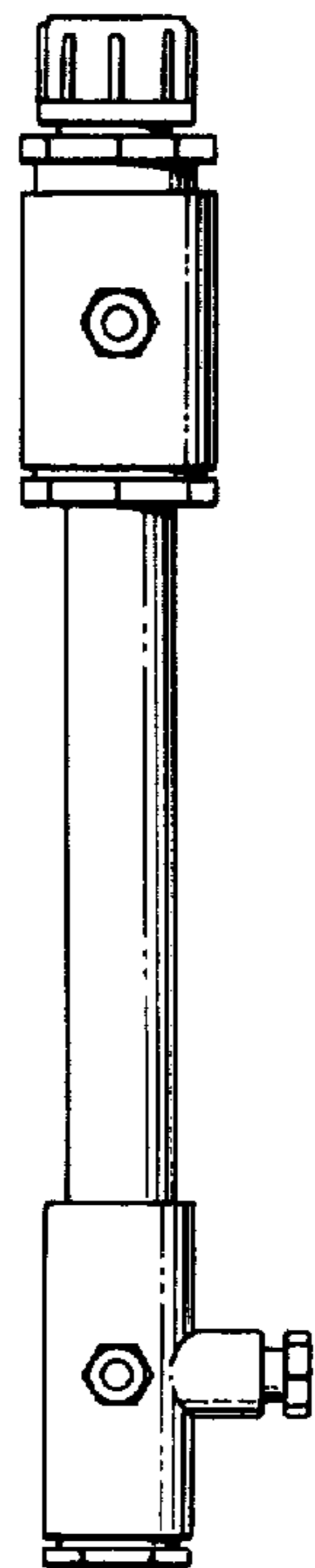
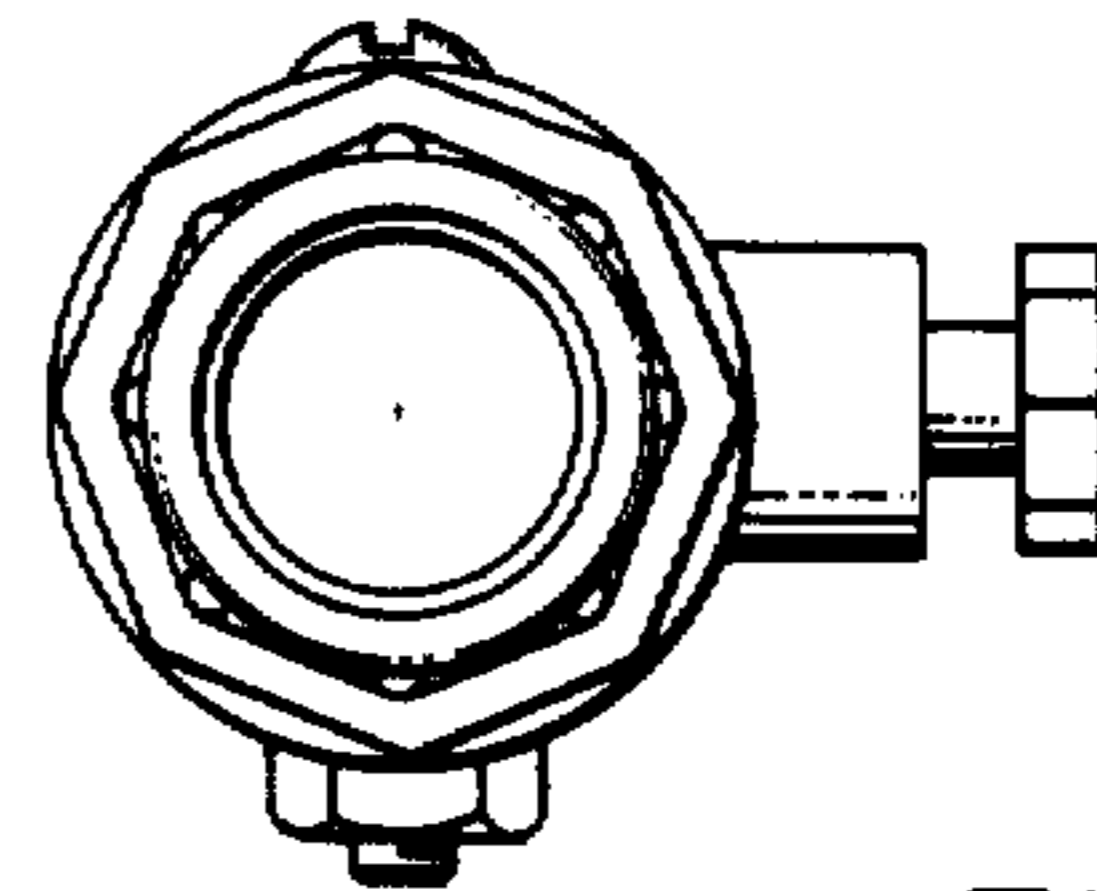
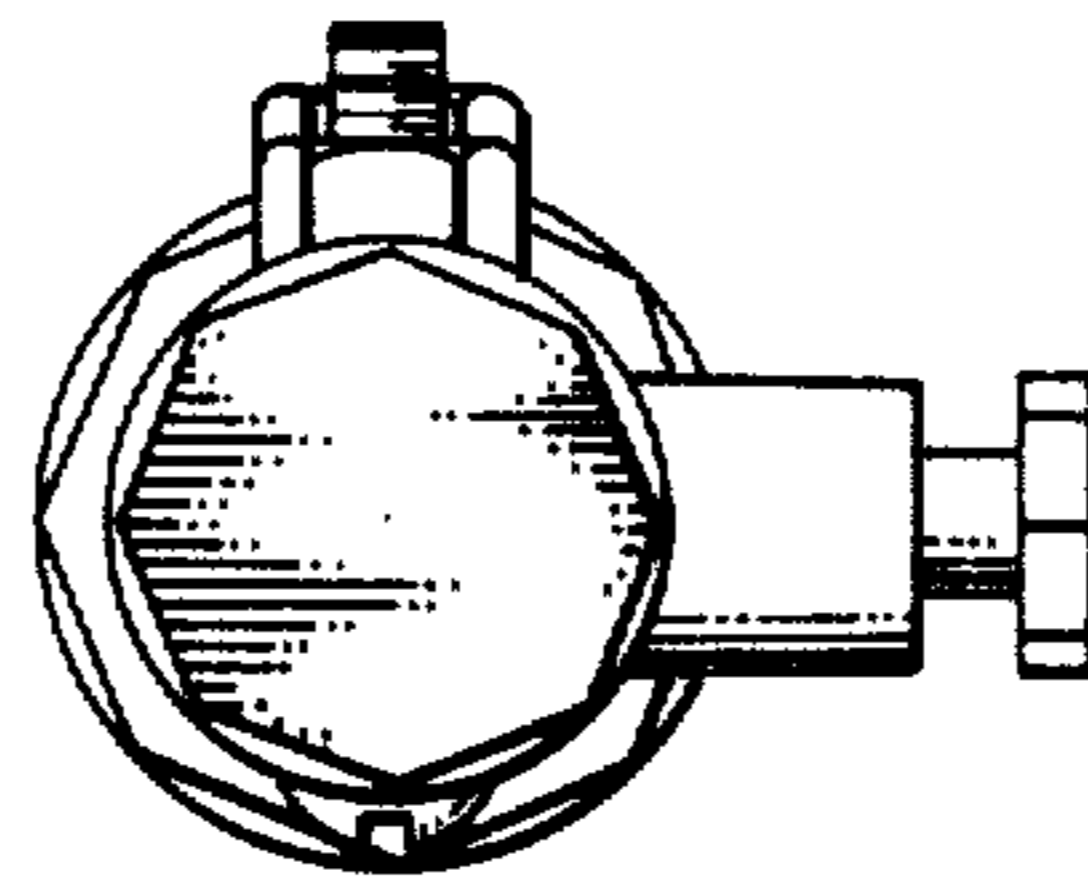
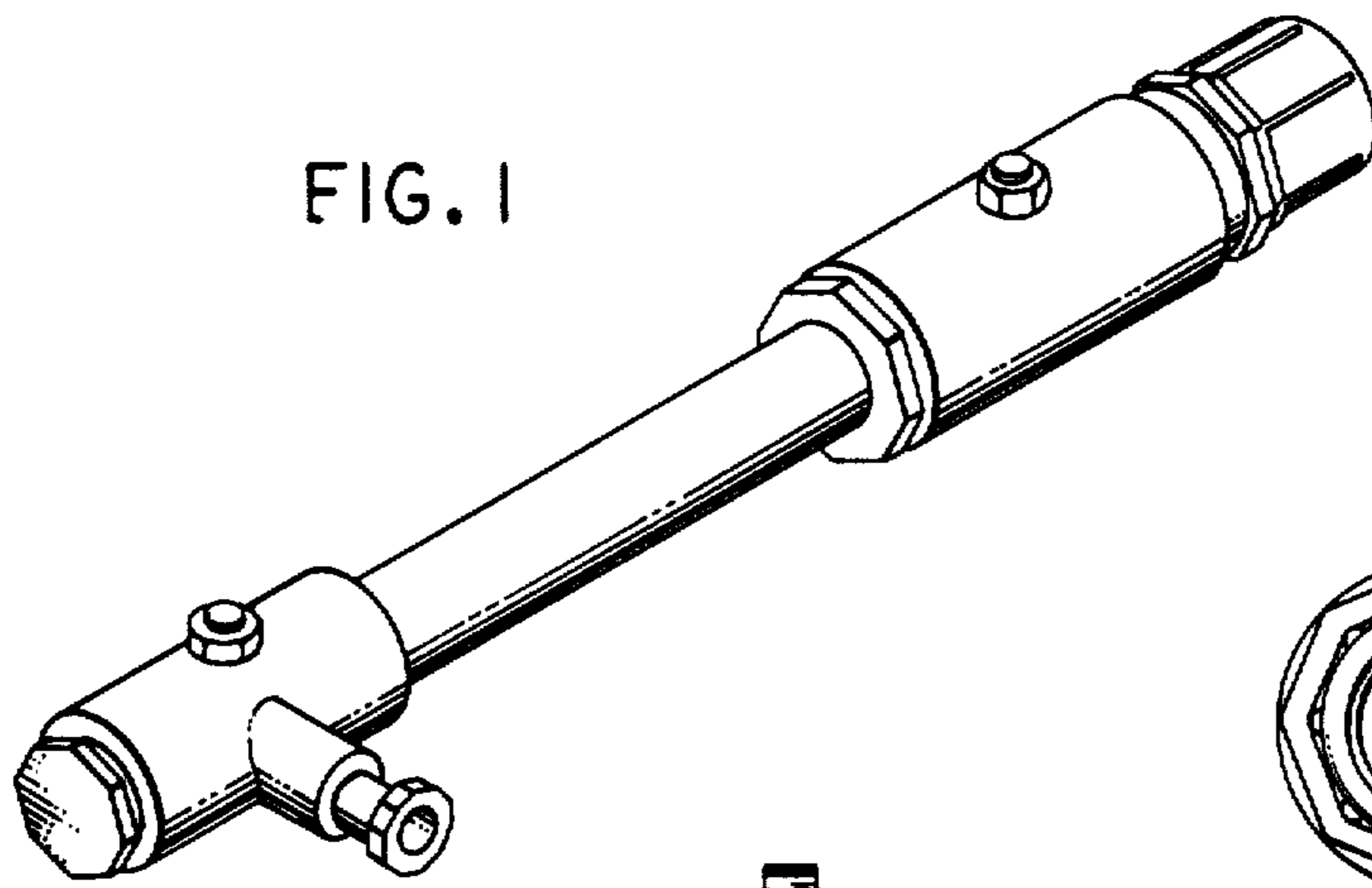


FIG. 2

FIG. 3

FIG. 4

FIG. 5