

[54] TOY AUTOMOBILE

[75] Inventor: James F. Mariol, Cincinnati, Ohio

[73] Assignee: Design Alliance, Inc., Cincinnati, Ohio

[\*\*] Term: 14 Years

[21] Appl. No.: 118,201

[22] Filed: Feb. 4, 1980

[51] Int. Cl. .... D21-01

[52] U.S. Cl. .... D21/78

[58] Field of Search ..... D21/76, 78, 79, 128, D21/134, 135, 136, 137; D12/32; 46/222, 223, 221; 280/87.01, 87.02 R

[56] References Cited

U.S. PATENT DOCUMENTS

D. 211,481 6/1968 Seitzenger et al. .... D21/137

OTHER PUBLICATIONS

Auto News, 12/62, p. 38, Truck.

Sears, 1976 Xmas Cats. p. 542, Toy Fire Truck.

Primary Examiner—Charles A. Rademaker

Attorney, Agent, or Firm—Wood, Herron & Evans

[57] CLAIM

The ornamental design for a toy automobile, as shown and described.

DESCRIPTION

FIG. 1 is a perspective view of a toy automobile showing my new design;

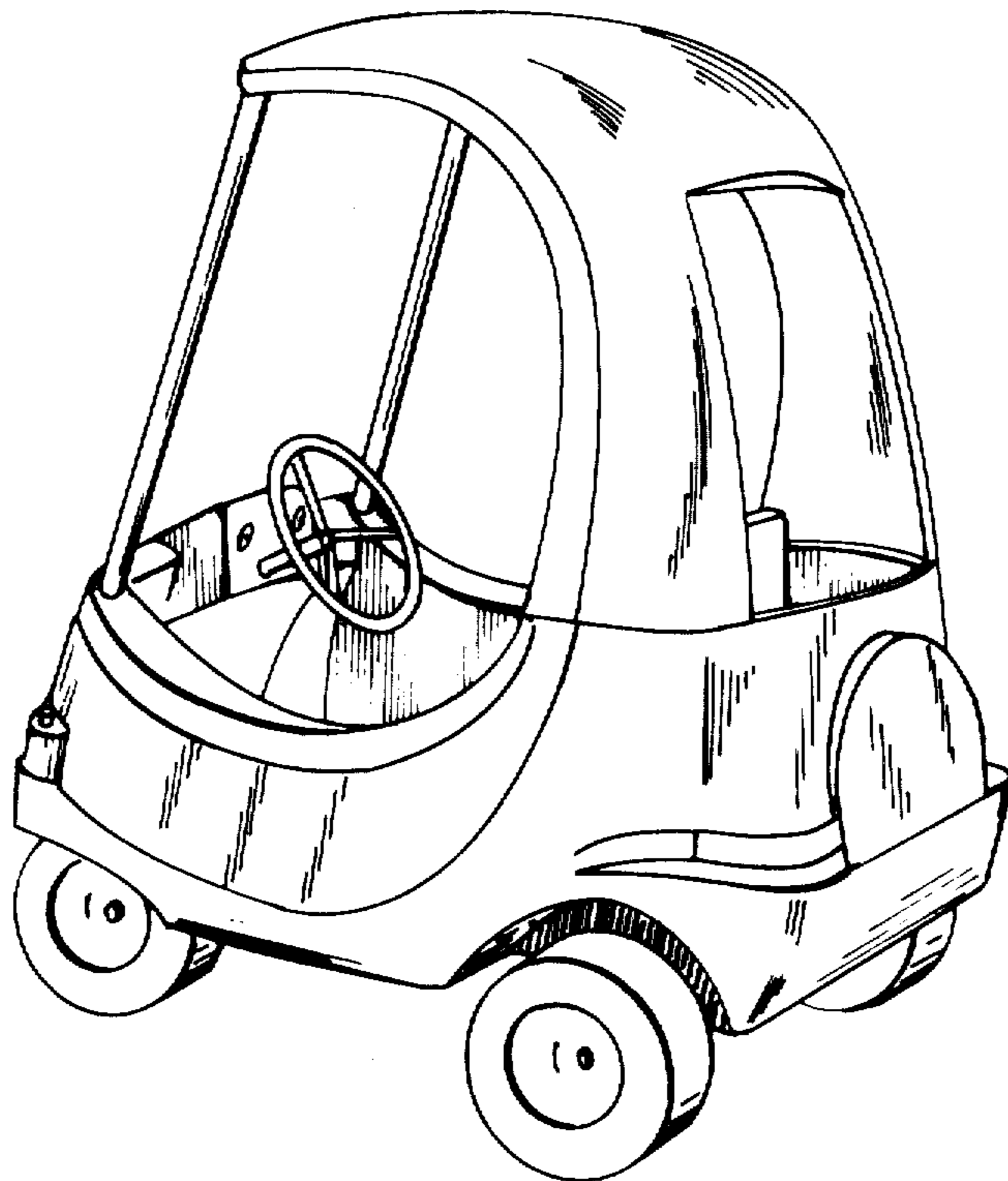
FIG. 2 is a side elevational view thereof, the side opposite being substantially a mirror image;

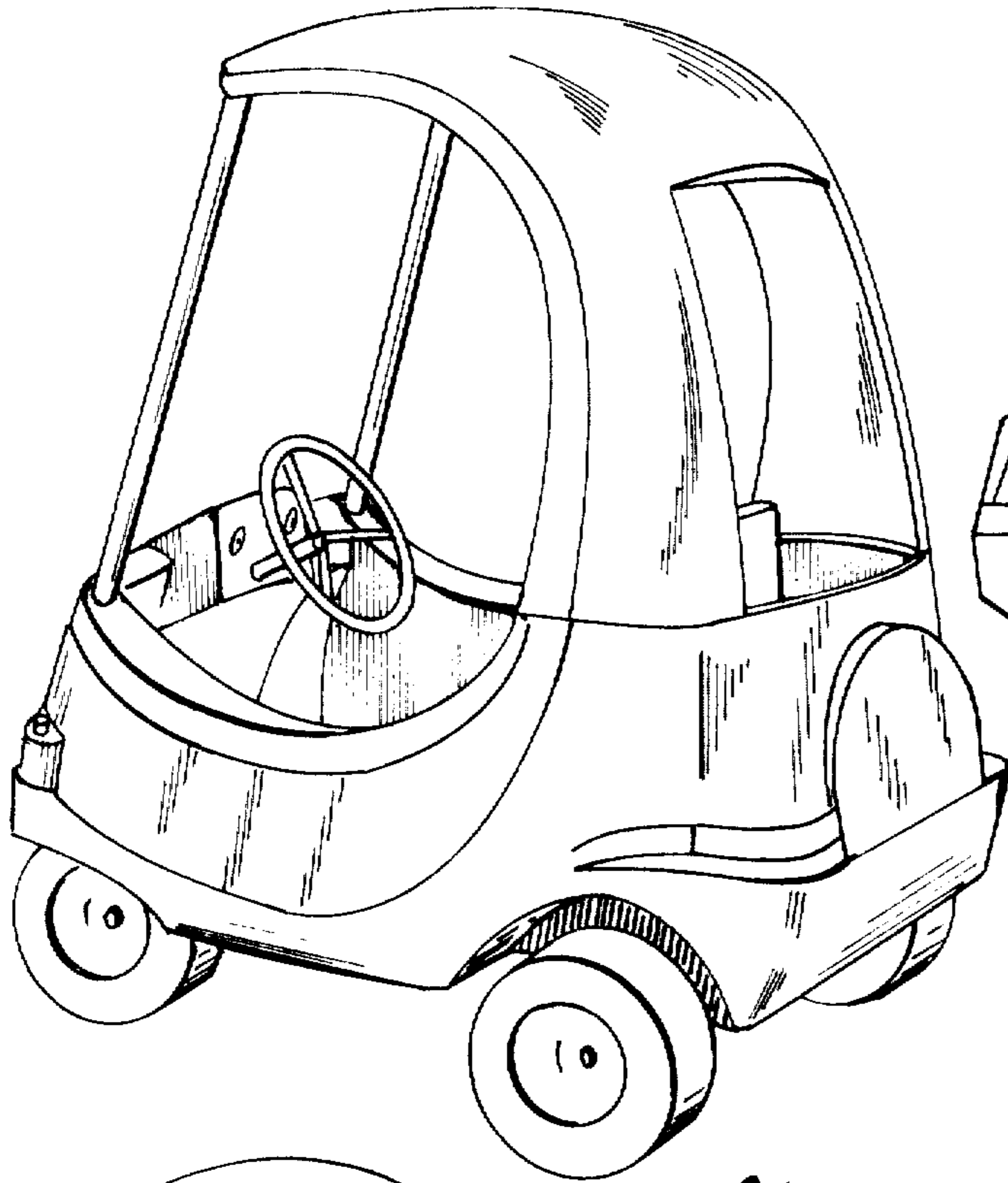
FIG. 3 is a front elevational view thereof.

FIG. 4 is a rear elevational view thereof.

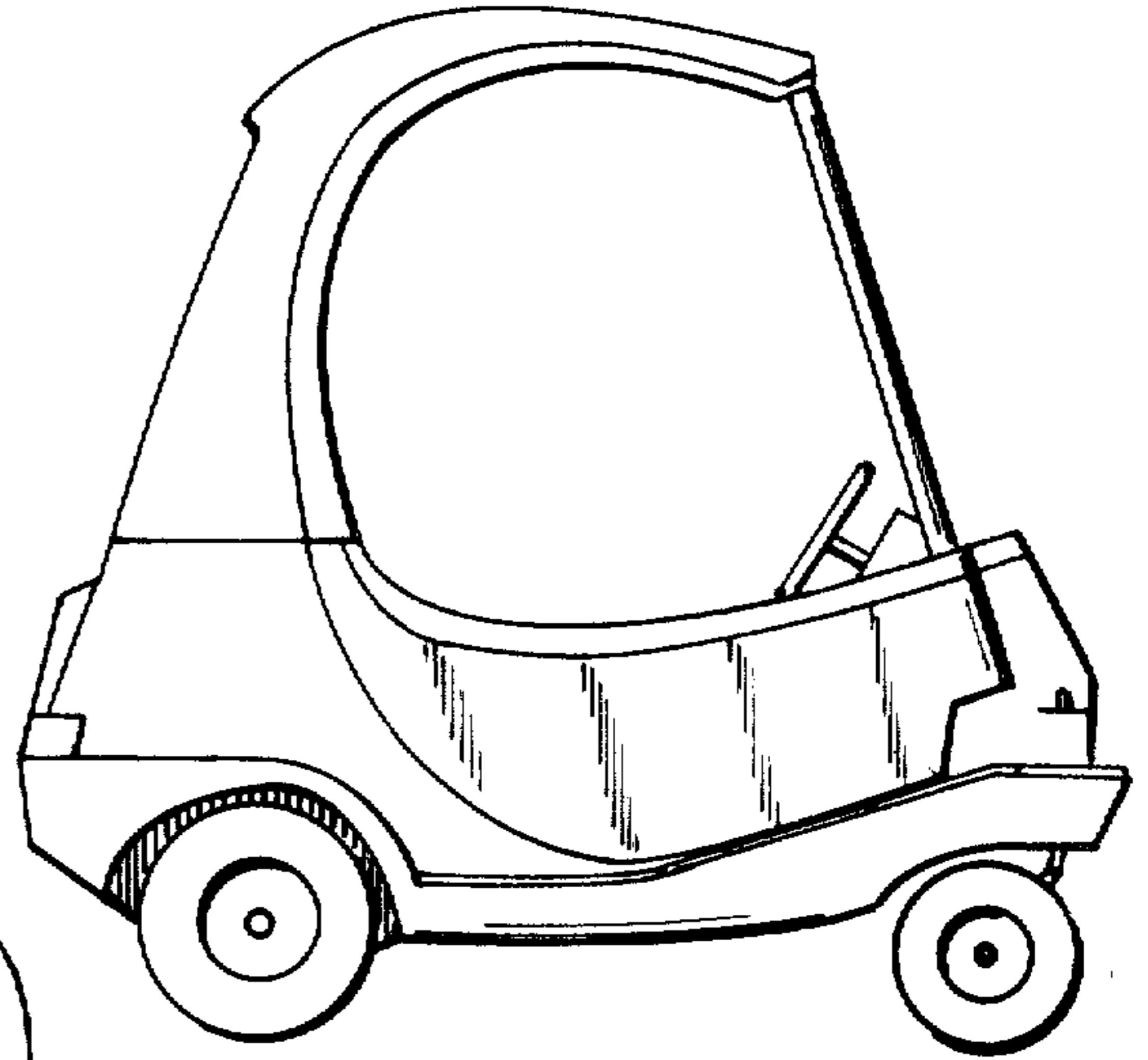
FIG. 5 is a top plan view thereof.

FIG. 6 is a bottom plan view thereof.

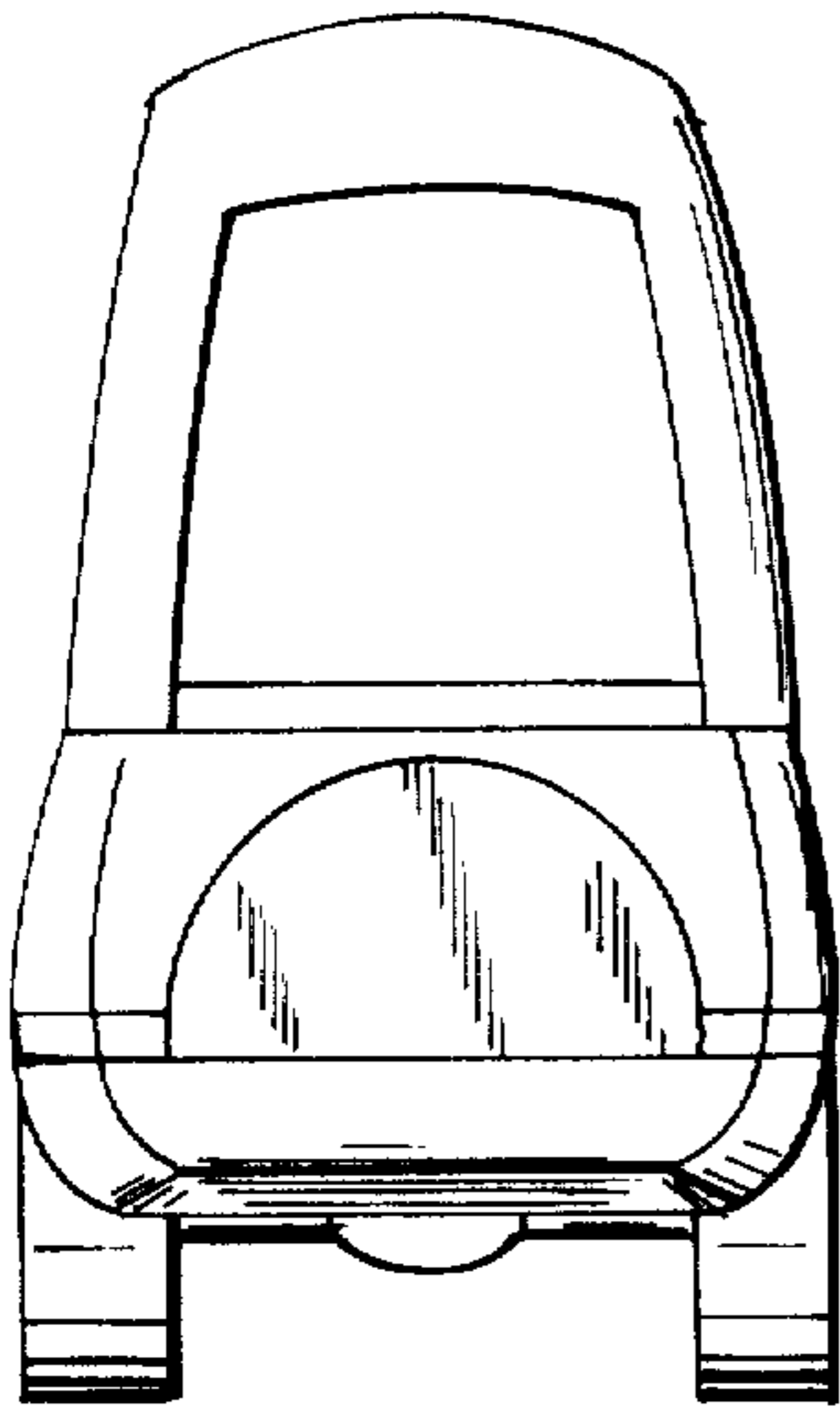




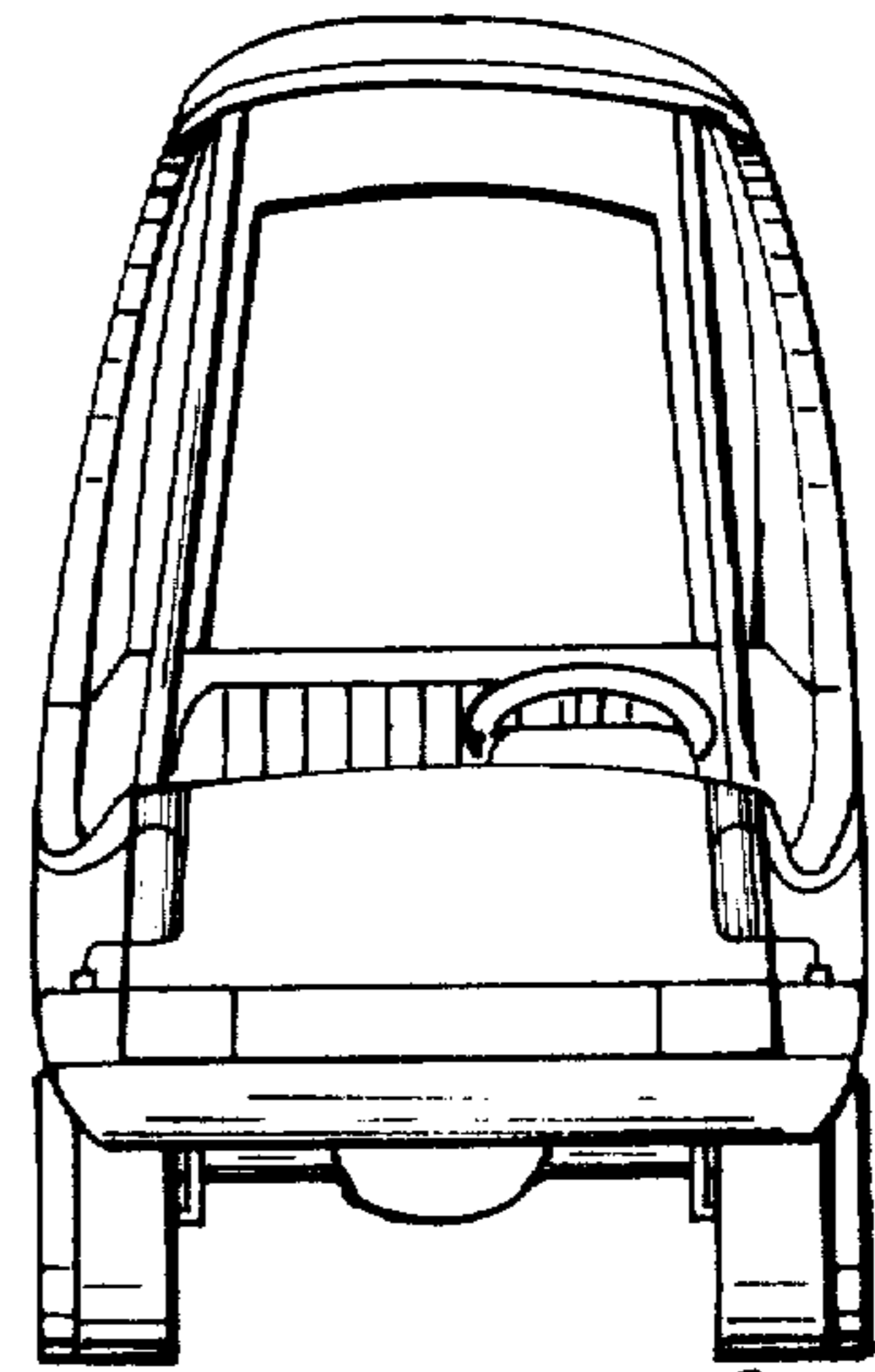
*Fig. 1*



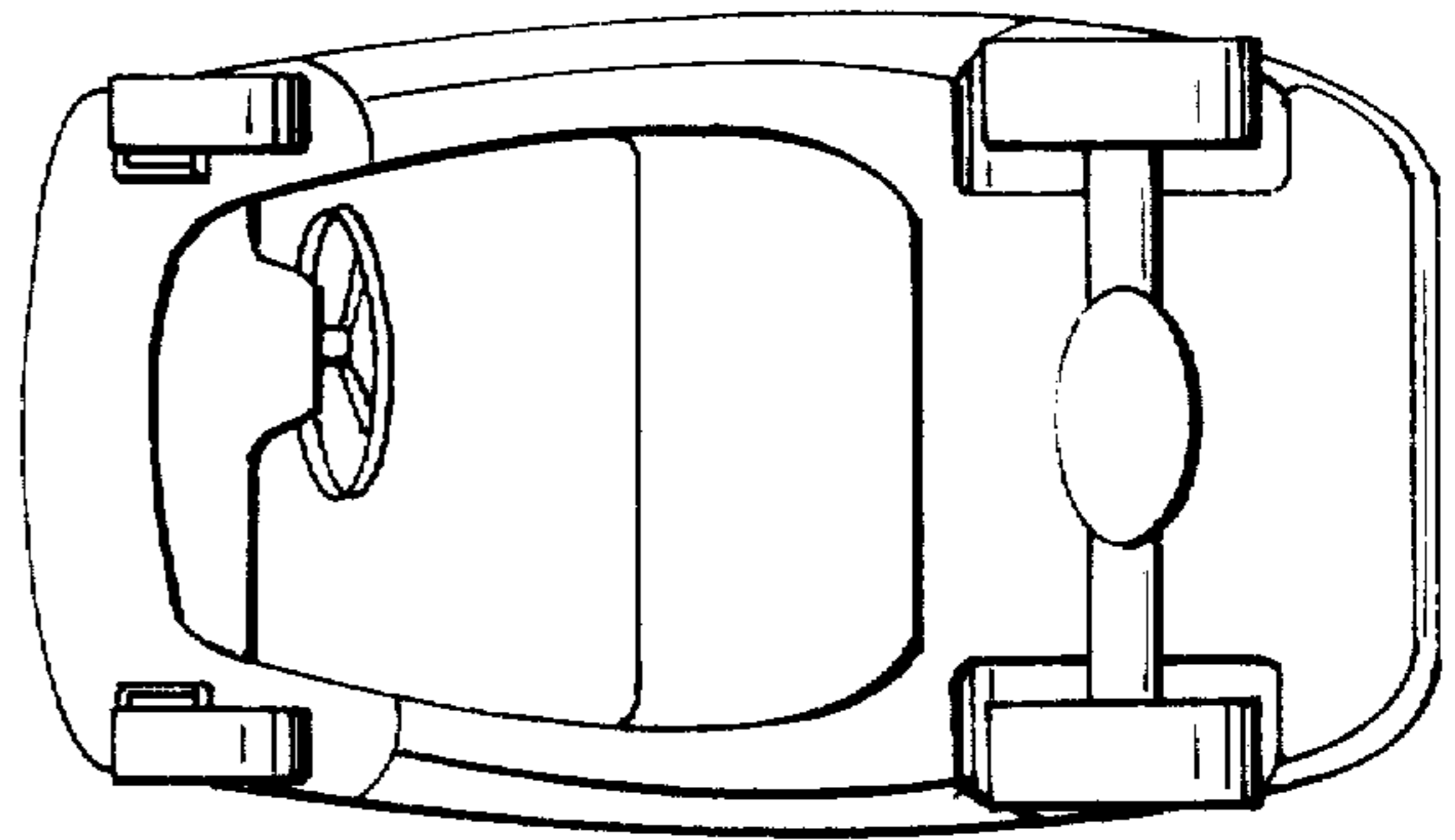
*Fig. 2*



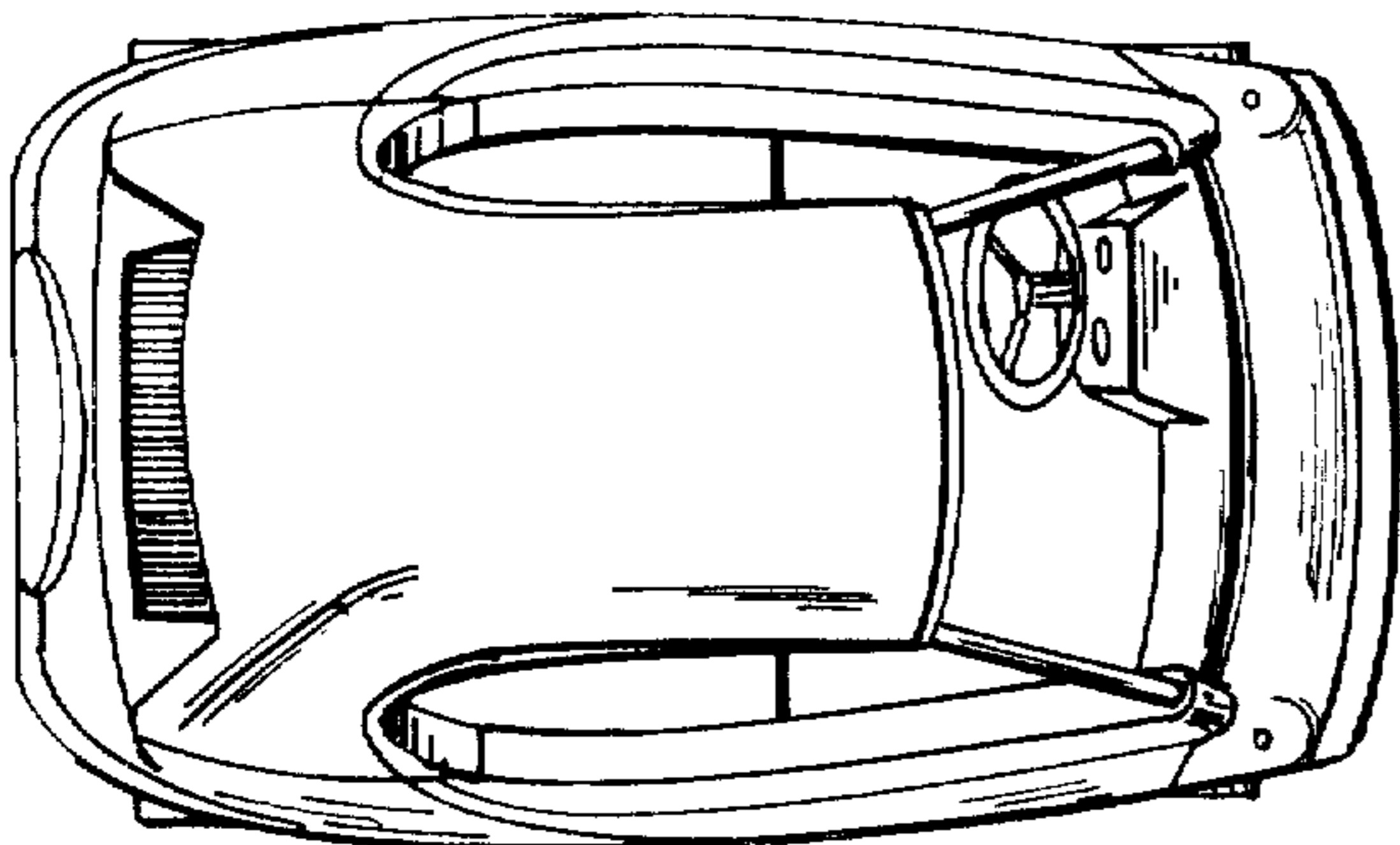
*Fig. 4*



*Fig. 3*



*Fig. 6*



*Fig. 5*