

[54] **DUAL PEN HOLDER**

[76] **Inventor:** Robert C. Bradbury, 26 Halsey La., Closter, N.J. 07624

[**] **Term:** 14 Years

[21] **Appl. No.:** 97,529

[22] **Filed:** Nov. 26, 1979

[51] **Int. Cl.** D19-02

[52] **U.S. Cl.** D19/85; D19/77

[58] **Field of Search** D19/75, 77, 78, 79, D19/81, 83, 85; 211/69.5-69.7, 69.9

[56] **References Cited**

U.S. PATENT DOCUMENTS

- | | | | | |
|------------|---------|-----------|-------|--------|
| D. 166,075 | 3/1952 | Glaberson | | D19/77 |
| D. 188,967 | 10/1960 | Bieger | | D19/75 |
| D. 255,586 | 6/1980 | Dave | | D19/85 |

OTHER PUBLICATIONS

Sheaffer's Decorator Design Desk Sets Cat. ©1961, p. 7, Item #113 C.

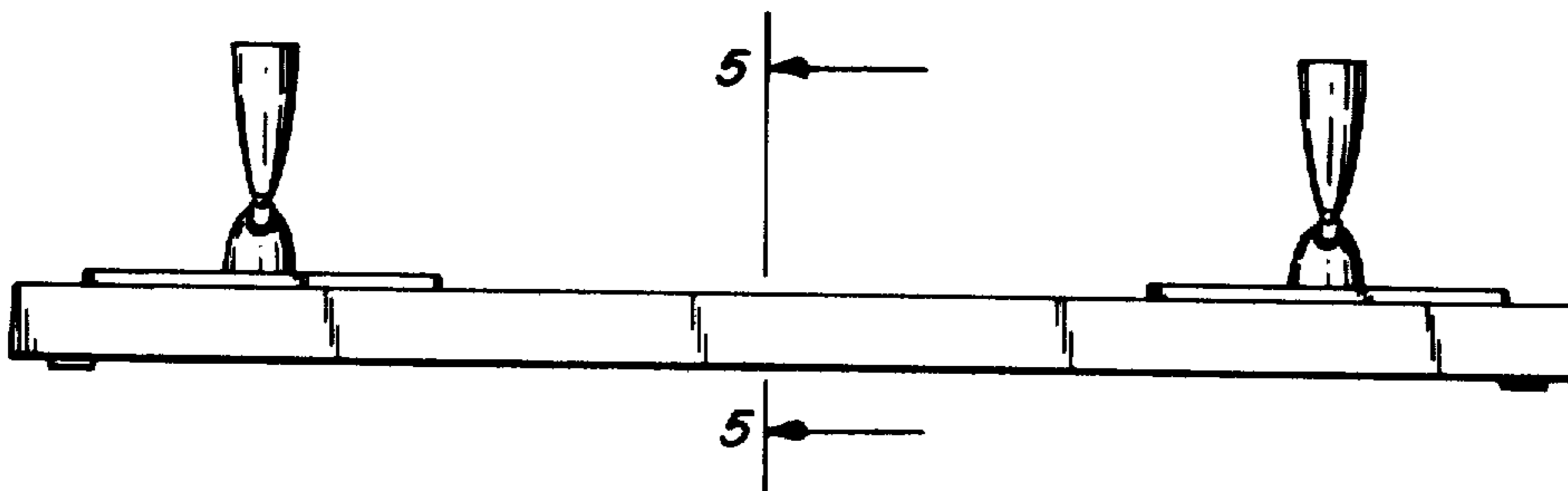
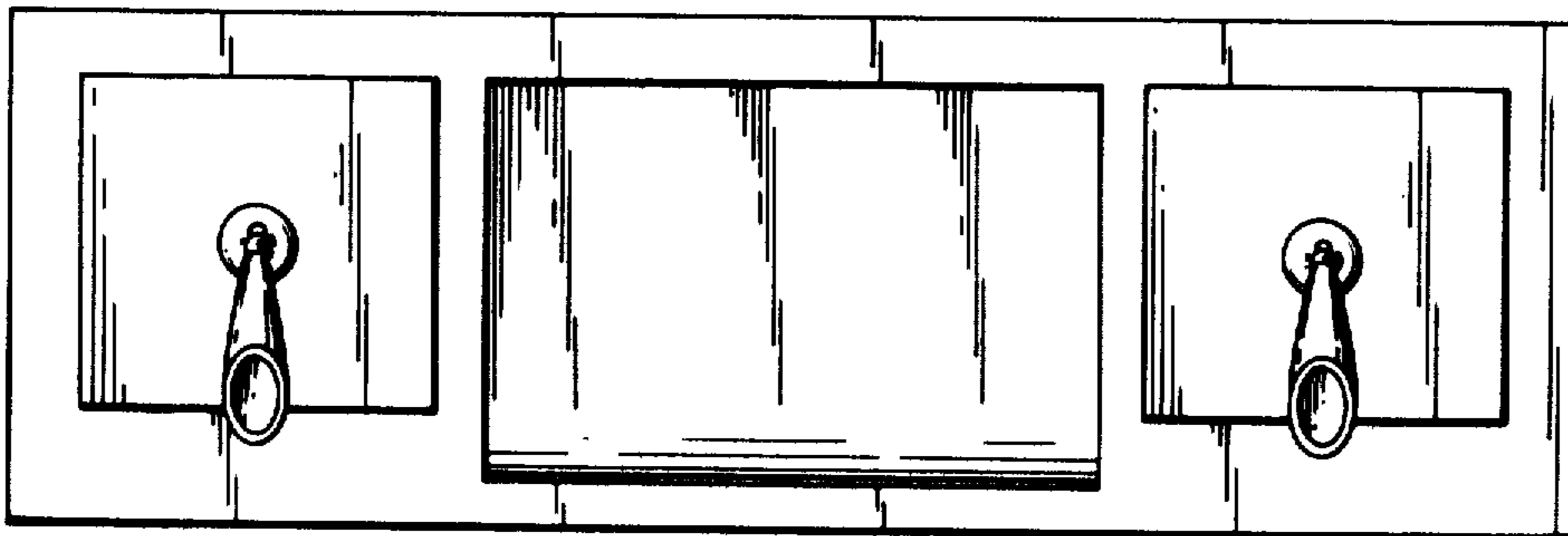
Primary Examiner—George P. Word
Attorney, Agent, or Firm—Anthony J. Casella

[57] **CLAIM**

The ornamental design for a dual pen holder, substantially as shown and described.

DESCRIPTION

FIG. 1 is a top plan view of a dual pen holder embodying my new design;
 FIG. 2 is a front elevational view thereof;
 FIG. 3 is a bottom plan view thereof;
 FIG. 4 is an end elevational view as seen from the left side of FIG. 1;
 FIG. 5 is a cross sectional view taken on line 5-5 of FIG. 2;
 FIG. 6 is a cross sectional view taken on line 6-6 of FIG. 4.



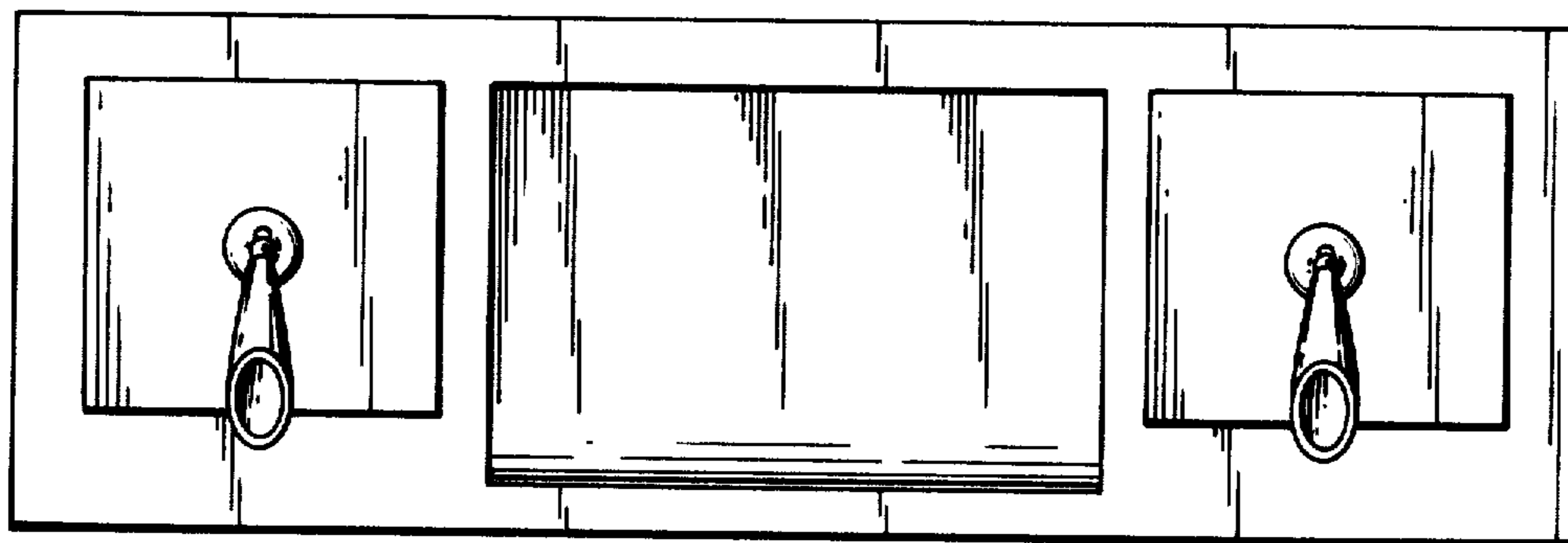


FIG. 1

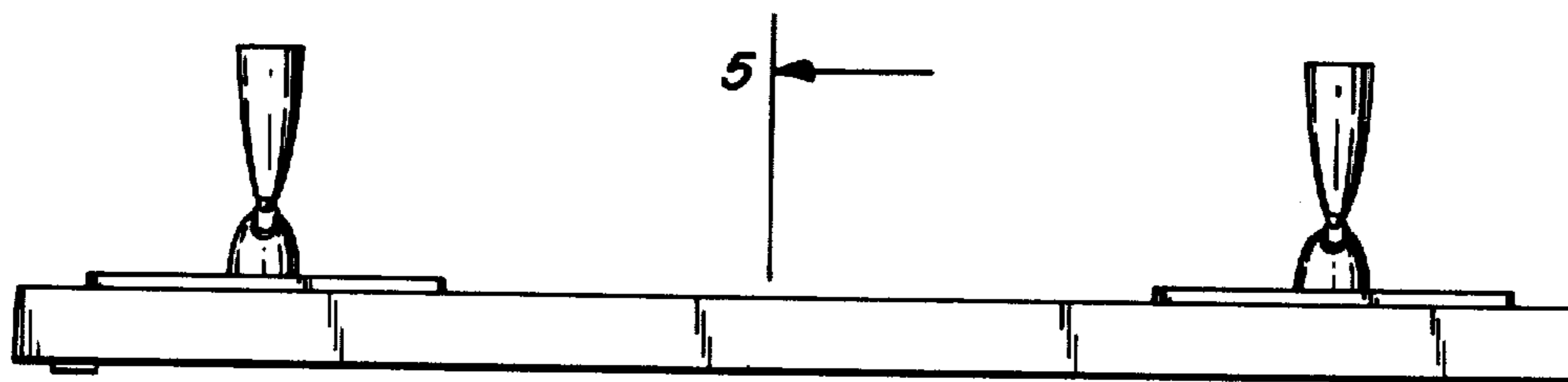


FIG. 2

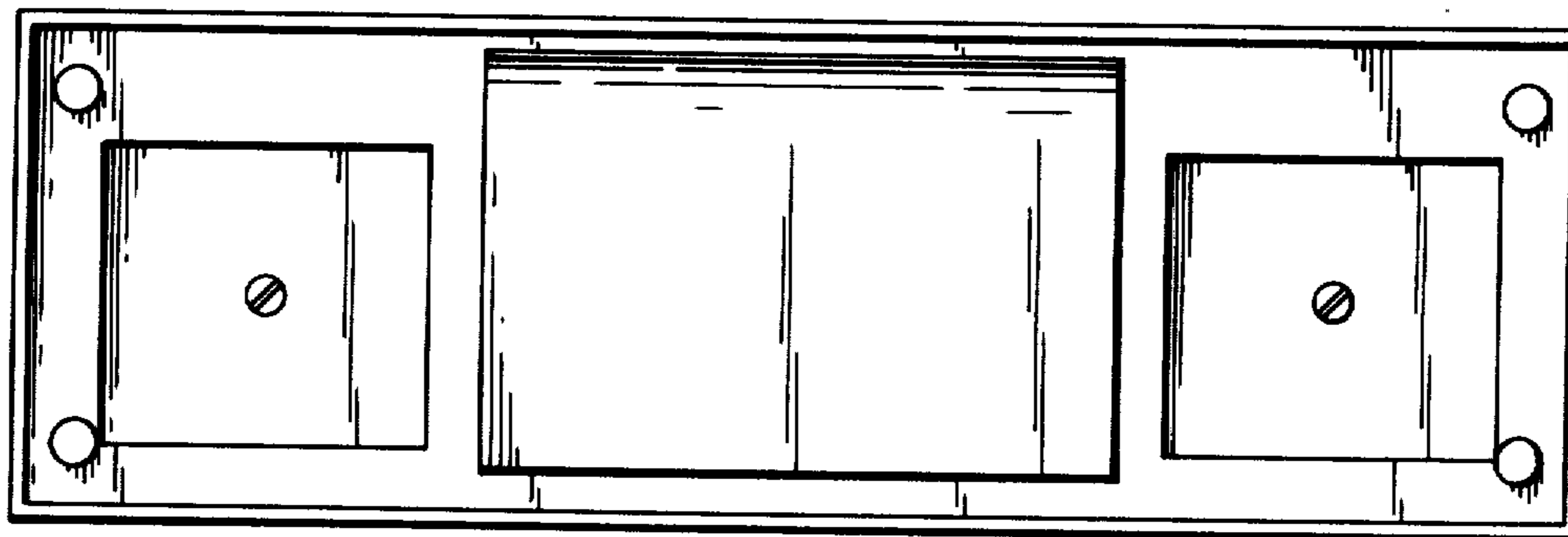


FIG. 3

FIG. 4

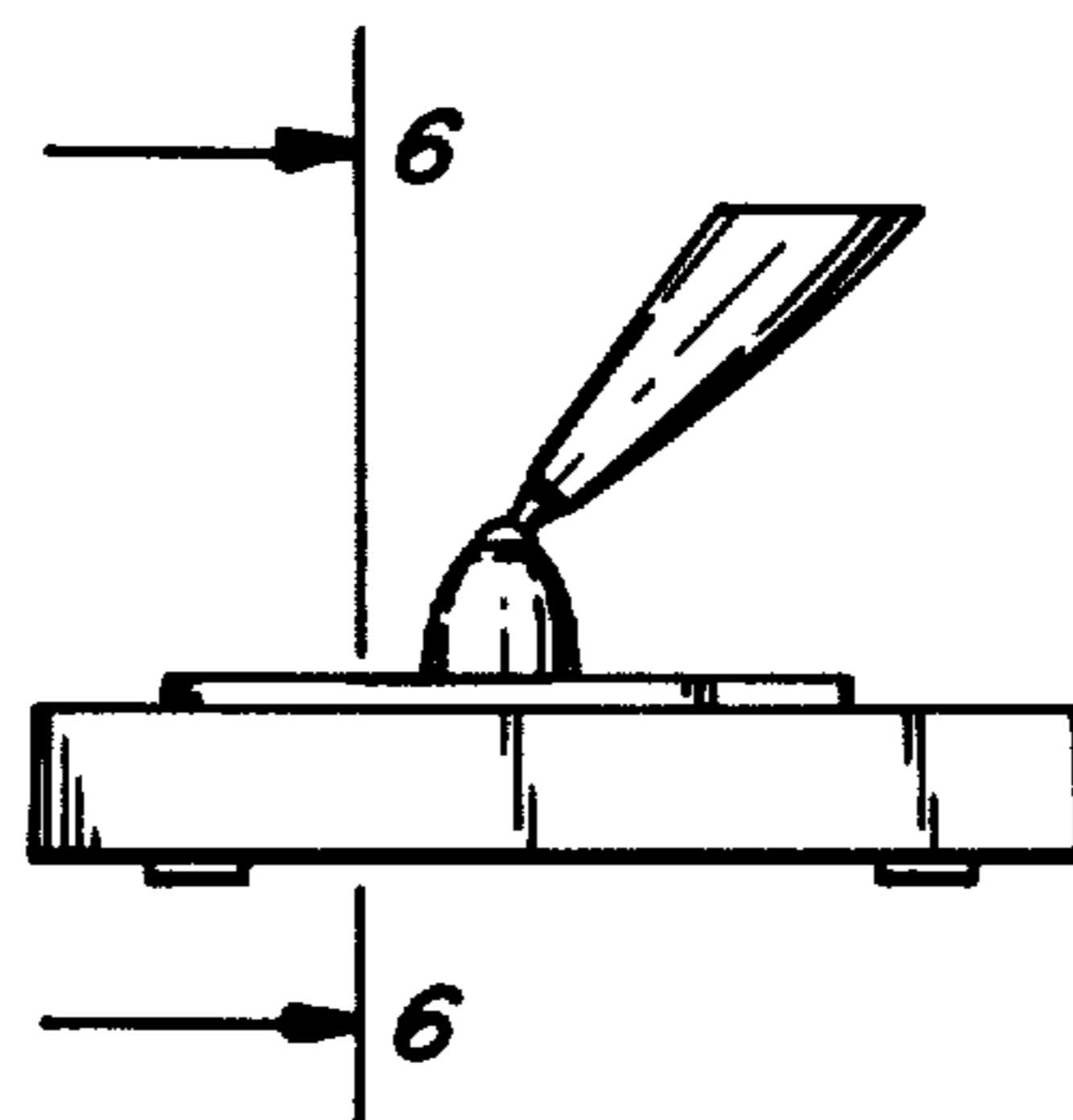


FIG. 5

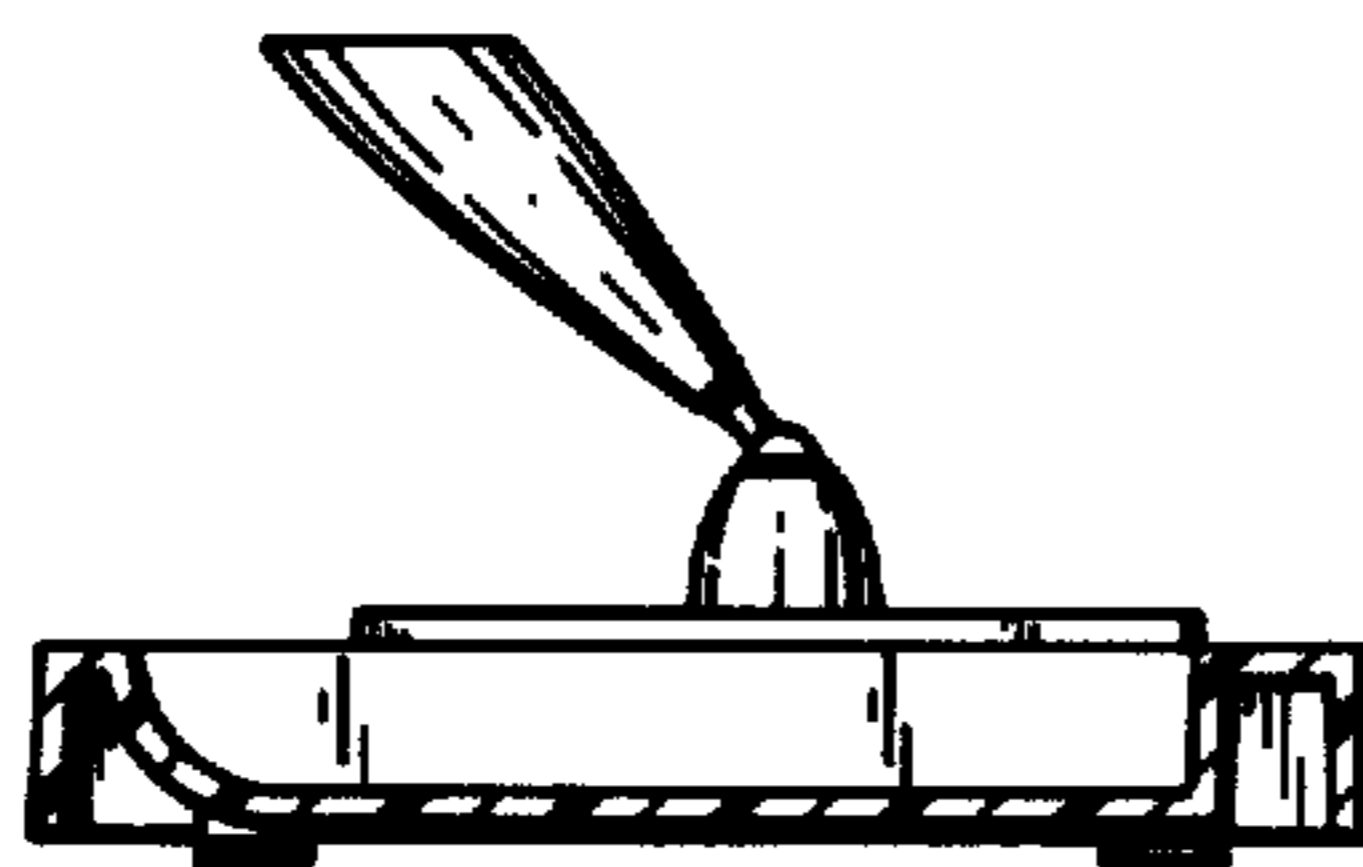


FIG. 6

