

[54] LIST FINDER

[75] Inventor: William S. Leib, III, Newton, N.J.

[73] Assignee: The Bates Manufacturing Company, Hackettstown, N.J.

[**] Term: 14 Years

[21] Appl. No.: 81,384

[22] Filed: Oct. 3, 1979

[51] Int. Cl. D19-02

[52] U.S. Cl. D19/76

[58] Field of Search D19/76; 40/371, 380-382, 40/384, 380, 395

[56] References Cited

U.S. PATENT DOCUMENTS

- D. 114,090 4/1939 Meier D19/76
- D. 187,570 3/1960 White D19/76
- D. 200,559 3/1965 Bosland D19/76

- D. 245,171 7/1977 Evenson D19/76
- 3,987,565 10/1976 Muri D19/76

Primary Examiner—George P. Word
Attorney, Agent, or Firm—Weingram & Klauber

[57] CLAIM

The ornamental design for a list finder, as shown and described.

DESCRIPTION

FIG. 1 is a perspective view of a list finder showing my new design;
 FIG. 2 is a top plan view thereof;
 FIG. 3 is a bottom plan view thereof;
 FIG. 4 is a right side elevational view thereof;
 FIG. 5 is a left side elevational view thereof;
 FIG. 6 is a front elevational view thereof;
 FIG. 7 is a rear elevational view thereof; and
 FIG. 8 is a perspective view thereof in the open position.

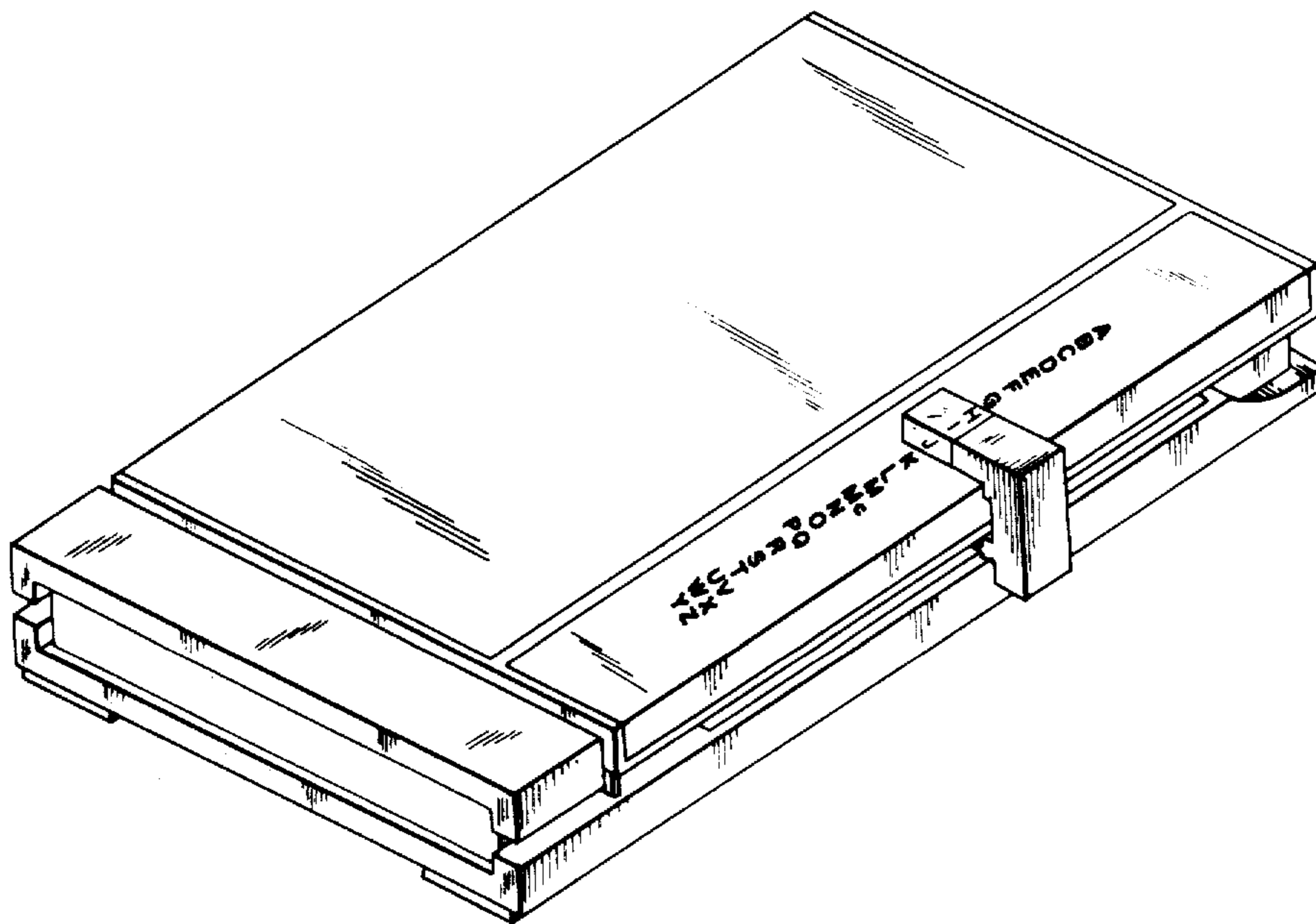


FIG. 1

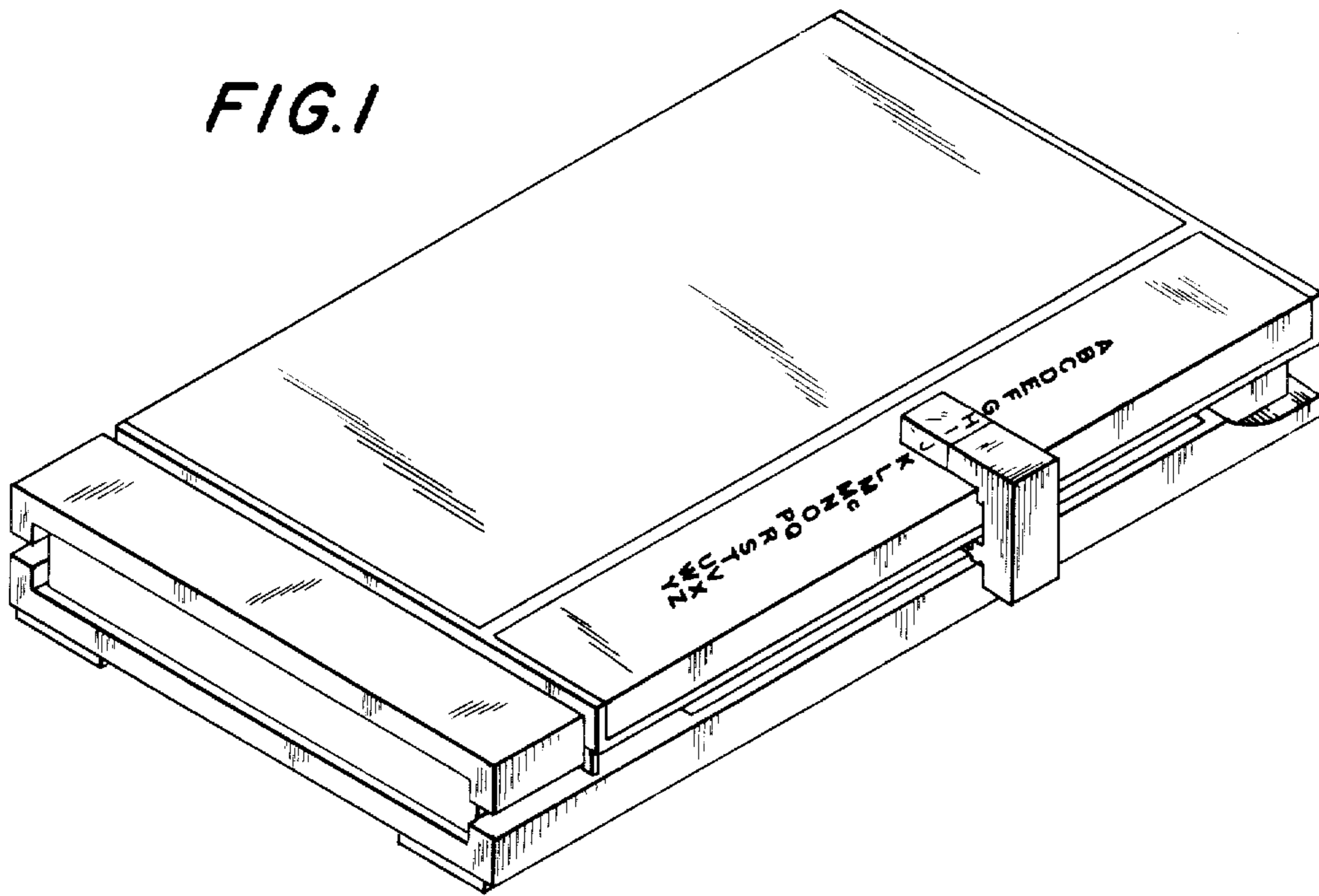


FIG. 2

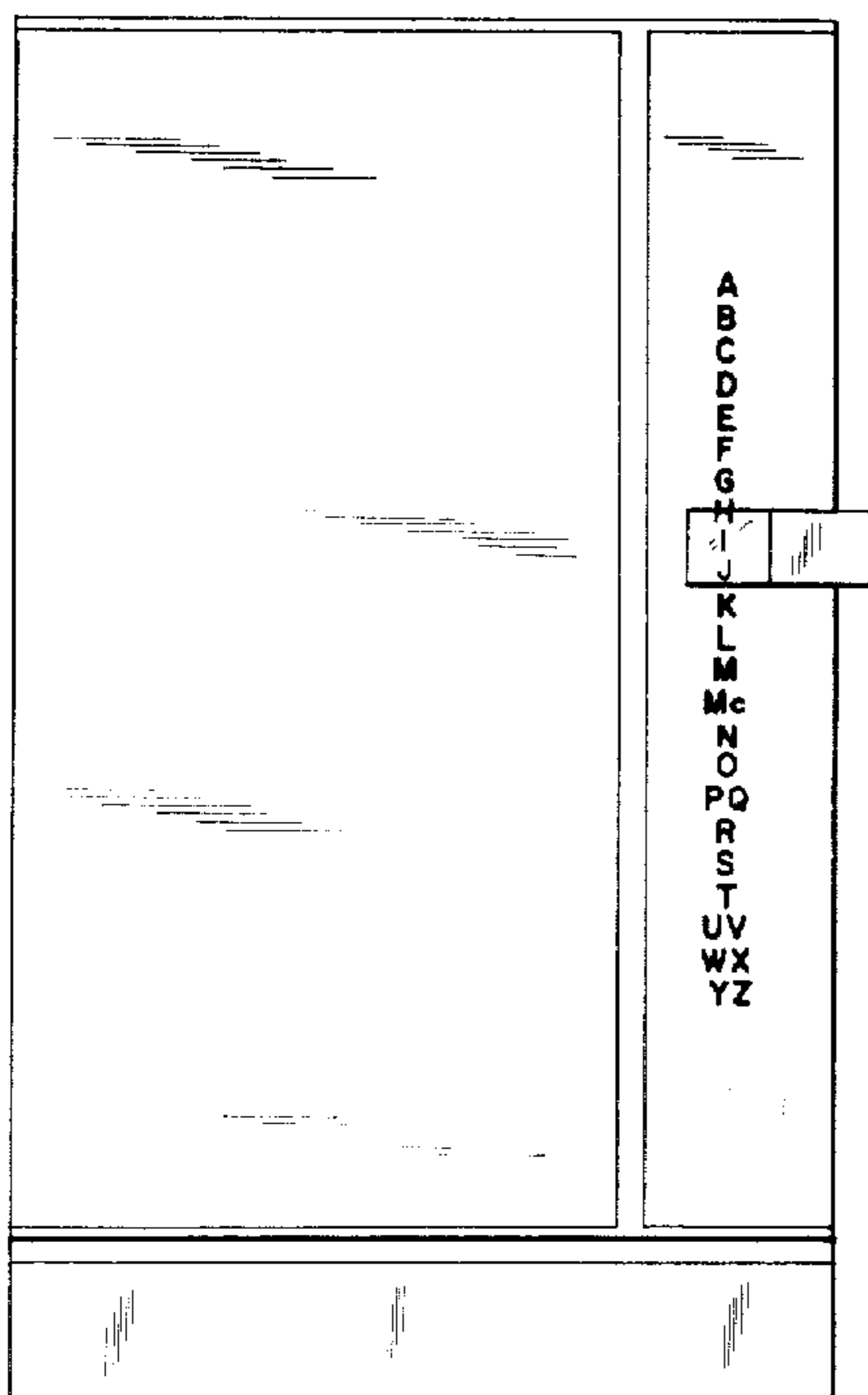


FIG. 3

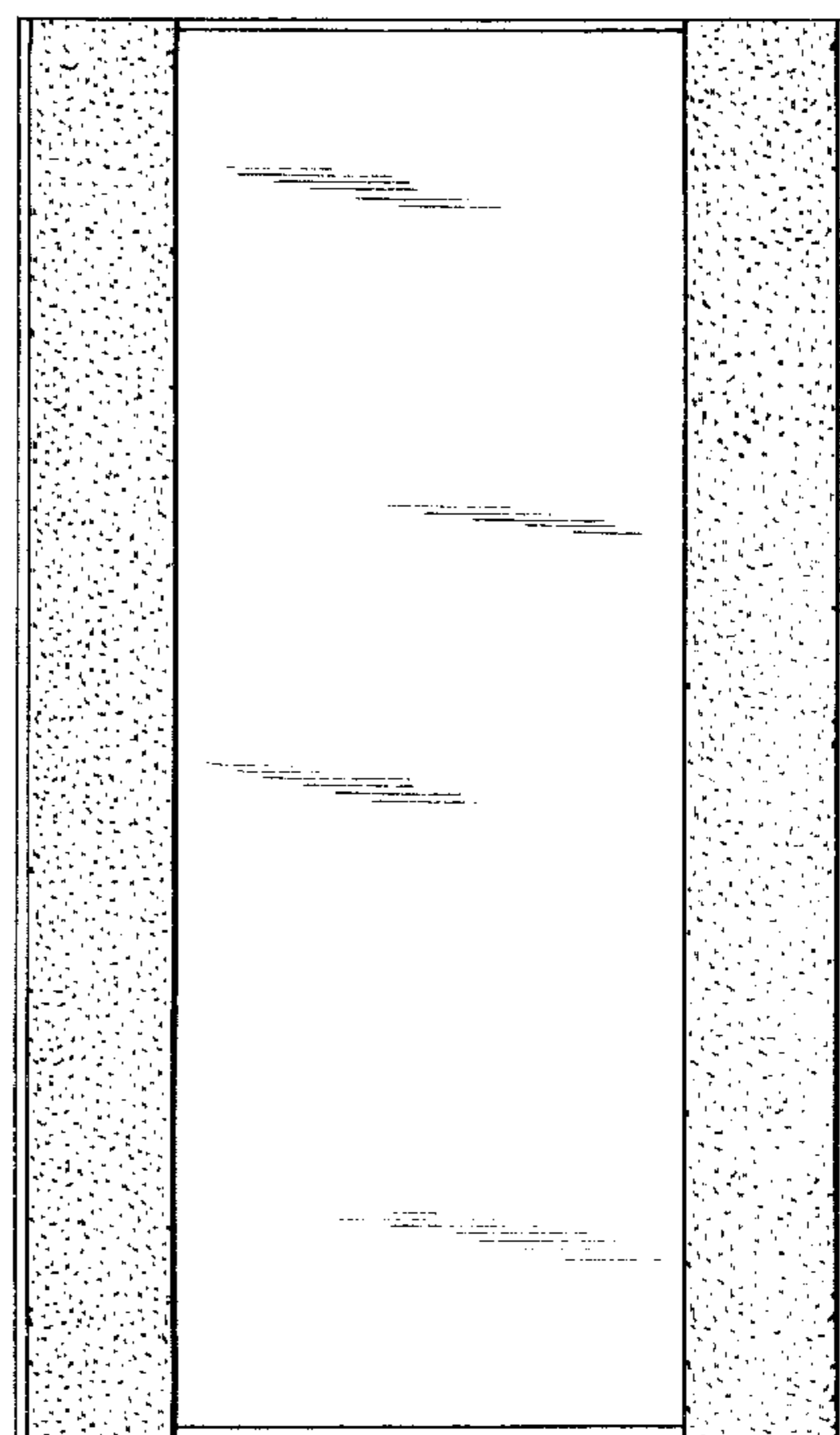


FIG. 4

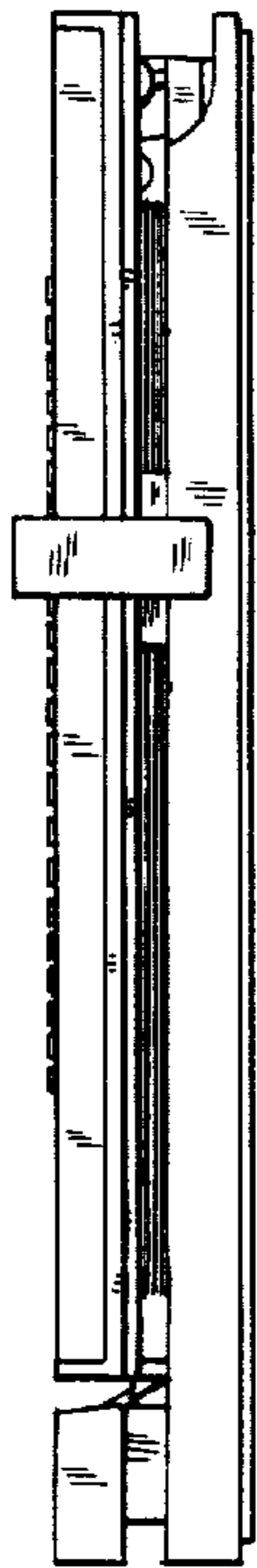


FIG. 5

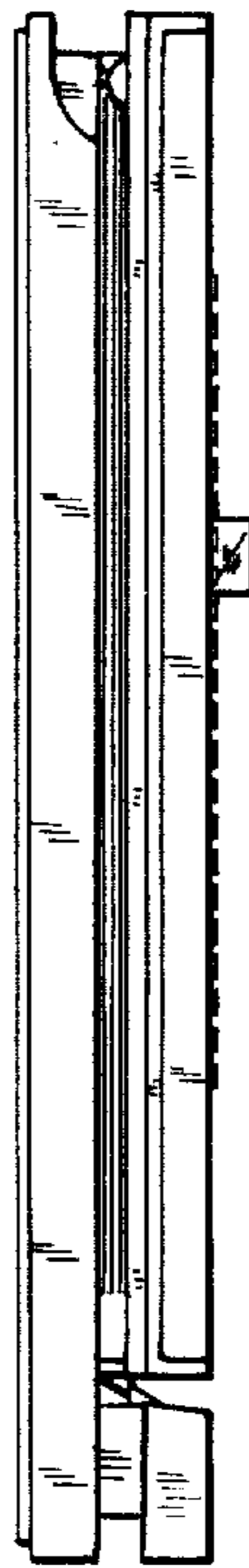


FIG. 6

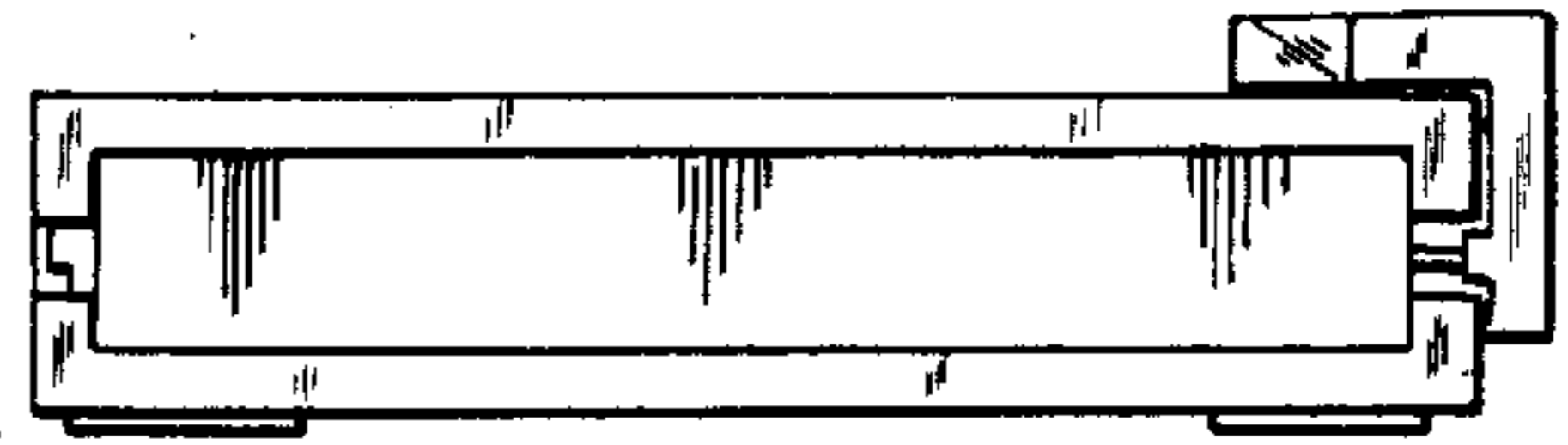


FIG. 7

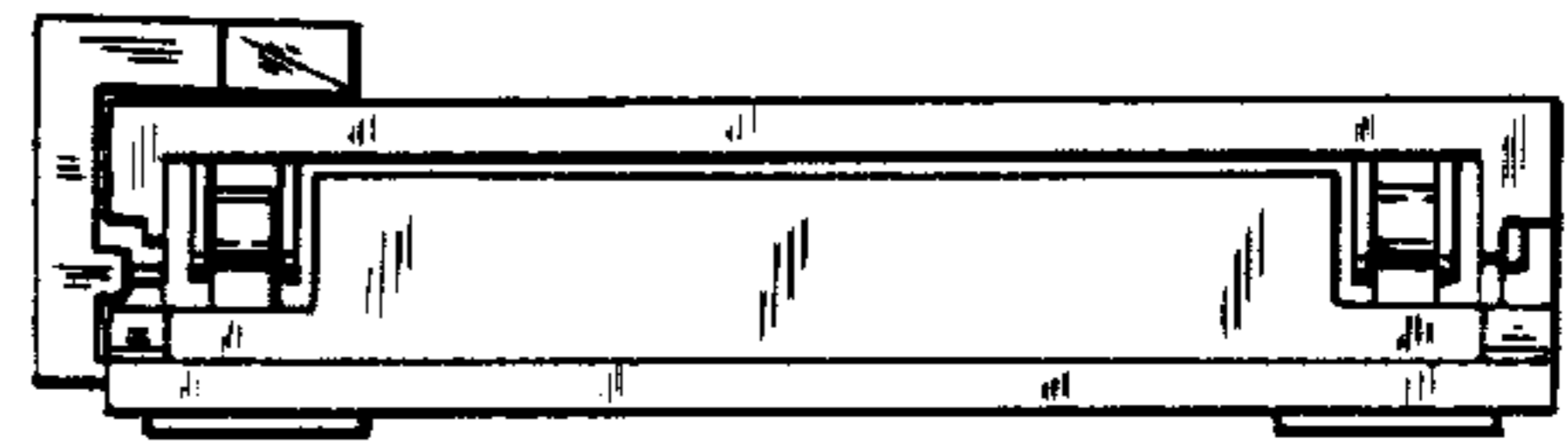


FIG. 8

