

[54] DESK UNIT FOR PAPER CLIPS AND SUNDRIES

[76] Inventor: Howard Sussman, c/o F. F. Adams Inc., 700 NW. 8th Ave., Fort Lauderdale, Fla. 33311

[**] Term: 14 Years

[21] Appl. No.: 100,103

[22] Filed: Dec. 4, 1979

[51] Int. Cl. D19-02

[52] U.S. Cl. D19/75; D19/77; D19/78; D19/81; D19/85; D19/97

[58] Field of Search D19/75-80, D19/82, 94, 100; D7/52, 71; D6/85, 157, 181, 186; 211/11, 131, 39, 164, 58; D11/156

[56]

References Cited

U.S. PATENT DOCUMENTS

D. 41,026	12/1910	Paige	D19/99
D. 158,746	5/1950	Hickman	D6/85
D. 162,434	3/1915	Norton, Jr.	D6/181
D. 250,823	1/1979	Theobald	D19/85
3,784,024	1/1974	Kristy	211/131

Primary Examiner—George P. Word

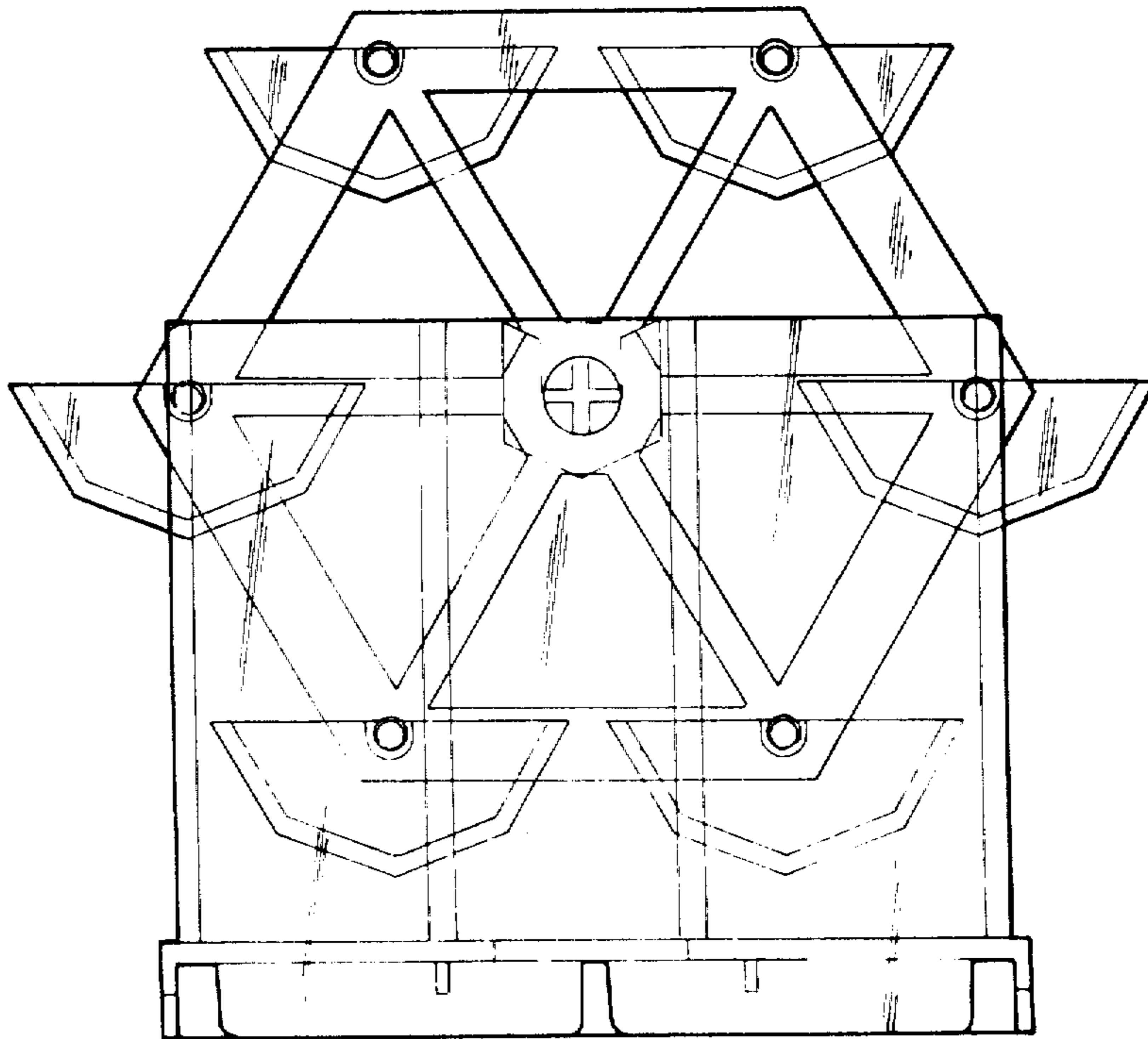
[57]

CLAIM

The ornamental design for a desk unit for paper clips and sundries, as shown.

DESCRIPTION

FIG. 1 is a front elevational view of a desk unit for paper clips and sundries embodying my new design; FIG. 2 is a bottom plan view thereof; FIG. 3 is a top plan view thereof; FIG. 4 is a right side elevational view thereof; FIG. 5 is a left side elevational view thereof; and FIG. 6 is a rear elevational view thereof.



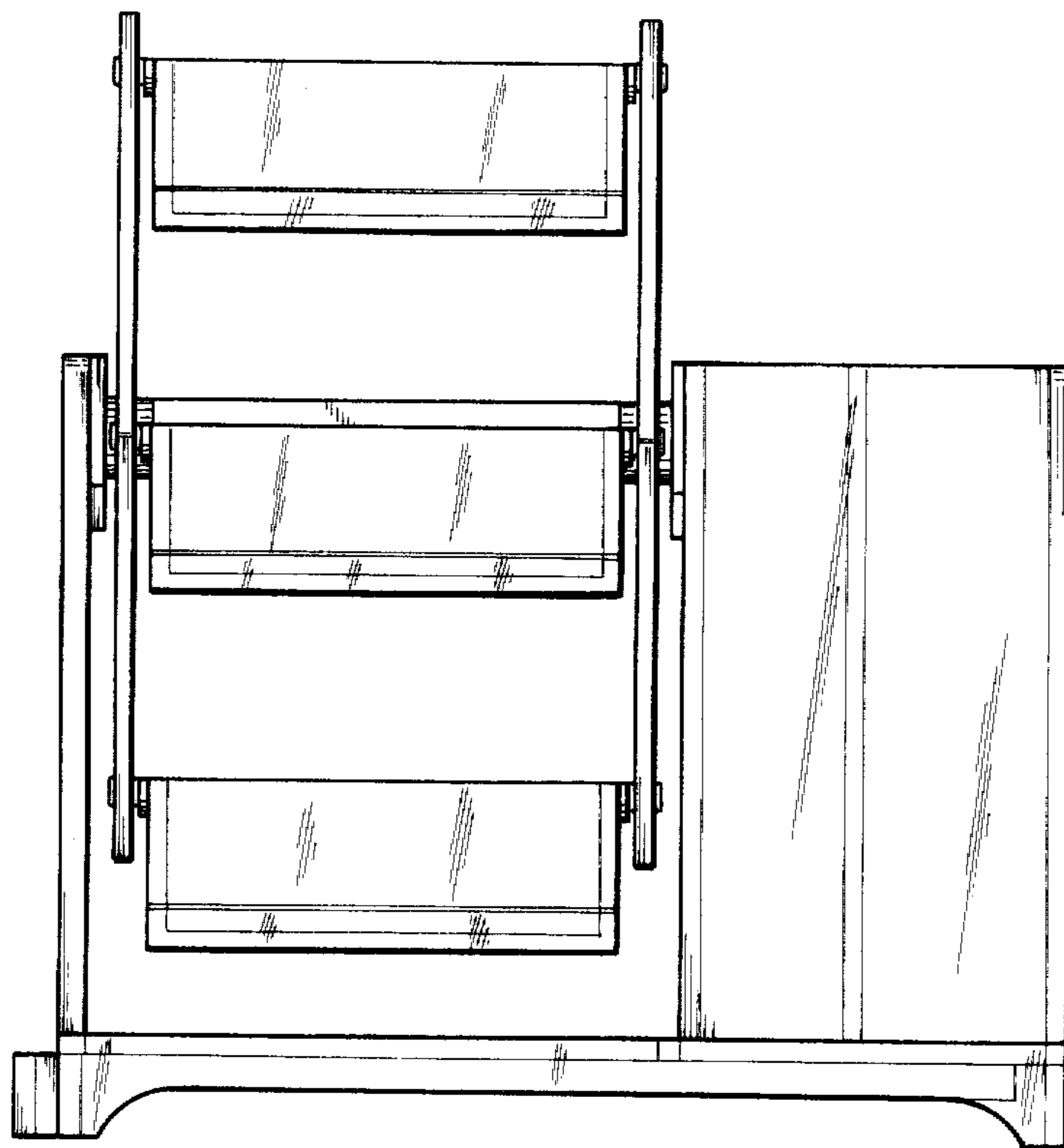


FIG. 1

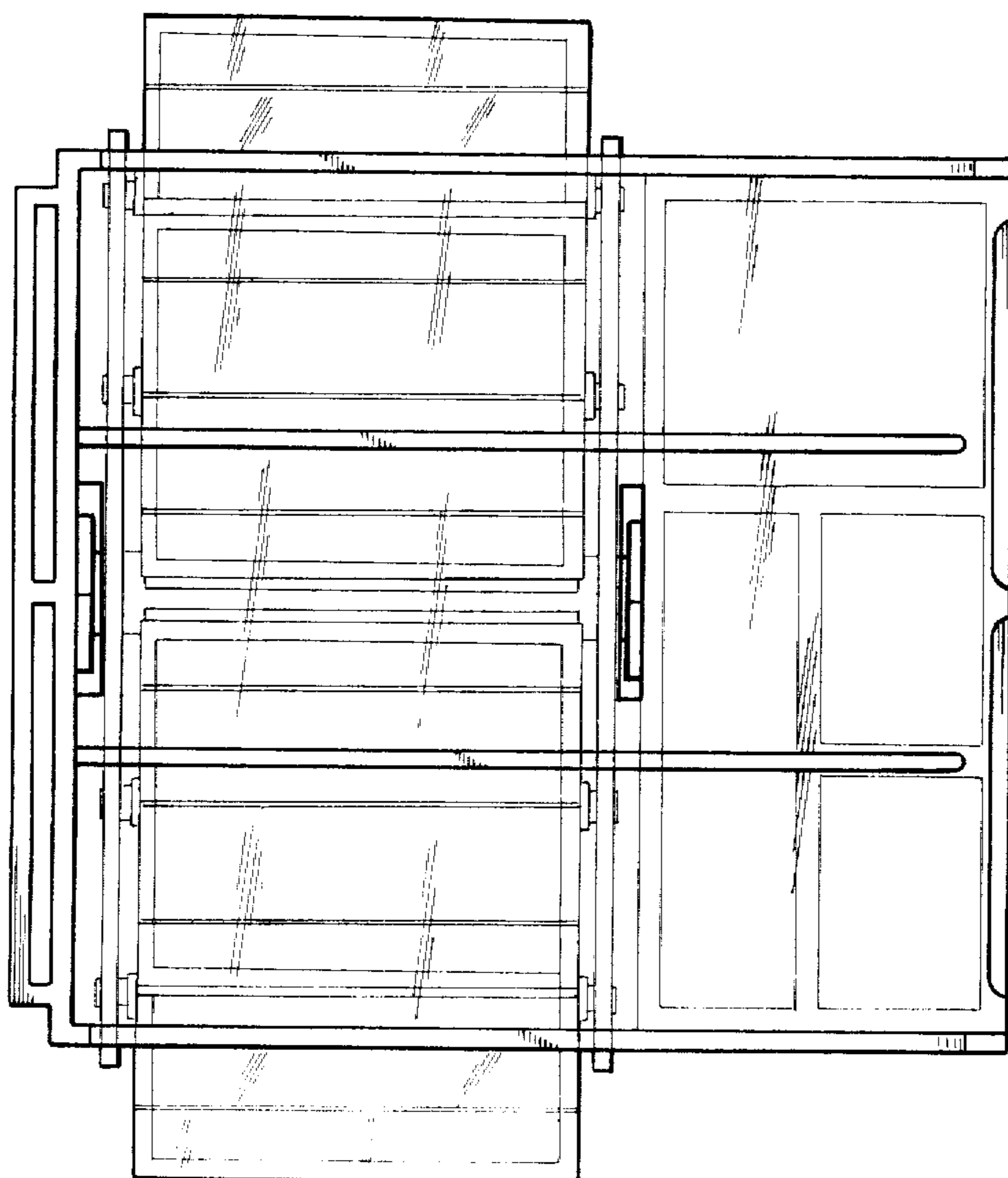


FIG. 2

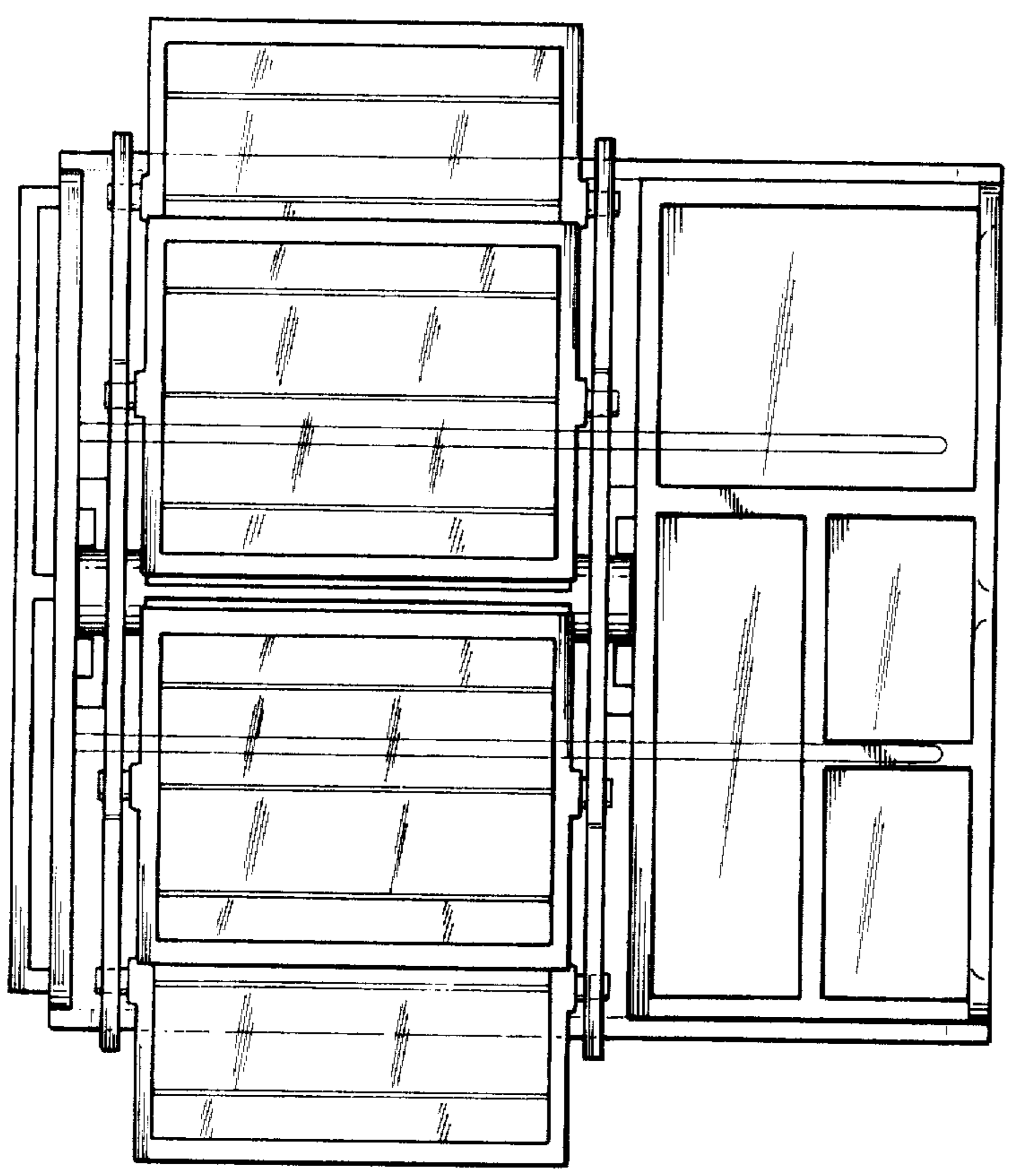


FIG. 3

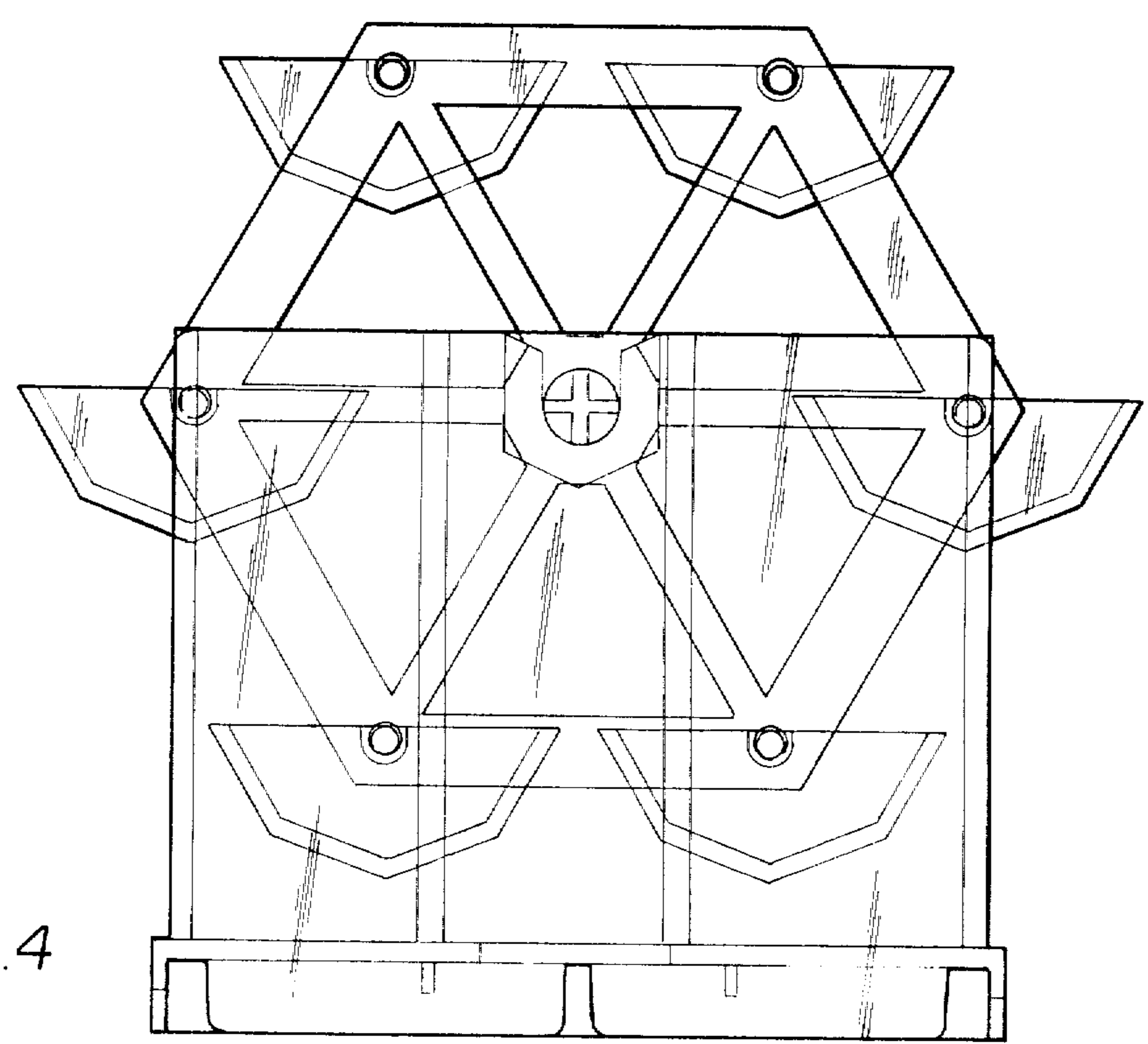


FIG. 4

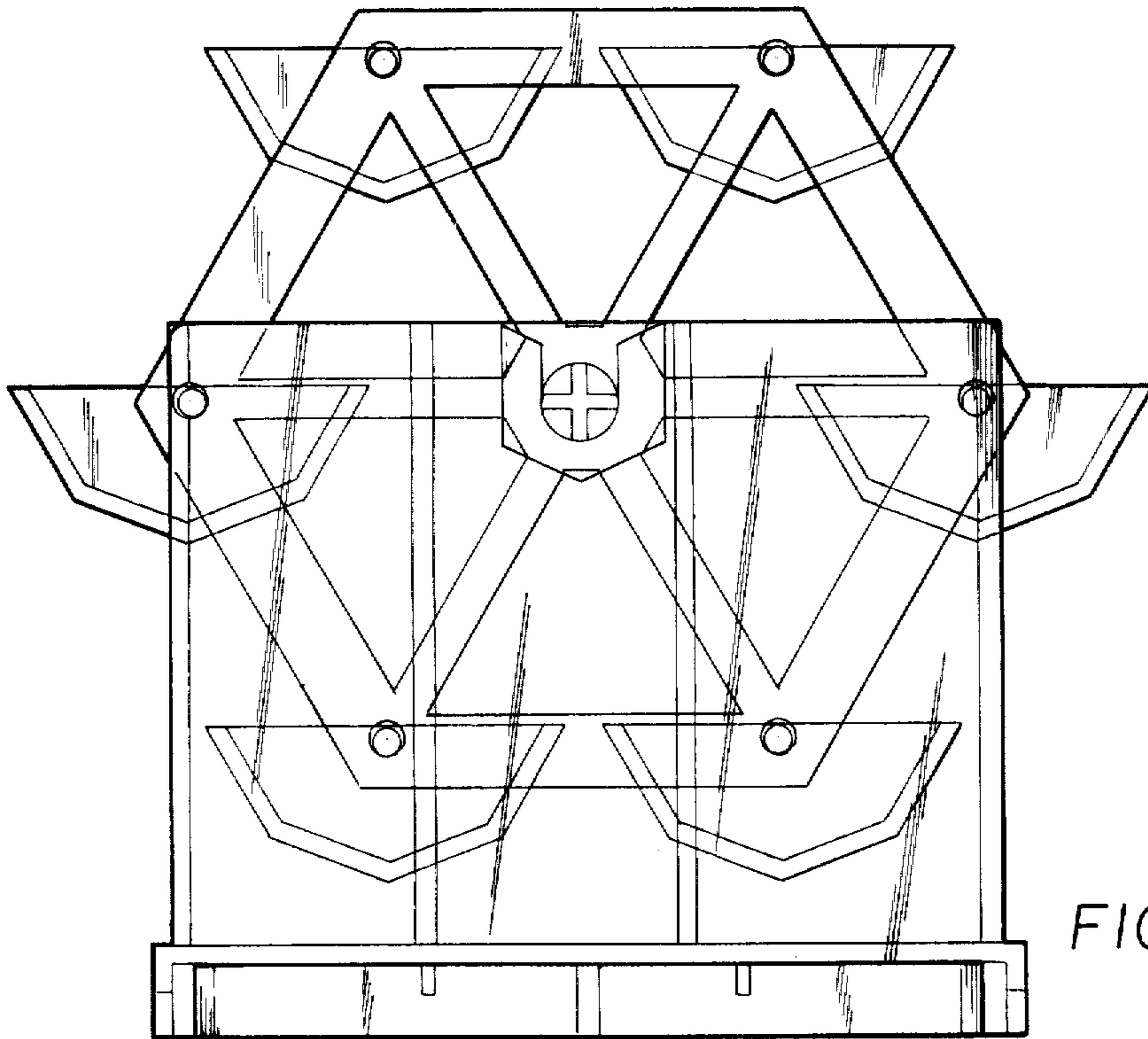


FIG. 5

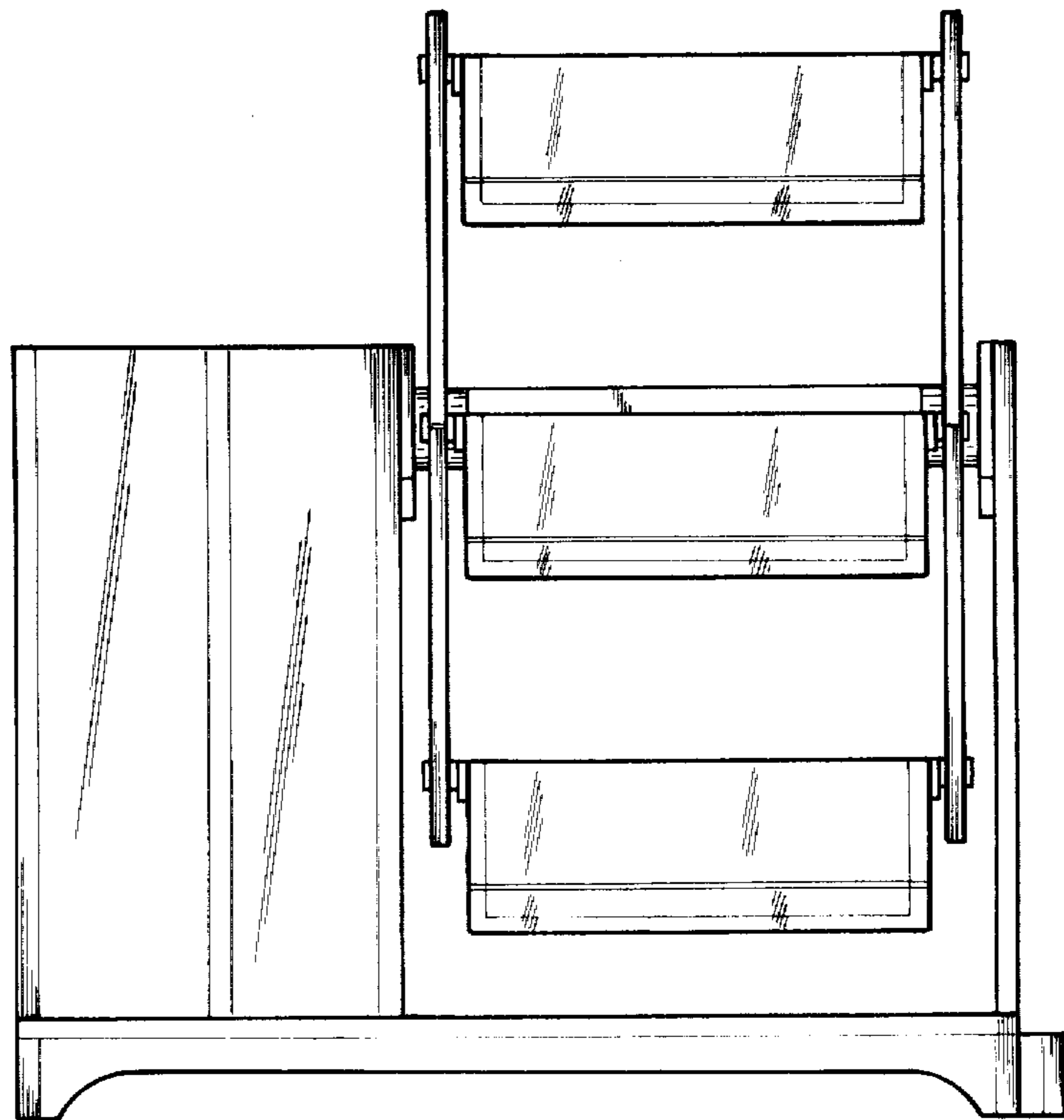


FIG. 6