

[54] FILMSTRIP VIEWER

[76] Inventor: Kenneth Young, 33 Hitching Post  
La., Glen Cove, N.Y. 11542

[\*\*] Term: 14 Years

[21] Appl. No.: 131,395

[22] Filed: Mar. 17, 1980

[51] Int. Cl. .... D16-02

[52] U.S. Cl. .... D16/17

[58] Field of Search ..... D10/11, 14, 17, 18;  
352/129, 242; 40/361-367; 353/22-27, 74, 119,  
DIG. 2, 43

[56] References Cited

U.S. PATENT DOCUMENTS

|            |         |         |       |         |
|------------|---------|---------|-------|---------|
| D. 180,369 | 5/1957  | Katz    | ..... | D16/17  |
| D. 253,058 | 10/1979 | Antos   | ..... | D16/14  |
| D. 254,010 | 1/1980  | Elsner  | ..... | D16/17  |
| D. 255,581 | 6/1980  | Owens   | ..... | D16/17  |
| 1,964,879  | 7/1934  | Jelinek | ..... | 40/364  |
| 3,306,697  | 2/1967  | Nemeth  | ..... | 352/129 |

OTHER PUBLICATIONS

*Industrial Design*-3/60-p. 69-Hand Switch at bottom--  
right.

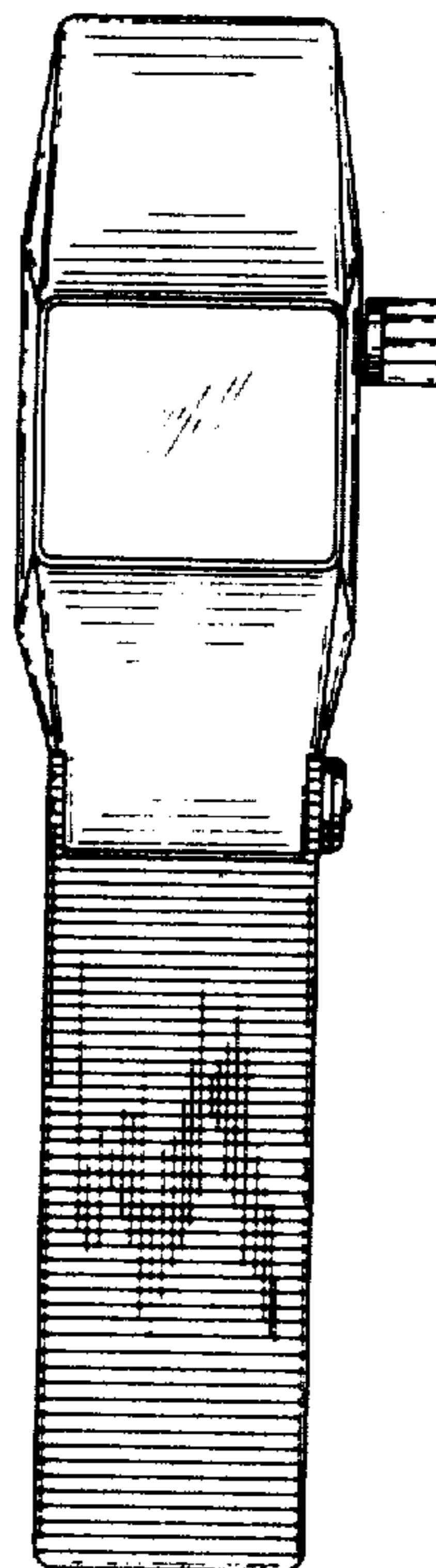
Primary Examiner—Nelson C. Holtje

[57] CLAIM

The ornamental design for a filmstrip viewer, as shown  
and described.

DESCRIPTION

FIG. 1 is a front elevational view of a filmstrip viewer  
showing my new design with the handle fully open;  
FIG. 2 is a rear elevational view of FIG. 1;  
FIG. 3 is a front and top-right perspective view of FIG.  
1;  
FIG. 4 is a right front perspective view of FIG. 3 with  
the handle partially open;  
FIG. 5 is a top plan view of FIG. 4;  
FIG. 6 is a bottom plan view of FIG. 4;  
FIG. 7 is a right side elevational view of FIG. 4 with the  
handle fully closed.



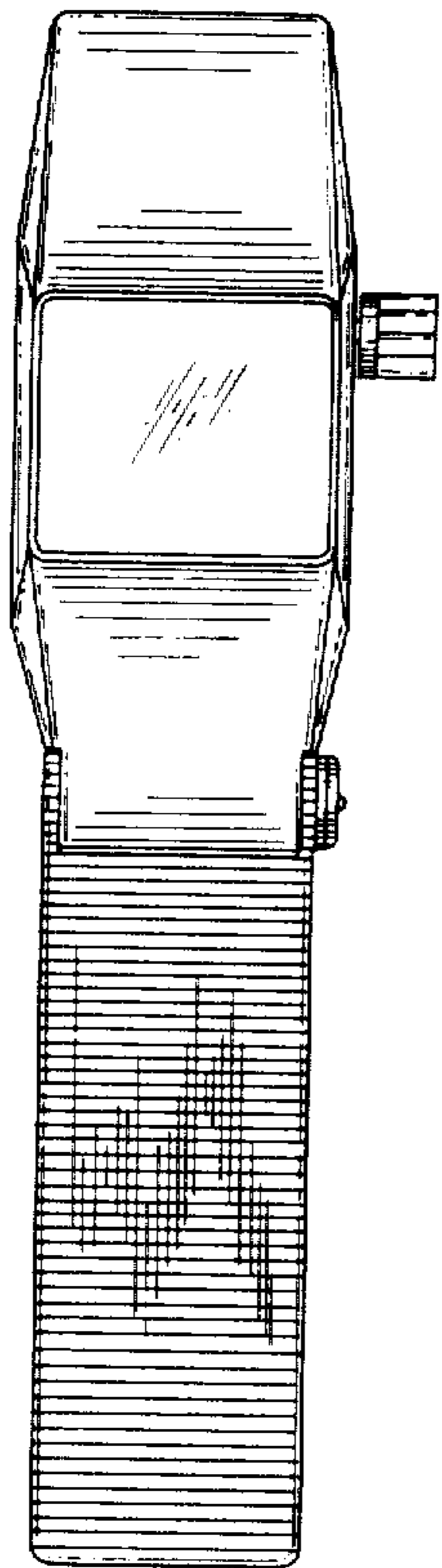


FIG 1

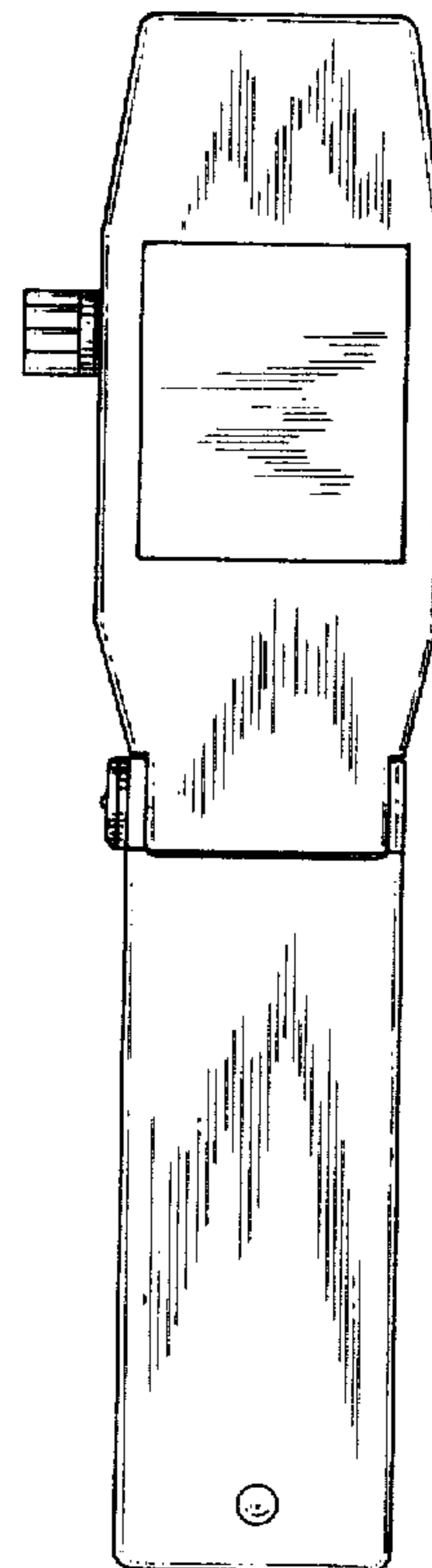


FIG 2

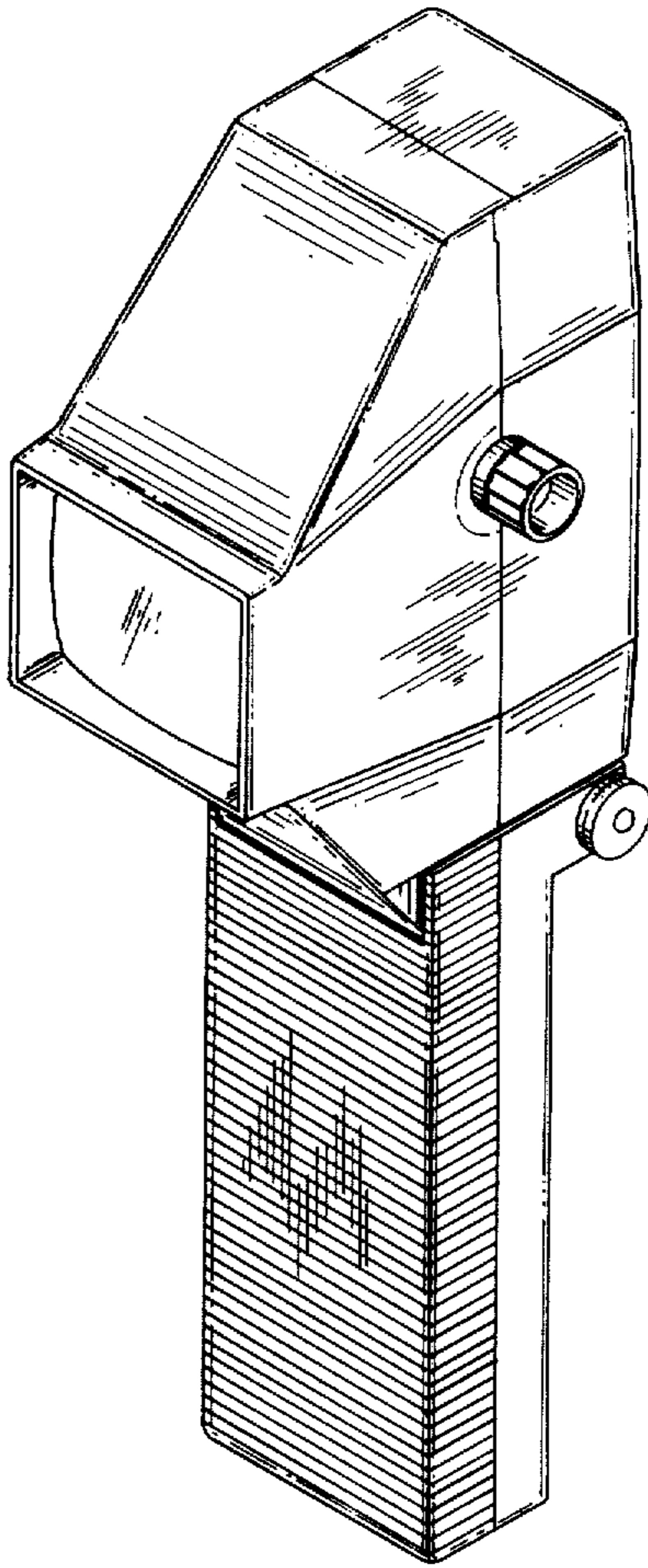


FIG 3

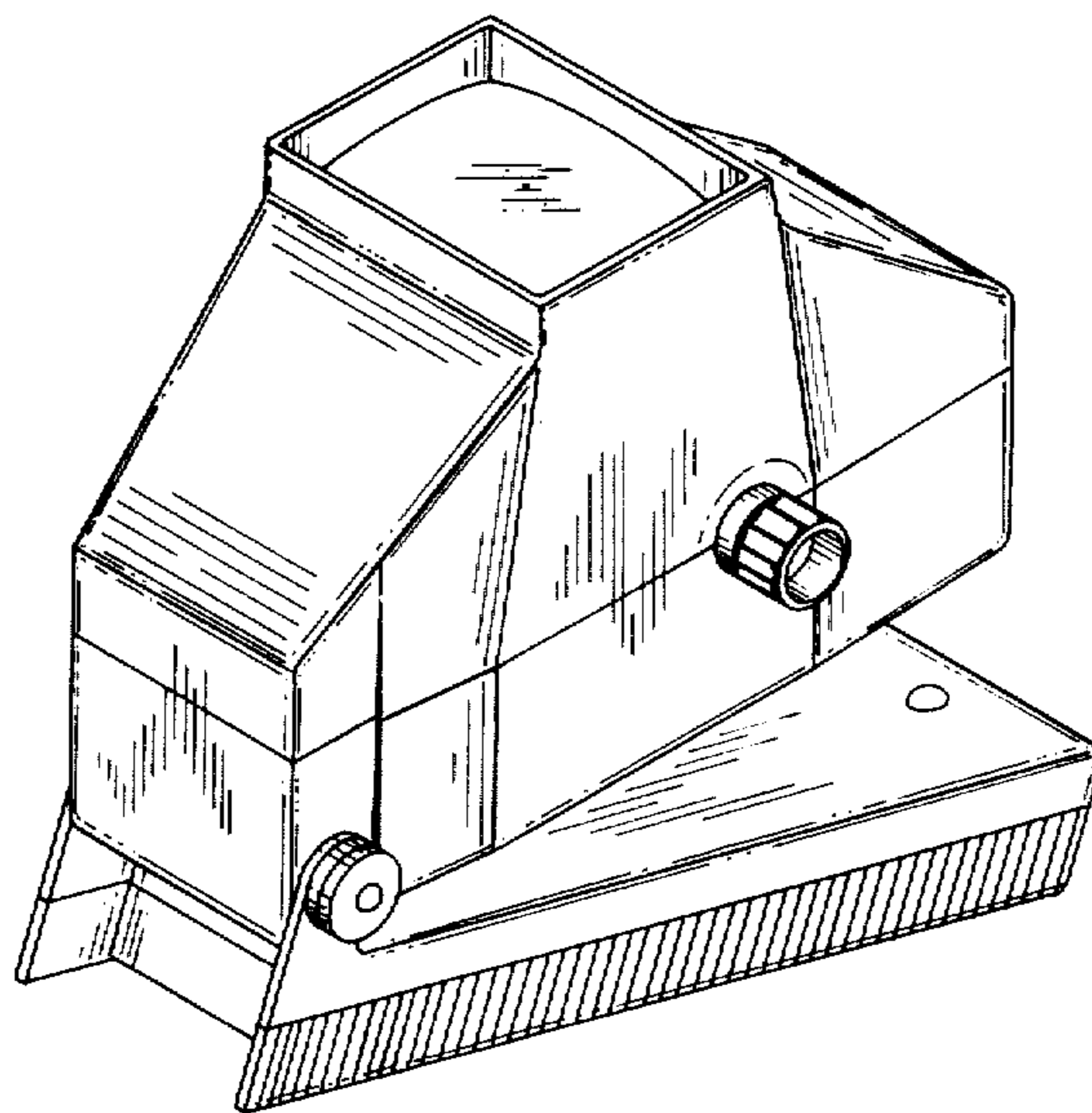


FIG 4

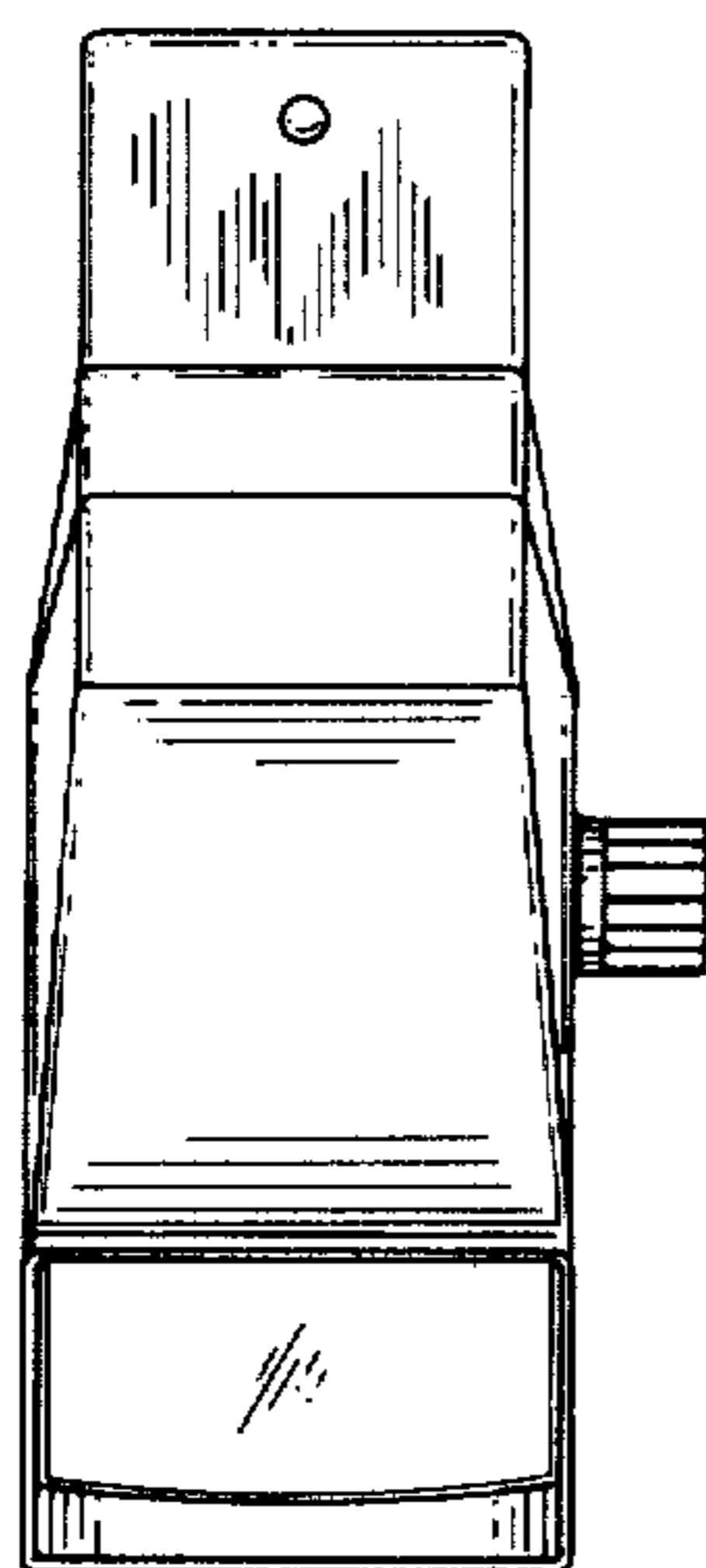


FIG 5

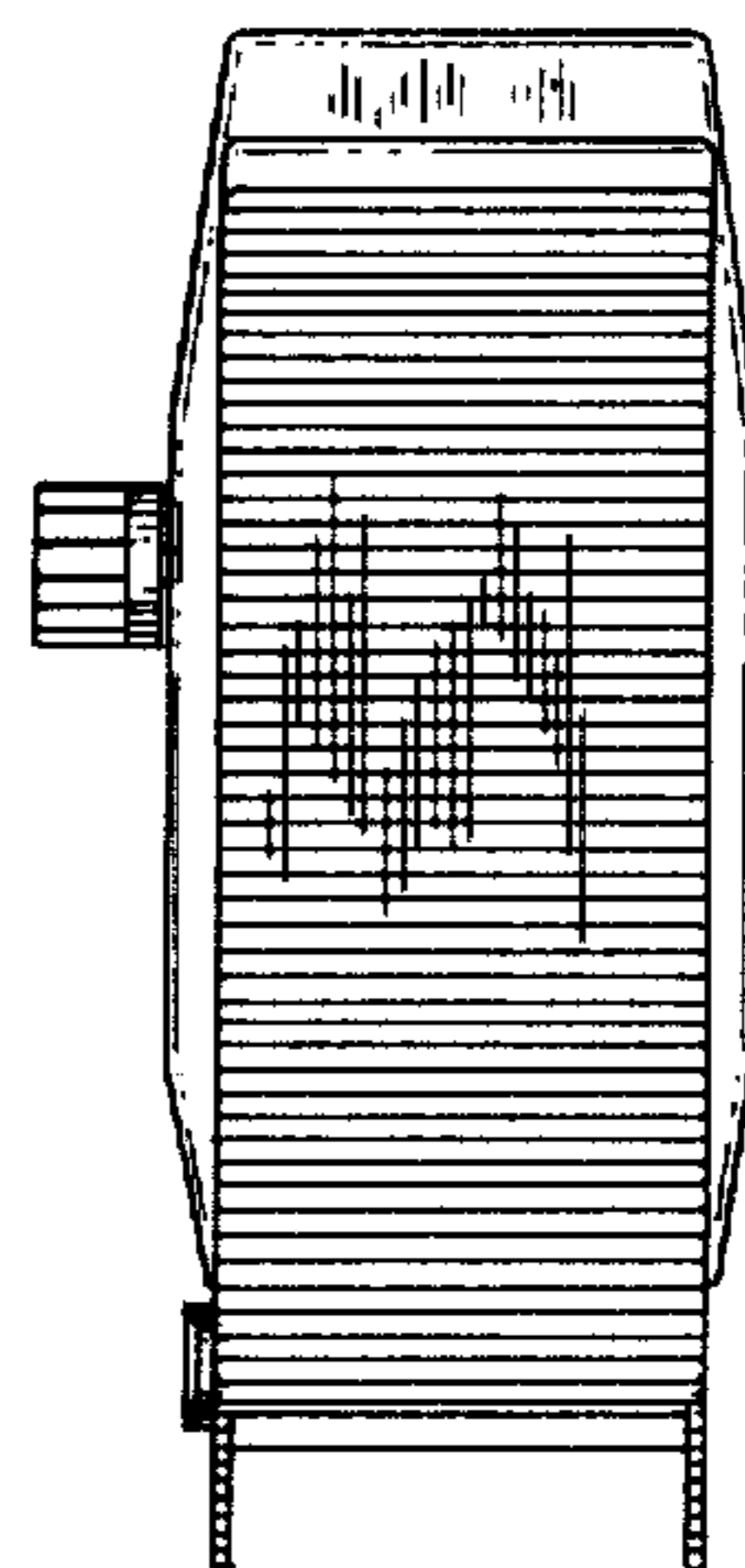


FIG 6

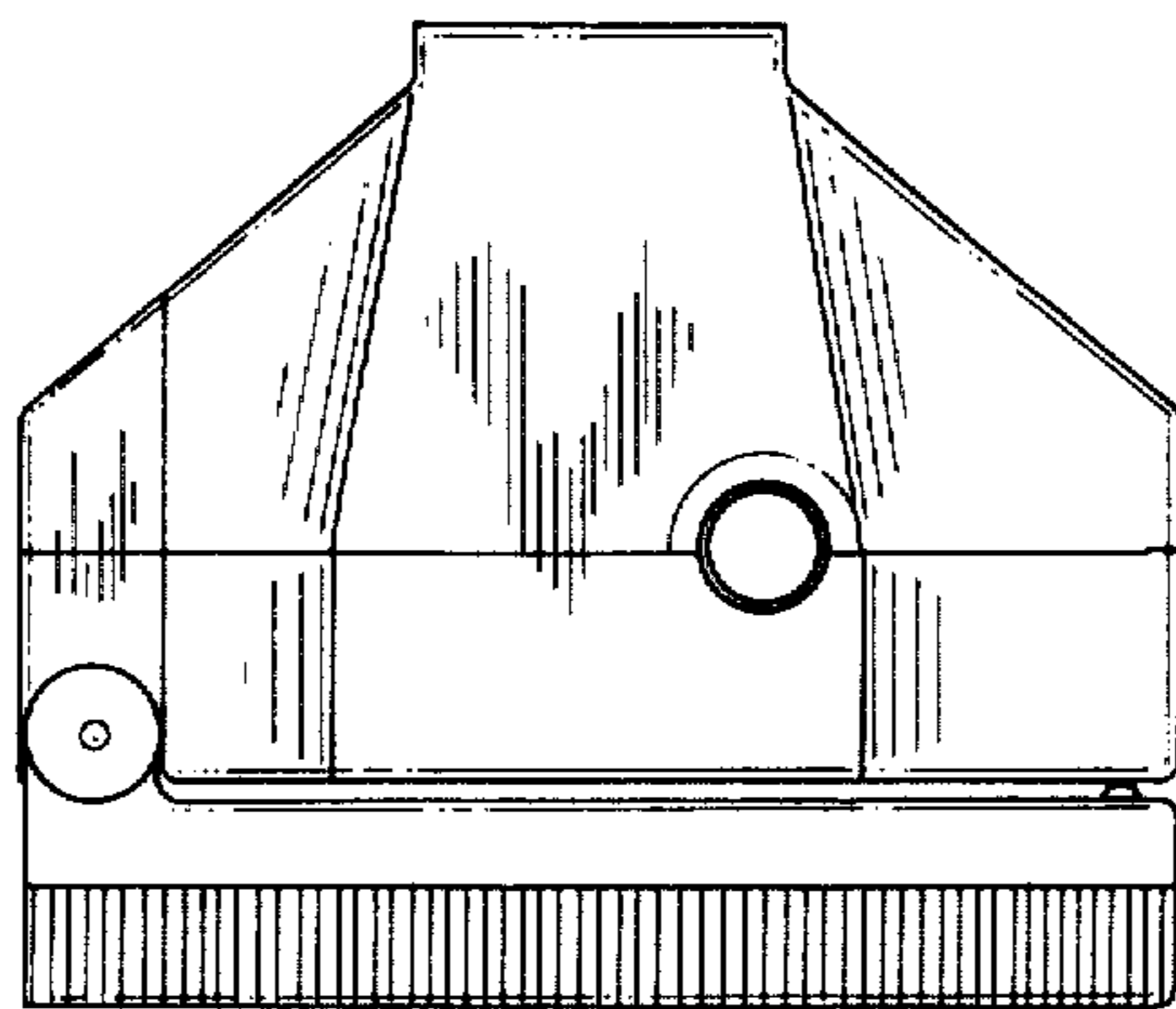


FIG 7