

[54] BULK DISPENSER OR SIMILAR ARTICLE

[56]

References Cited

[76] Inventor: Michael M. Lyons, 1237 Morning Glory Dr., Concord, Calif. 94521

U.S. PATENT DOCUMENTS

D. 88,622	12/1932	Bordman	D9/336
548,531	10/1895	Fishero	222/181 X
1,537,410	5/1925	Courtney	222/185
2,951,610	9/1960	Smalley, Jr.	D7/17 X

[**] Term: 14 Years

Primary Examiner—Leland A. Sebastian
Attorney, Agent, or Firm—Harry A. Pacini

[21] Appl. No.: 72,567

[57]

CLAIM

[22] Filed: Sep. 4, 1979

The ornamental design for a bulk dispenser or similar article, substantially as shown.

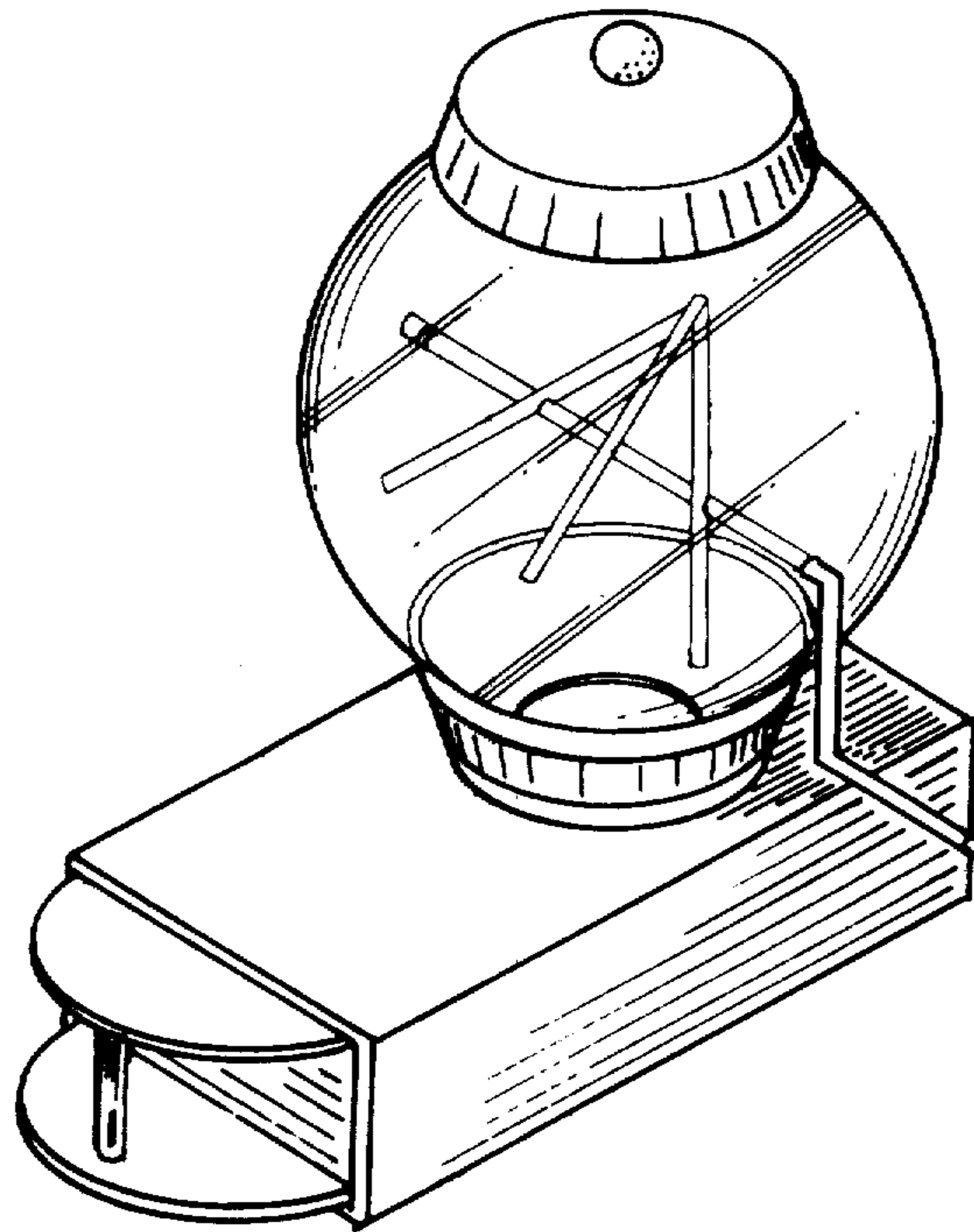
[51] Int. Cl. D15-99

[52] U.S. Cl. D15/111; D7/52

[58] Field of Search D7/16, 17, 39, 40, 52, D7/54, 59, 76, 131; D9/336, 349, 351, 355, 359-365, 435, 447, 449, 454; D15/92, 111, 119, 120; D16/27; 141/321; 206/536; 222/106, 142.1-145, 173, 181, 185, 226, 227, 229, 238, 244, 355, 456, 480, 559

DESCRIPTION

FIG. 1 is a perspective view of a bulk dispenser or similar article showing my new design;
FIG. 2 is a top plan view thereof;
FIG. 3 is a left side elevational view thereof; and
FIG. 4 is a front elevational view thereof.



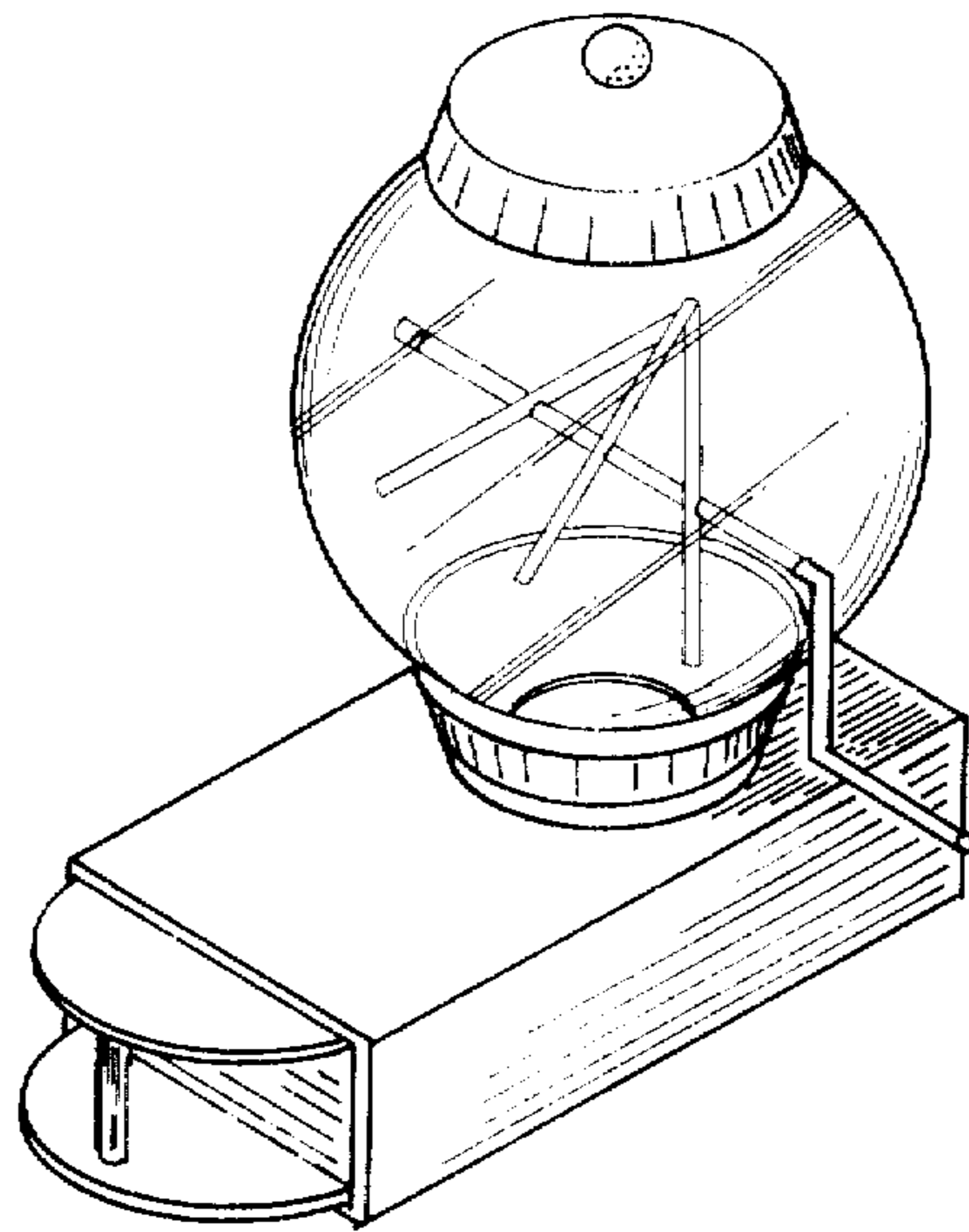


FIG. 1

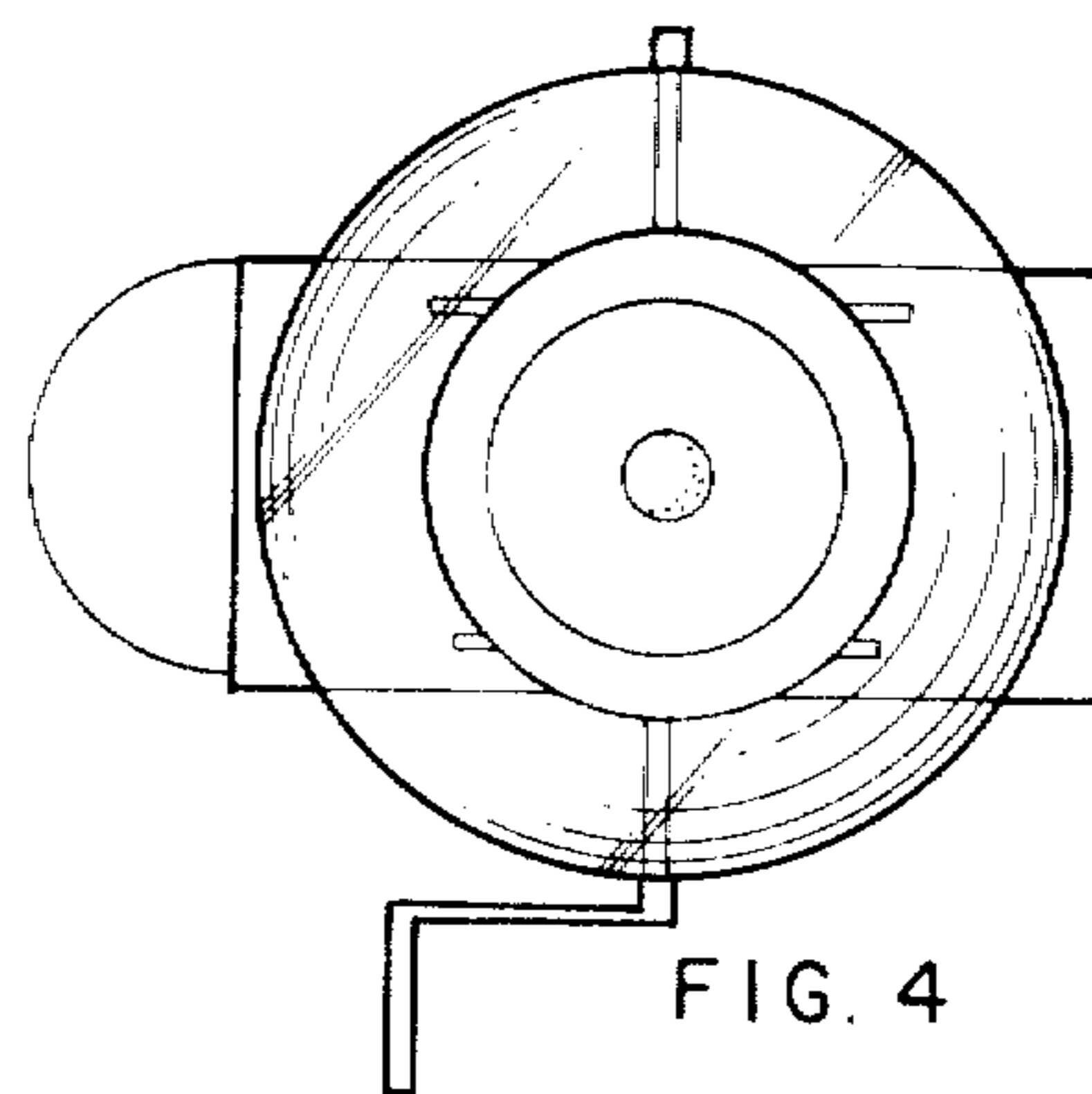


FIG. 2

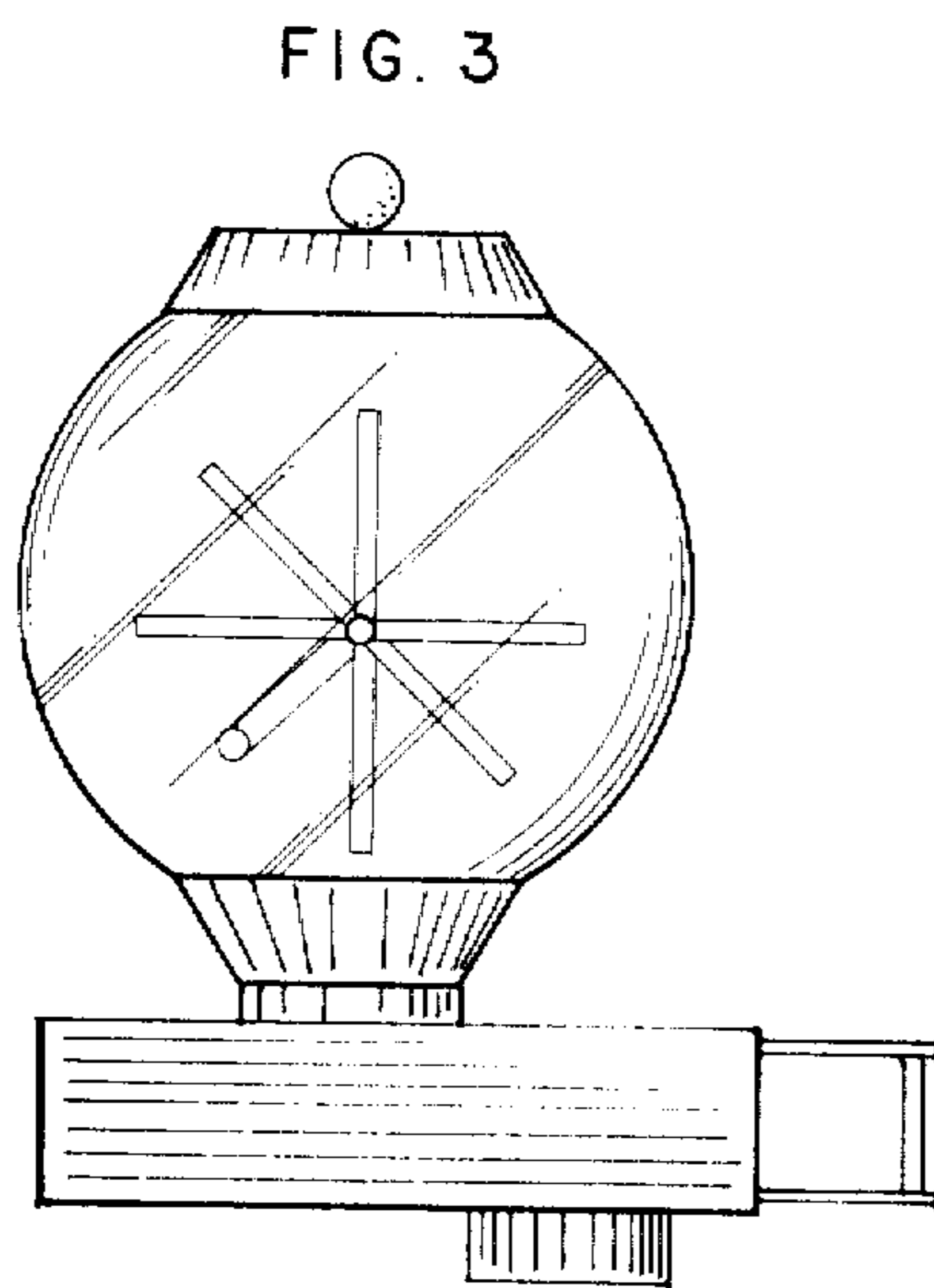


FIG. 3

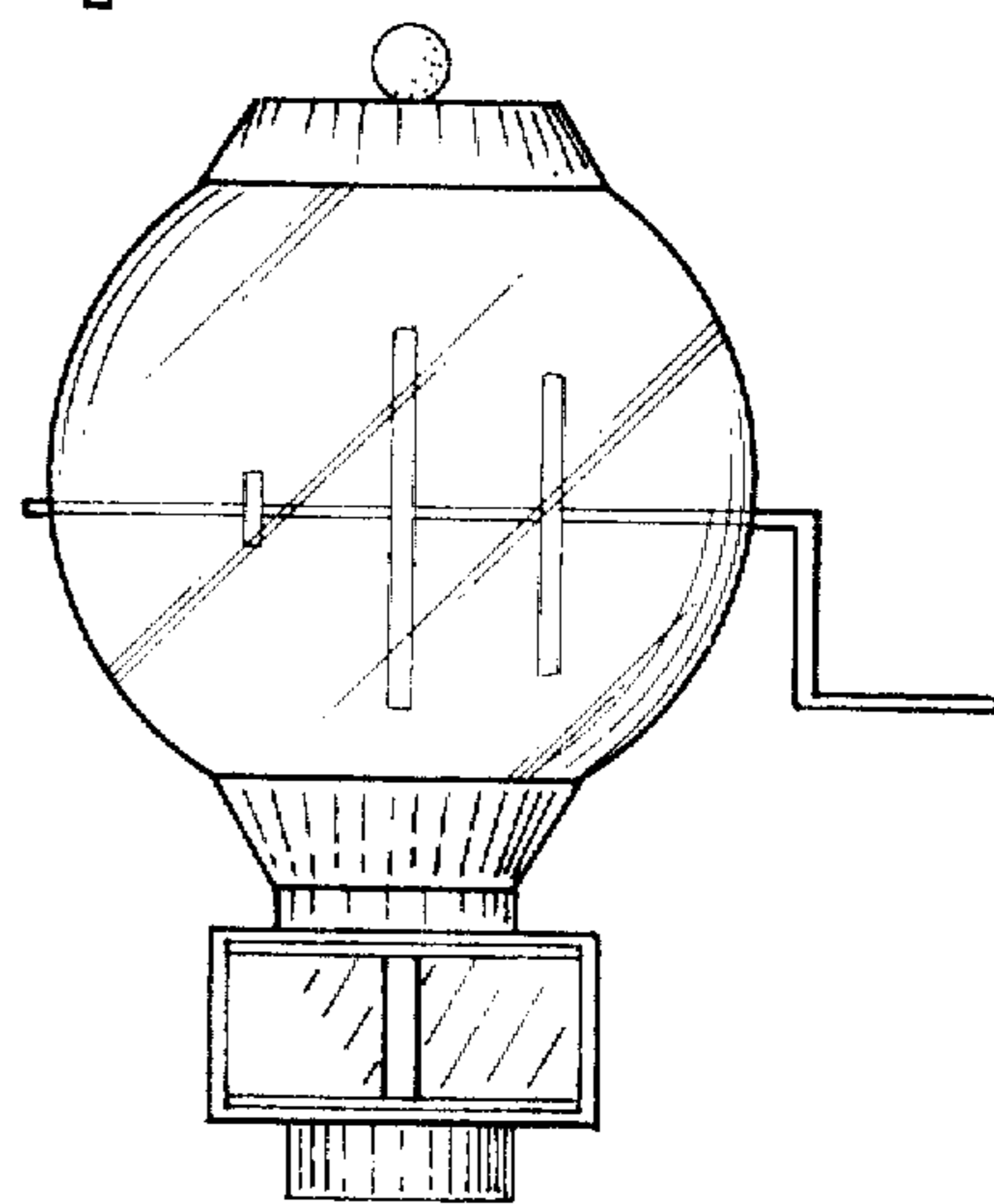


FIG. 4