

[54] BULK DISPENSER OR SIMILAR ARTICLE

[56]

References Cited

U.S. PATENT DOCUMENTS

[76] Inventor: Michael M. Lyons, 1237 Morning Glory Dr., Concord, Calif. 94521

| | | | | |
|------------|---------|---------|-------|-----------|
| D. 59,846 | 11/1921 | Ingram | | D9/349 |
| D. 88,622 | 12/1932 | Bordman | | D9/336 |
| D. 230,811 | 3/1974 | Gordon | | D7/17 |
| 548,531 | 10/1895 | Fishero | | 222/181 X |

[**] Term: 14 Years

Primary Examiner—Leland A. Sebastian
Attorney, Agent, or Firm—Harry A. Pacini

[21] Appl. No.: 72,457

[57] CLAIM

[22] Filed: Sep. 4, 1979

The ornamental design for a bulk dispenser or similar article, substantially as shown.

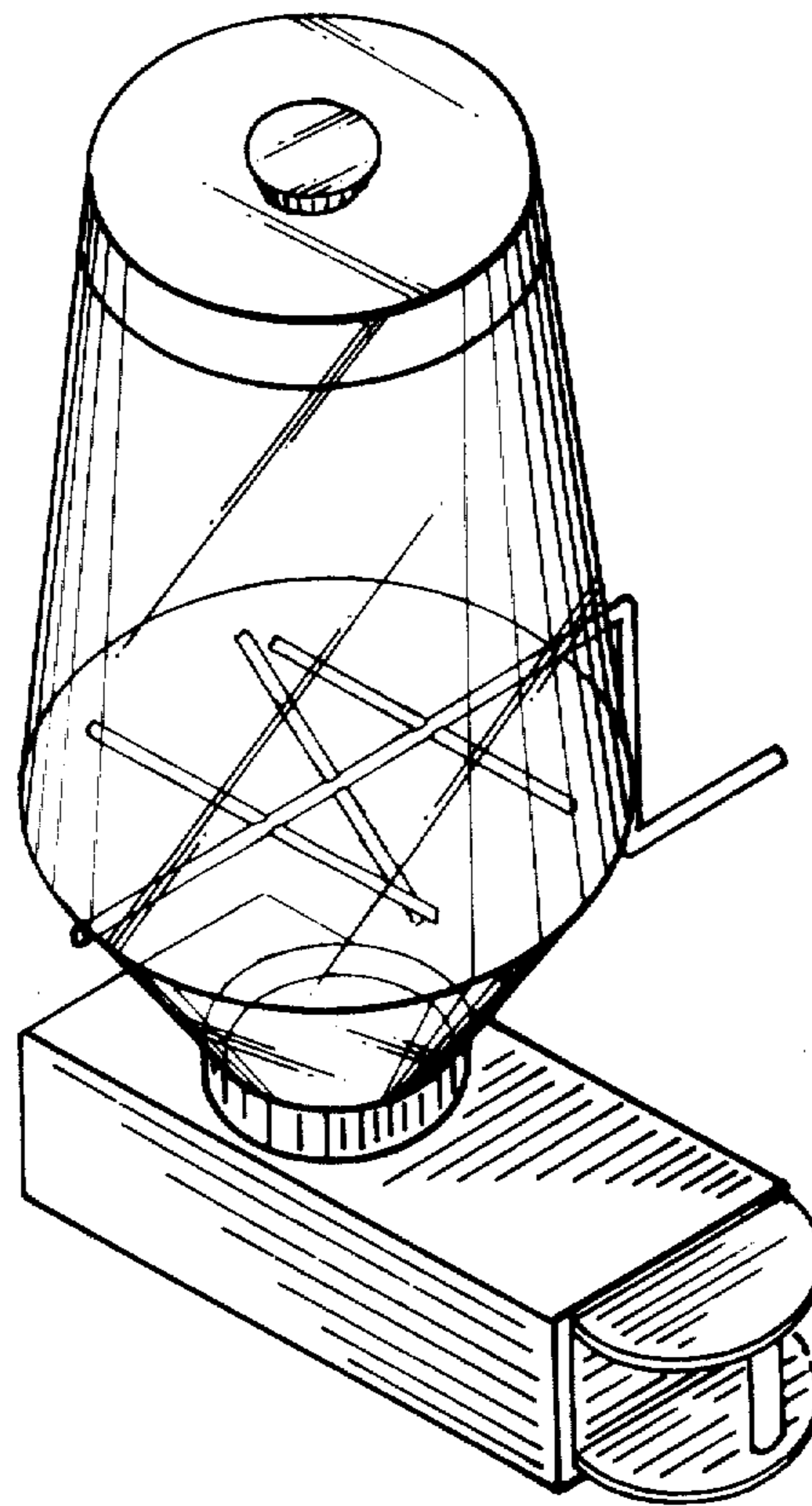
[51] Int. Cl. D15—99

DESCRIPTION

[52] U.S. Cl. D15/111; D7/52

FIG. 1 is a perspective view of a bulk dispenser or similar article showing my new design;
FIG. 2 is a top plan view thereof;
FIG. 3 is a rear elevational view thereof;
FIG. 4 is a left side elevational view thereof; and
FIG. 5 is a front elevational view thereof.

[58] Field of Search D7/16, 17, 39, 40, 52, D7/54, 59, 76, 131; D9/336, 359-365, 435, 447, 454; D15/92, 111, 119, 120; D16/27; 141/321; 206/536; 222/106, 142.1-145, 173, 181, 185, 226, 227, 229, 238, 244, 355, 456, 480, 559



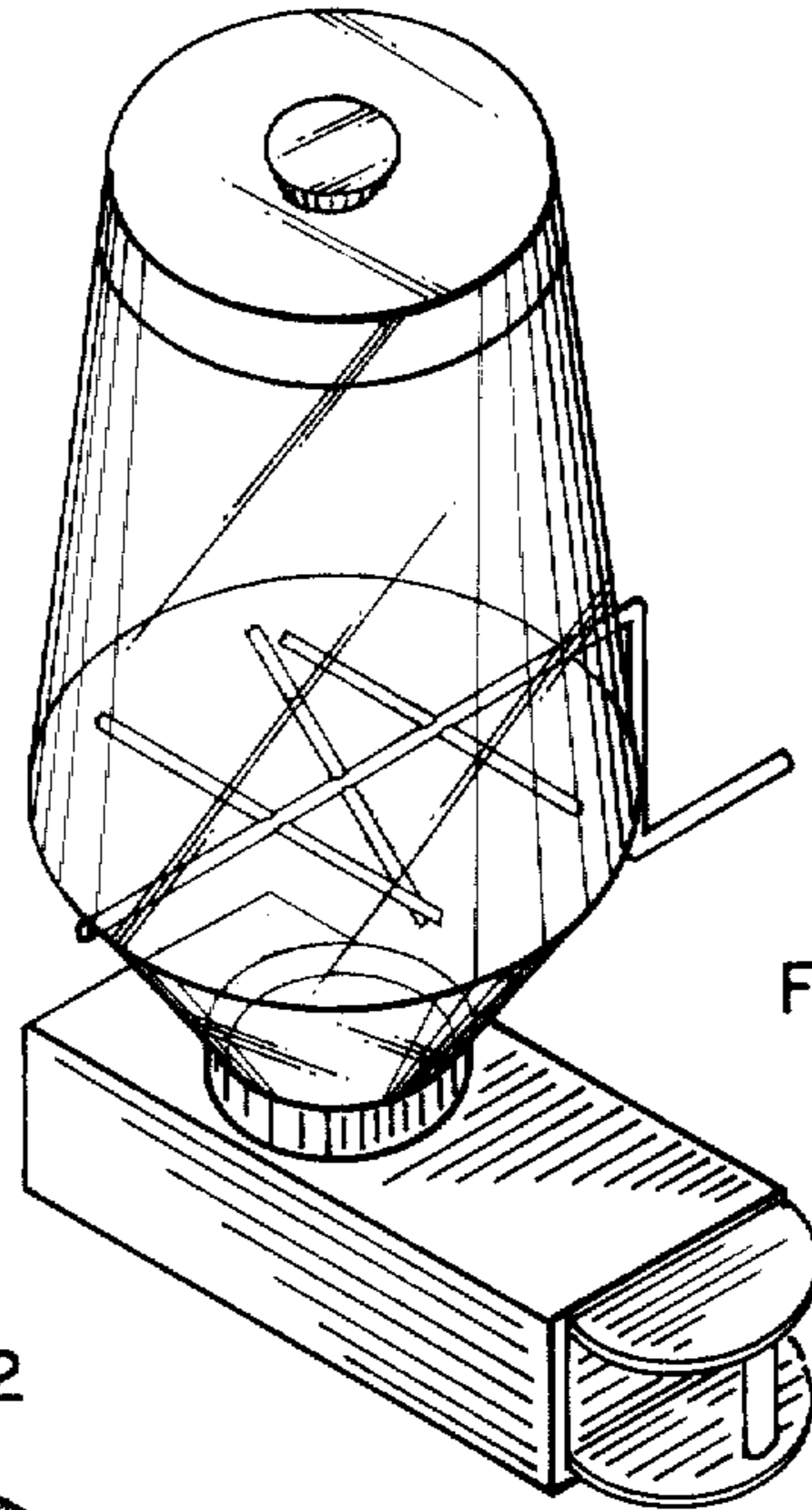


FIG. 1

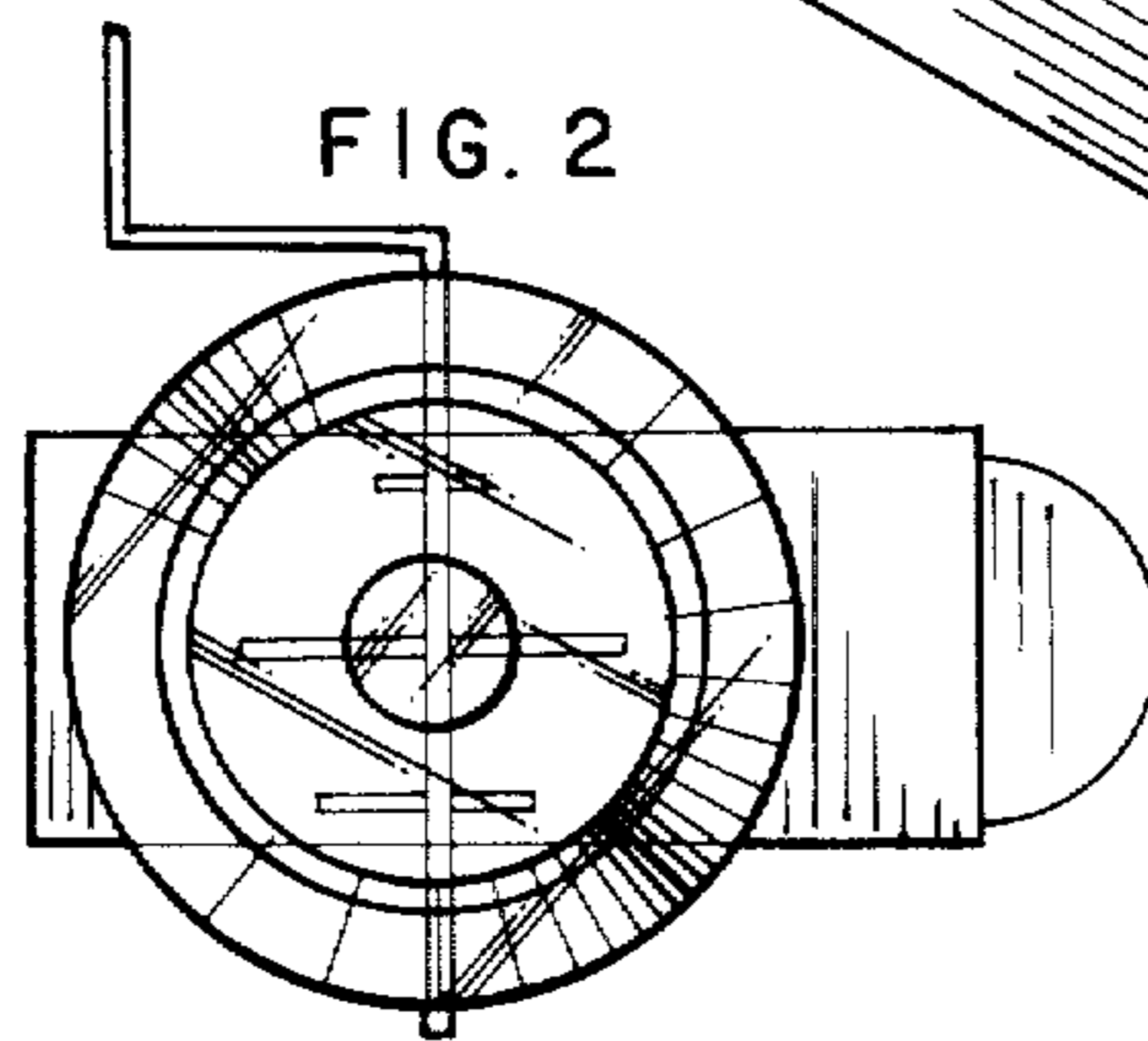


FIG. 2

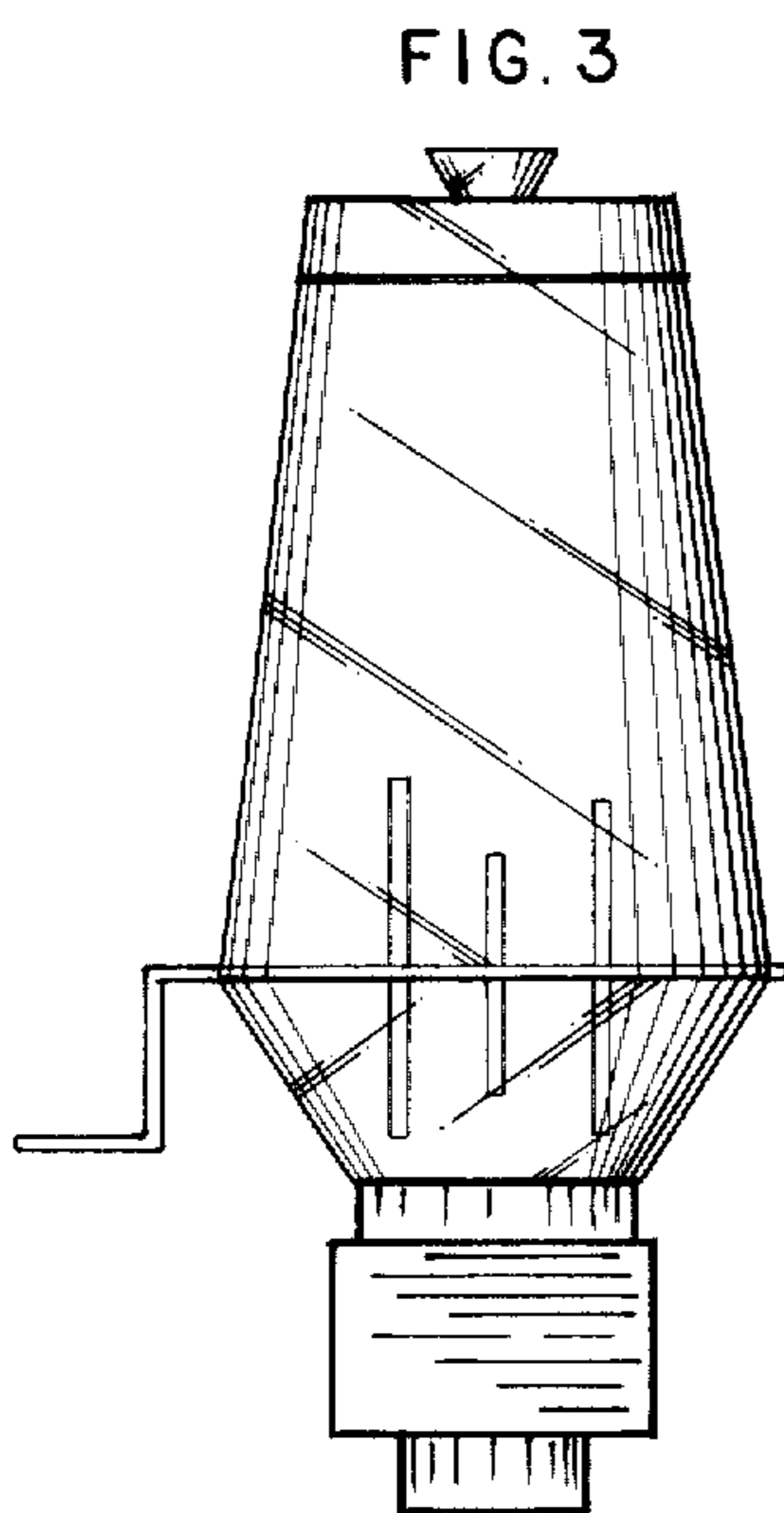


FIG. 3

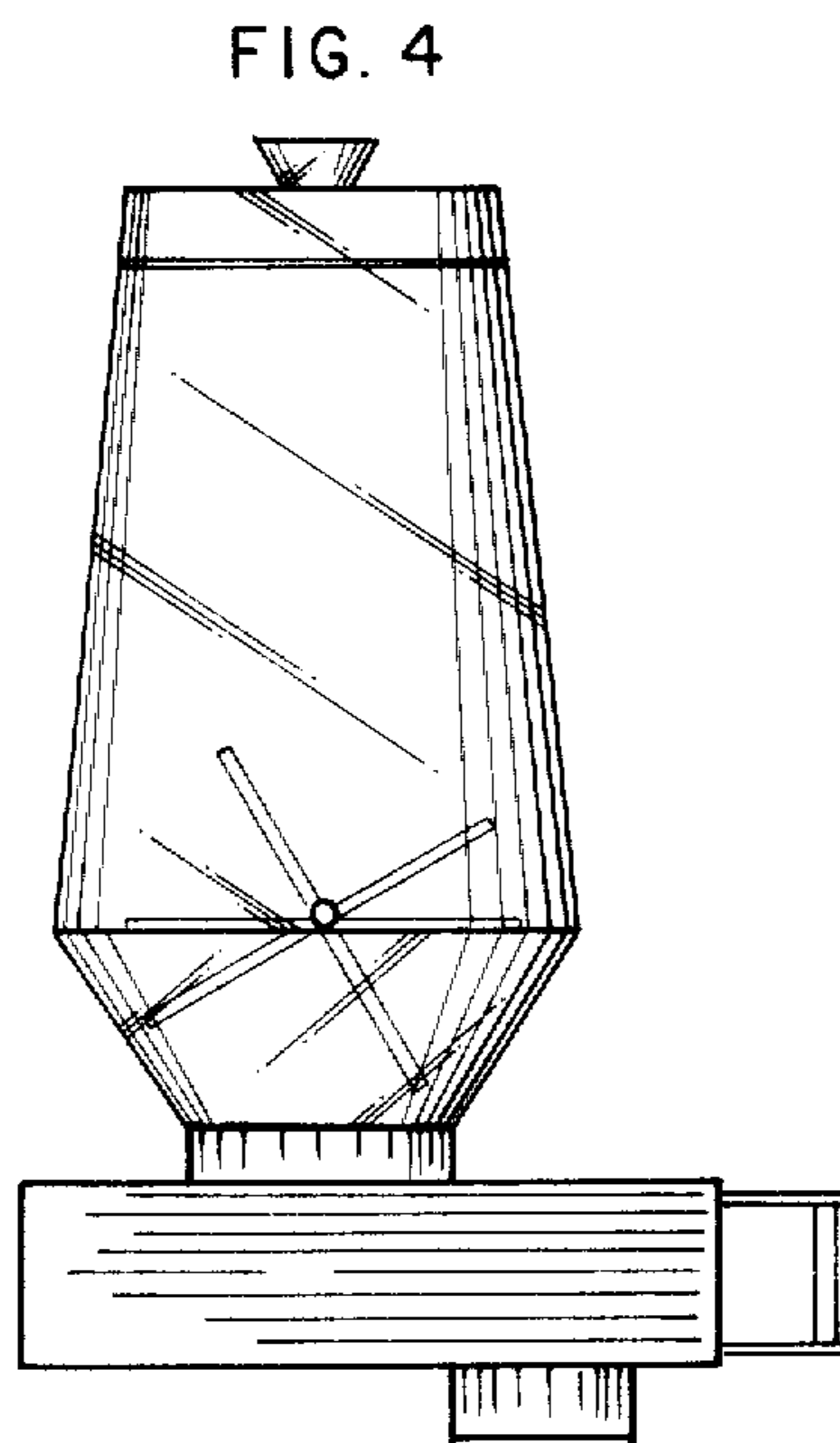


FIG. 4

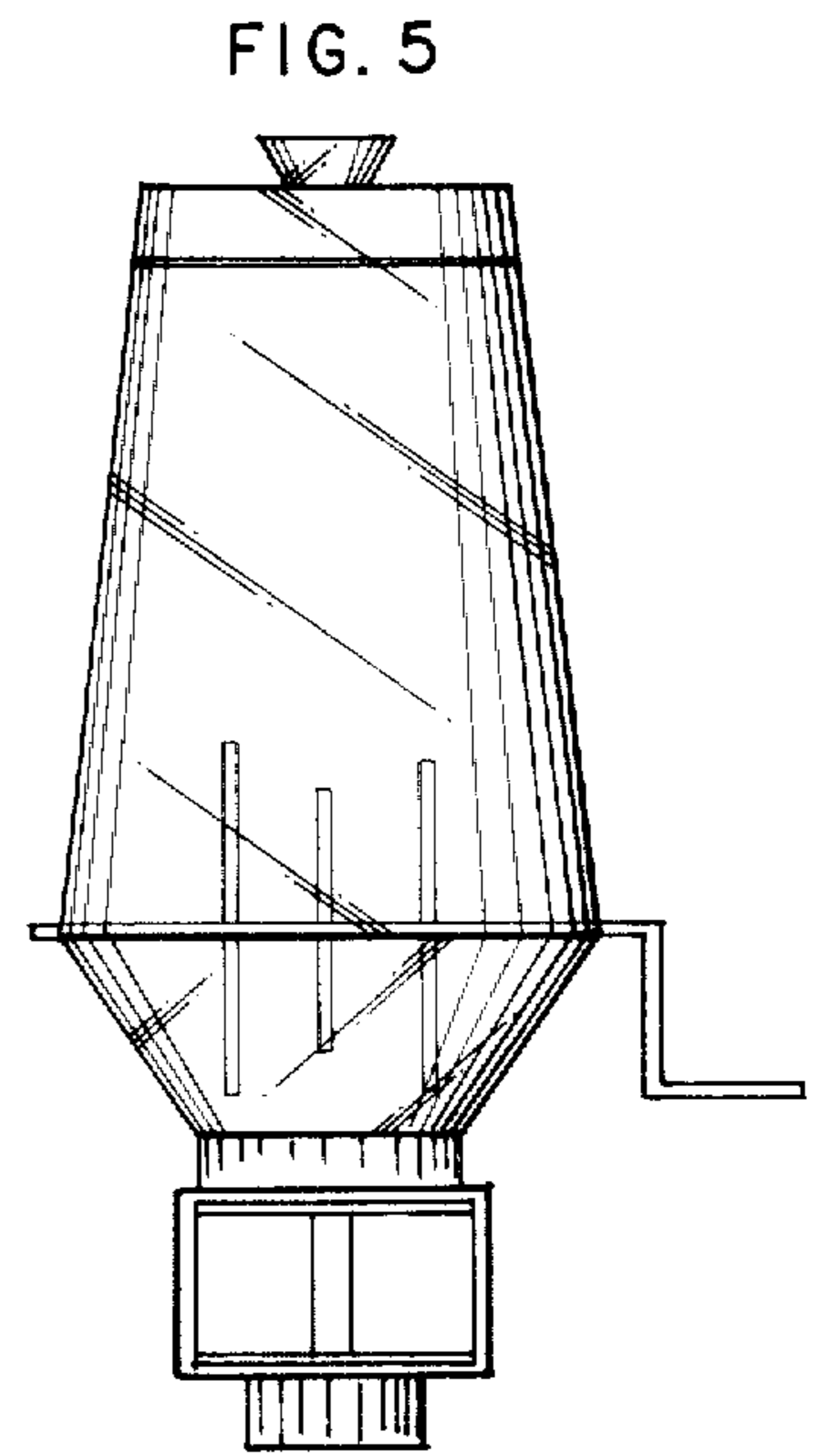


FIG. 5