

[54] BULK DISPENSER OR SIMILAR ARTICLE

[56] References Cited

[76] Inventor: Michael M. Lyons, 1237 Morning Glory Dr., Concord, Calif. 94521

U.S. PATENT DOCUMENTS

- D. 88,622 12/1932 Bordman ..... D9/336
- D. 248,277 6/1978 Hartman et al. .... D16/27
- 548,531 10/1895 Fishero ..... 222/181
- 2,951,610 9/1960 Smalley, Jr. .... D7/17 X

[\*\*] Term: 14 Years

Primary Examiner—Leland A. Sebastian  
Attorney, Agent, or Firm—Harry A. Pacini

[21] Appl. No.: 72,456

[57] CLAIM

[22] Filed: Sep. 4, 1979

The ornamental design for a bulk dispenser or similar article, substantially as shown.

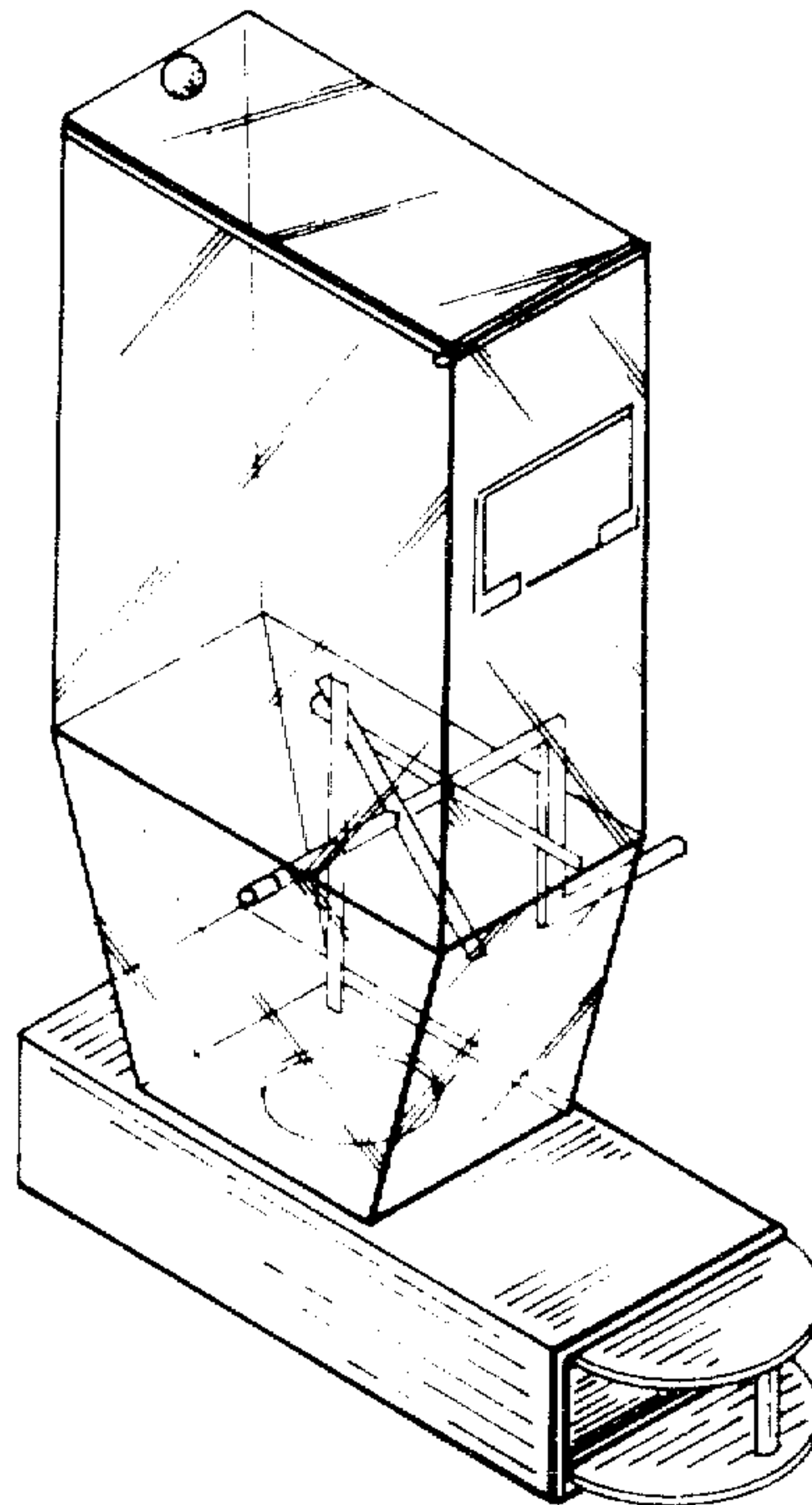
[51] Int. Cl. .... D15—99

DESCRIPTION

[52] U.S. Cl. .... D15/111; D7/52

FIG. 1 is a perspective view of a bulk dispenser or similar article showing my new design;  
FIG. 2 is a top plan view thereof;  
FIG. 3 is a rear elevational view thereof;  
FIG. 4 is a left side elevational view thereof; and  
FIG. 5 is a front elevational view thereof.

[58] Field of Search ..... D7/16, 17, 39, 40, 52, D7/54, 59, 76, 131; D9/336, 359-365, 435, 447, 454; D15/92, 111, 119, 120; D16/27; 141/321; 206/536; 222/106, 142.1-145, 173, 181, 185, 226, 227, 229, 238, 244, 355, 456, 480, 559



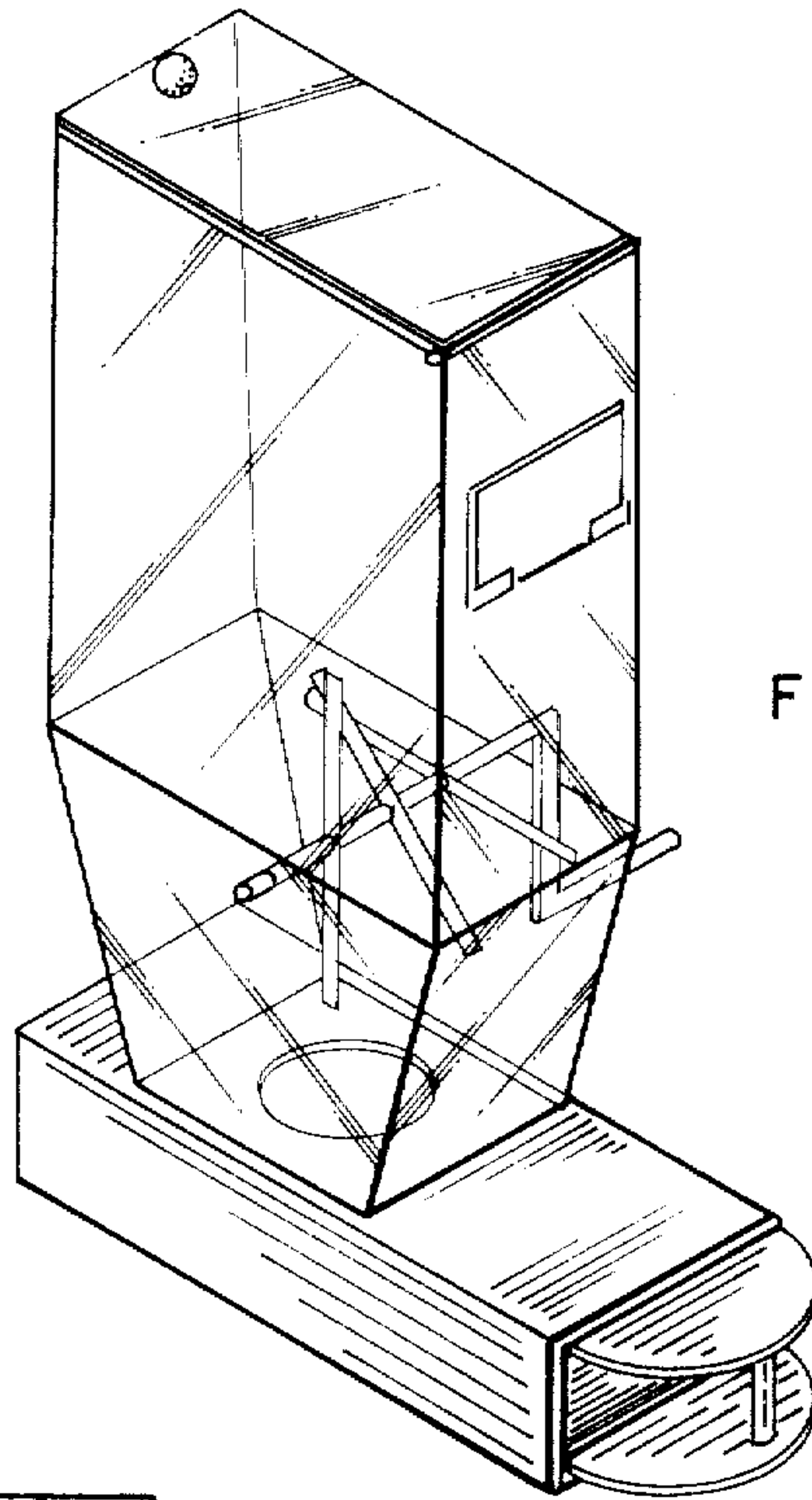


FIG. 1

FIG. 2

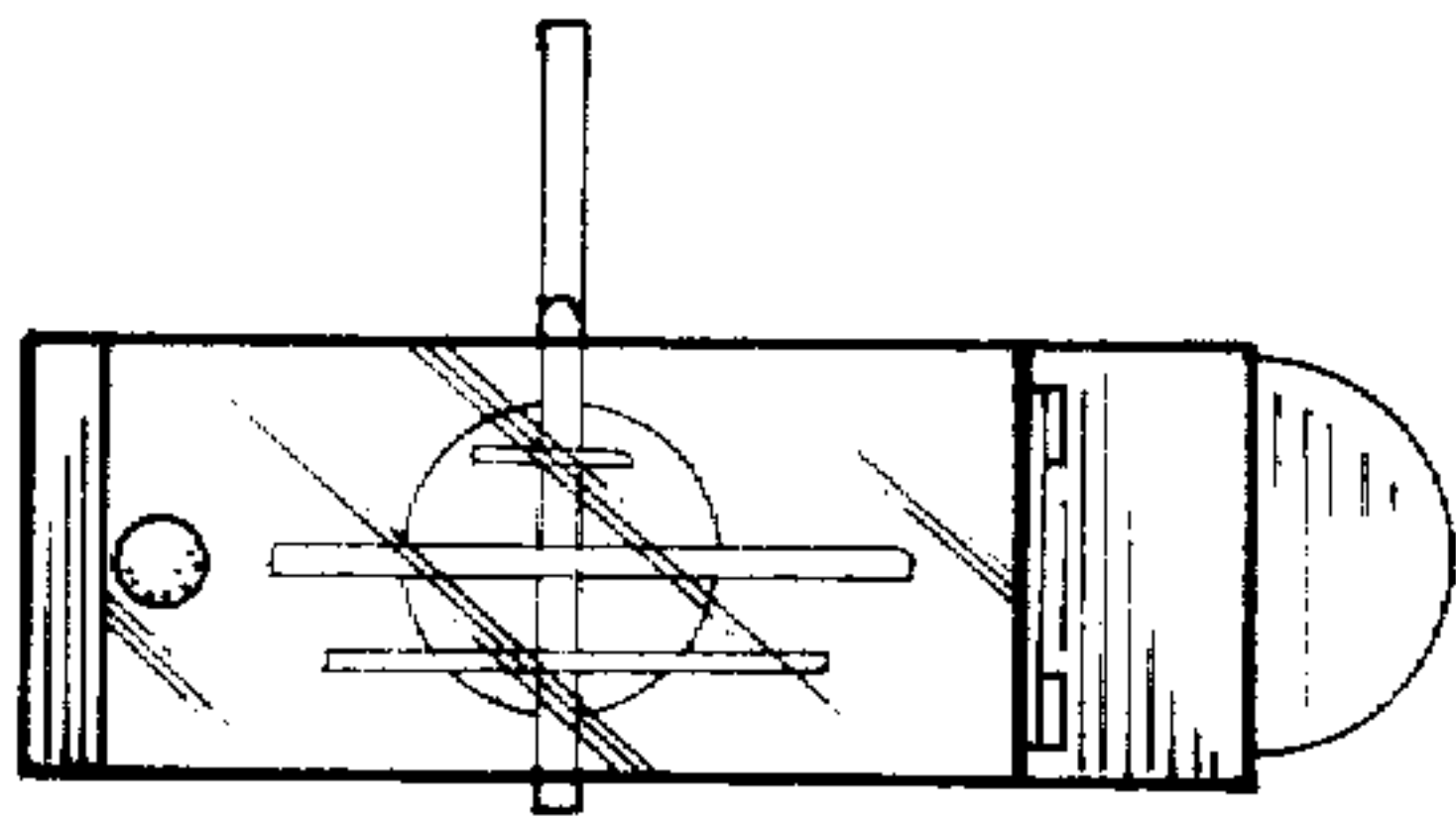


FIG. 3

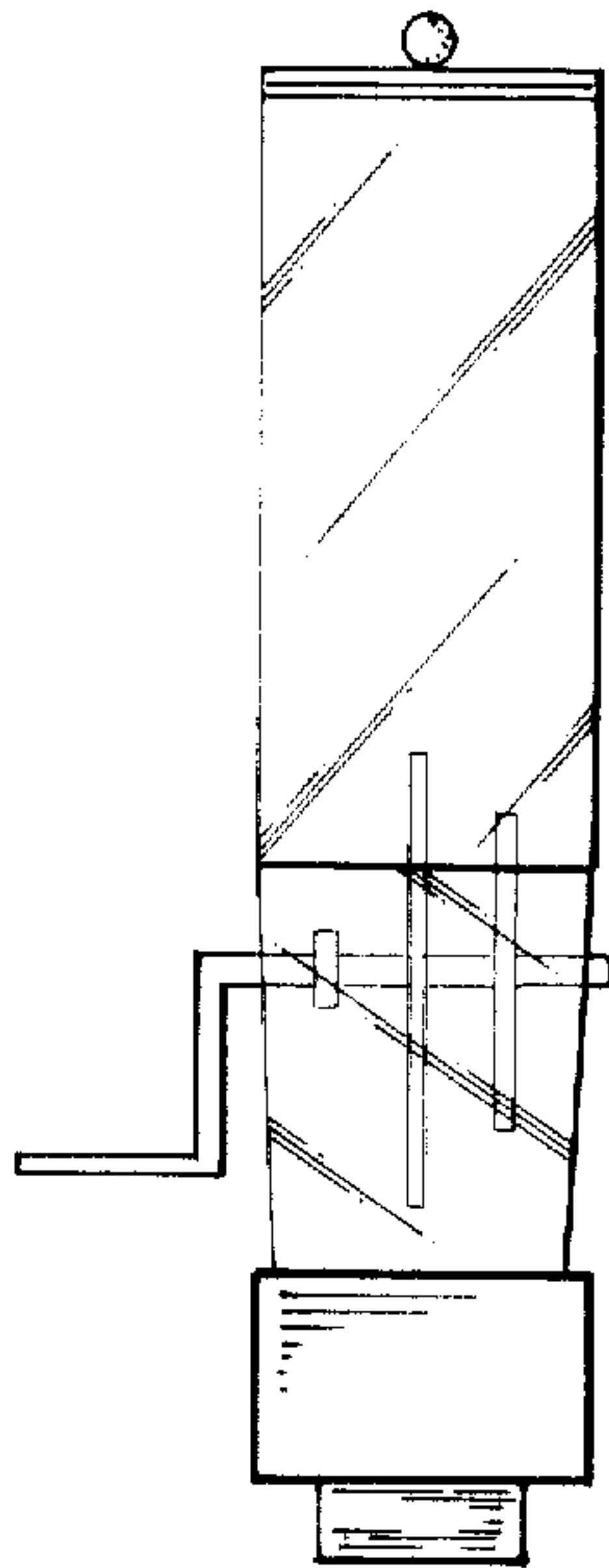


FIG. 4

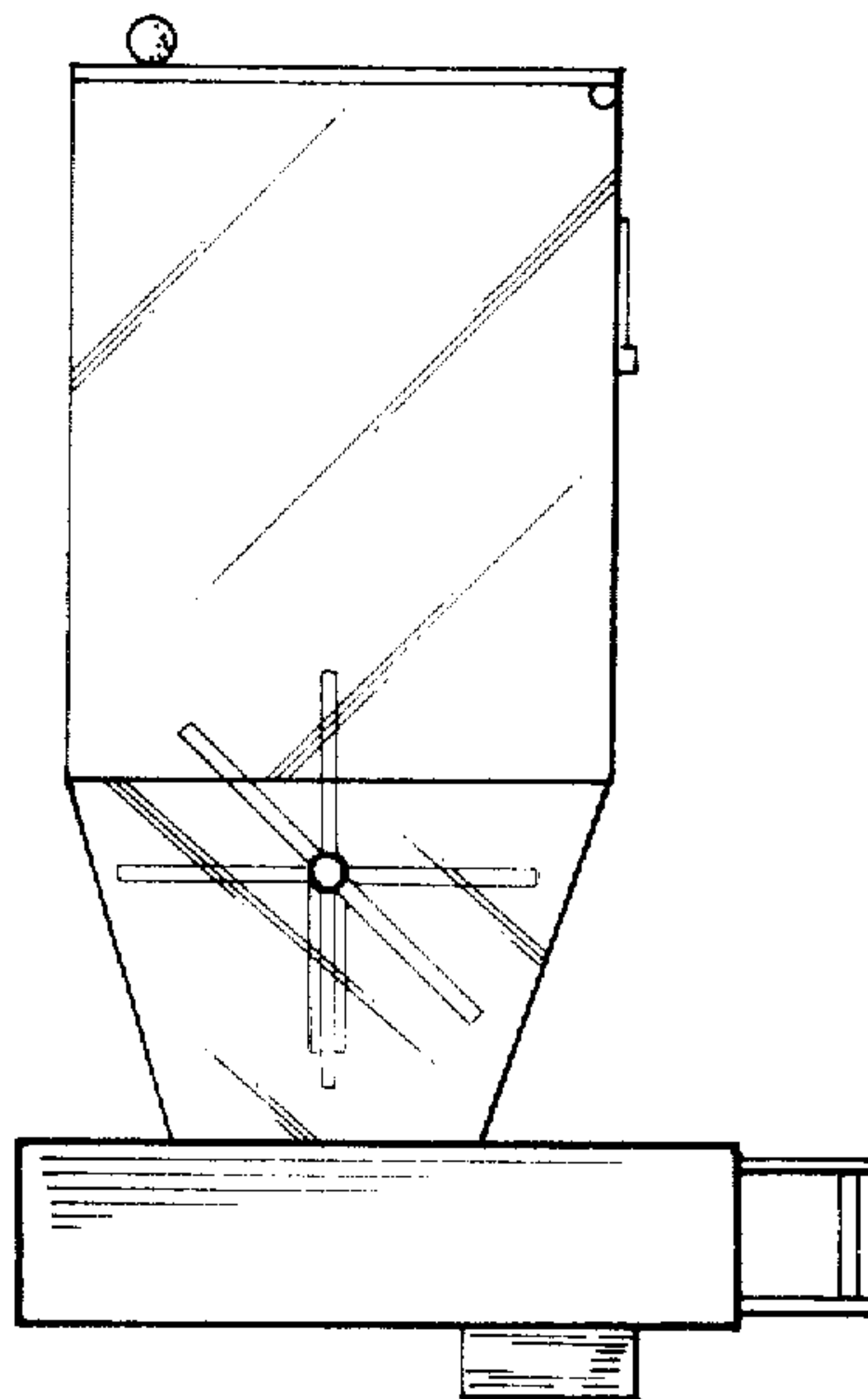


FIG. 5

