

[54] THERMOELECTRIC JUG COOLER

[75] Inventors: **Kingstone L. H. Reed, Barrie; Peter S. Wardell, Newmarket, both of Canada**

[73] Assignee: **Koolatron Industries, Ltd., Barrie, Canada**

[\*\*] Term: **14 Years**

[21] Appl. No.: **134,171**

[22] Filed: **Mar. 26, 1980**

3,243,965	4/1966	Jepson	62/3
3,250,433	5/1966	Christine et al.	62/3
3,283,520	11/1966	Donohue et al.	62/3
3,310,953	3/1967	Rait	62/3
3,314,242	4/1967	Lefferts	62/3
3,351,233	11/1967	Chanoch et al.	62/3
3,480,015	11/1969	Gonzalez	62/3
3,712,072	1/1973	Hoge et al.	62/3
3,713,302	1/1973	Reviel	62/3
3,733,836	5/1973	Corini	62/3
3,808,825	5/1974	Ciurea	62/3
4,274,262	6/1981	Reed et al.	62/3

[51] Int. Cl. .... **D15-07**

[52] U.S. Cl. .... **D15/79; D7/77**

[58] Field of Search ..... **D15/79, 89; D7/77;**  
62/3

Primary Examiner—T. Tung  
Attorney, Agent, or Firm—Cahill, Sutton & Thomas

[57] **CLAIM**

The ornamental design for a thermoelectric jug cooler, as shown and described.

[56] **References Cited**

**U.S. PATENT DOCUMENTS**

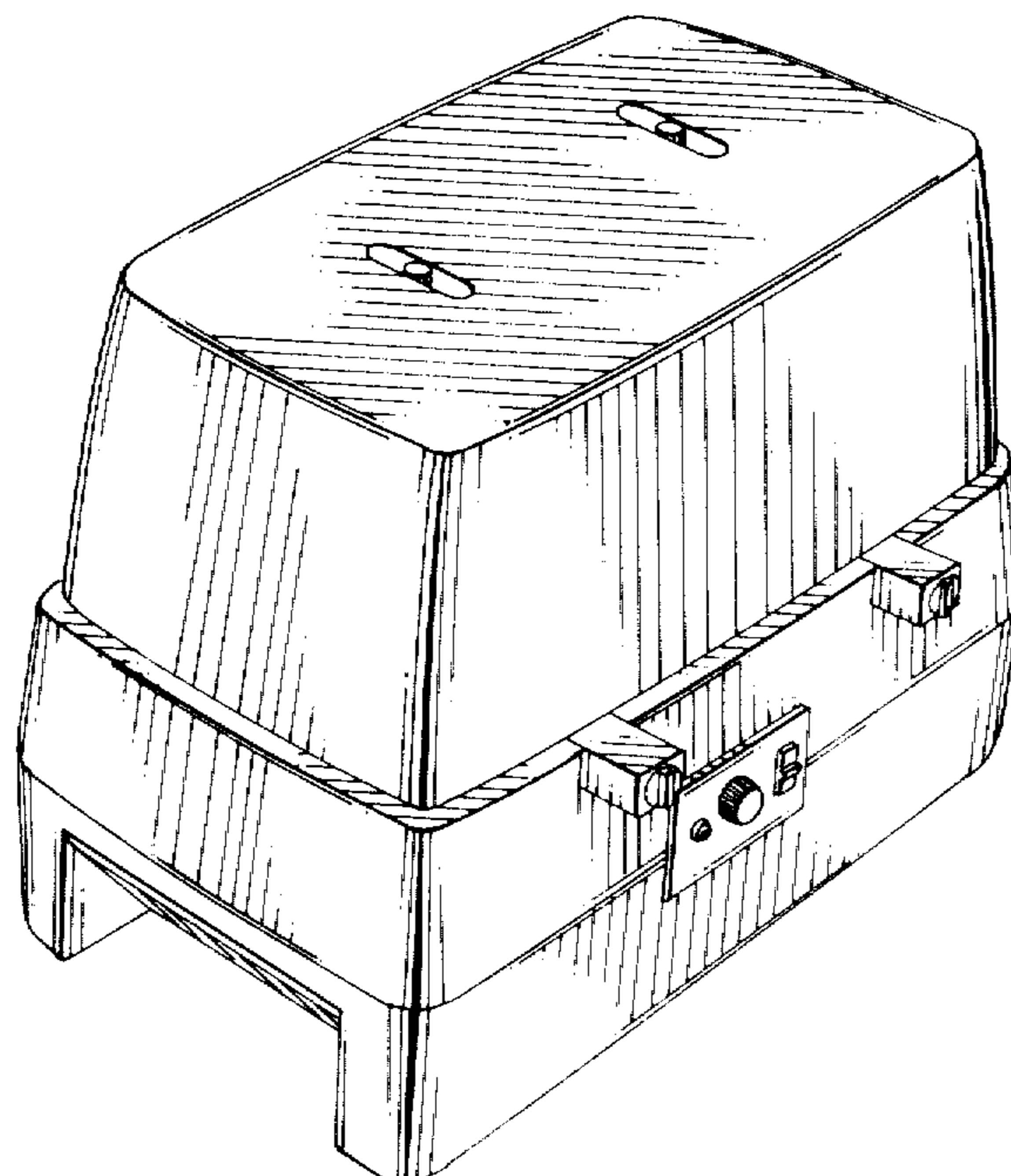
D. 205,969	10/1966	Barr et al.	D15/89
D. 239,429	4/1976	Billingsley	D7/77
D. 259,232	5/1981	Tarozzi	D7/77
2,991,628	7/1961	Tuck	62/3
3,149,471	9/1964	Boehmer et al.	62/3
3,168,816	2/1965	Petrie	62/3

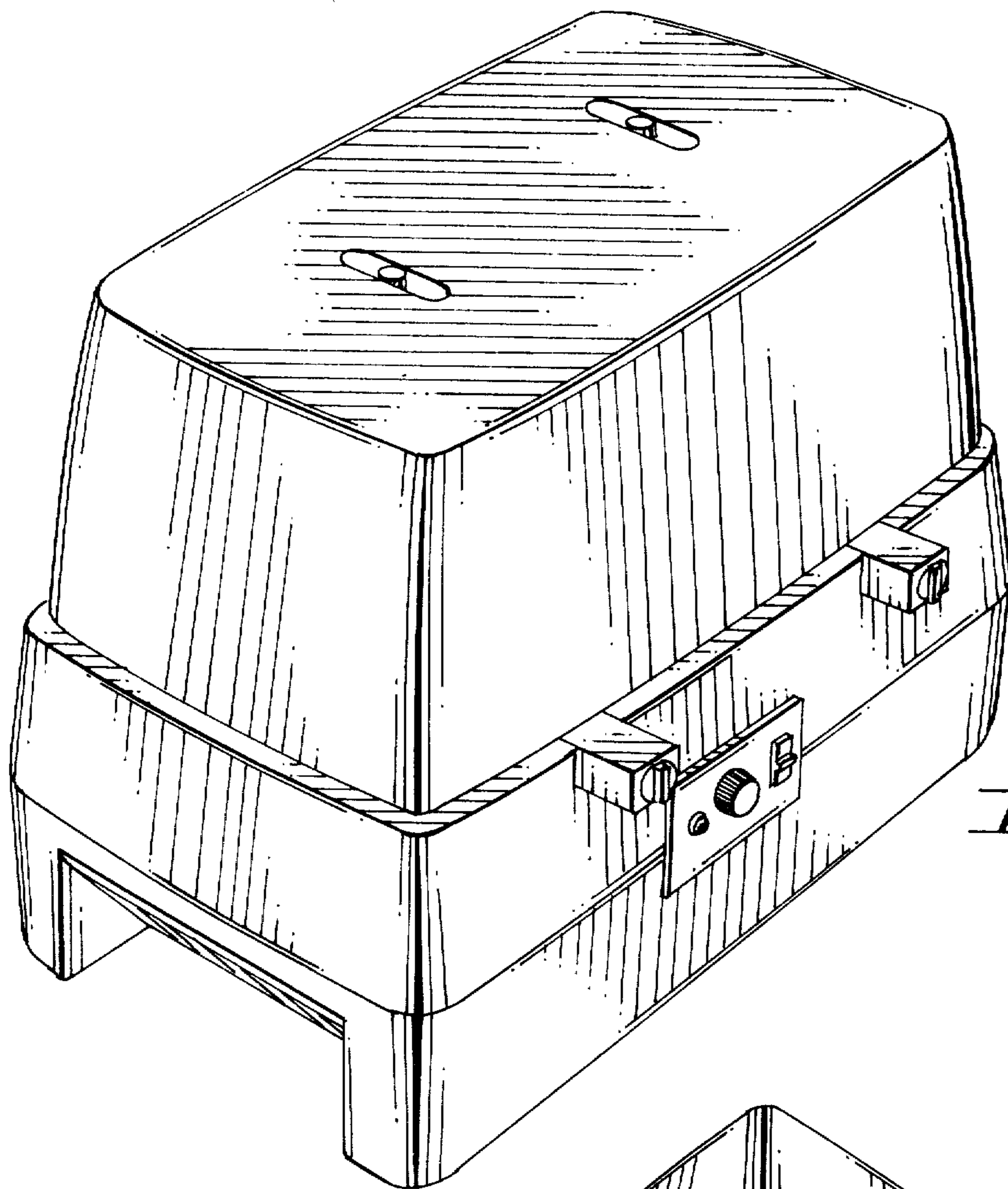
**DESCRIPTION**

FIG. 1 is a perspective view of a thermoelectric jug cooler, showing the top, front and left-hand side thereof;

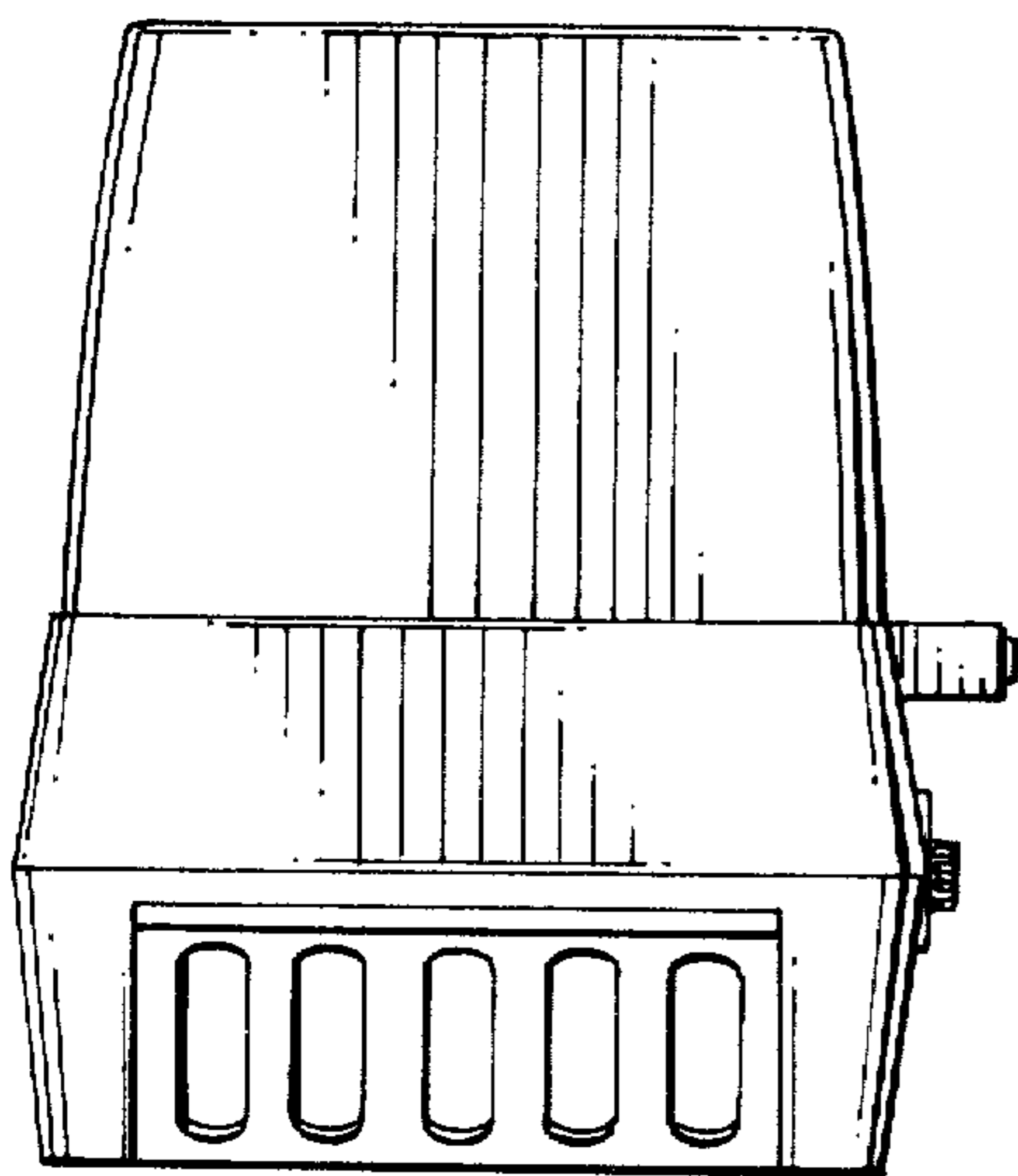
FIG. 2 is a perspective view of the invention showing the back, bottom, and right-hand side thereof; and

FIG. 3 is an elevational view of the left end of the invention.

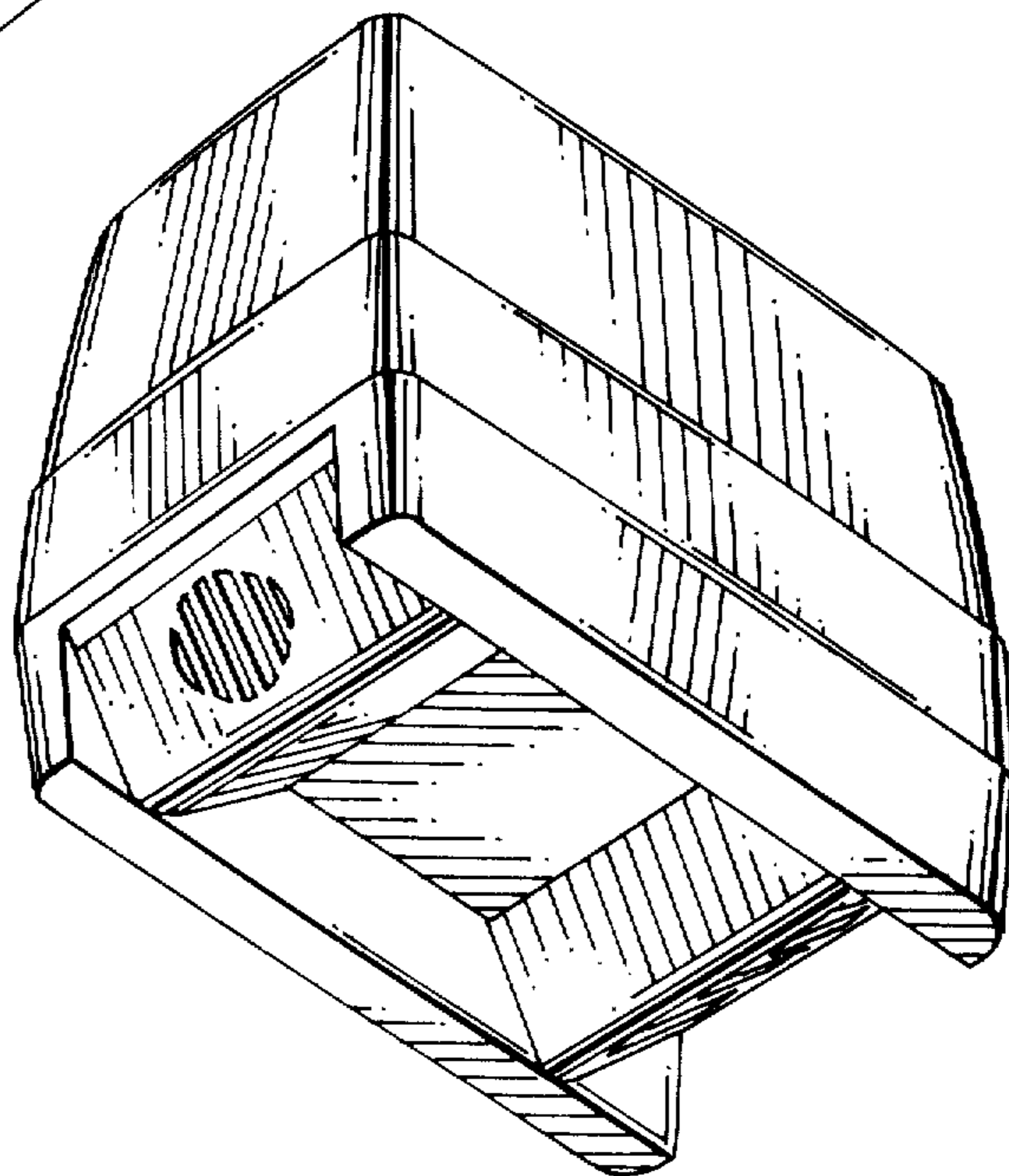




*FIG. 1*



*FIG. 3*



*FIG. 2*