

[54] **WET AND DRY VACUUM CLEANER**
 [76] Inventor: **Paul G. Jacobs**, 9958 Amestoy Ave., Northridge, Calif. 91325
 [**] Term: **14 Years**
 [21] Appl. No.: **131,144**
 [22] Filed: **Mar. 17, 1980**
 [51] Int. Cl. **D15—05**
 [52] U.S. Cl. **D32/21**
 [58] Field of Search **D15/48-65; 15/321.8, 353**

3,821,830 7/1974 Sundheim .
 3,896,520 7/1975 Williams .
 4,019,218 4/1977 Cyphert .
 4,083,705 4/1978 Parise et al. .
 4,138,761 2/1979 Nauta .

FOREIGN PATENT DOCUMENTS

7706194 8/1978 Netherlands .

Primary Examiner—James R. Largen
Attorney, Agent, or Firm—Fulwider, Patton, Rieber, Lee & Utecht

[56] **References Cited**
U.S. PATENT DOCUMENTS

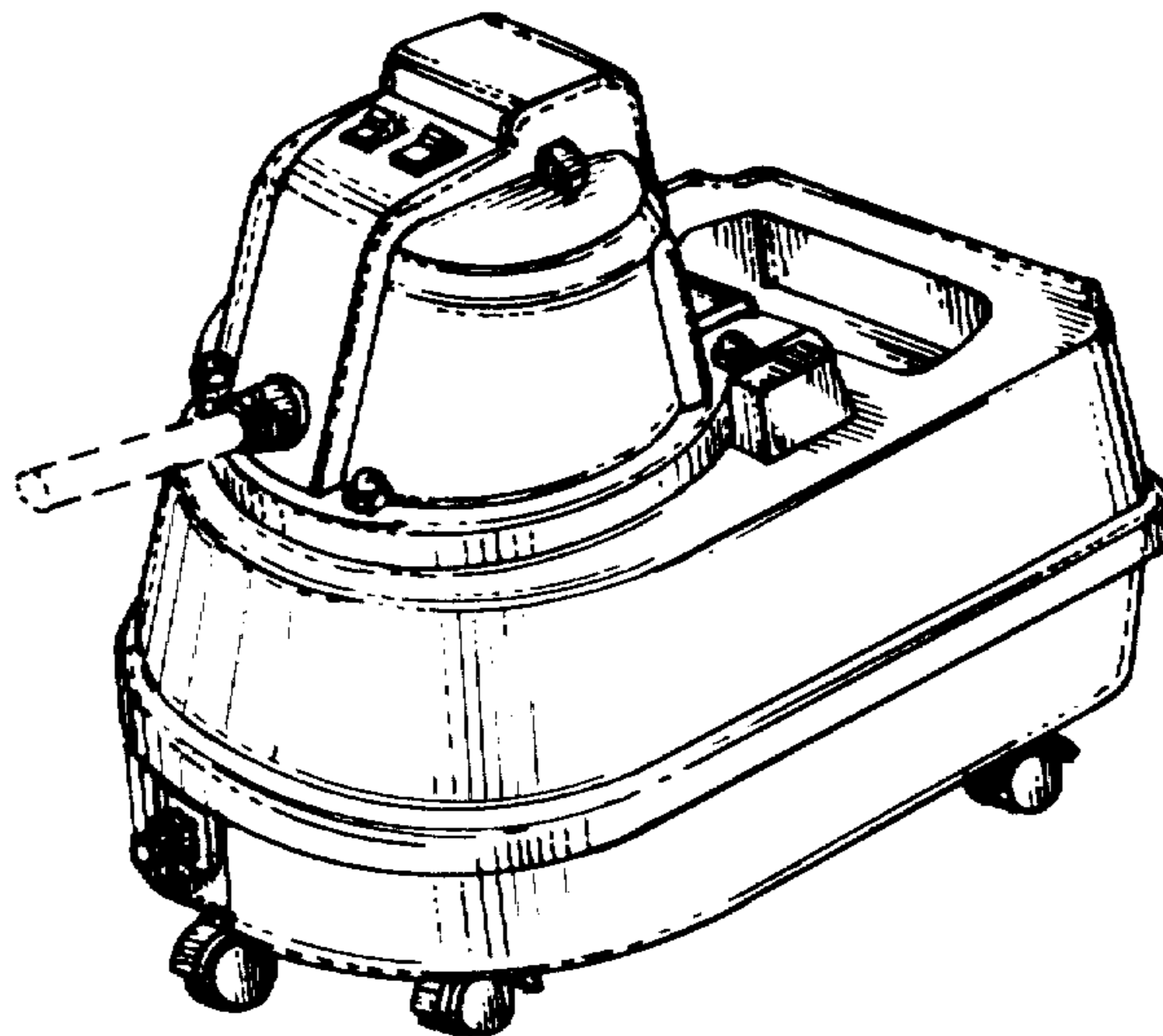
D. 242,210 11/1976 Parise D15/52
 D. 243,311 2/1977 Bartlett D15/52 X
 D. 243,574 3/1977 Bartlett D15/54
 D. 247,671 4/1978 Laule et al. D15/52
 D. 248,656 7/1978 Parise D15/52
 D. 248,657 7/1978 Parise D15/52
 D. 254,788 4/1980 Nauta D15/52
 3,006,020 10/1961 Fillerg .
 3,180,071 4/1965 Nolte .

[57] **CLAIM**

The ornamental design for a wet and dry vacuum cleaner, as shown and described.

DESCRIPTION

FIG. 1 is a perspective view taken from the top, front and right side of a wet and dry vacuum cleaner showing my new design;
 FIG. 2 is a left side elevational view thereof;
 FIG. 3 is a front elevational view thereof; and
 FIG. 4 is a bottom plan view thereof.
 The fragmentary broken line representation of a vacuum hose in FIG. 1 is for purposes of illustration only.



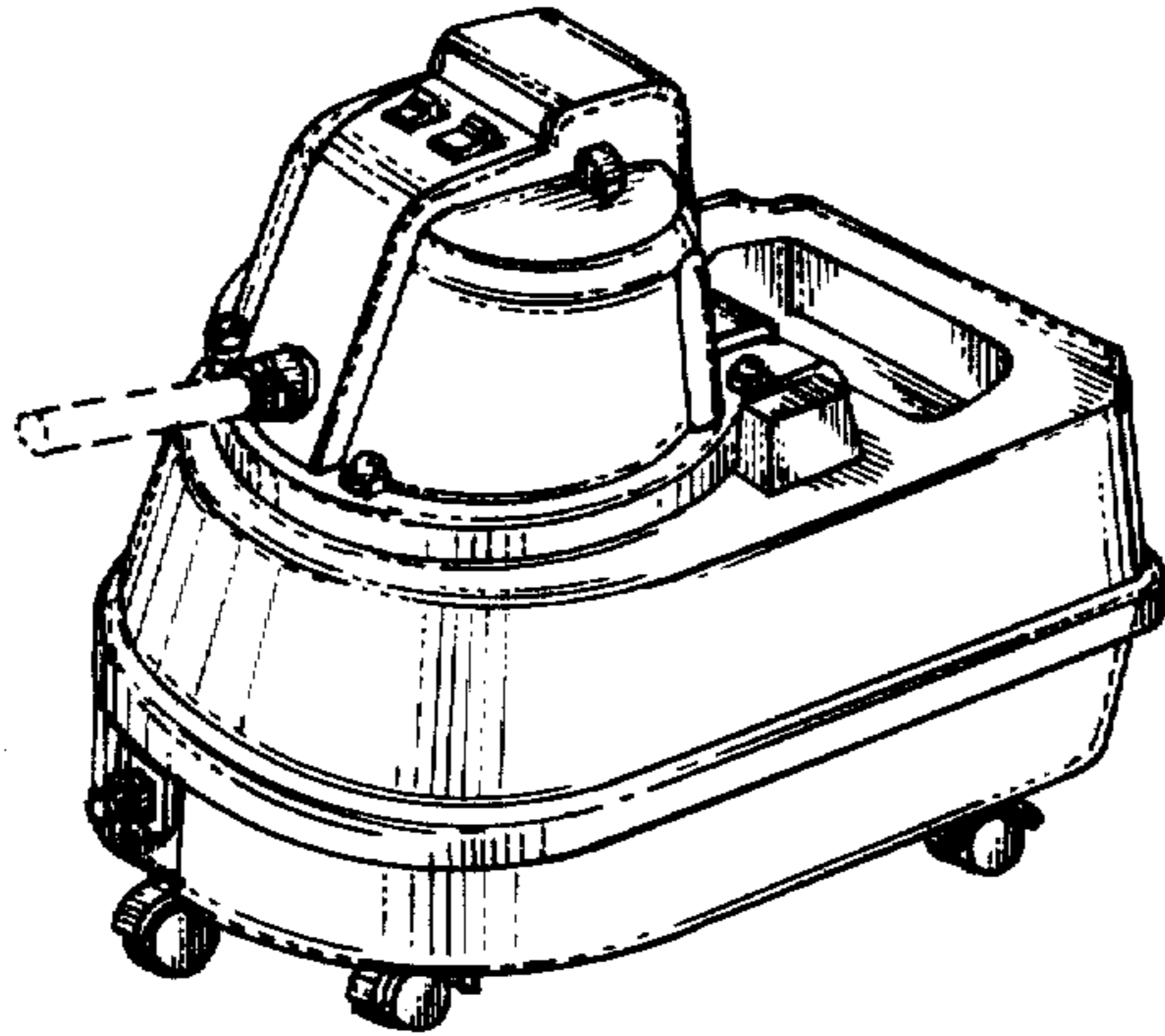


Fig. 1

Fig. 2

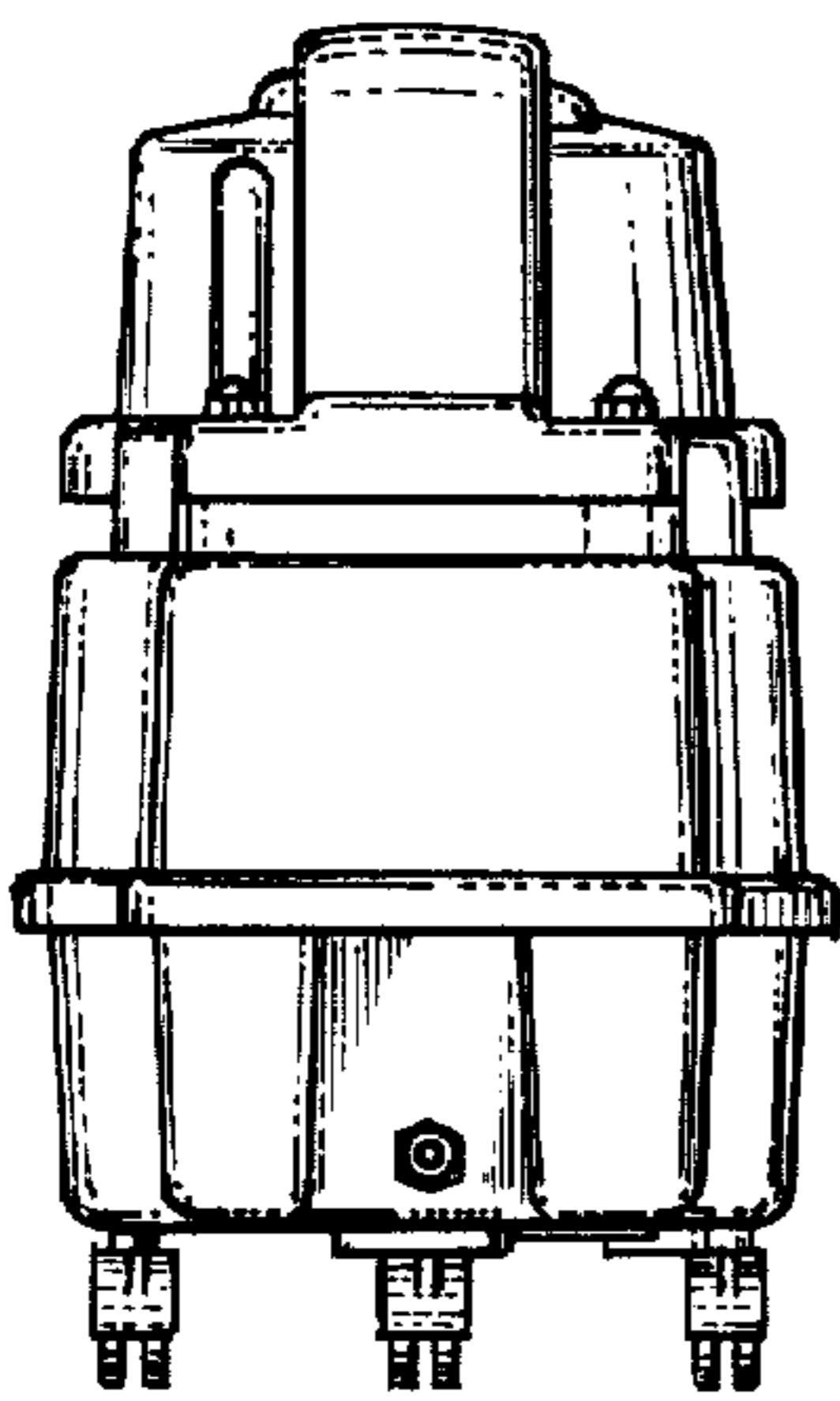


Fig. 3

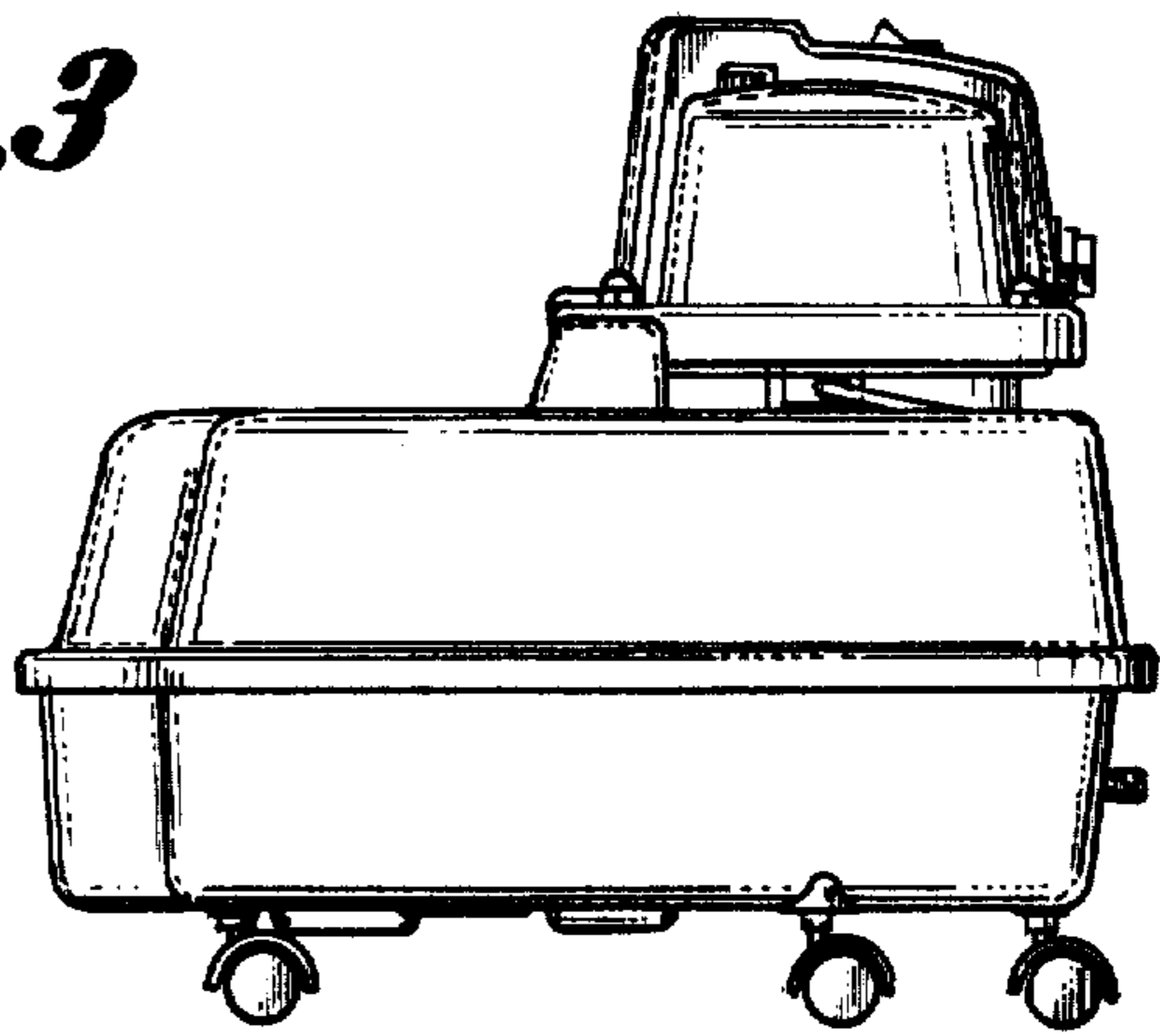


Fig. 4

