

[54] **ARTICULATED BLASTHOLE DRILLING VEHICLE**

[75] Inventor: **G. Richard Thomas**, Fairview, Okla.

[73] Assignee: **Ewbank Mfg. Division, Inc.**, Fairview, Okla.

[\*\*] Term: **14 Years**

[21] Appl. No.: **57,930**

[22] Filed: **Jul. 16, 1979**

[51] Int. Cl. .... **D15-04**

[52] U.S. Cl. .... **D15/21**

[58] Field of Search ..... **D15/21; 175/52, 85; 173/22, 23, 28**

[56] **References Cited**

**U.S. PATENT DOCUMENTS**

3,670,831 6/1972 Winter, Jr. et al. .... 175/52  
3,734,211 5/1973 Haisch et al. .... 173/28

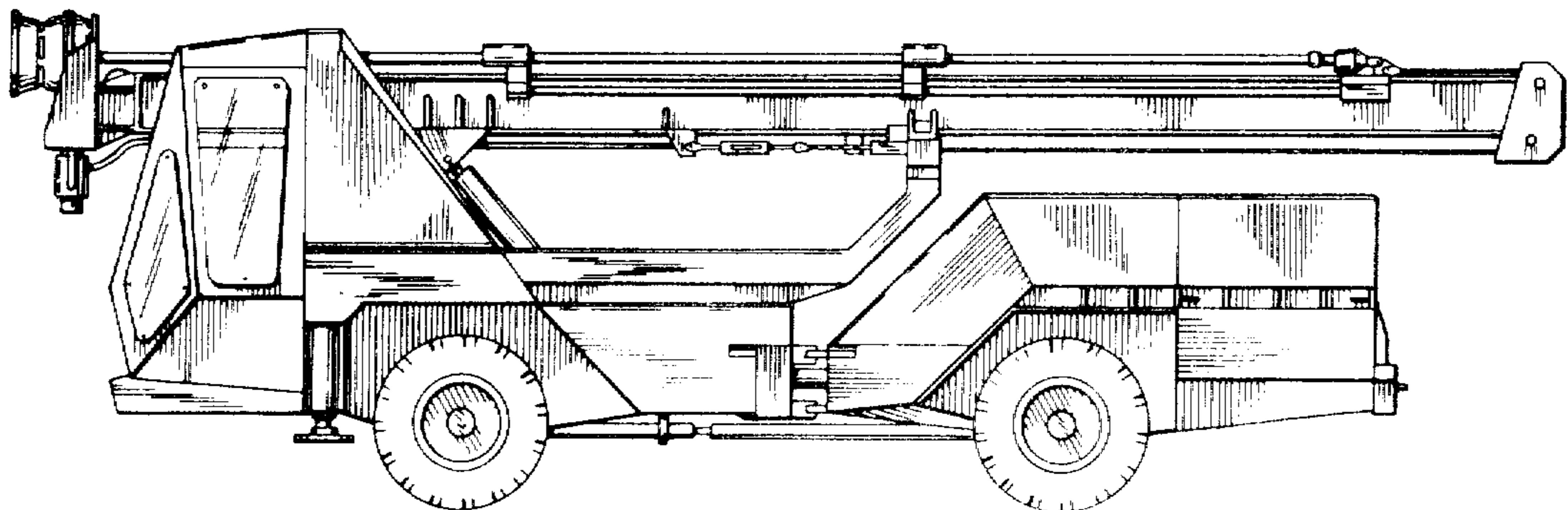
*Primary Examiner*—James M. Gandy  
*Attorney, Agent, or Firm*—Robert K. Rhea

[57] **CLAIM**

The ornamental design for an articulated blasthole drilling vehicle, as shown and described.

**DESCRIPTION**

FIG. 1 is a left side elevational view of the articulated blasthole drilling vehicle showing my new design; FIG. 2 is a top plan view thereof; FIG. 3 is a right side elevational view thereof; FIG. 4 is a front end elevational view thereof; FIG. 5 is a rear end elevational view thereof; FIG. 6 is a left side elevational view thereof, on a reduced scale, with the drill tower in upright position; and, FIG. 7 is a right side elevational view of FIG. 6.



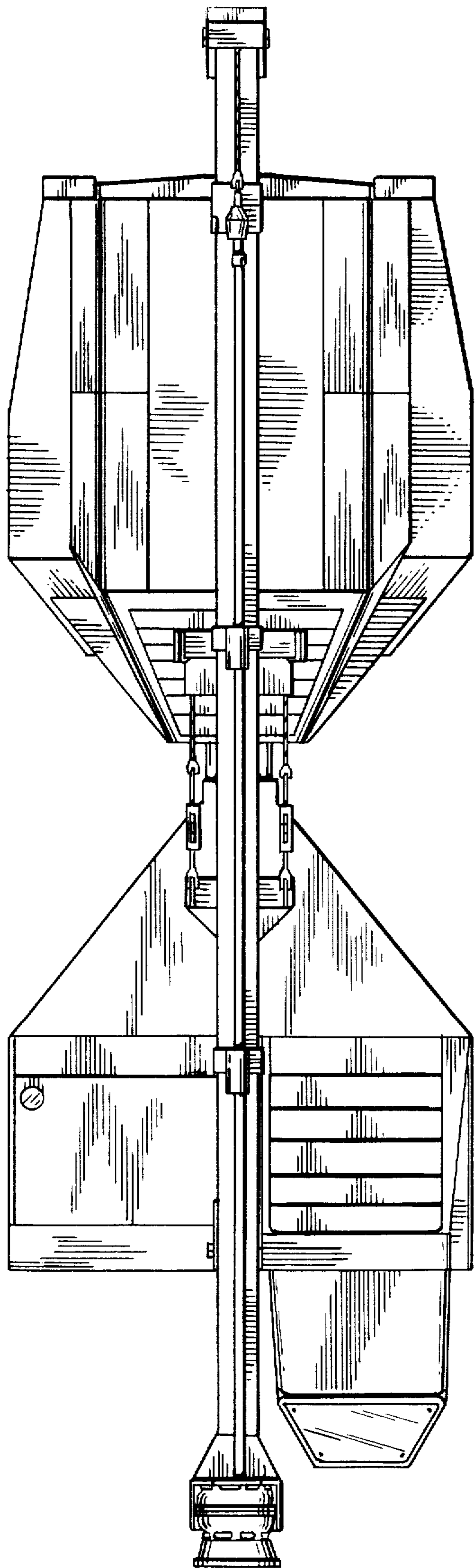


FIG. 2

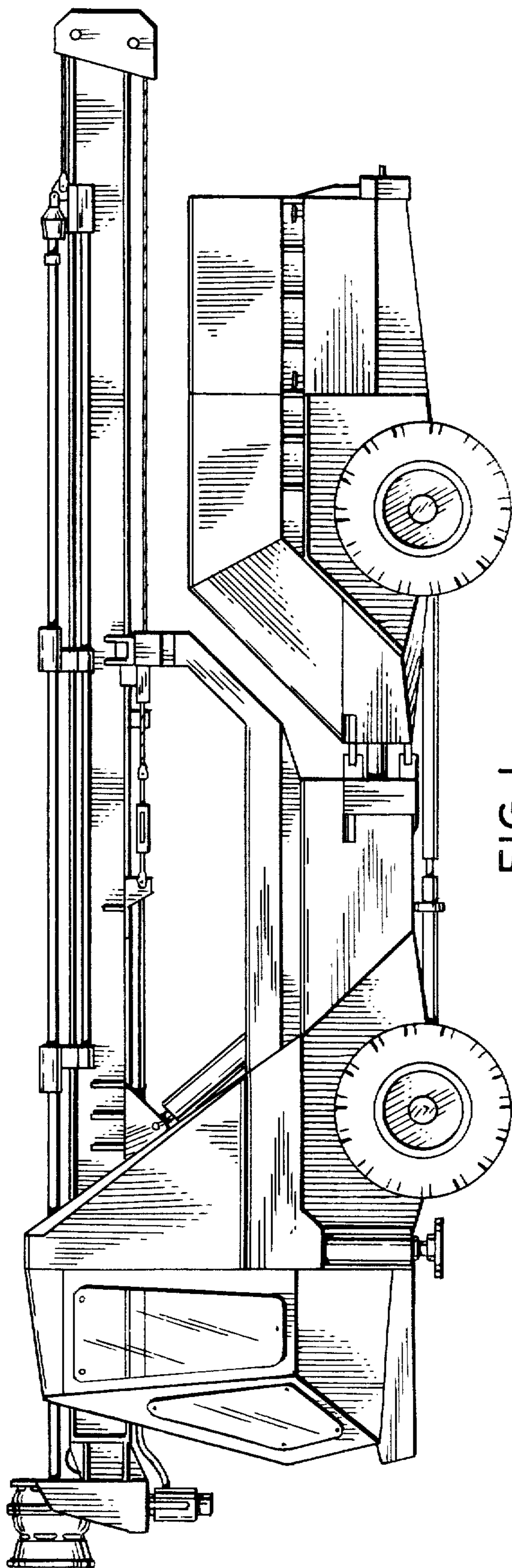


FIG. 1

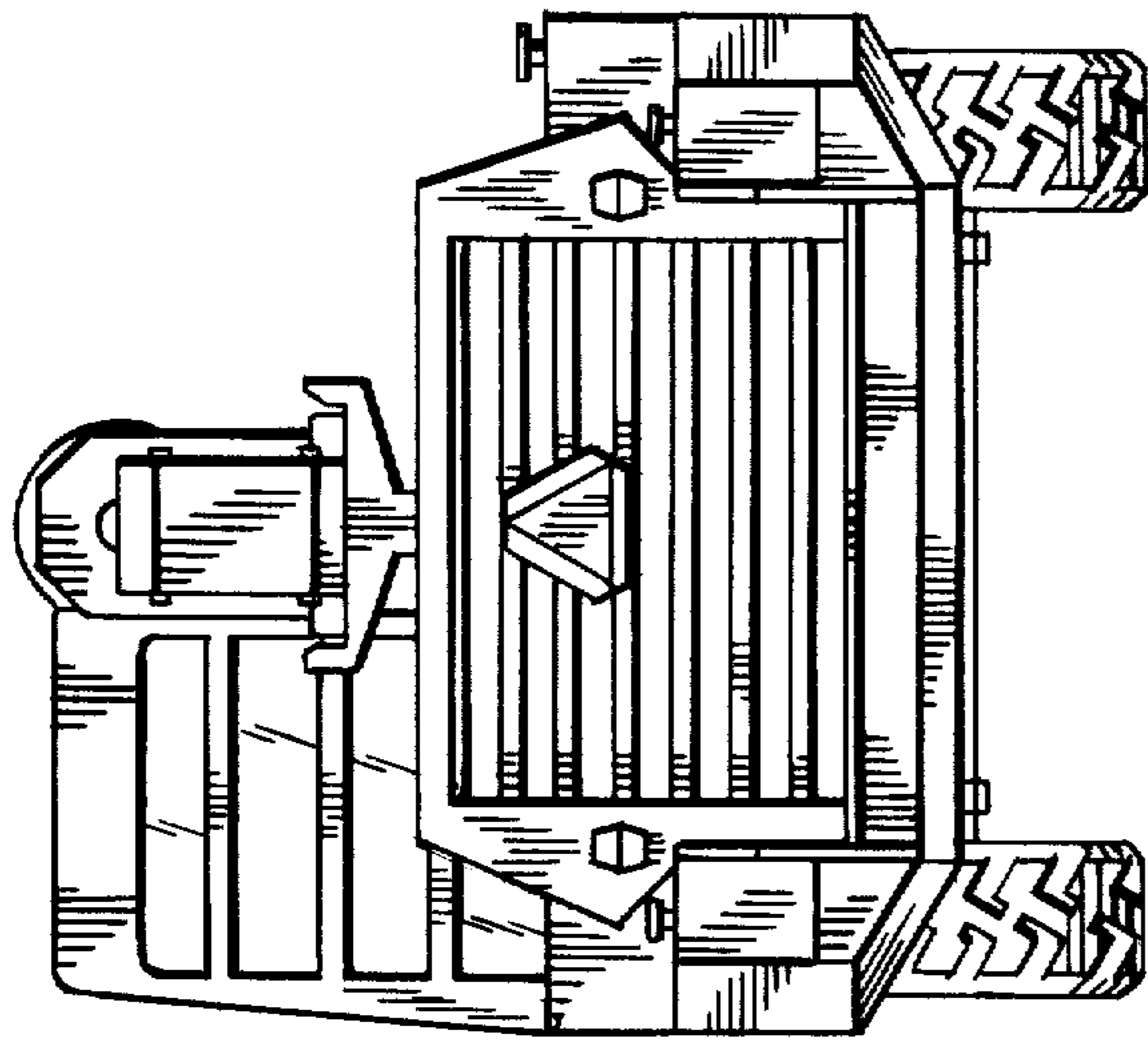


FIG. 5

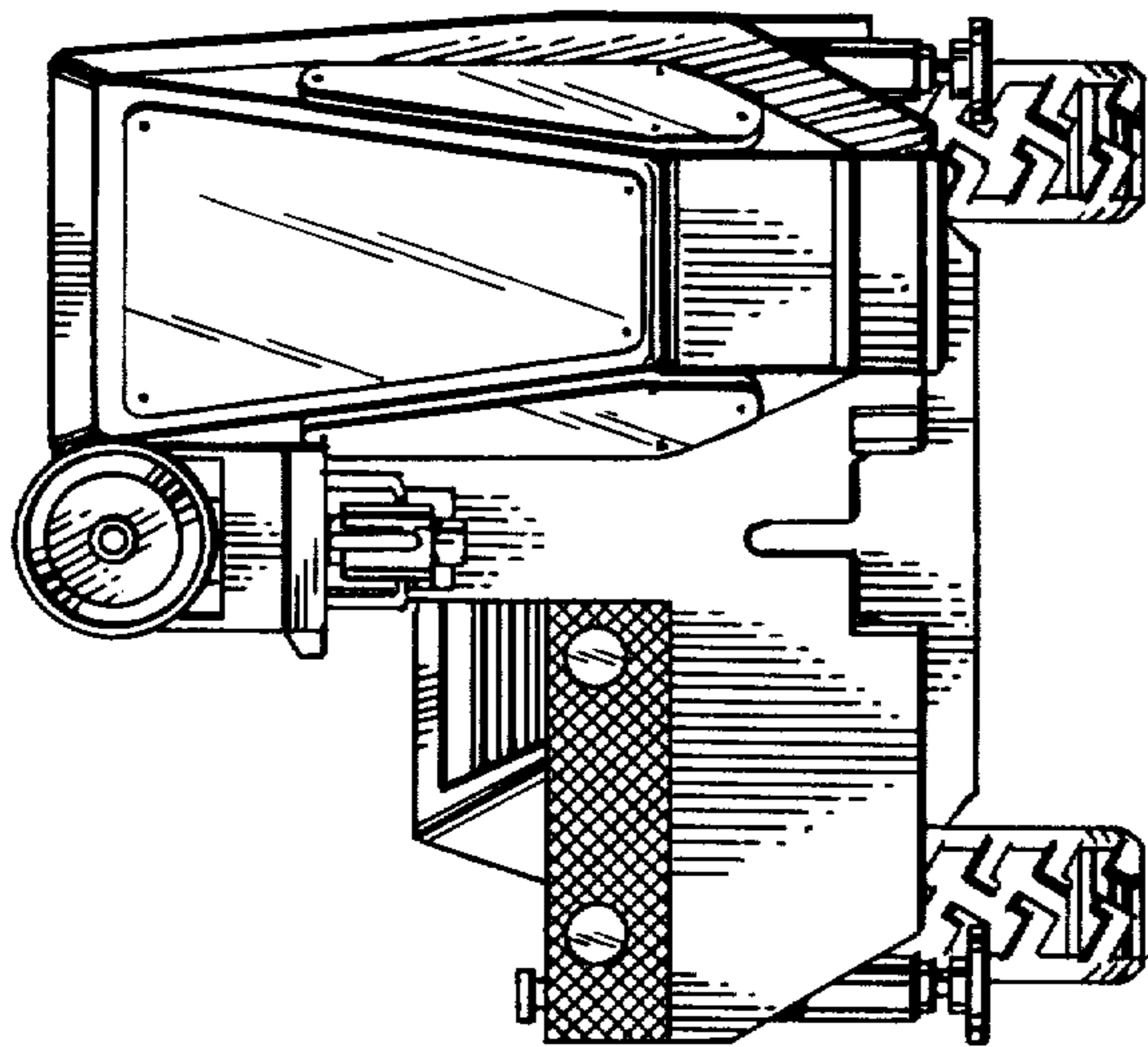


FIG. 4

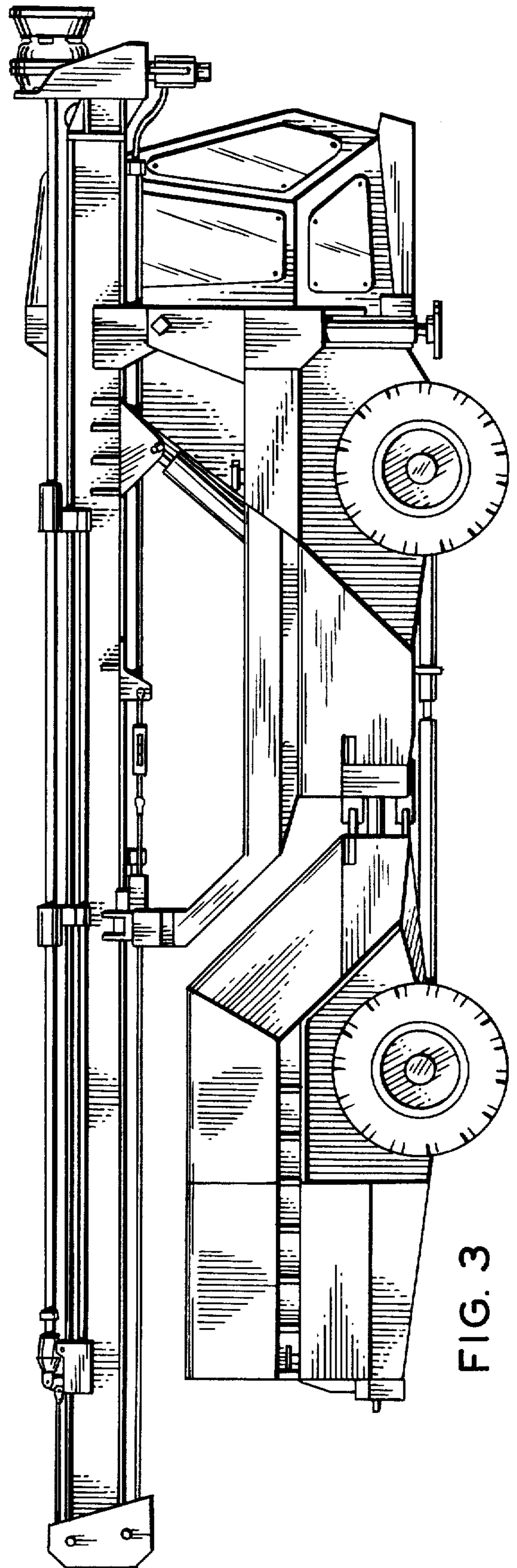


FIG. 3

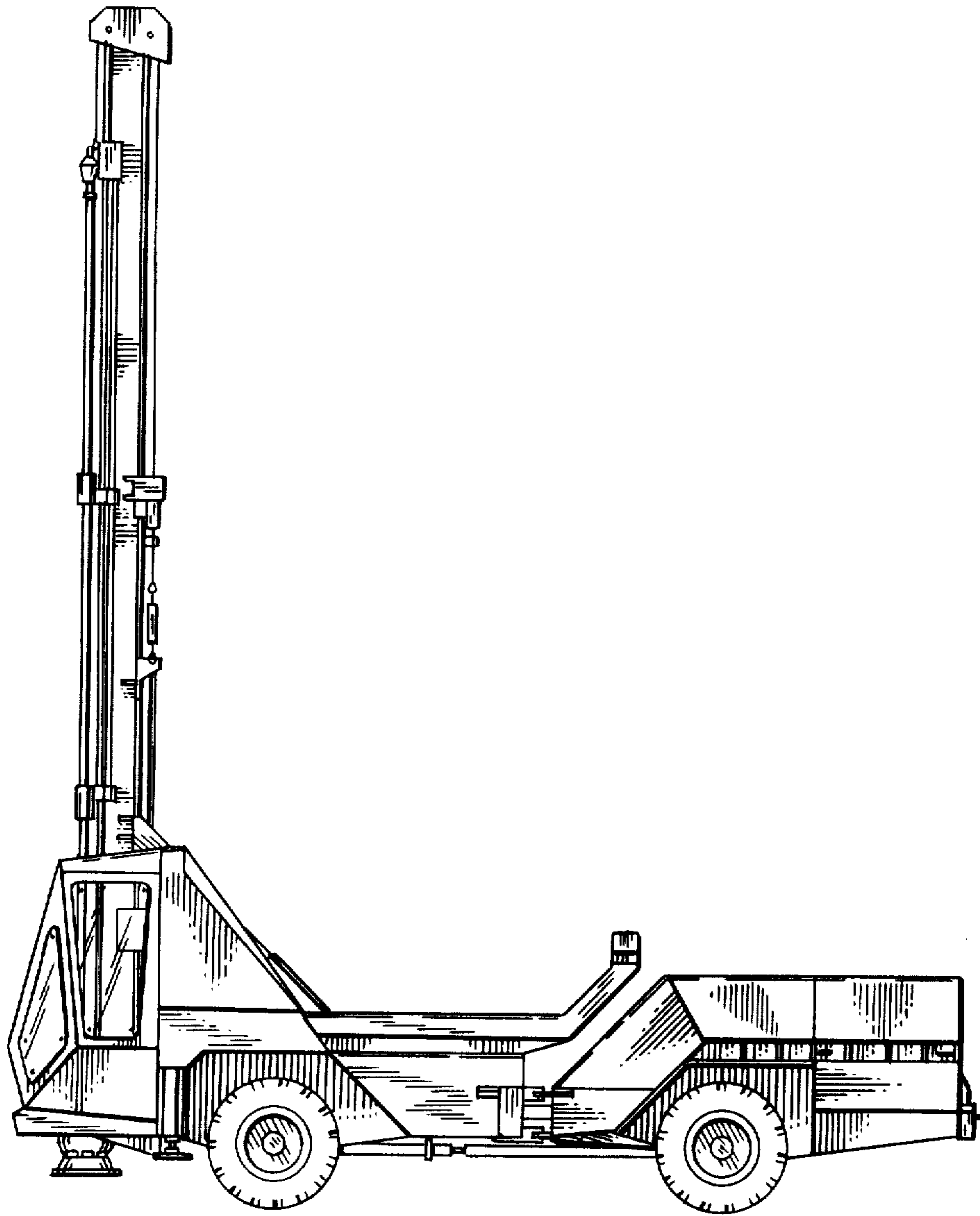


FIG. 6

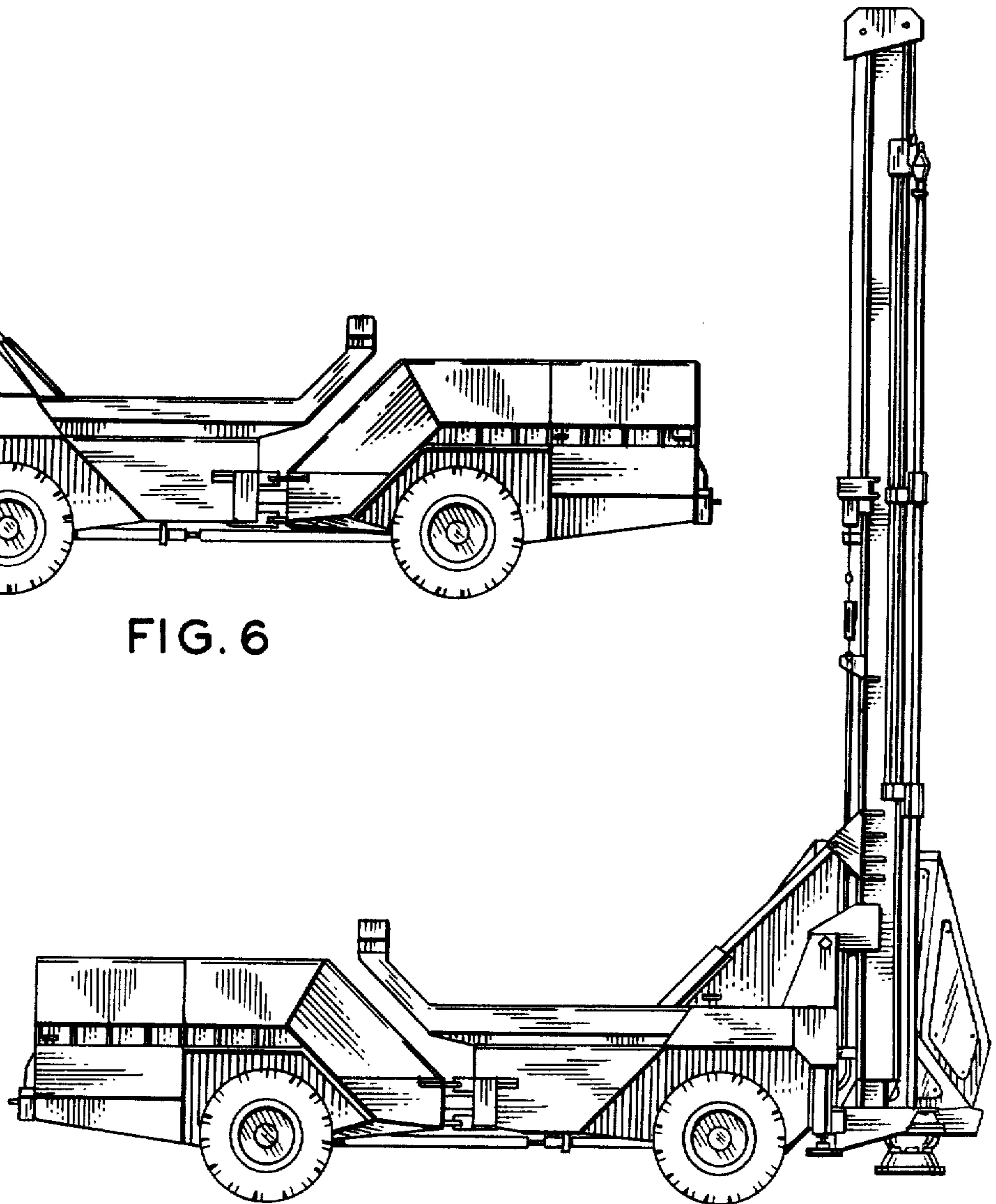


FIG. 7