

[54] **ELECTRONIC PACKAGE**

[75] Inventor: **Bayard F. Kessler**, Woodland Hills, Calif.

[73] Assignee: **Novation, Inc.**, Tarzana, Calif.

[**] Term: **14 Years**

[21] Appl. No.: **131,653**

[22] Filed: **Mar. 19, 1980**

[51] Int. Cl. **D13-03**

[52] U.S. Cl. **D13/41**

[58] Field of Search **D13/12, 40, 41; 361/331, 332, 334, 364, 366, 380, 381, 384, 383, 390-395, 399; 174/50, 52 R**

3,617,610 11/1971 **Katayama et al.** 361/331 X
 3,668,476 6/1972 **Wrabel et al.** 361/395 X

FOREIGN PATENT DOCUMENTS

2445792 4/1976 **Fed. Rep. of Germany** 361/380

Primary Examiner—Susan J. Lucas
Attorney, Agent, or Firm—Blakely, Sokoloff, Taylor & Zafman

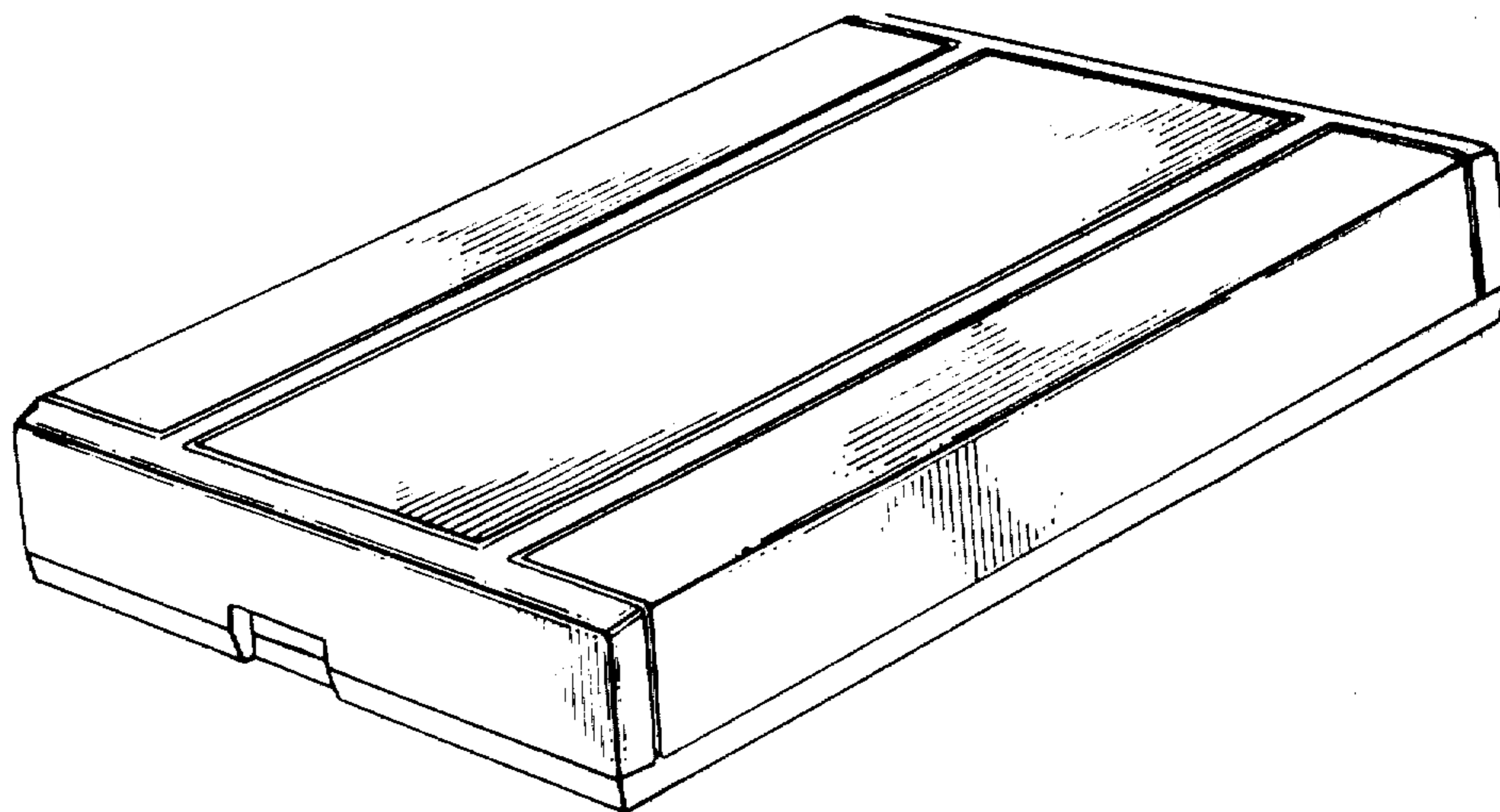
CLAIM

The ornamental design for the electronic package, substantially as shown.

DESCRIPTION

FIG. 1 is a perspective view of the electronic package illustrating the new design.
 FIG. 2 is a top view of the new design.
 FIG. 3 is a front view of the new design.
 FIG. 4 is an end view of the new design.
 FIG. 5 is a bottom view of the new design.

[56] **References Cited**
U.S. PATENT DOCUMENTS
 D. 249,791 10/1978 **Ainscow** **D13/41**



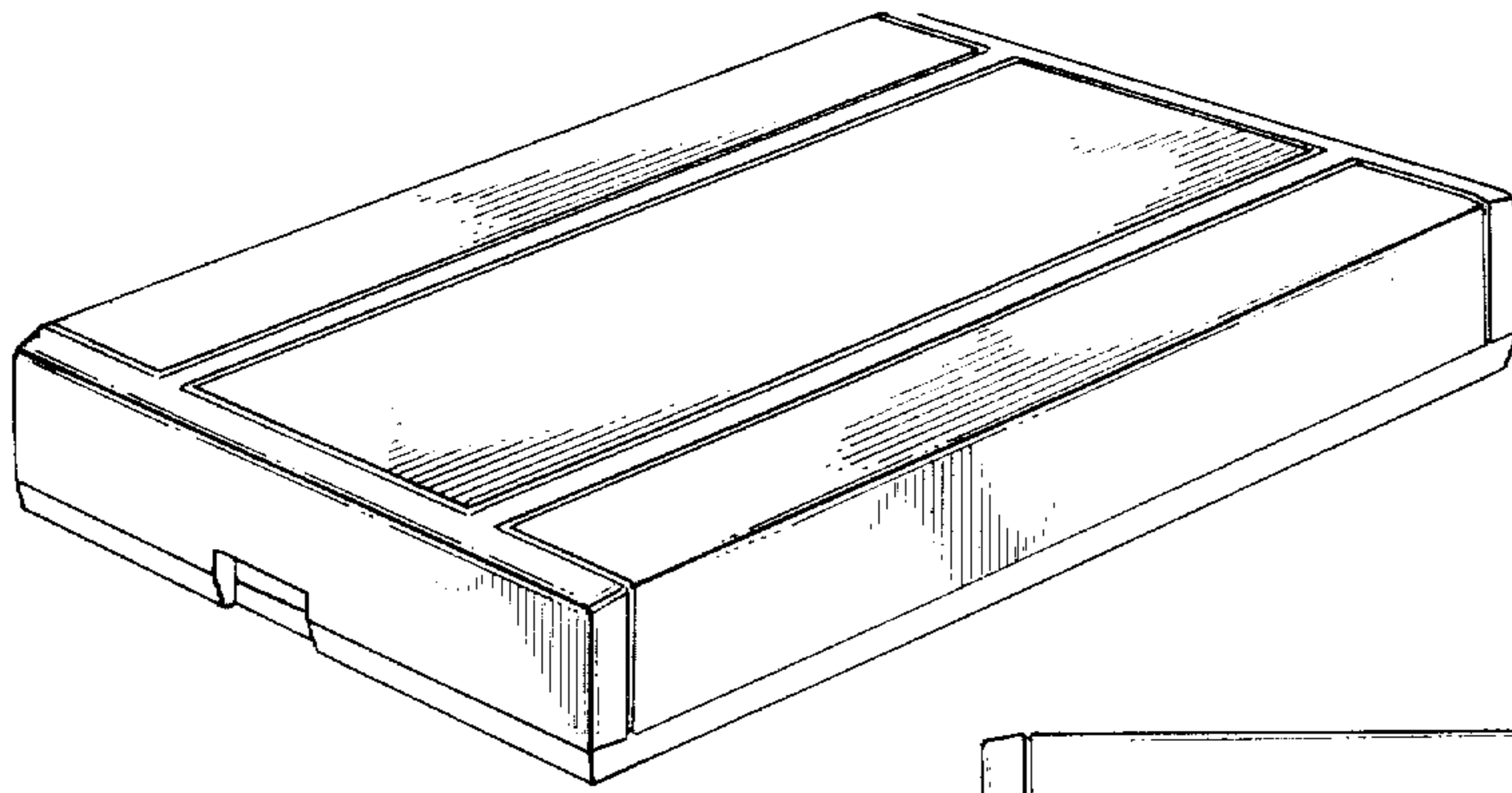


Fig. 1

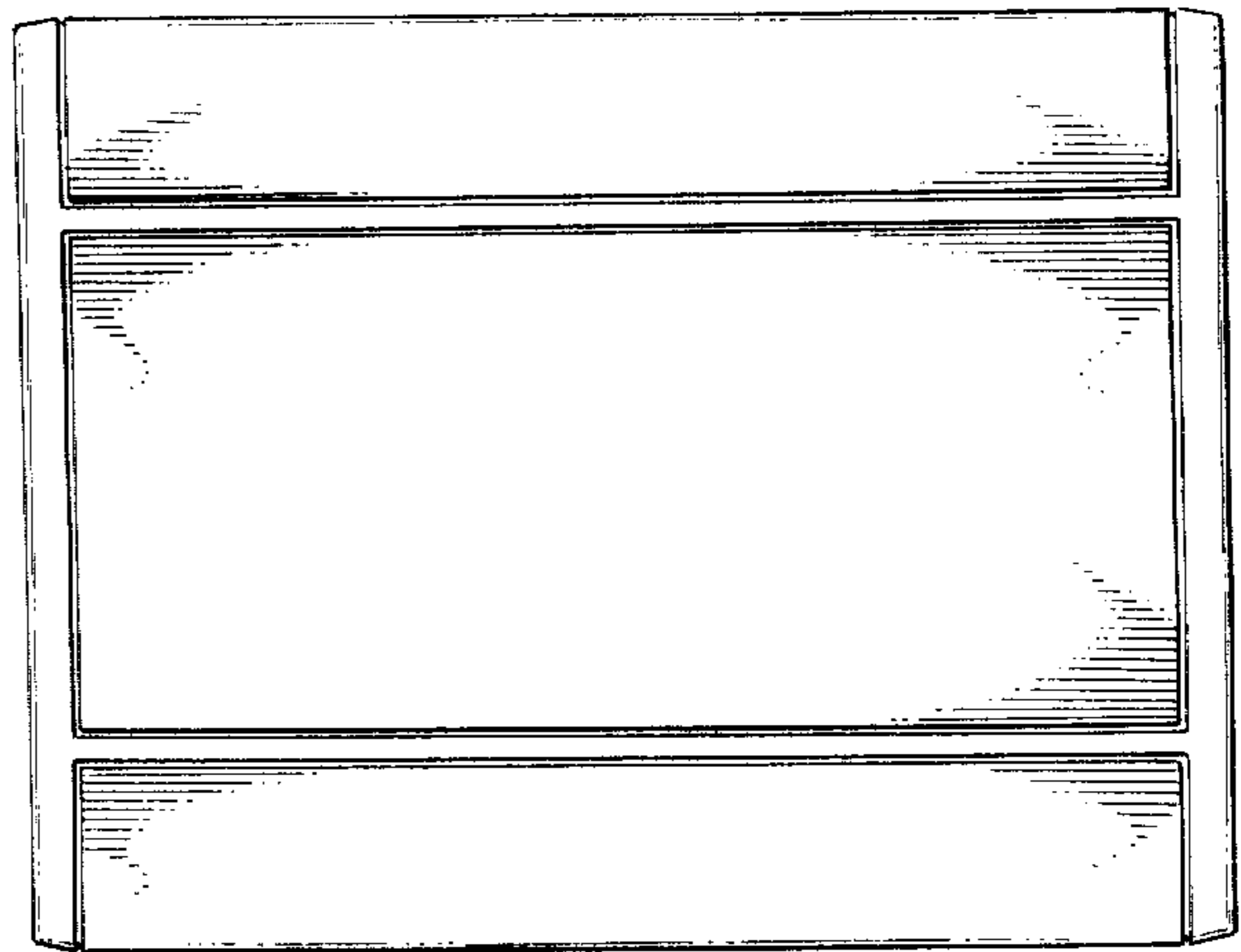


Fig. 2

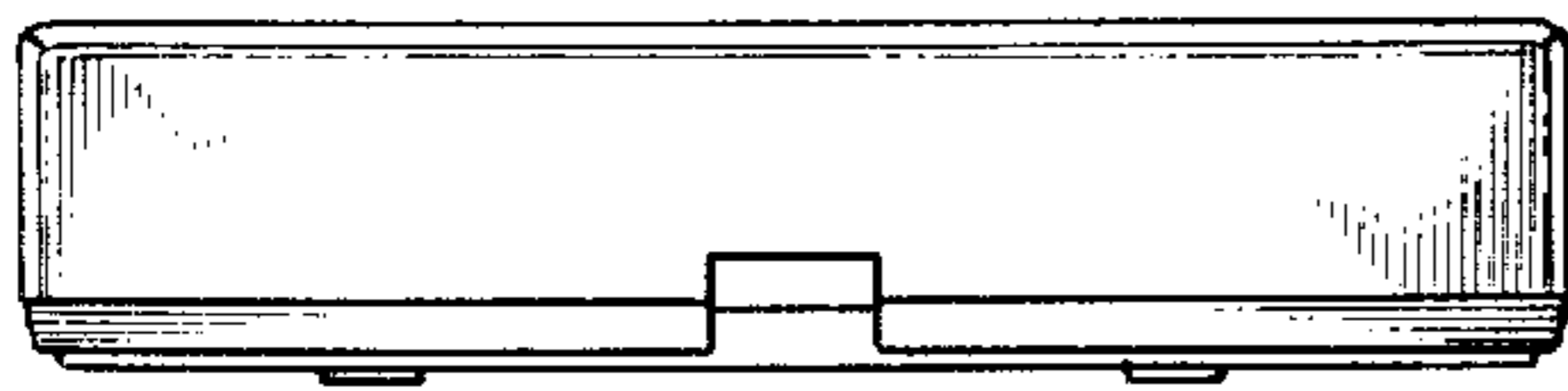


Fig. 4

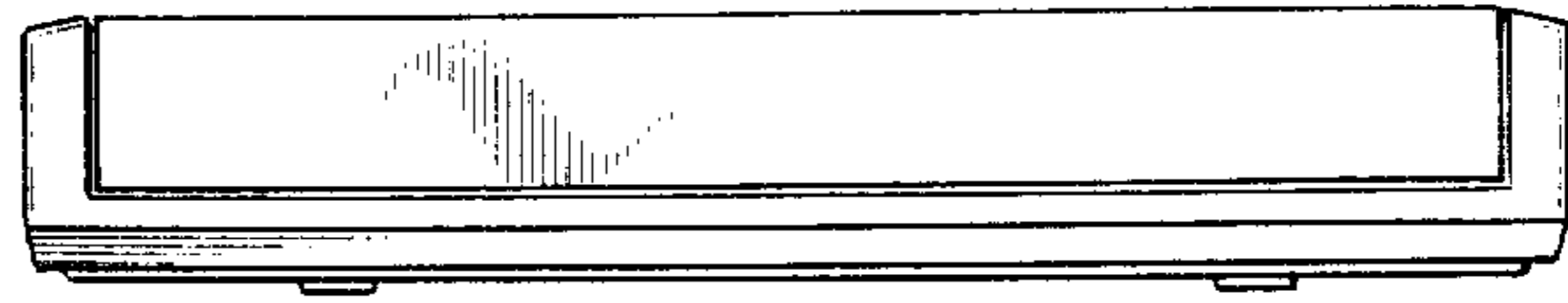


Fig. 3

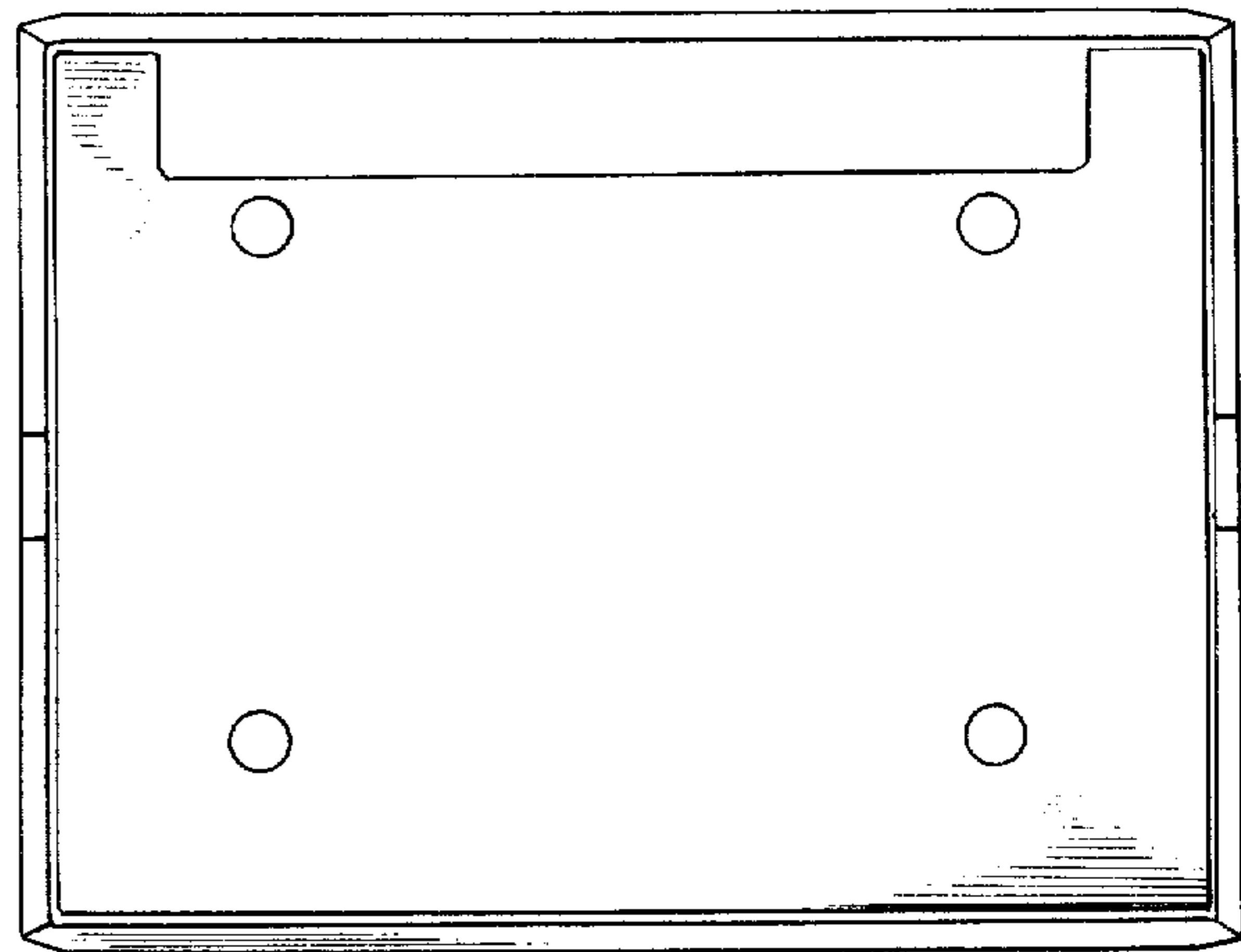


Fig. 5