

[54] HOUSING FOR LASER OPTICAL FOCUSING ELEMENTS FOR LASER WELDING MACHINE

[75] Inventor: Wolfgang Mobius, Stuttgart, Fed. Rep. of Germany

[73] Assignee: International Standard Electric Corporation, New York, N.Y.

[**] Term: 14 Years

[21] Appl. No.: 31,728

[22] Filed: Apr. 20, 1979

[30] Foreign Application Priority Data

Oct. 26, 1978 [DE] Fed. Rep. of Germany MR4913

[51] Int. Cl. D13-99

[52] U.S. Cl. D13/19

[58] Field of Search 219/121 L, 121 LA, 121 LB, 219/121 LC, 121 LD, 121 LP, 121 LQ, 121 LM, , 121 LS, 121 LT, 121 LU, 121 LV, 121 LX, 121 LW, 121 LY, 121 LZ; D13/19; D15/144; D8/30

[56] References Cited

U.S. PATENT DOCUMENTS

3,304,403	2/1967	Harper	219/121 LP X
3,382,343	5/1968	Muncheryow	219/121 LC
3,986,767	10/1976	Rexer et al.	219/121 LQ X
4,141,456	2/1979	Hart	219/121 LZ X

Primary Examiner—Susan J. Lucas
Attorney, Agent, or Firm—John T. O'Halloran; Alfred C. Hill

[57] CLAIM

The ornamental design for a housing for laser optical focusing elements for a laser welding machine, as shown and described.

DESCRIPTION

FIG. 1 is a front isometric view of a housing for laser optical focusing elements for laser machine showing my new design;

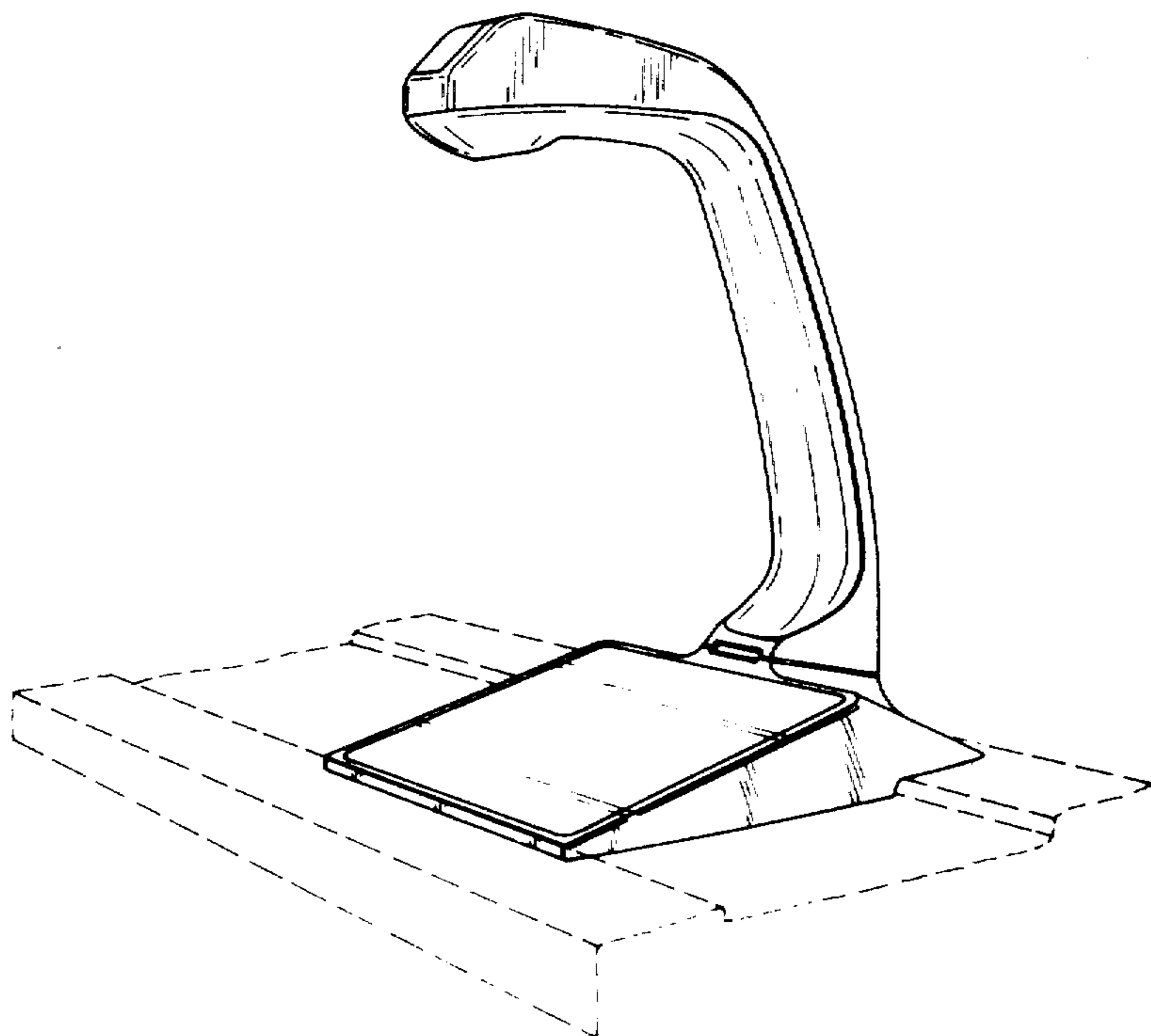
FIG. 2 is a front elevational view thereof;

FIG. 3 is a rear elevational view thereof;

FIG. 4 is a top plan view thereof;

FIG. 5 is a side view thereof, the opposite side being a mirror image; and

FIG. 6 is a view taken along section line 6-6 of FIG. 5. The welding machine console is fragmentarily shown in broken lines for illustrative purposes only.



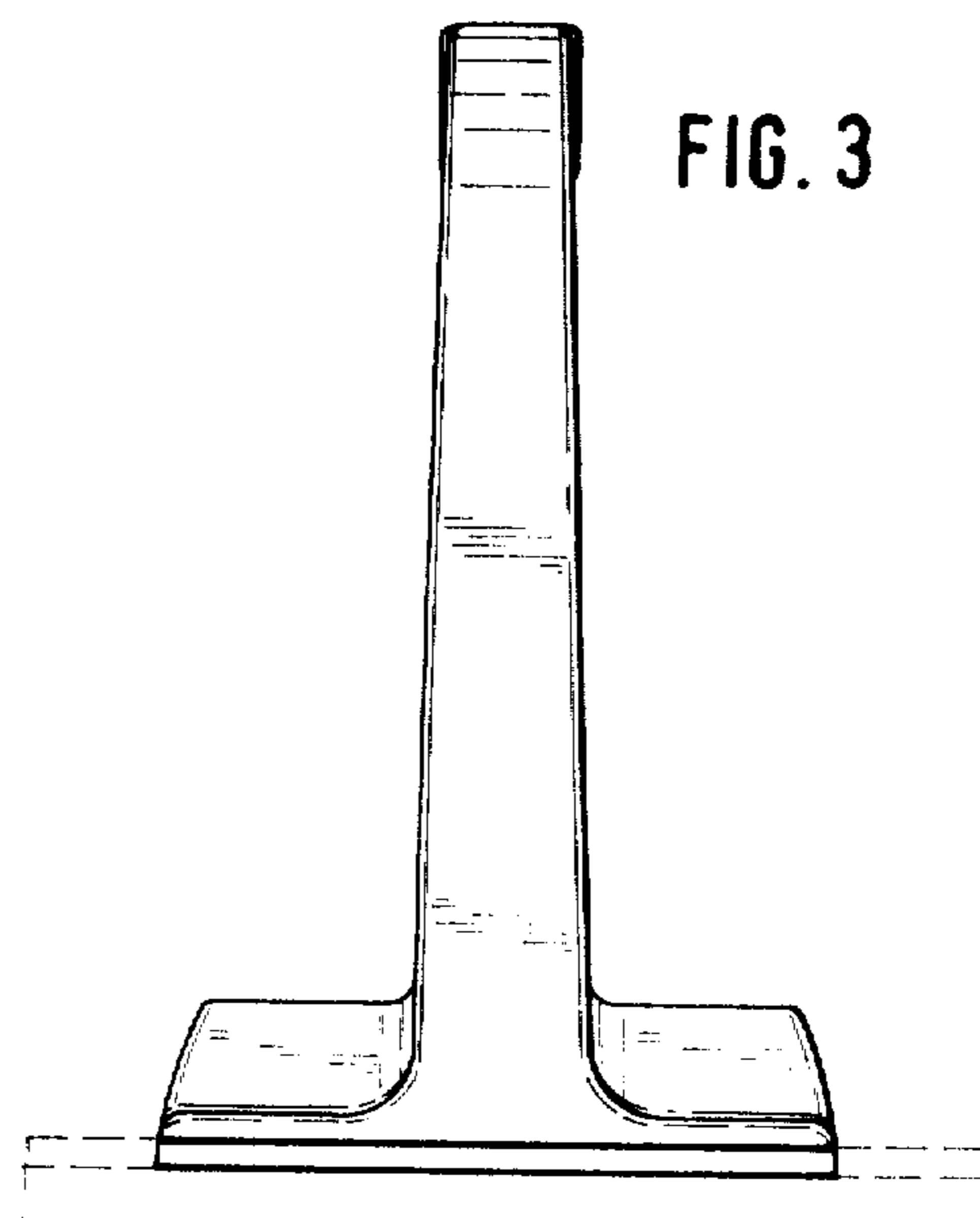
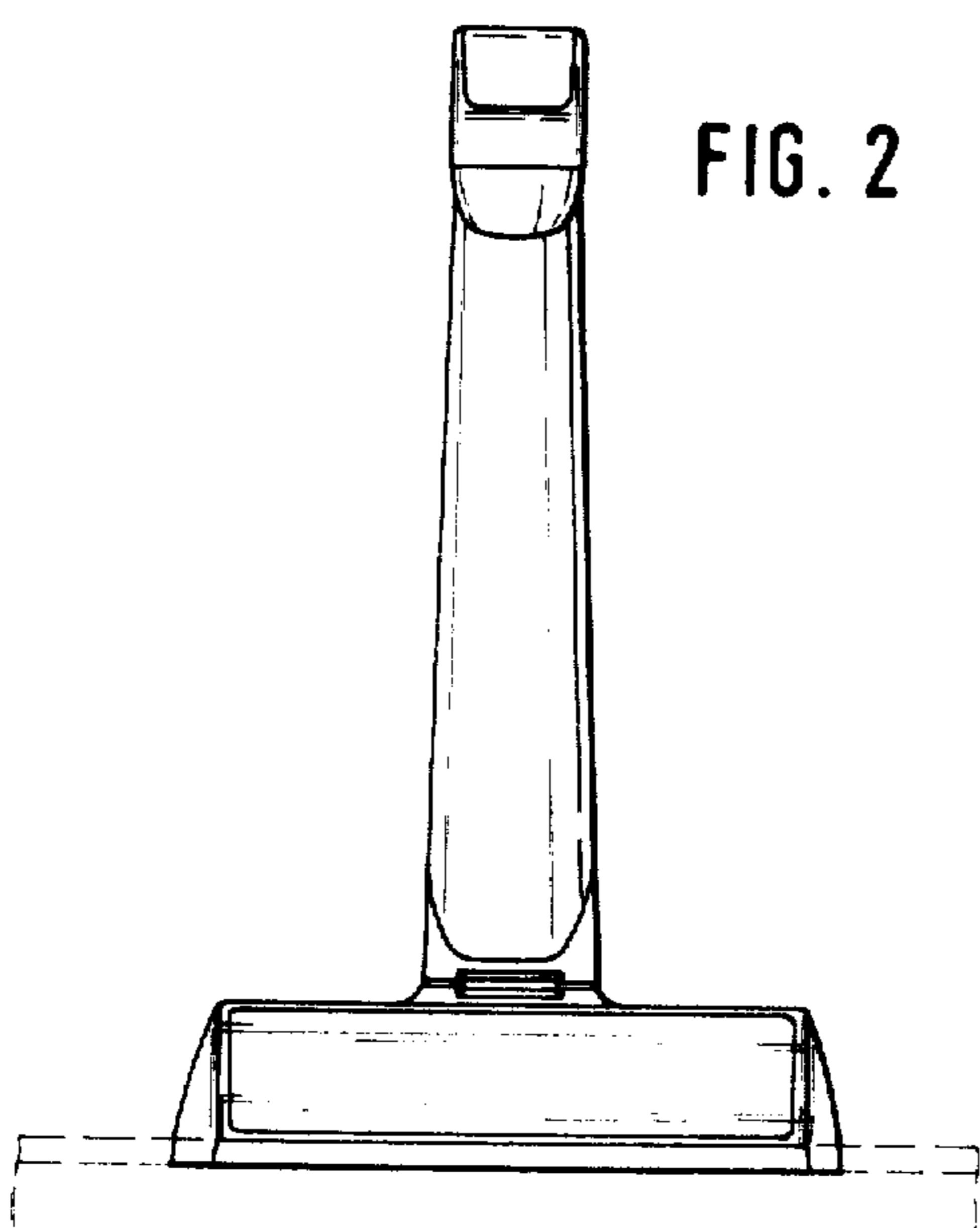
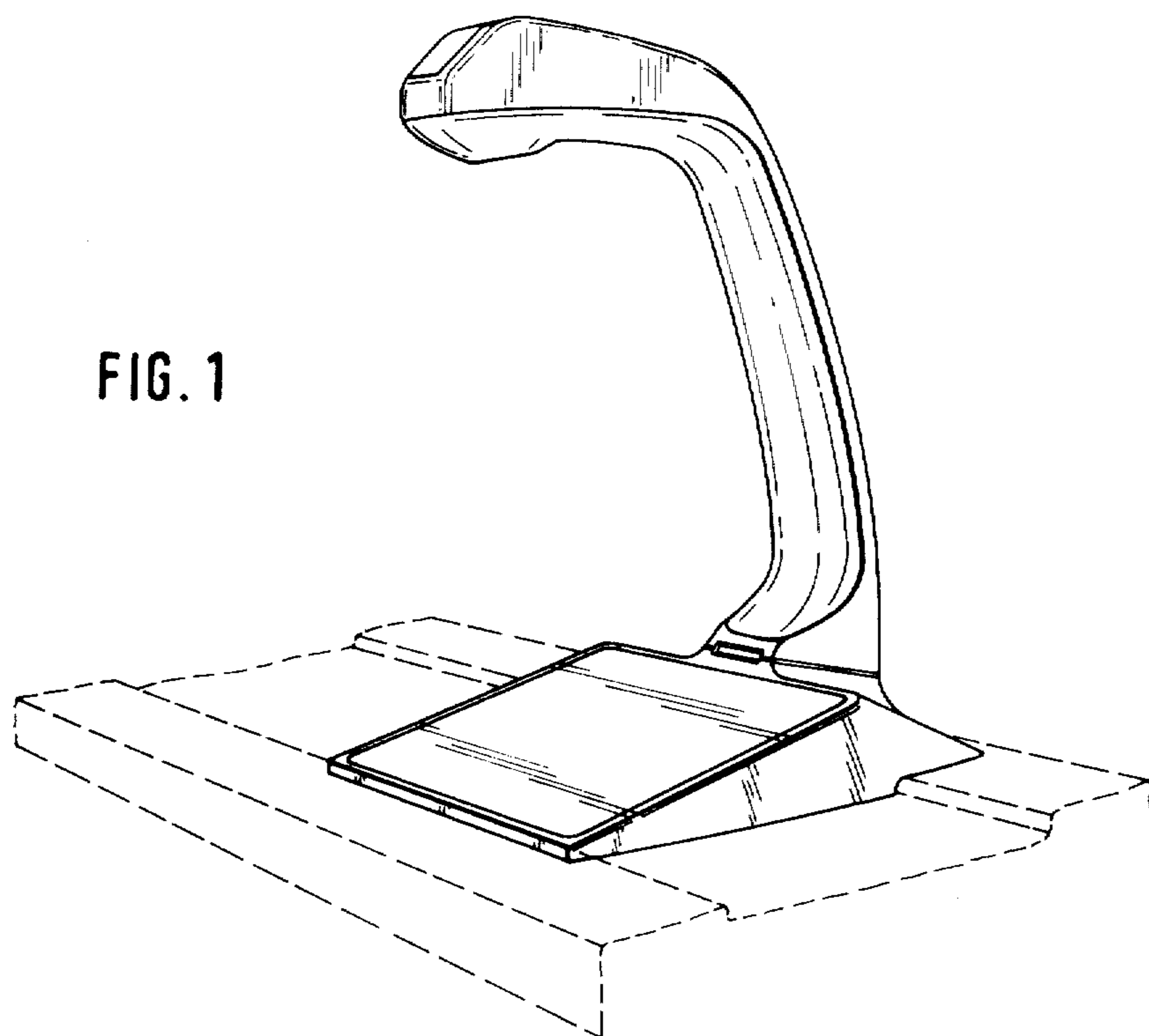


FIG. 4

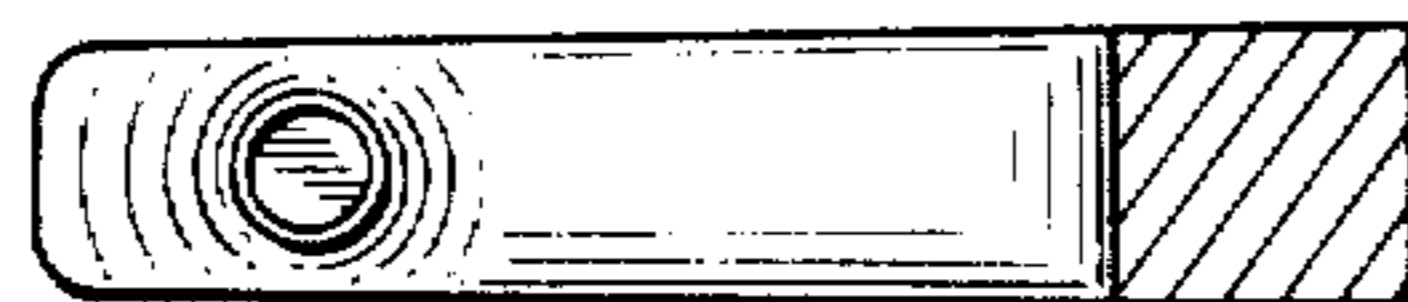
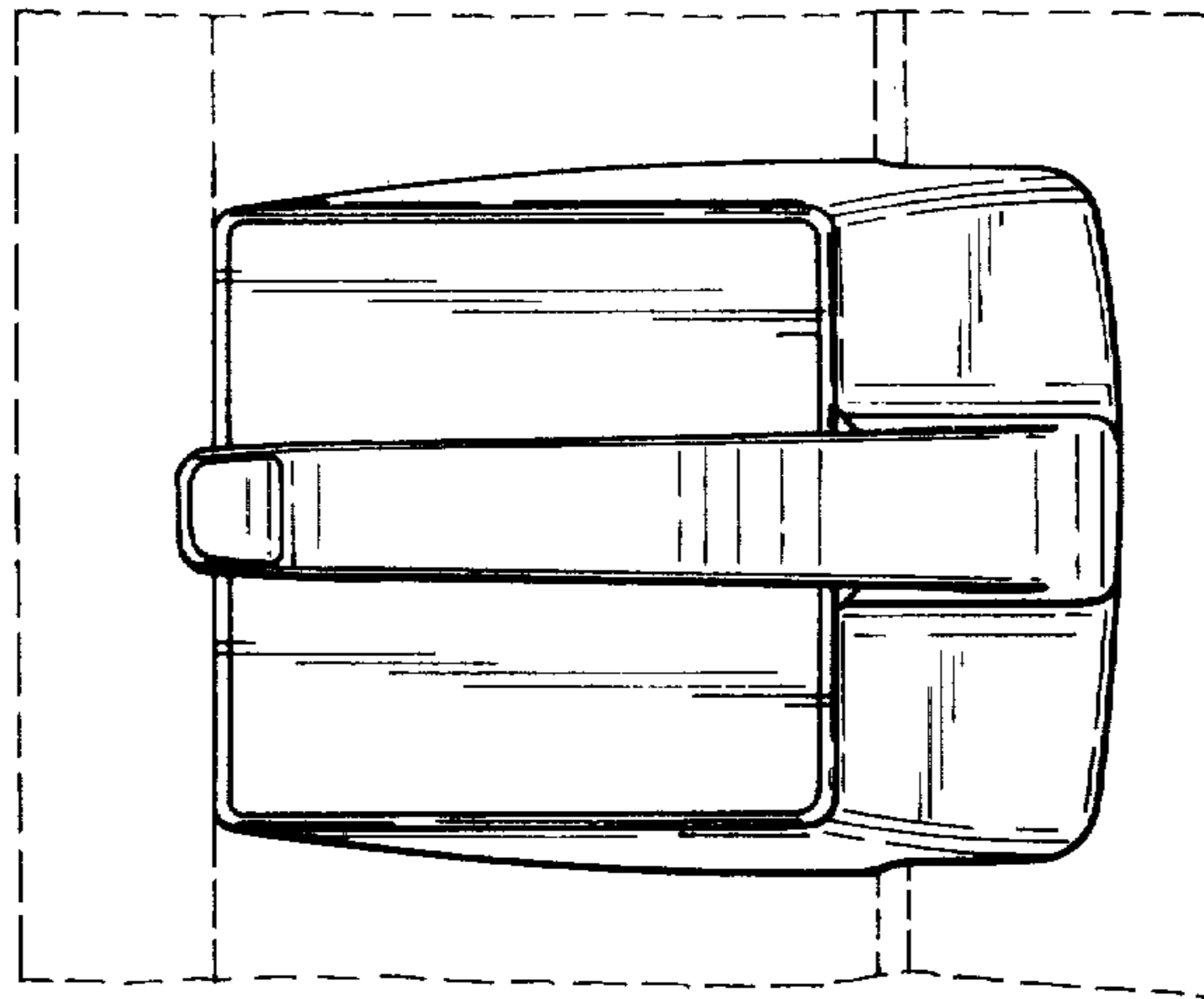


FIG. 6

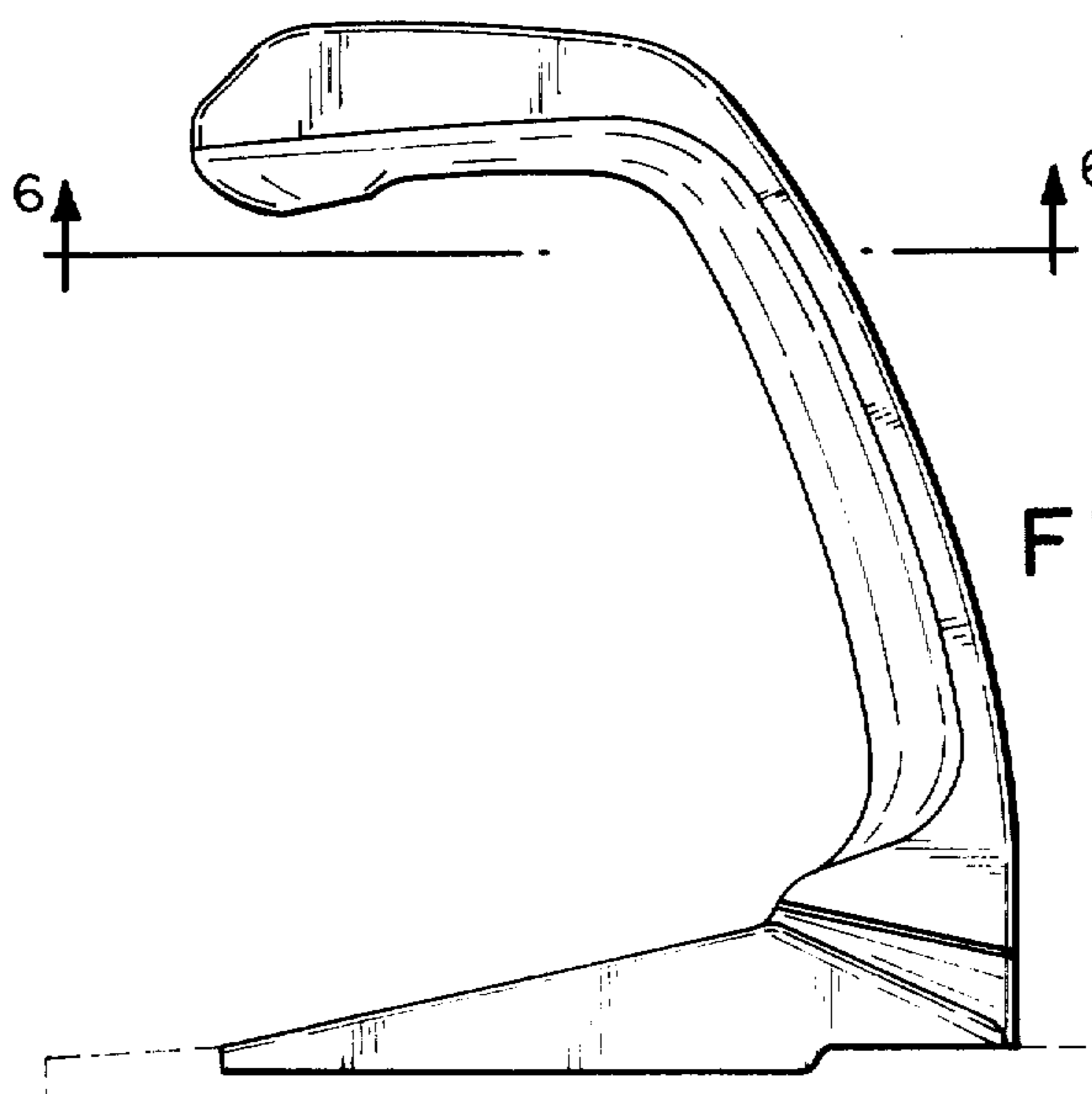


FIG. 5