

[54] GAS CAP FOR VEHICLE TANKS

[76] Inventor: Pick Gaston, 3913 Springfield, Kansas City, Kans. 66100

[**] Term: 14 Years

[21] Appl. No.: 148,552

[22] Filed: May 9, 1980

[51] Int. Cl. D12-16

[52] U.S. Cl. D12/197

[58] Field of Search D12/197; 220/86 R, DIG. 33; D9/454, 443

[56] References Cited

PUBLICATIONS

J. C. Whitney Catalog No. 342, p. 6, TM 1975, Locking Gas Cap, top center of Page.

Motor, 4/63, p. 17, Gas Caps, Nos. 3 & 10.

Primary Examiner—James M. Gandy
Attorney, Agent, or Firm—Lowe, Kokjer, Kircher, Wharton & Bowman

[57] CLAIM

The ornamental design for a gas cap for vehicle tanks, as shown and described.

DESCRIPTION

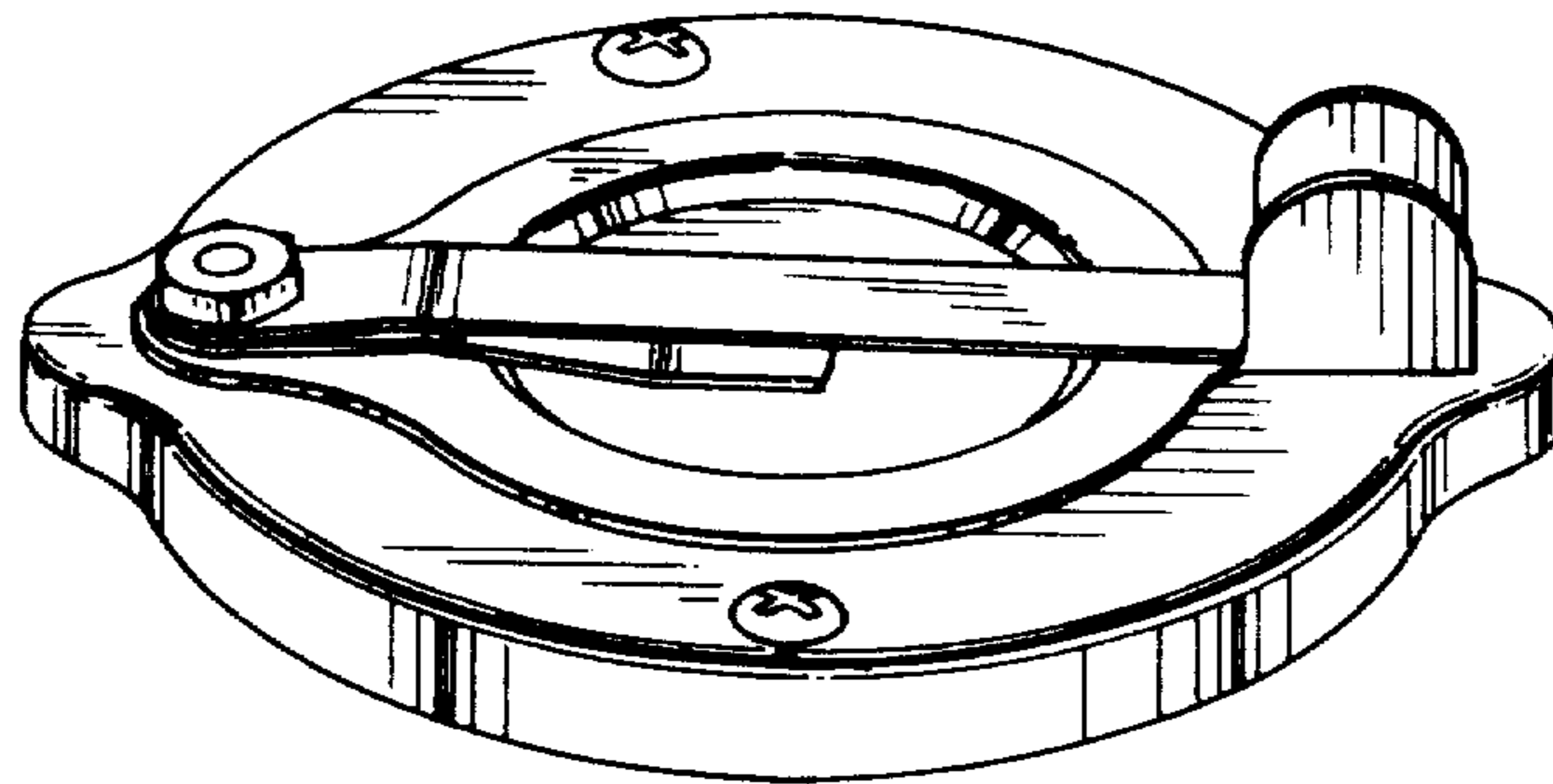
FIG. 1 is a perspective view of the gas cap for vehicle tanks;

FIG. 2 is a top plan view thereof;

FIG. 3 is an elevational view of one side thereof, the opposite side being substantially a mirror image thereto;

FIG. 4 is an elevational view of one end thereof; and

FIG. 5 is an elevational view of the opposite end thereof.



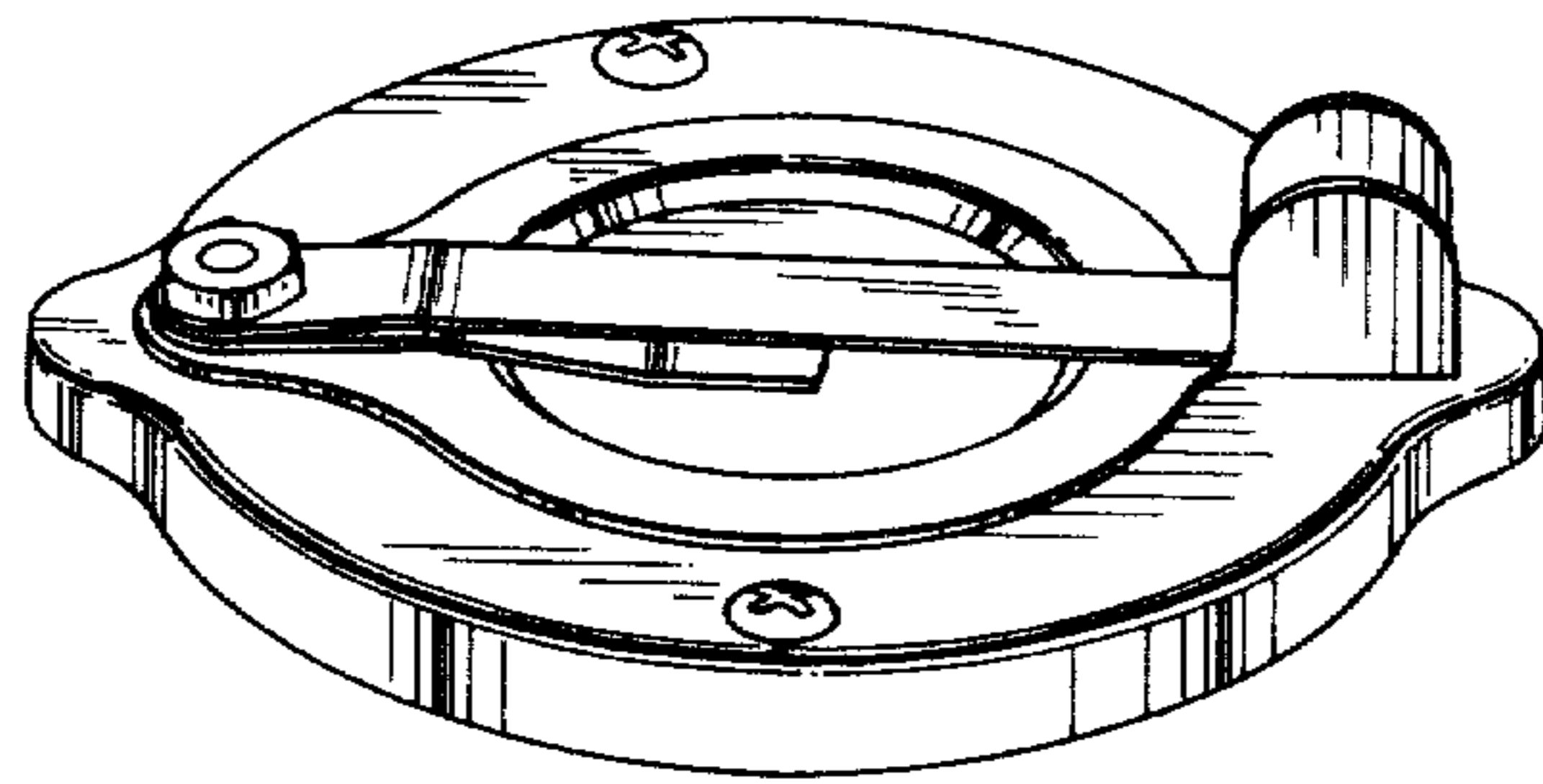


Fig. 1.

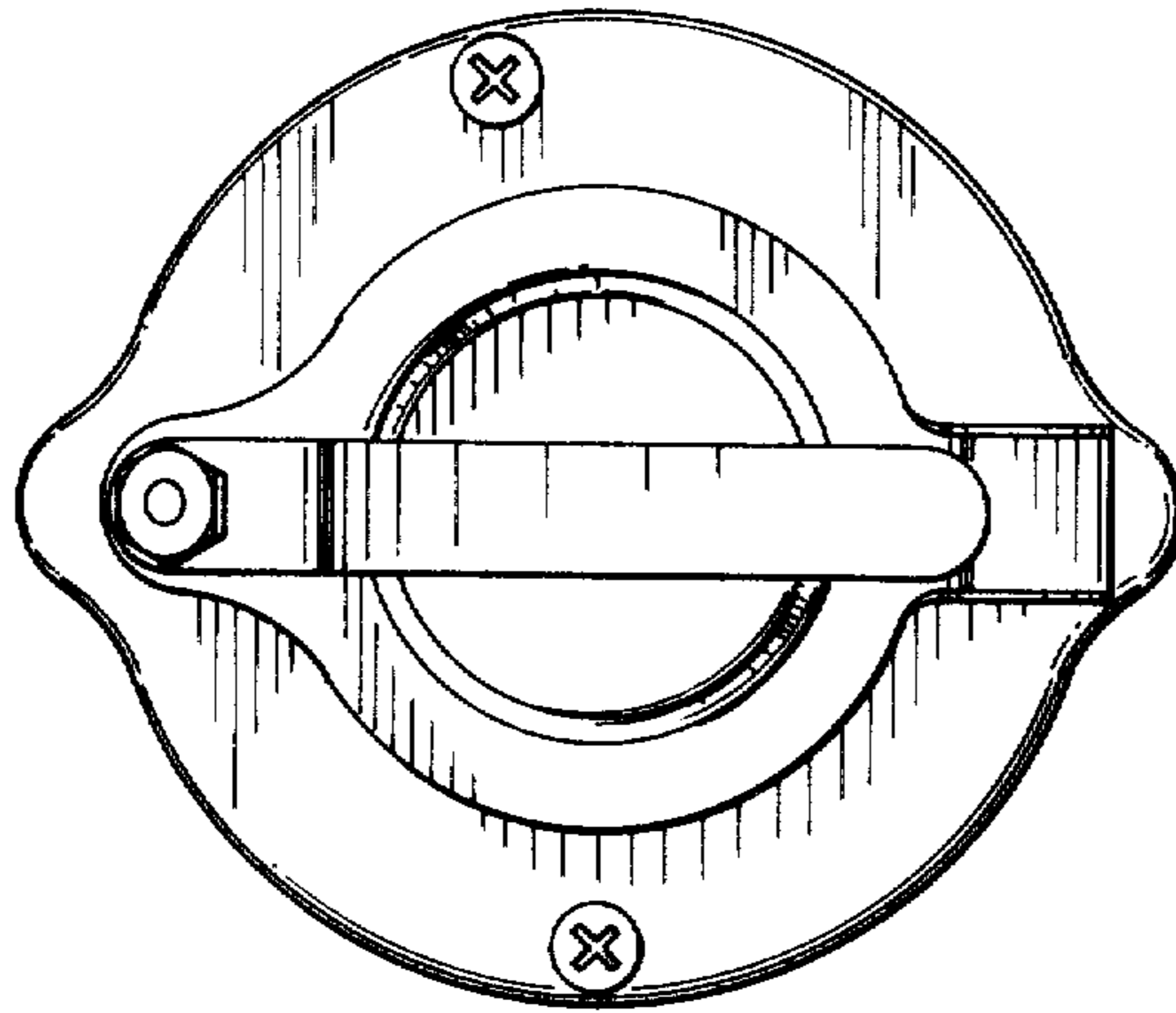


Fig. 2.

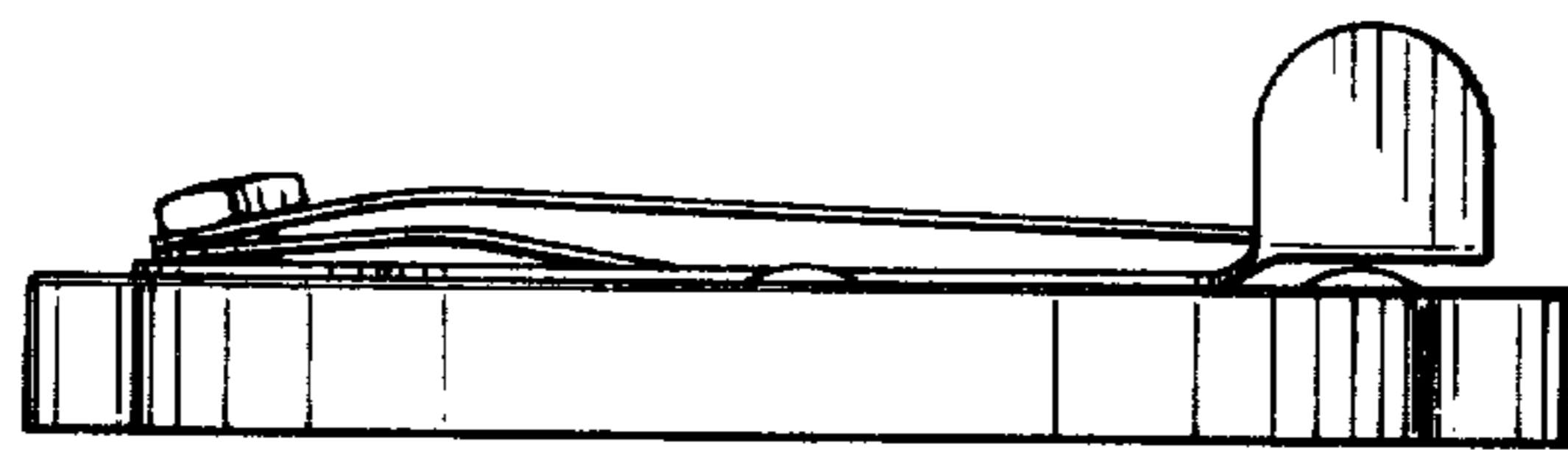


Fig. 3.

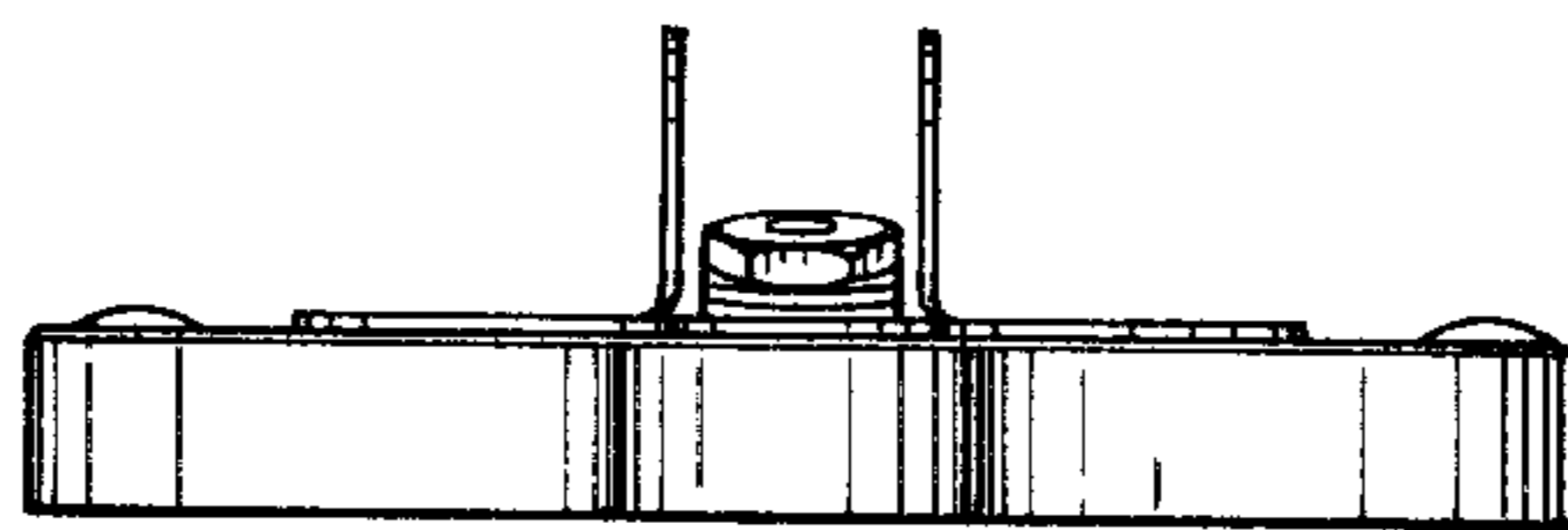


Fig. 4.

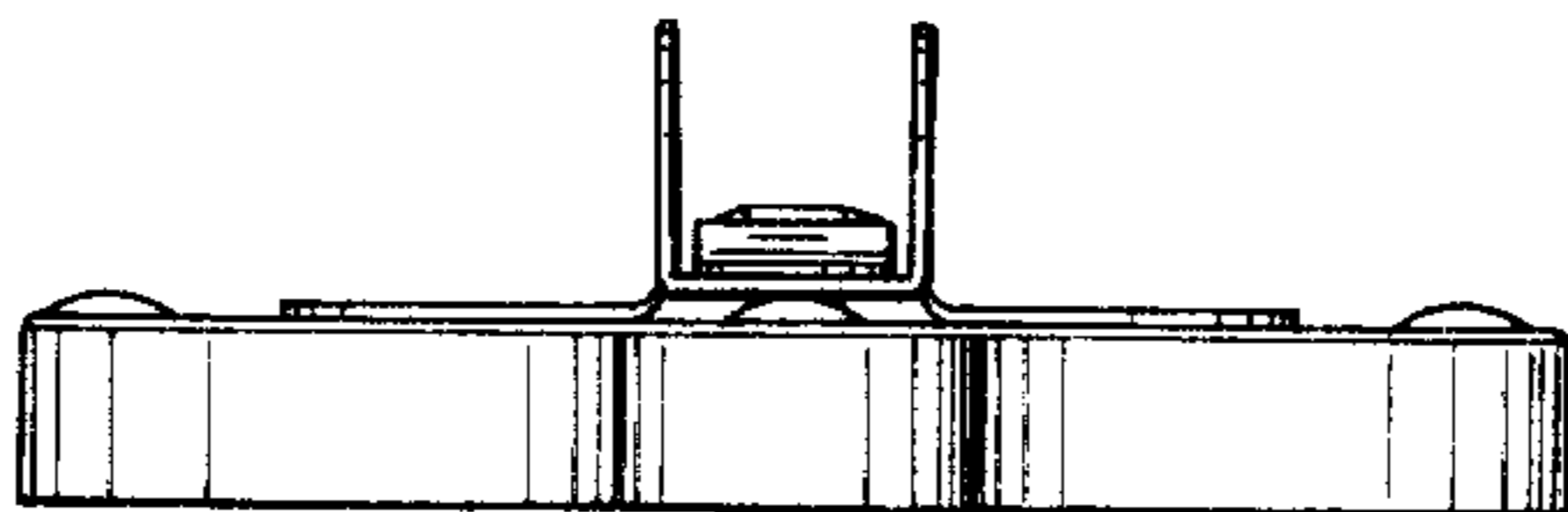


Fig. 5.