

[54] SUPPORT BRACKET FOR A FILTER OR THE LIKE

[76] Inventors: Brad T. Wight, 3400 S. Ridge East; Larry S. Fargo, 4315 Beck Rd., both of Ashtabula, Ohio 44004

[**] Term: 14 Years

[21] Appl. No.: 126,572

[22] Filed: Mar. 3, 1980

[51] Int. Cl. D08-08

[52] U.S. Cl. D8/396; D8/373

[58] Field of Search D23/3, 4; D8/356, 373, D8/380, 396; 248/68 R, 74 R

[56] References Cited

U.S. PATENT DOCUMENTS

- D. 194,803 3/1963 Angel et al. D8/396 X
- D. 233,733 11/1974 Byerly D8/396 X

- D. 240,710 7/1976 Shaneour D8/396
- D. 250,037 10/1978 Chapplo D23/4
- 1,735,192 11/1929 Williams et al. 248/74 R
- 3,403,858 10/1968 Levy 248/68 R
- 3,576,305 4/1971 Welsh et al. 248/68 R
- 3,633,857 1/1972 Logan 248/68 R

Primary Examiner—James R. Largen
Attorney, Agent, or Firm—Robert R. Hussey

[57] CLAIM

The ornamental design for a support bracket for a filter or the like, as shown and described.

DESCRIPTION

FIG. 1 is a side elevational view of a support bracket for a filter or the like showing our new design, the opposite side being the same as the side shown; FIG. 2 is an end elevational view thereof, the opposite end being a mirror image of the end shown; FIG. 3 is a bottom plan view thereof; and FIG. 4 is a top plan view thereof.

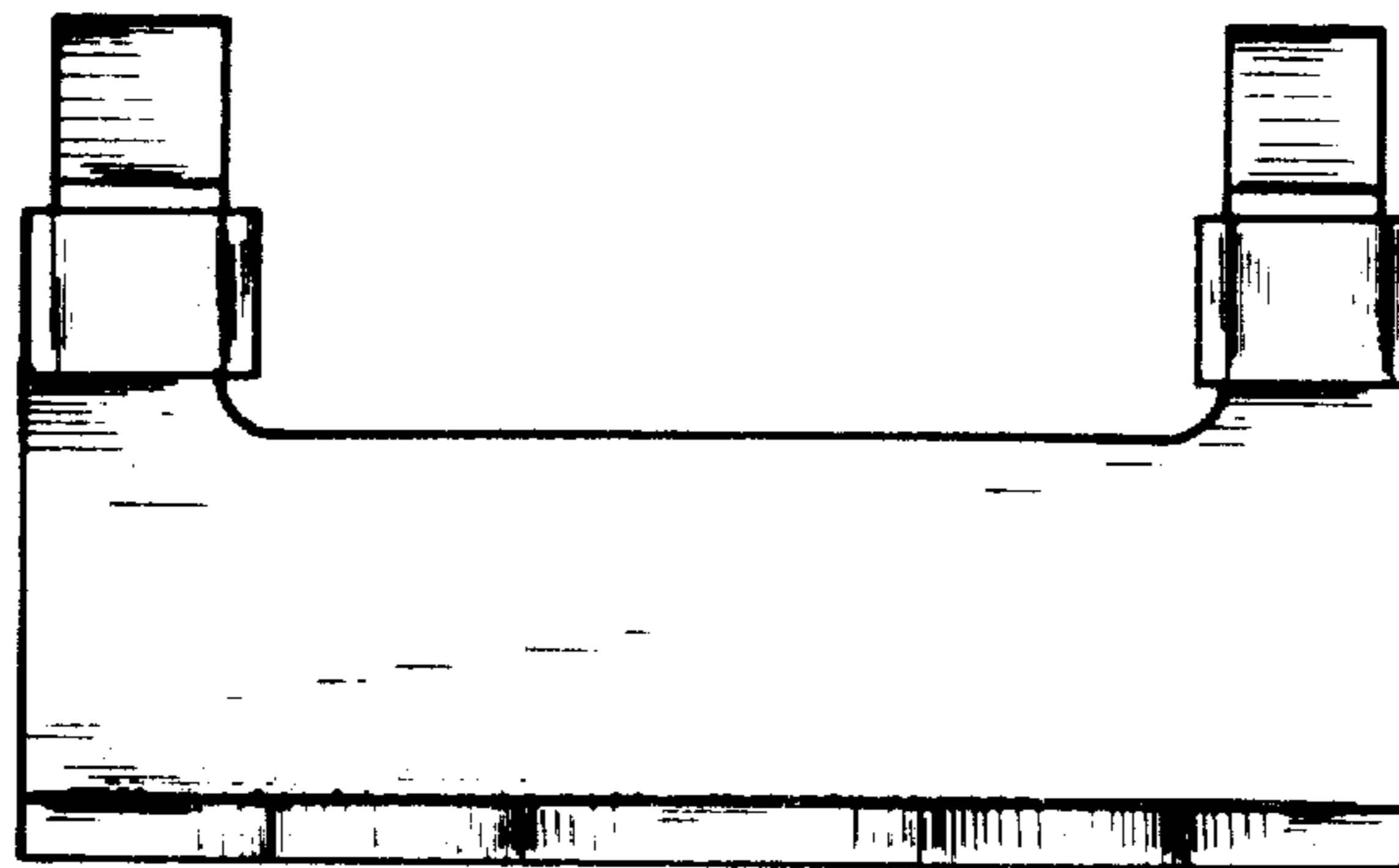




FIG. 1

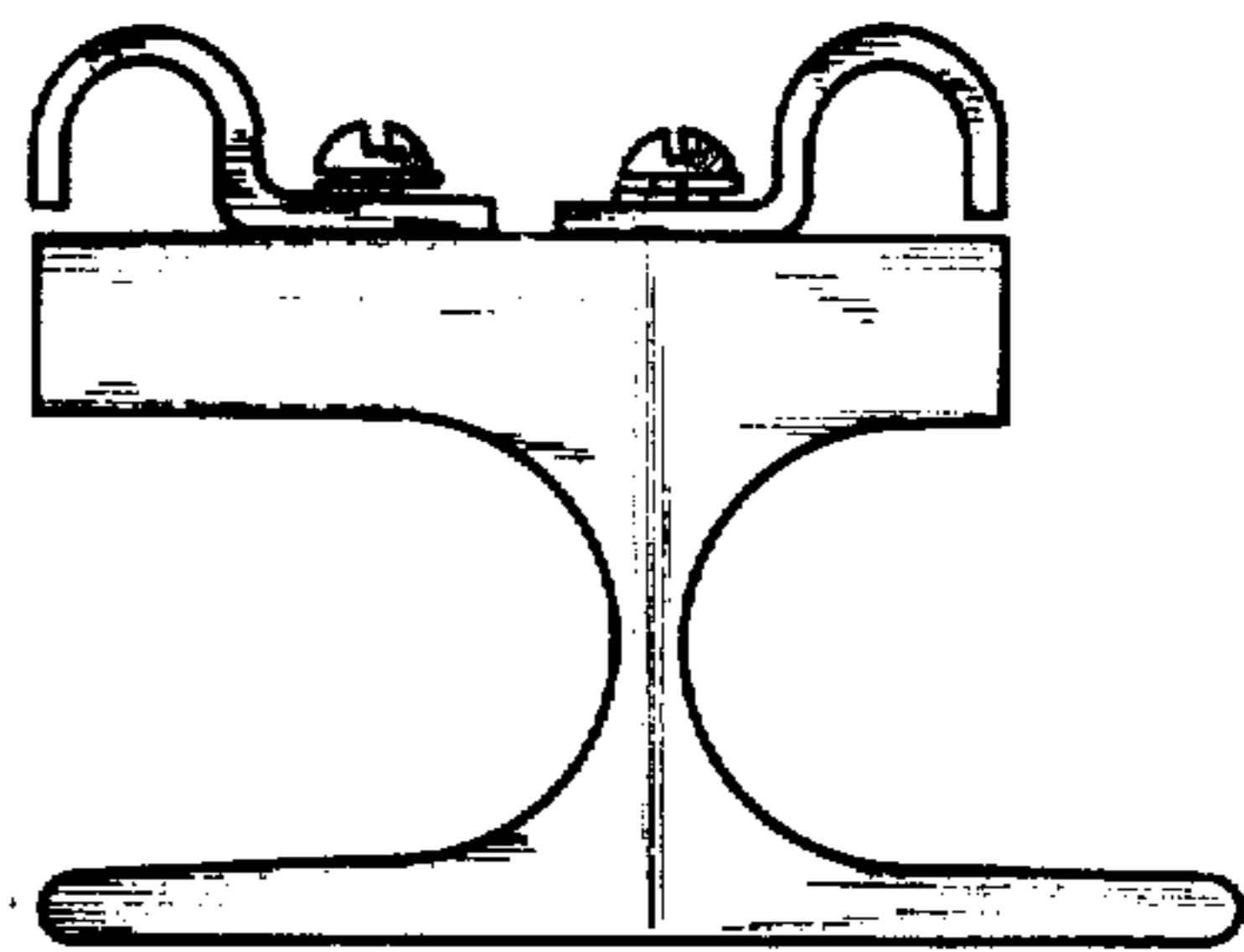


FIG. 2

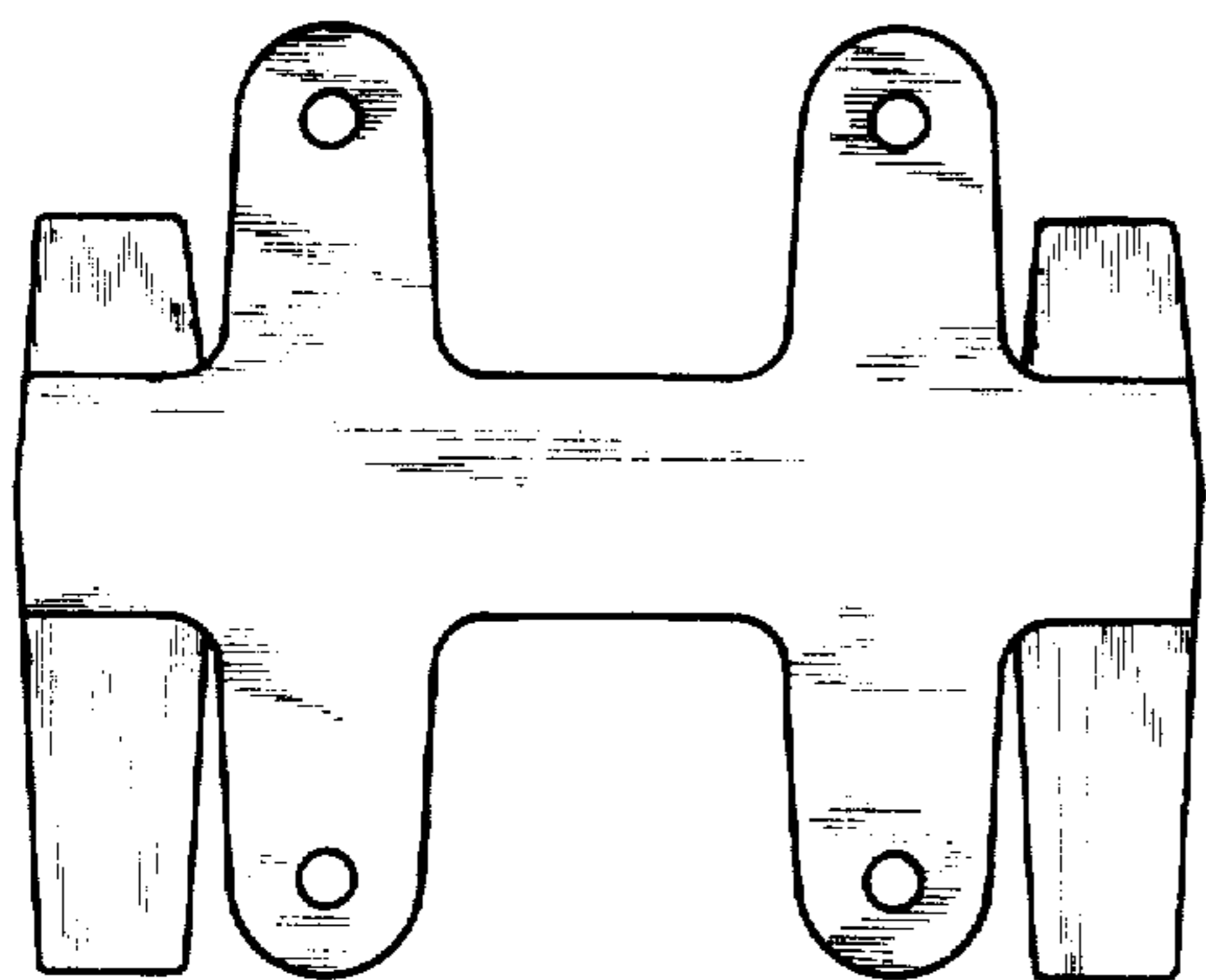


FIG. 3

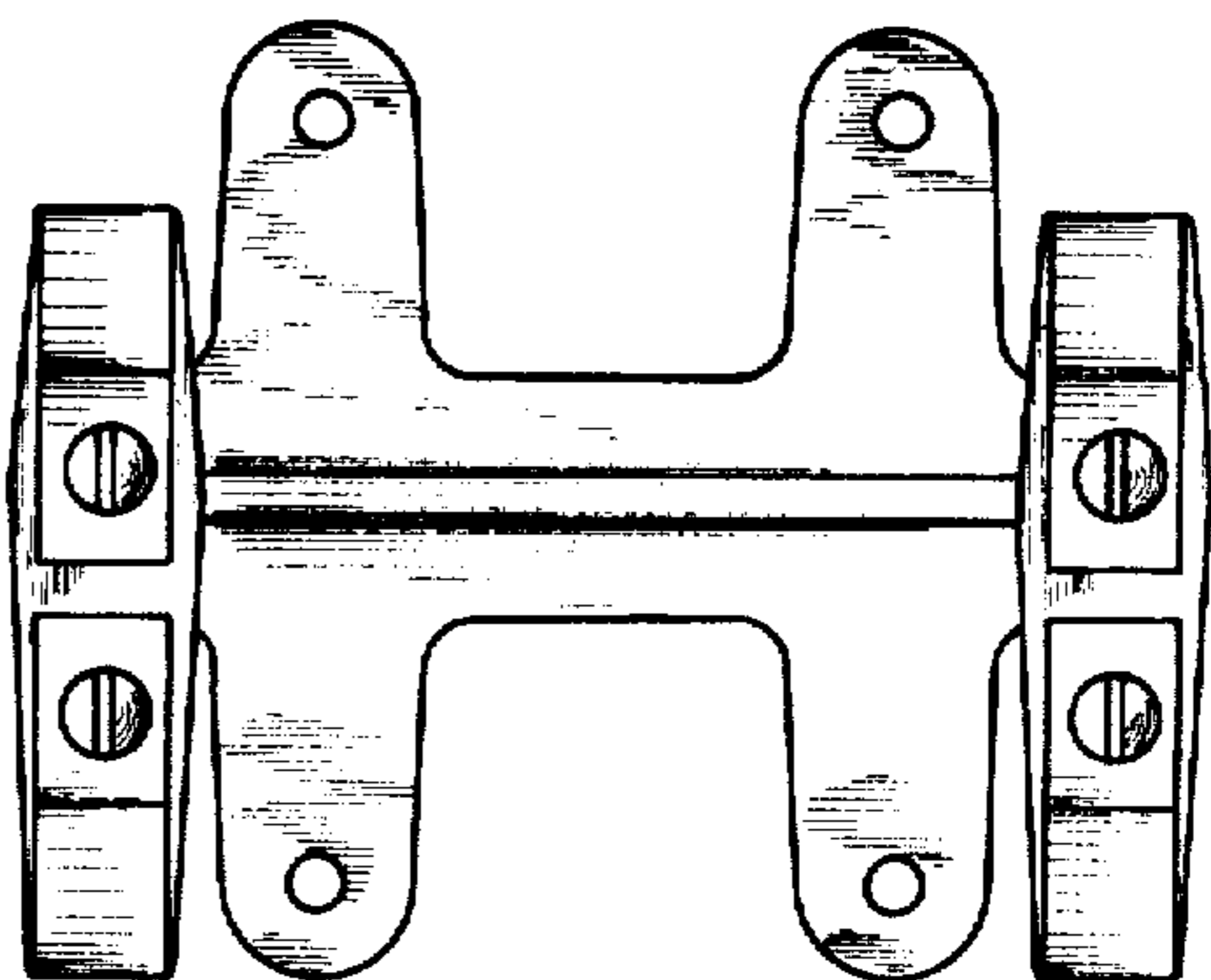


FIG. 4