

[54] TOOL ATTACHMENT

[76] Inventor: Peter Krosunger, 19 Clinton St., Port Jefferson Station, N.Y. 11776

[**] Term: 14 Years

[21] Appl. No.: 135,075

[22] Filed: Mar. 28, 1980

[51] Int. Cl. D8-02

[52] U.S. Cl. D8/70

[58] Field of Search D8/70, 64; 30/377, 374, 30/392; 83/441, 441.1

[56] References Cited

U.S. PATENT DOCUMENTS

2,996,089	8/1961	McCarty	30/374
4,233,738	11/1980	Dedrick	30/374
4,235,017	11/1980	Yavis	30/377

Primary Examiner—James M. Gandy
Attorney, Agent, or Firm—Posnack, Roberts, Cohen & Spieccens

[57] CLAIM

The ornamental design for a tool attachment, substantially as shown and described.

DESCRIPTION

FIG. 1 is a bottom perspective view of a tool attachment showing my new design, it being understood that the broken lines are for illustrative purposes only; FIG. 2 is an enlarged bottom plan view thereof; FIG. 3 is an enlarged top plan view thereof; FIG. 4 is an enlarged side elevational view thereof, the opposite side being a mirror image of the side shown. FIG. 5 is an enlarged front elevational view thereof; and FIG. 6 is an enlarged rear elevational view thereof.

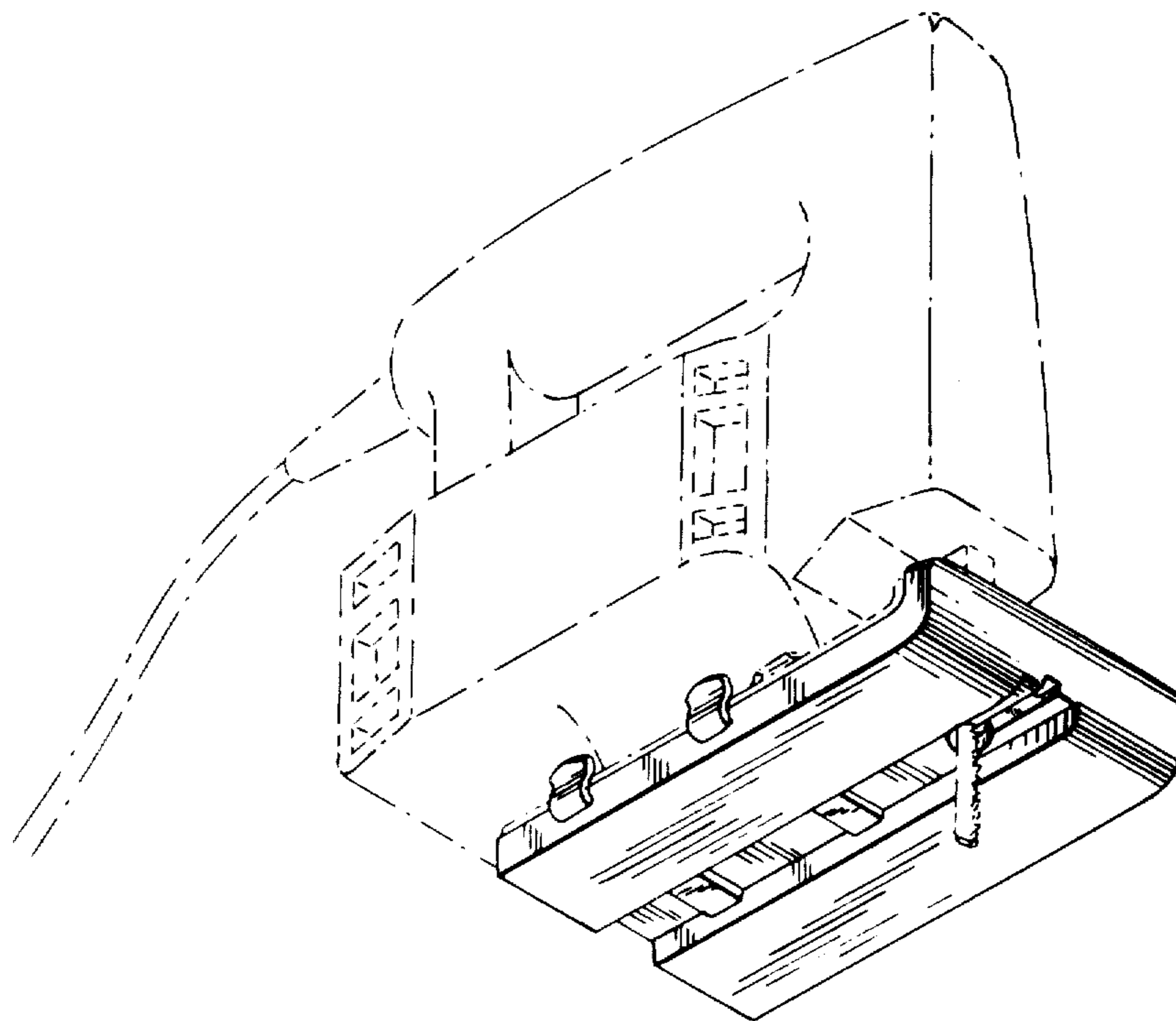


FIG. 1

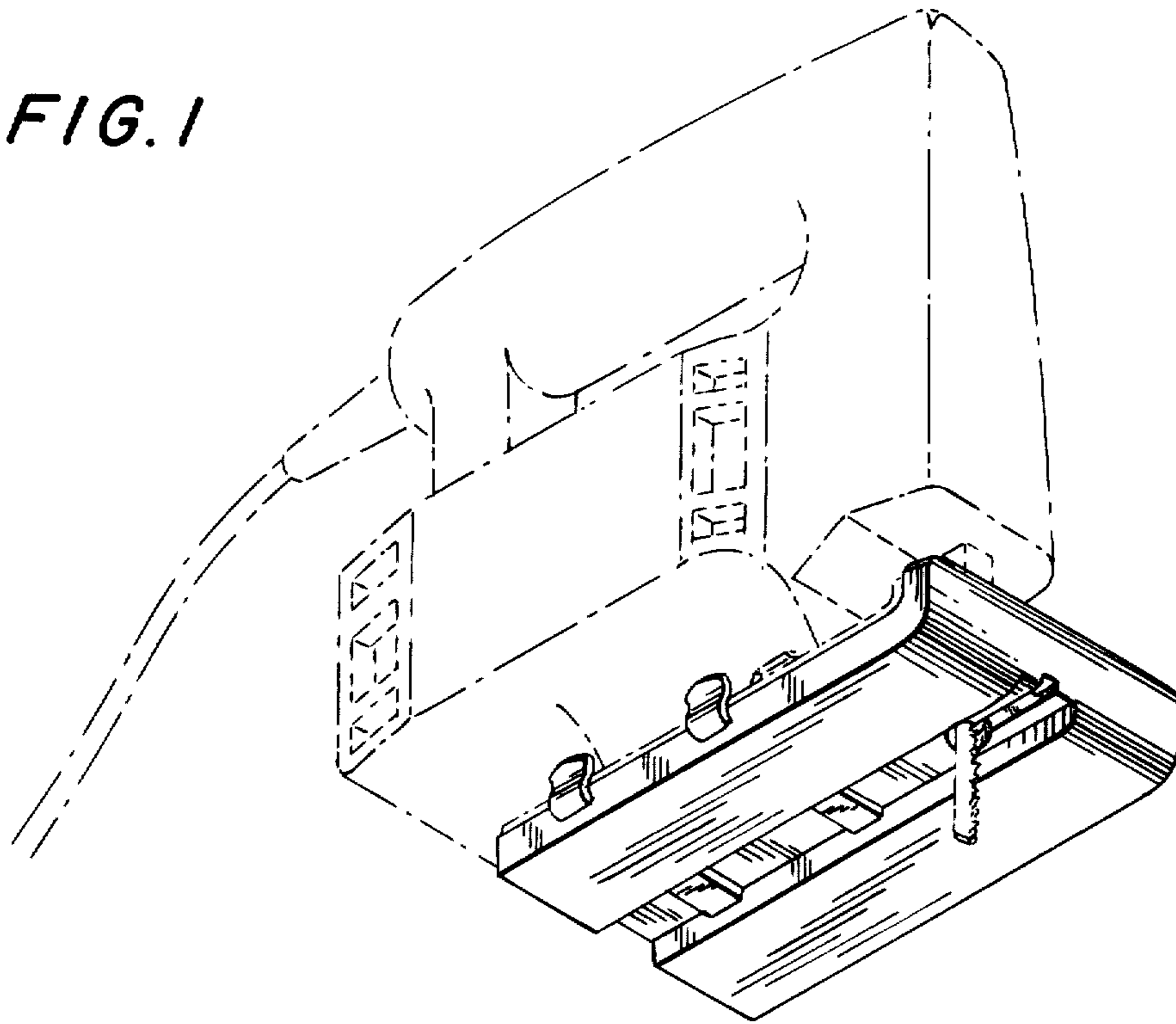


FIG. 2

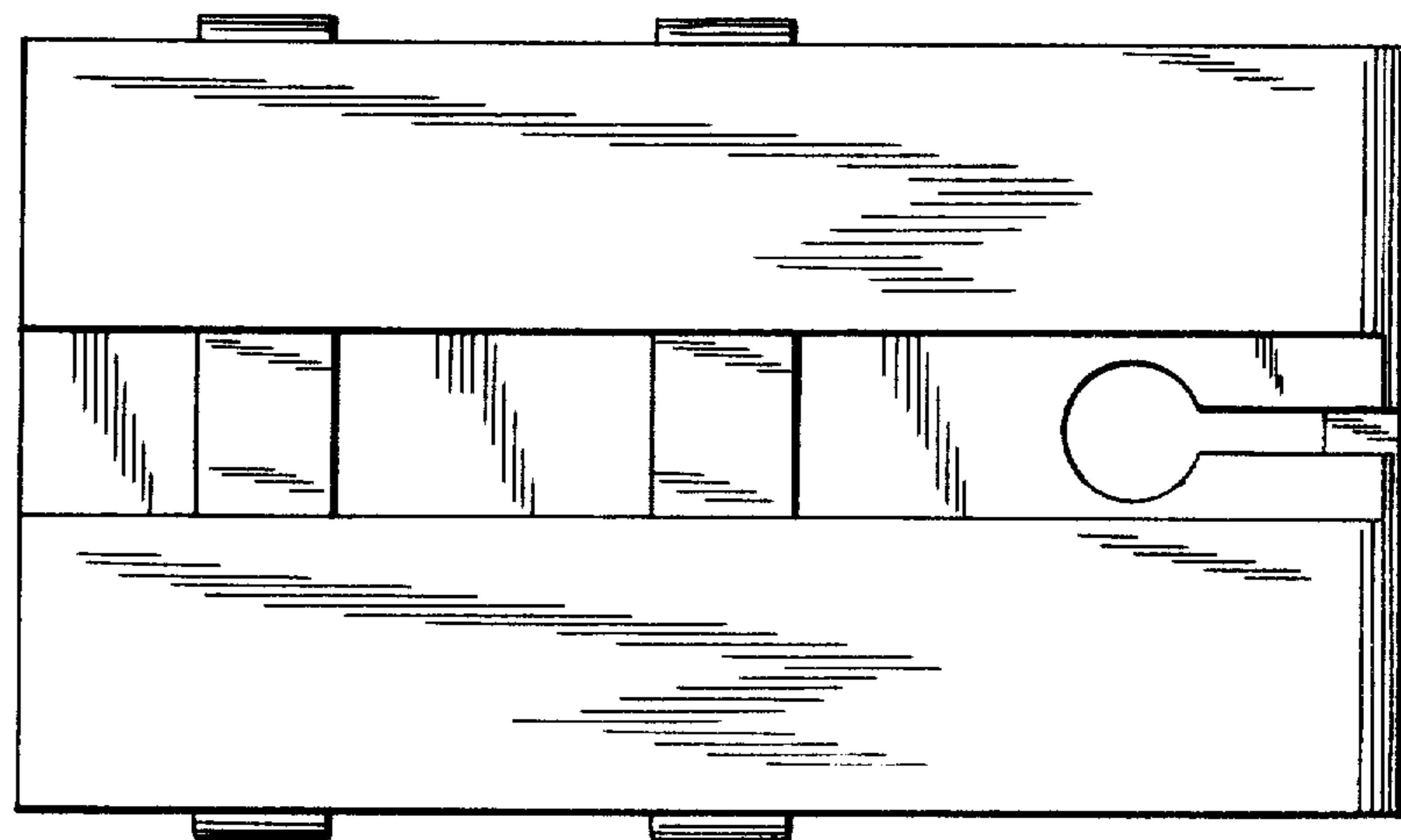


FIG. 3

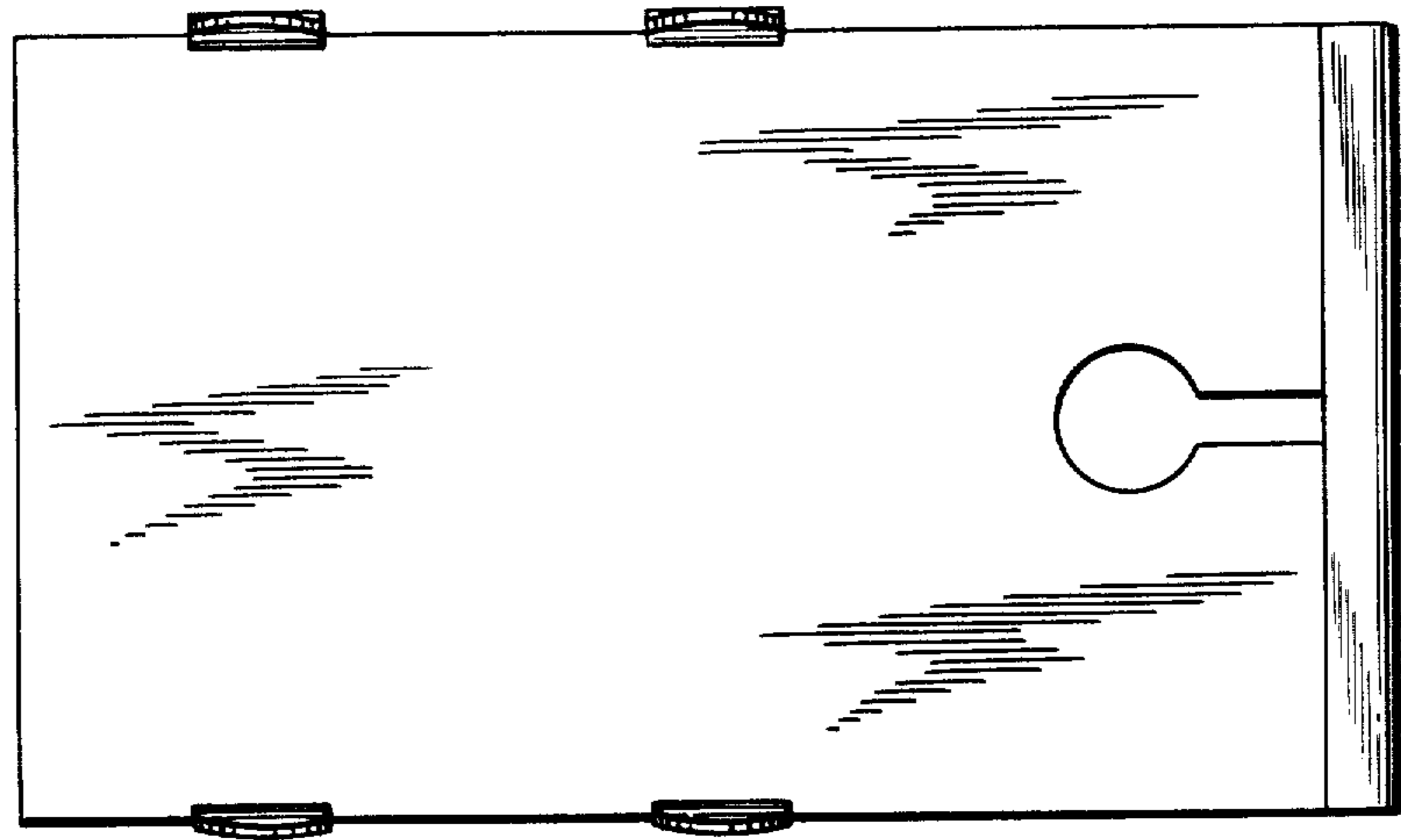


FIG. 4

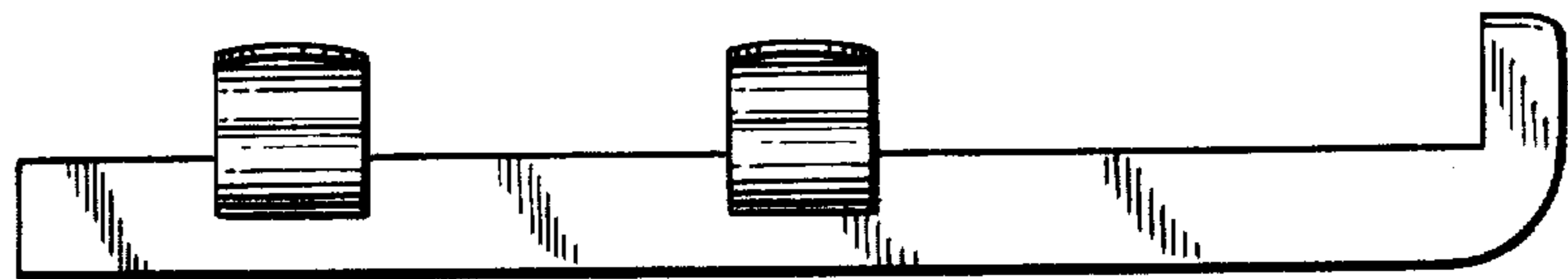


FIG. 5

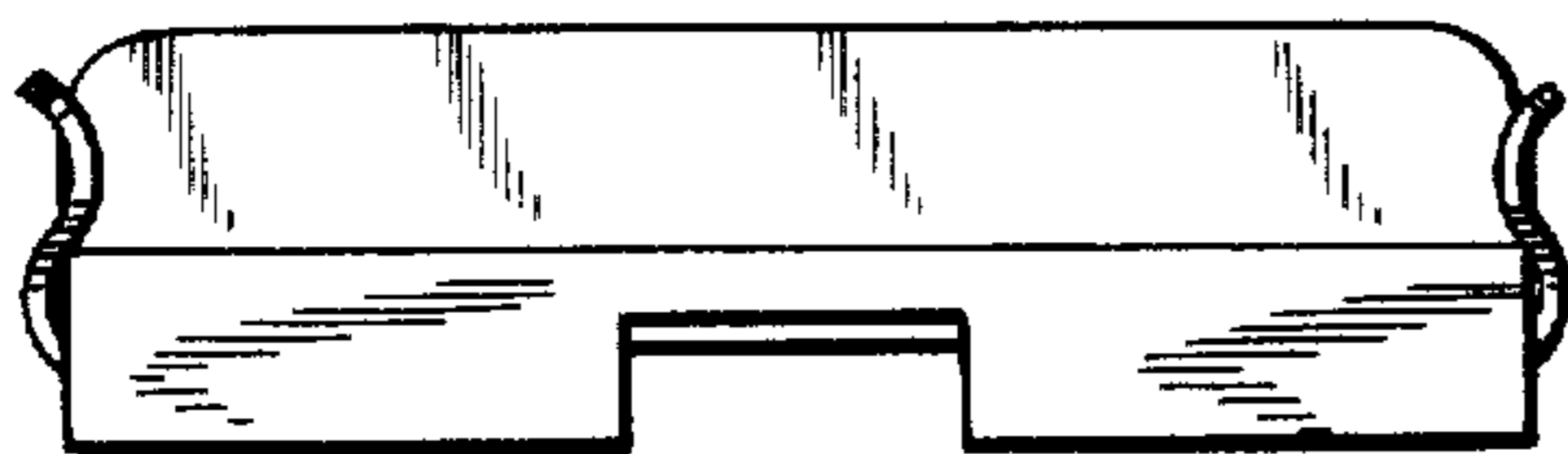
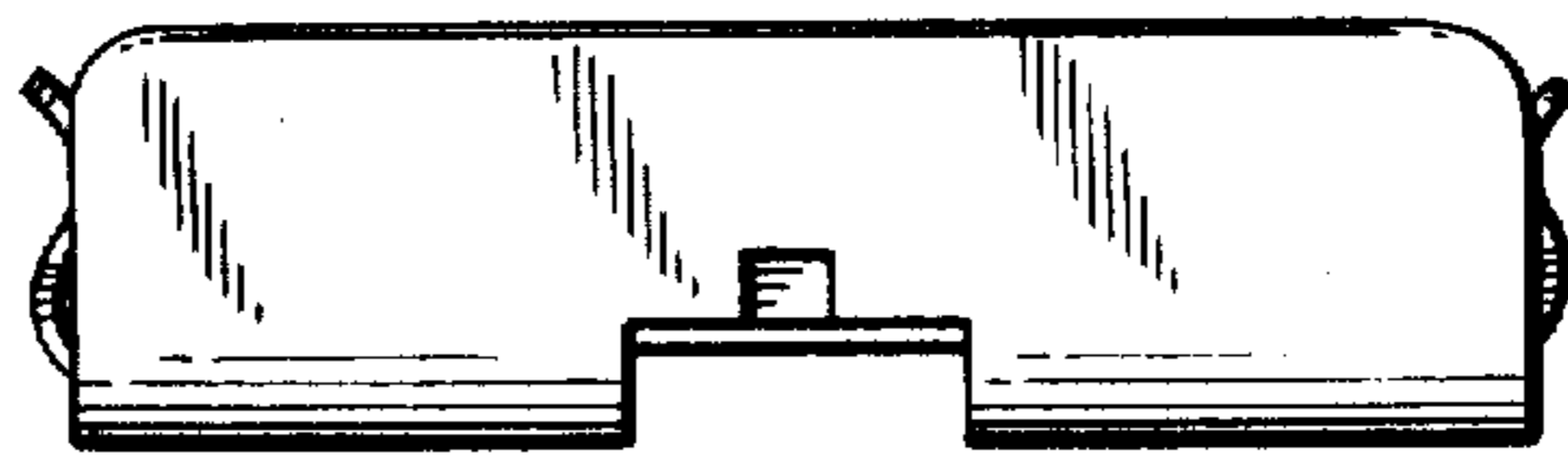


FIG. 6