

[54] KITCHEN SLICER

[76] Inventor: John S. Doyel, 404 W. 20th St., New York, N.Y. 10011

[**] Term: 14 Years

[21] Appl. No.: 949,532

[22] Filed: Oct. 10, 1978

[51] Int. Cl. D07-04

[52] U.S. Cl. D7/153; D7/47; D15/97

[58] Field of Search D7/106, 43, 153; D15/97, 95; 83/105, 420, 699

[56] References Cited

U.S. PATENT DOCUMENTS

12,436	1/1906	Thompson	83/699
D. 148,703	2/1948	Ingram et al.	D7/153
D. 249,044	8/1978	Popeil	D15/97
2,814,113	11/1957	Morlacchi	D7/43 X

OTHER PUBLICATIONS

Discovery House, Winter 1976 Cat., p. 48, Mac Kitchen Helper #1300, top panel.

Helen Gallagher-Foster House Cat., p. 7-Oct., 1978, "Wonder Slicer/Grater" #X62075C, 2nd panel down from top right.

Primary Examiner—Winifred E. Herrmann
Attorney, Agent, or Firm—Cooper, Dunham, Clark, Griffin & Moran

[57] CLAIM

The ornamental design for a kitchen slicer, as shown and described.

DESCRIPTION

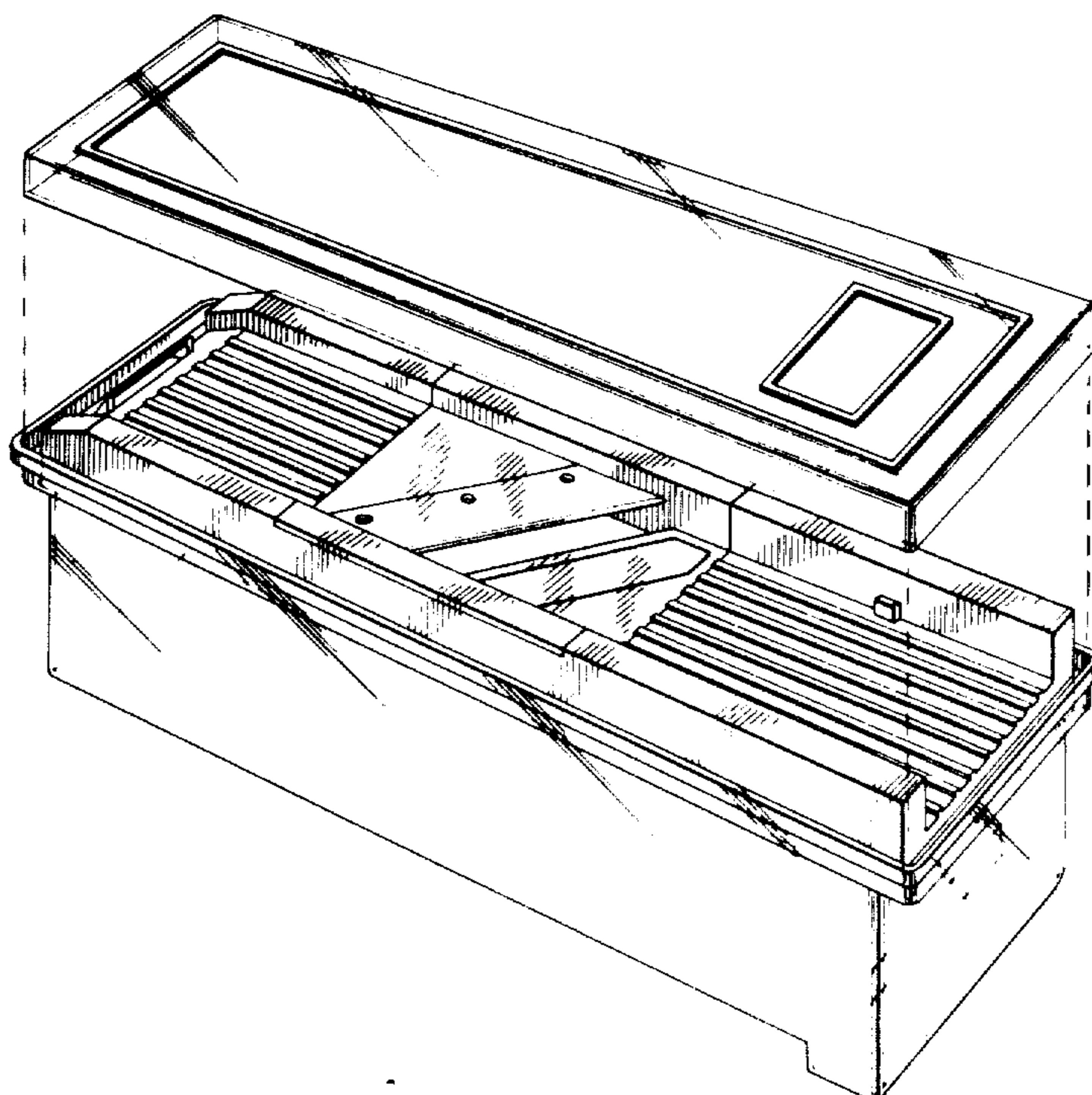
FIG. 1 is a partly exploded top perspective view of a kitchen slicer showing my new design.

FIG. 2 is a rear elevational view thereof.

FIG. 3 is a left side elevational view of FIG. 2.

FIG. 4 is a right side elevational view of FIG. 2.

FIG. 5 is a top plan view thereof taken on line 5—5 of FIG. 2, the cover being omitted for convenience of illustration.



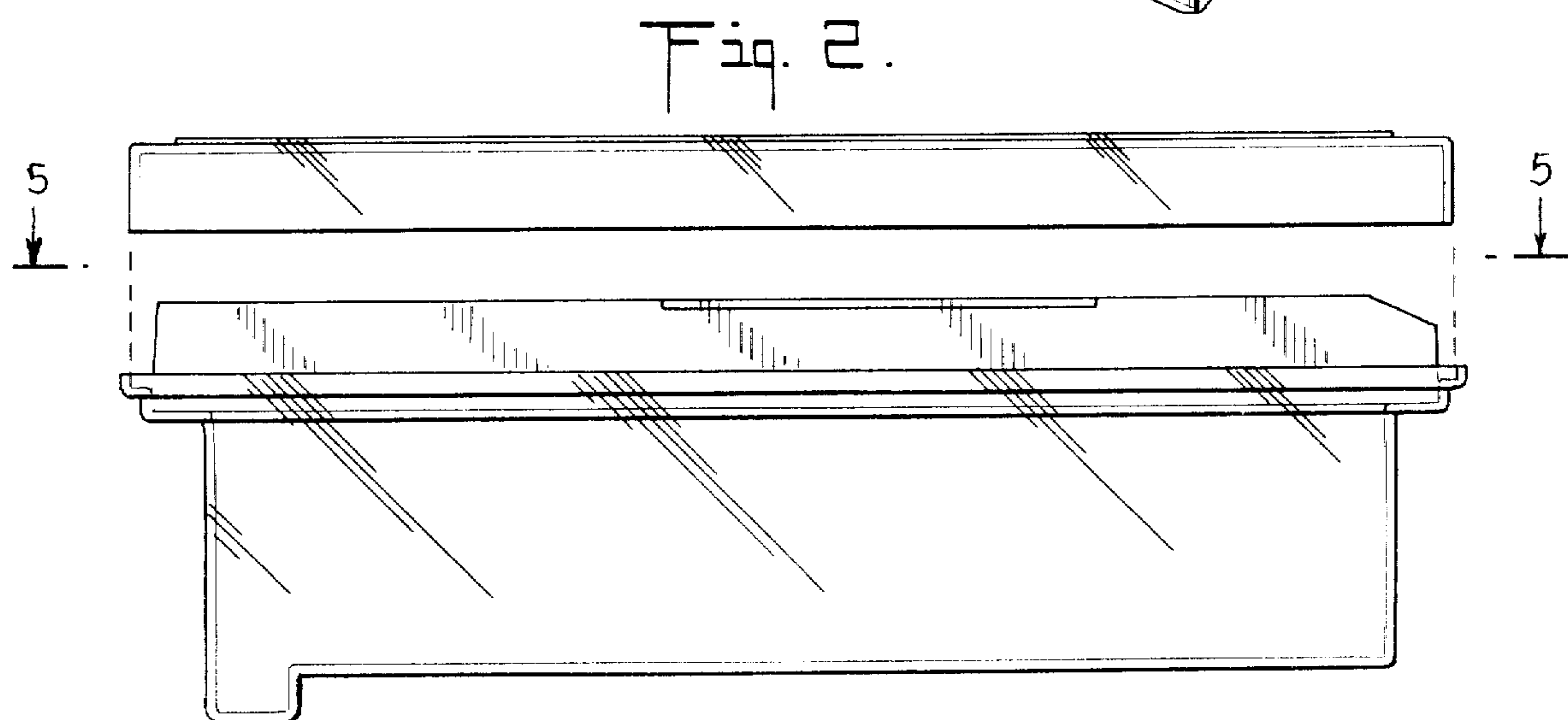
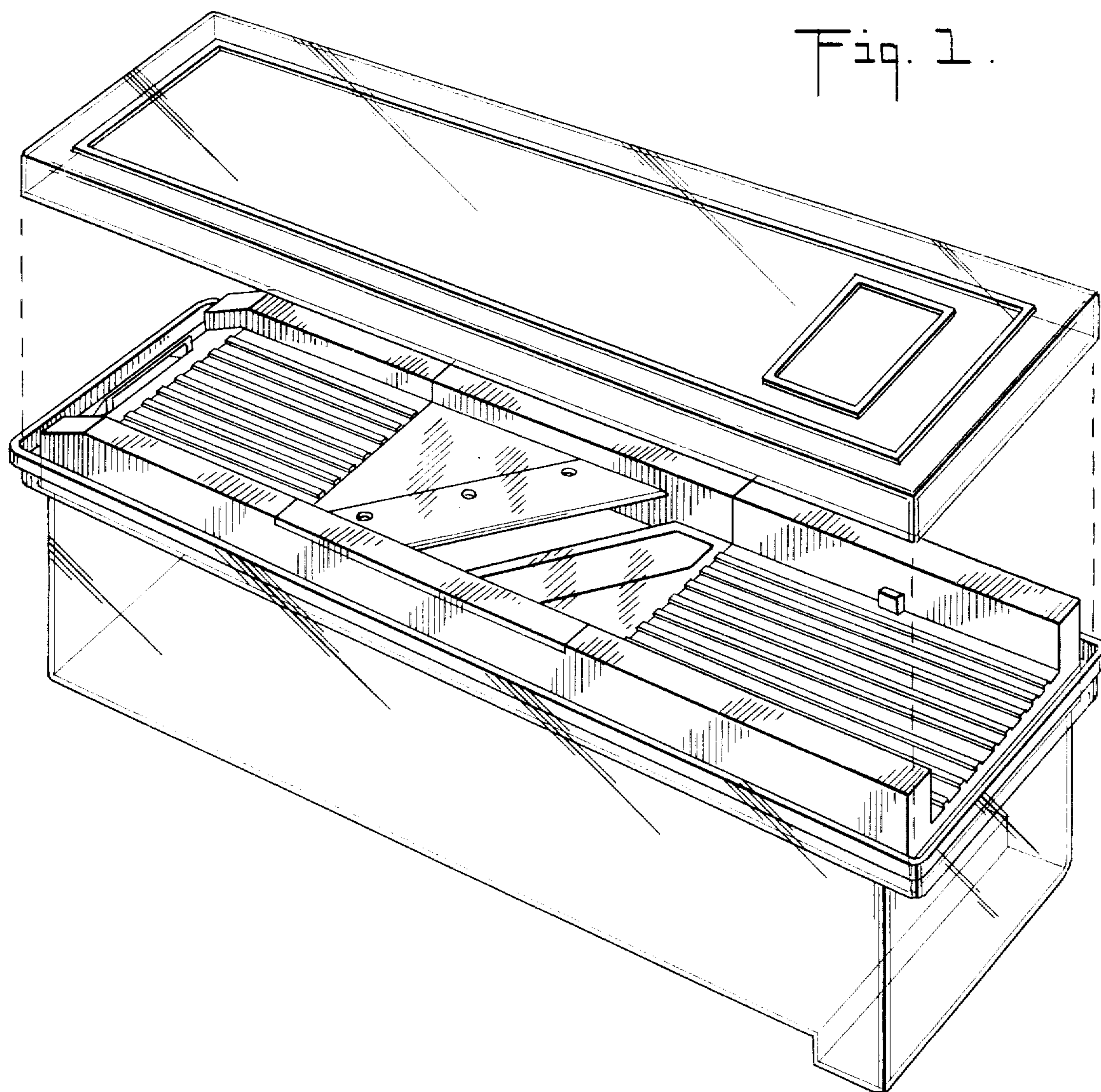


Fig. 3.

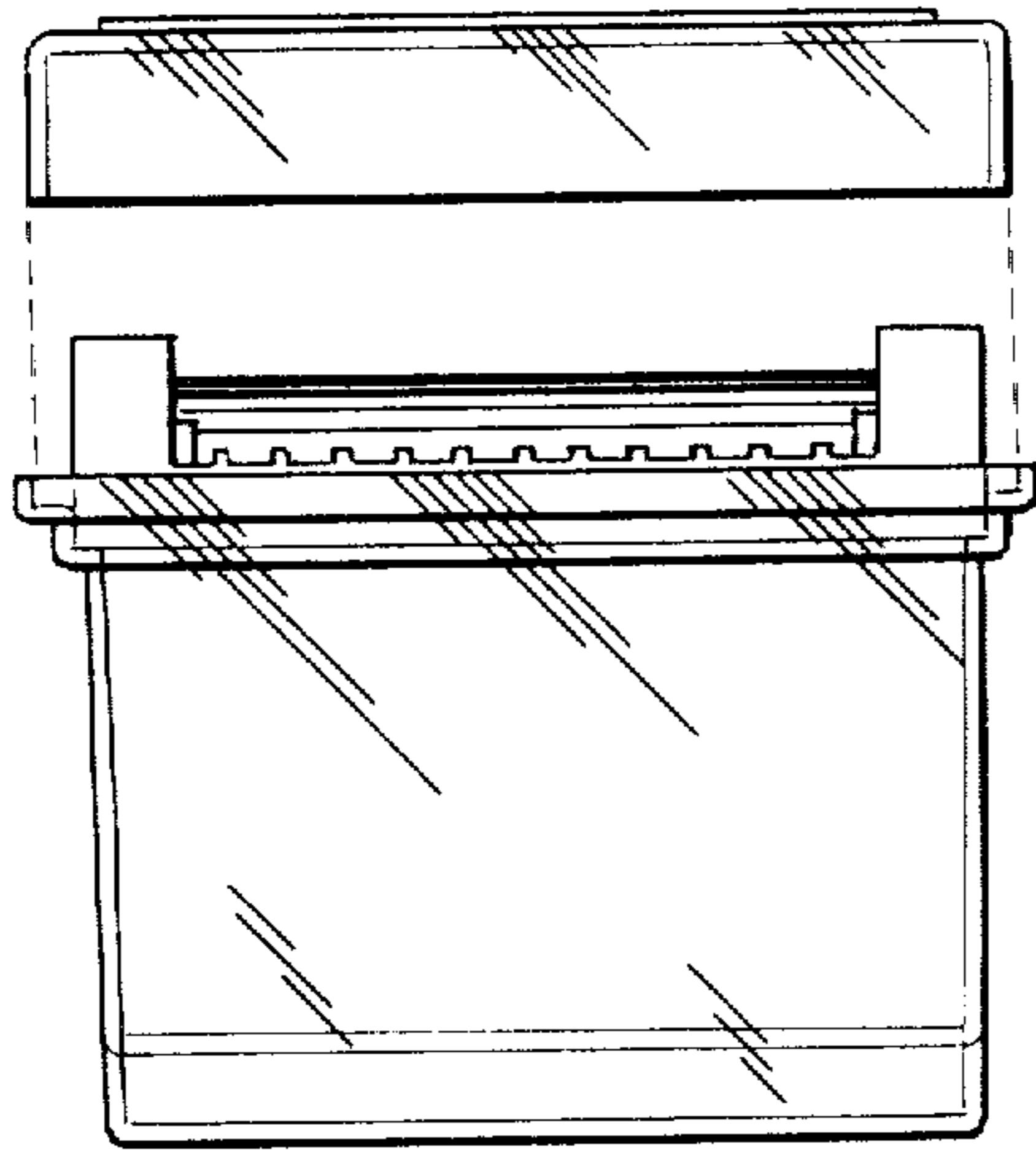


Fig. 4.

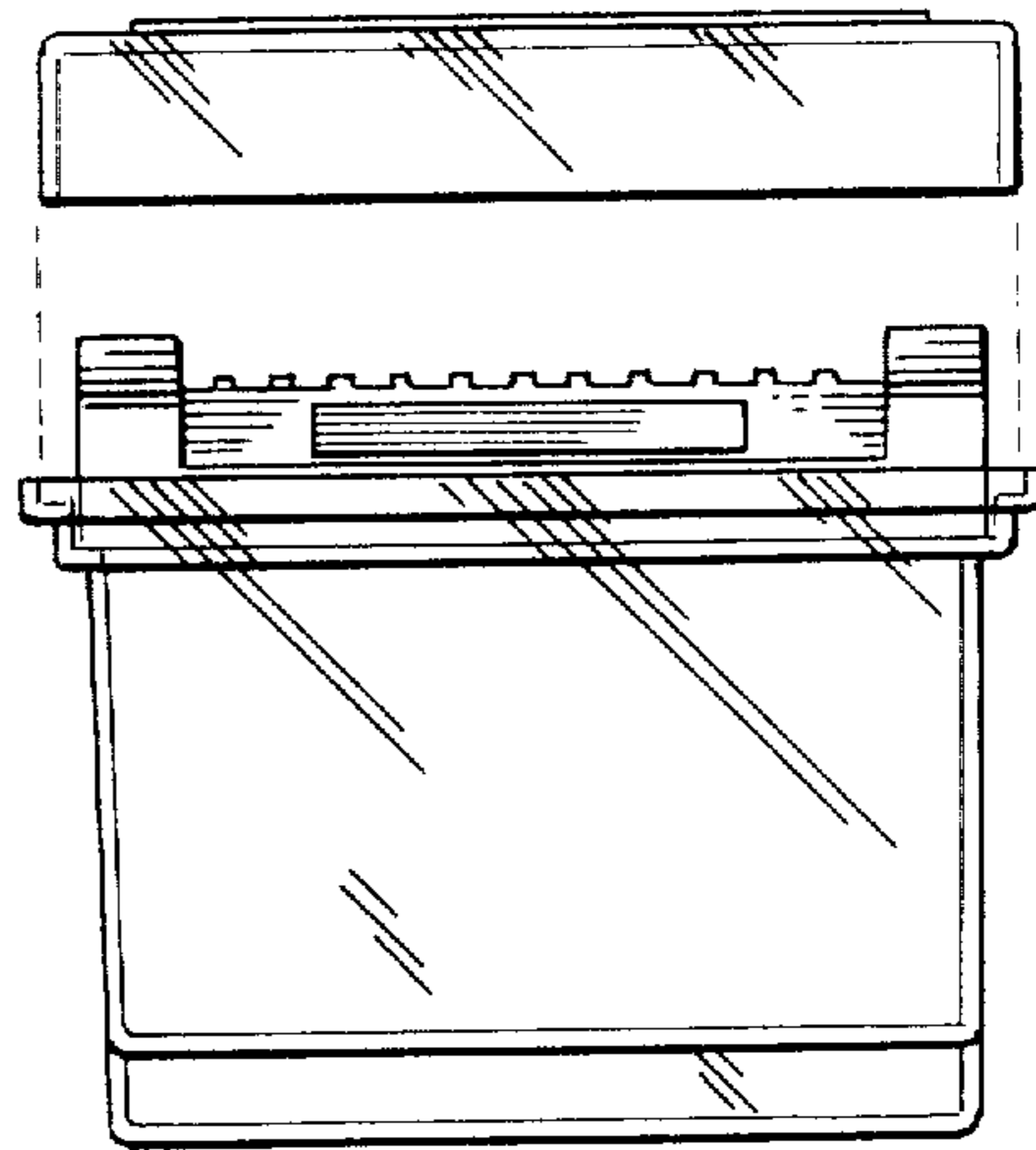


Fig. 5.

