

[54] COVER FOR FOOD DISH

[75] Inventor: James F. Pomroy, St. Paul, Minn.

[73] Assignee: Plastics, Inc., St. Paul, Minn.

[\*\*] Term: 14 Years

[21] Appl. No.: 841,691

[22] Filed: Oct. 13, 1977

[51] Int. Cl. .... D07—01

[52] U.S. Cl. .... D7/40; D9/435

[58] Field of Search ..... D7/131, 16, 18, 40,  
D7/3, 37, 1, 76, 84, 83; D9/242, 219, 240, 237,  
222, 254

D. 195,375 6/1963 Bostrom ..... D9/219

D. 216,214 12/1969 Daenen ..... D7/84

D. 228,603 10/1973 Swett et al. .... D7/131

D. 246,289 11/1977 Boucher ..... D7/76 X

OTHER PUBLICATIONS

*Modern Packaging*, Jun. 1961, p. 89, J.E. Plastics Mfg. Corp. Adv., 2nd, Row, Left Tray.

Primary Examiner—Winifred E. Herrmann  
Attorney, Agent, or Firm—Wicks & Nemer

[57] CLAIM

The ornamental design for a cover for food dish, as shown.

DESCRIPTION

FIG. 1 is a top plan view of a cover for food dish embodying my new design.

FIG. 2 is a bottom plan view.

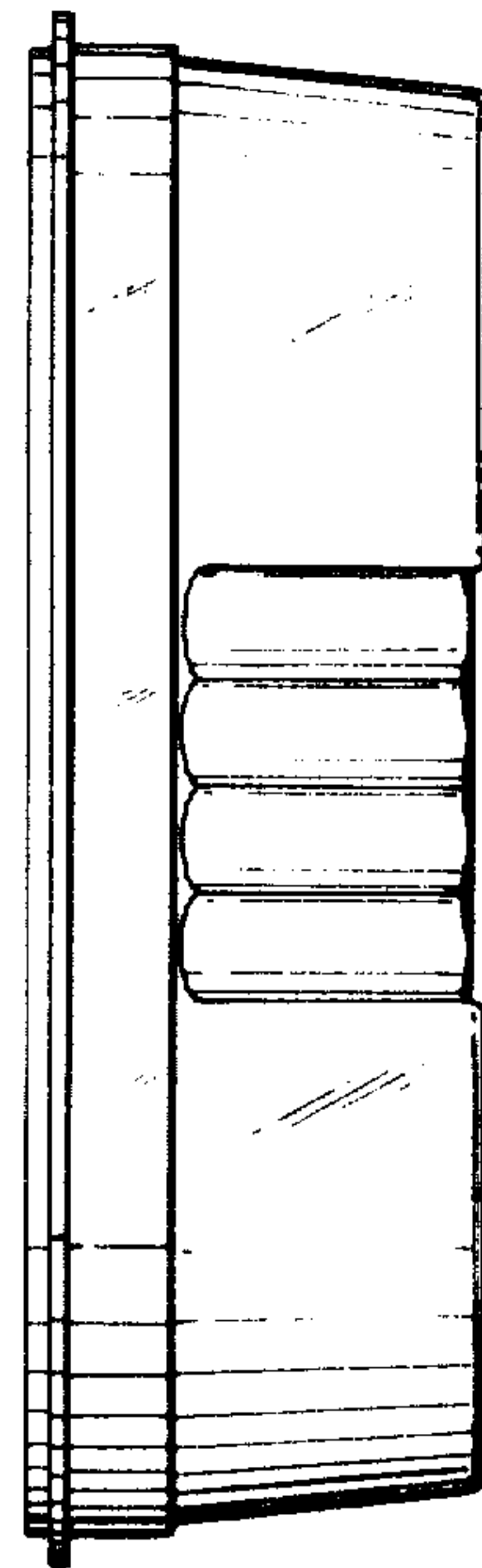
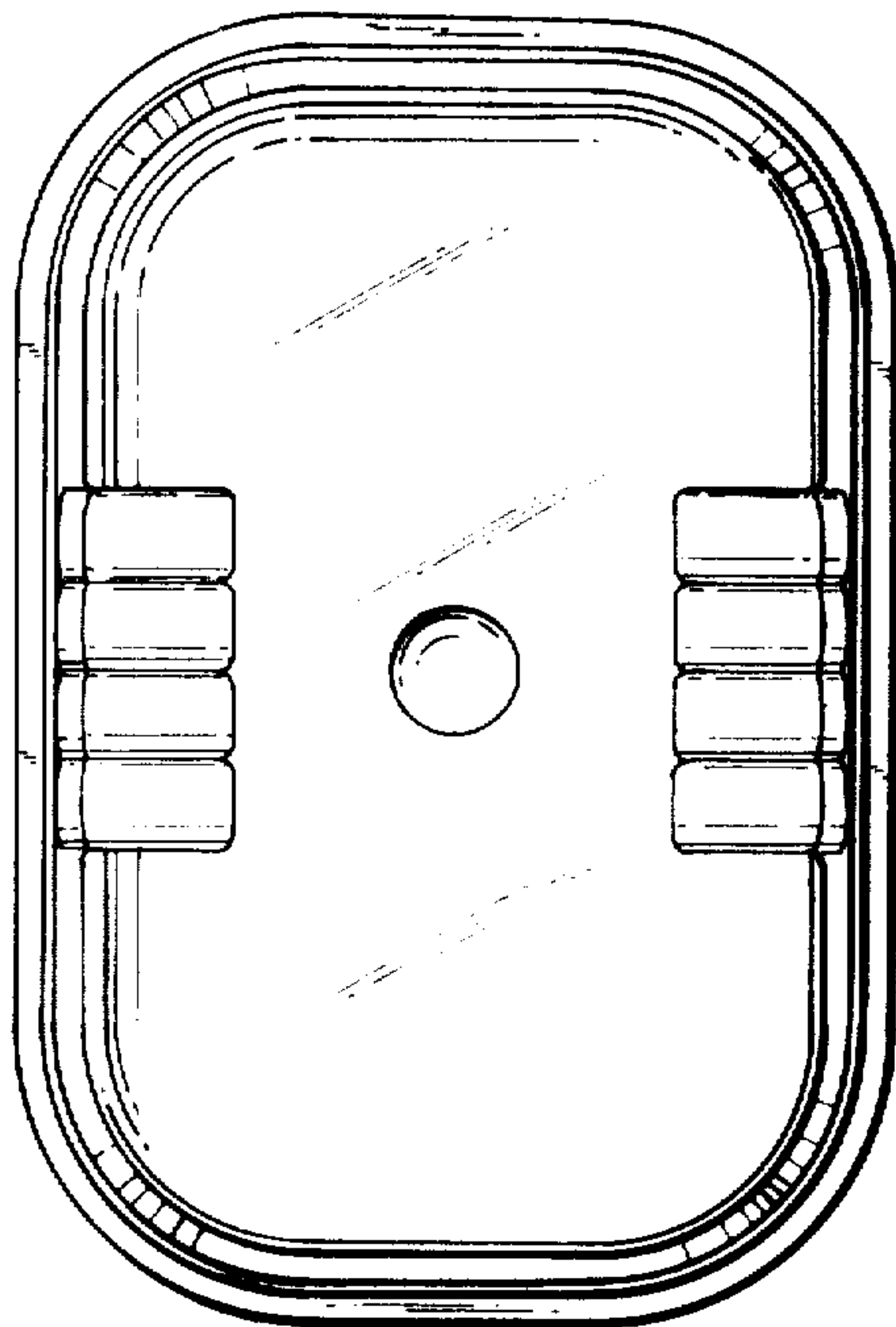
FIG. 3 is a side elevational view thereof.

FIG. 4 is an end view.

[56] References Cited  
U.S. PATENT DOCUMENTS

D. 113,571 2/1939 Reinecke et al. .... D7/37

D. 189,379 11/1960 Zebarth ..... D9/219



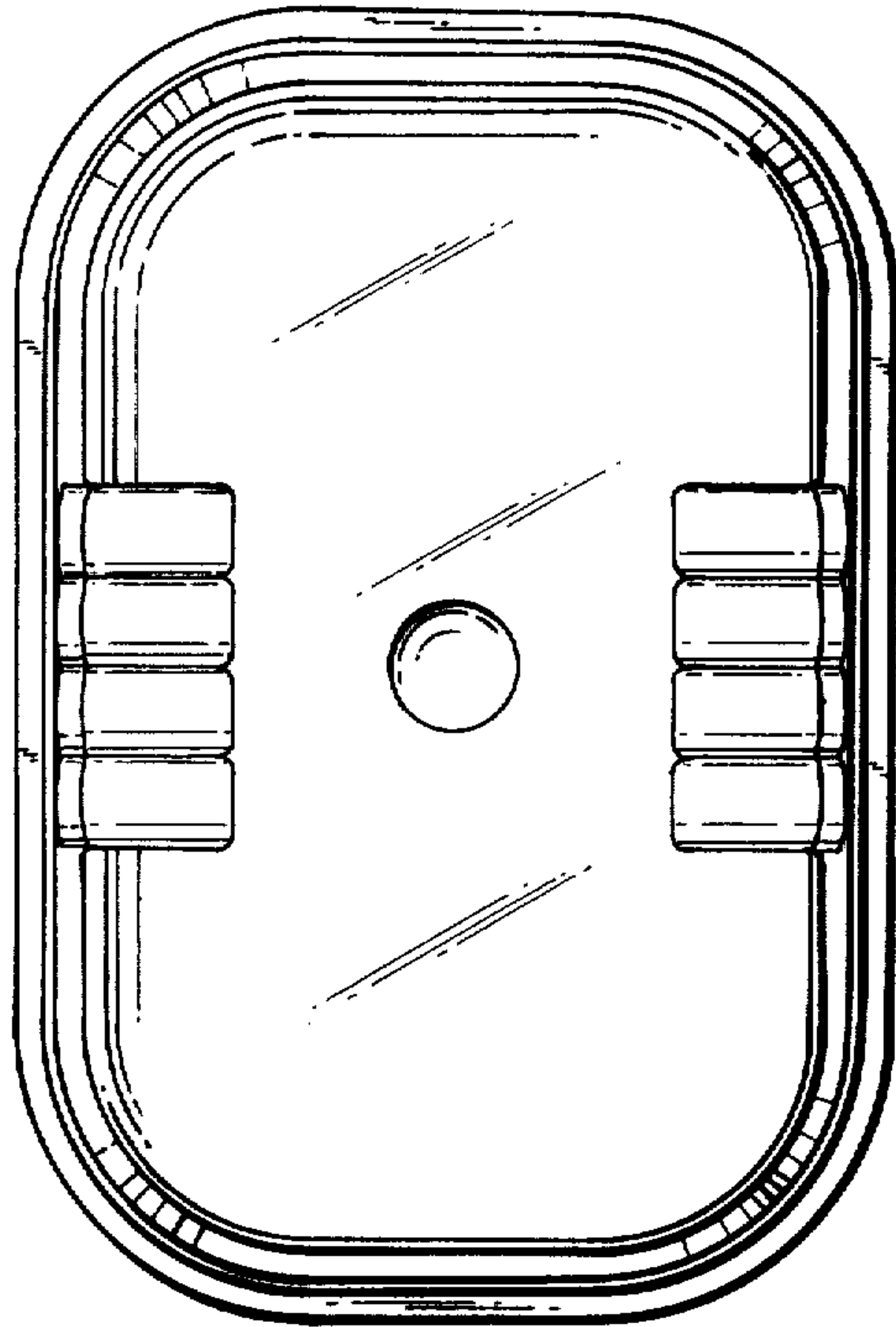


FIG. 1

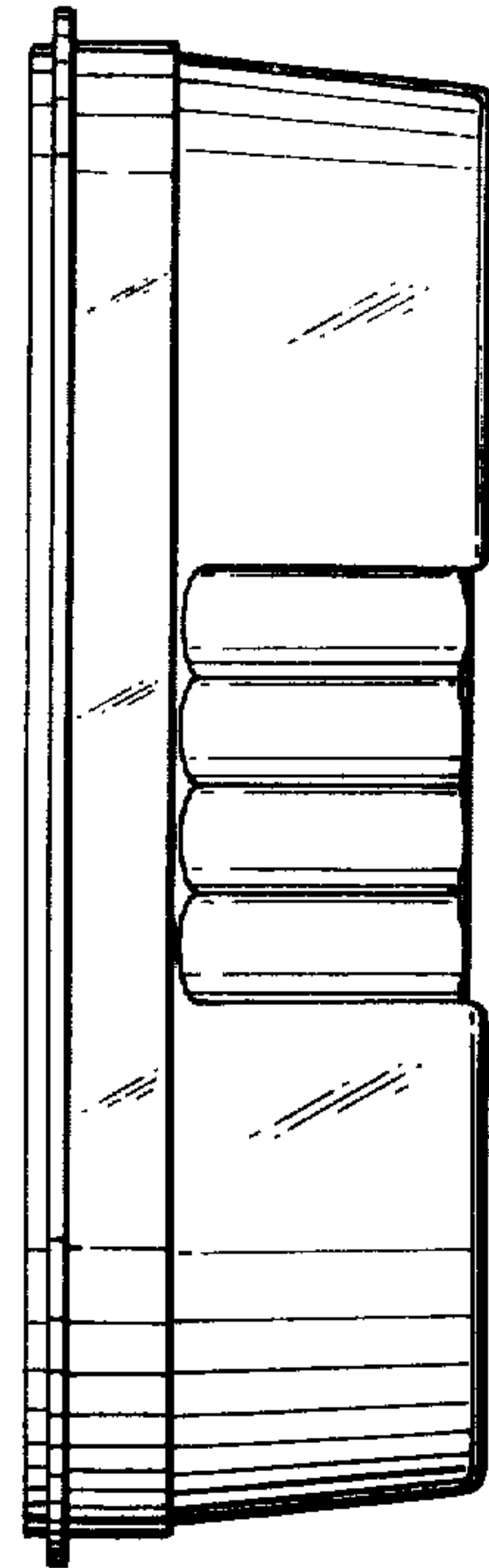


FIG. 3

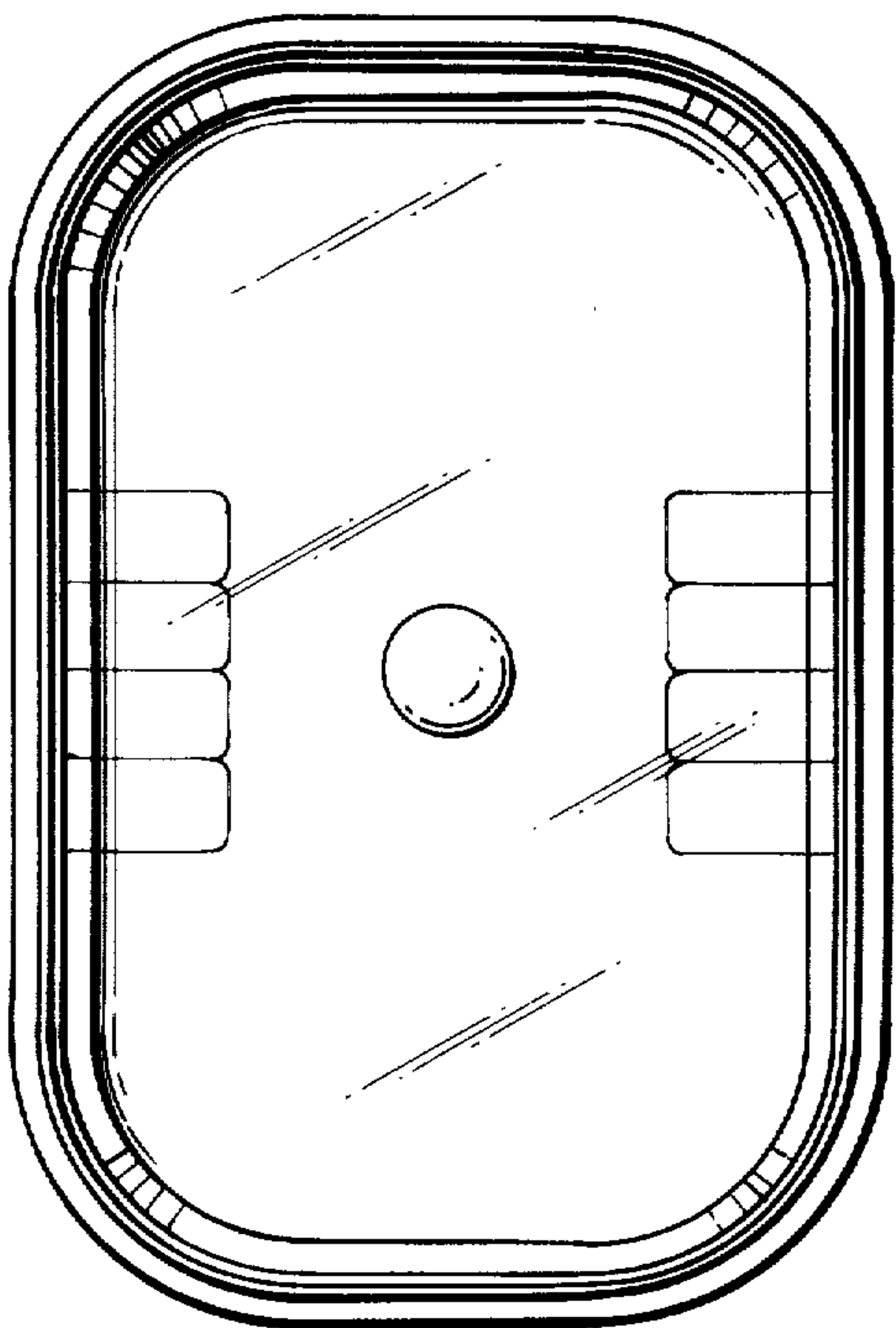


FIG. 2

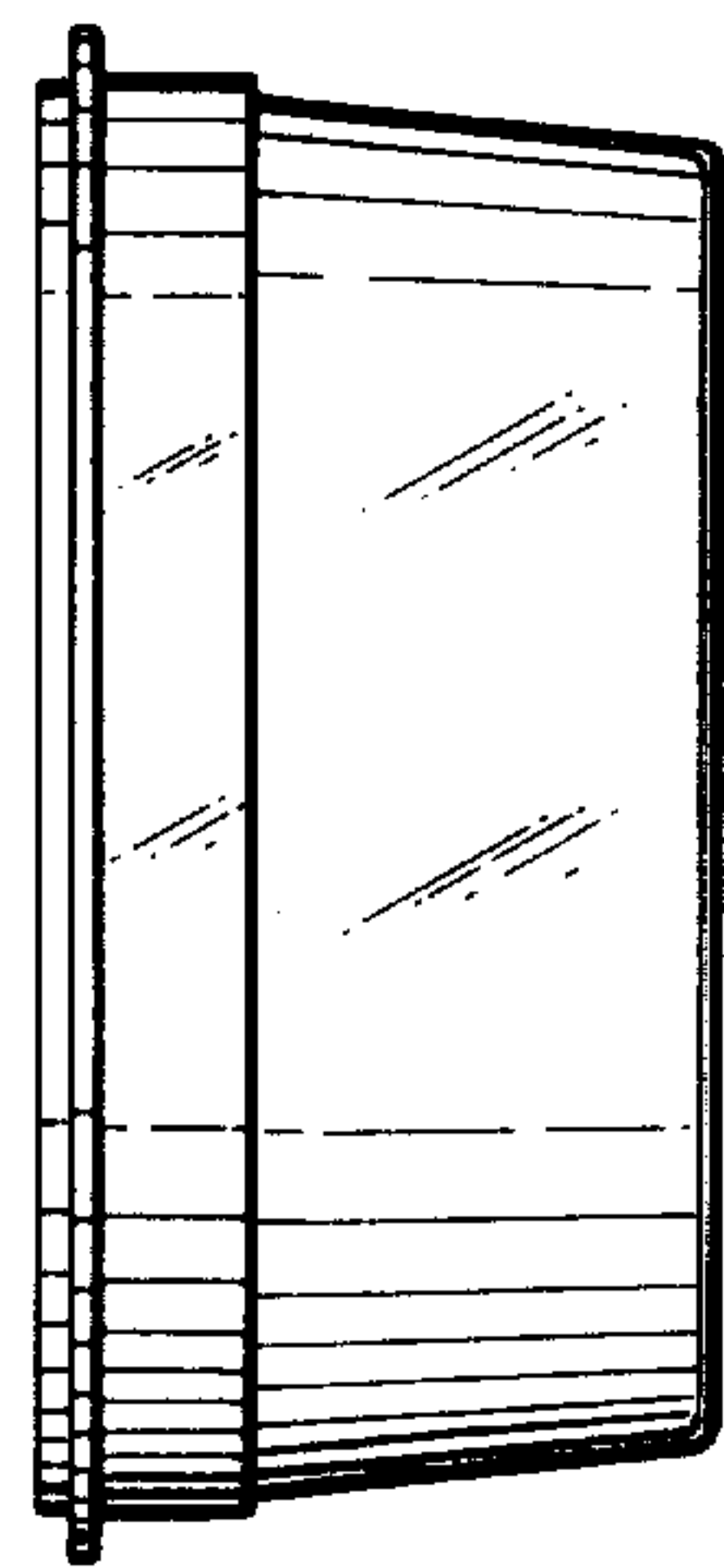


FIG. 4