

[54] BELT HANGER

[76] Inventor: Edward A. Jensen, Box 99, Salem, S. Dak. 57058

[**] Term: 14 Years

[21] Appl. No.: 144,254

[22] Filed: Apr. 28, 1980

[51] Int. Cl. D6-08

[52] U.S. Cl. D6/255; D6/247; D6/256

[58] Field of Search D6/113, 247-257; 211/113, 118, 119; 223/85, 87, 88, 91-96; 248/305, 306, 225.3 R

[56] References Cited

U.S. PATENT DOCUMENTS

D. 31,976 12/1899 Hogue D6/256

D. 153,032 3/1949 Por ter D6/256
2,419,879 4/1947 Blades 223/91
4,059,248 11/1977 Kuntz 248/225.3

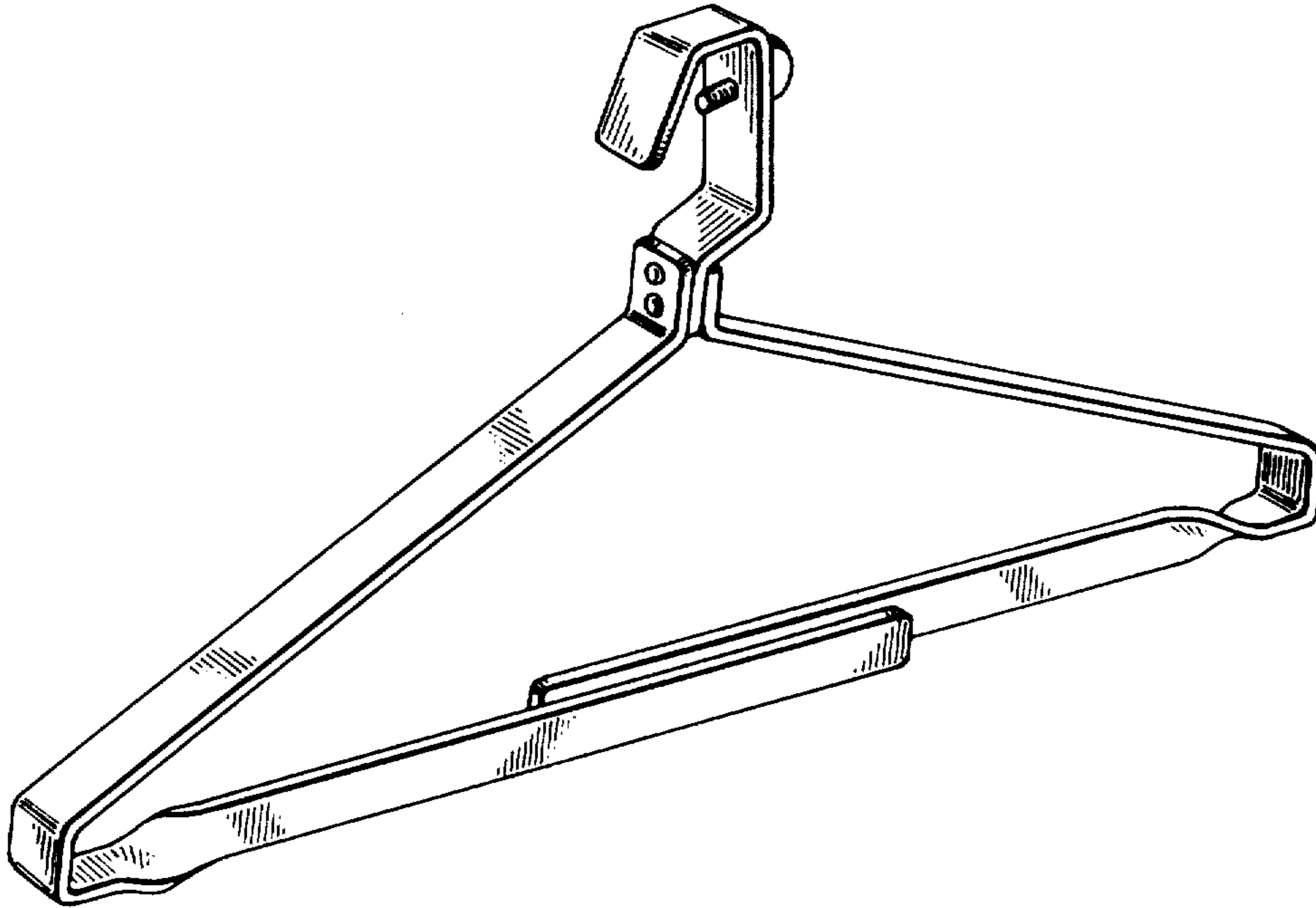
Primary Examiner—B. J. Bullock
Attorney, Agent, or Firm—Williamson, Bains, Moore & Hansen

[57] CLAIM

The ornamental design for a belt hanger, as shown and described.

DESCRIPTION

FIG. 1 is a front perspective view of a belt hanger showing my new design;
FIG. 2 is a rear view thereof;
FIG. 3 is an end view taken from the right of FIG. 1;
FIG. 4 is an end view taken from the left of FIG. 1;
FIG. 5 is a top view thereof;
FIG. 6 is a bottom view thereof.



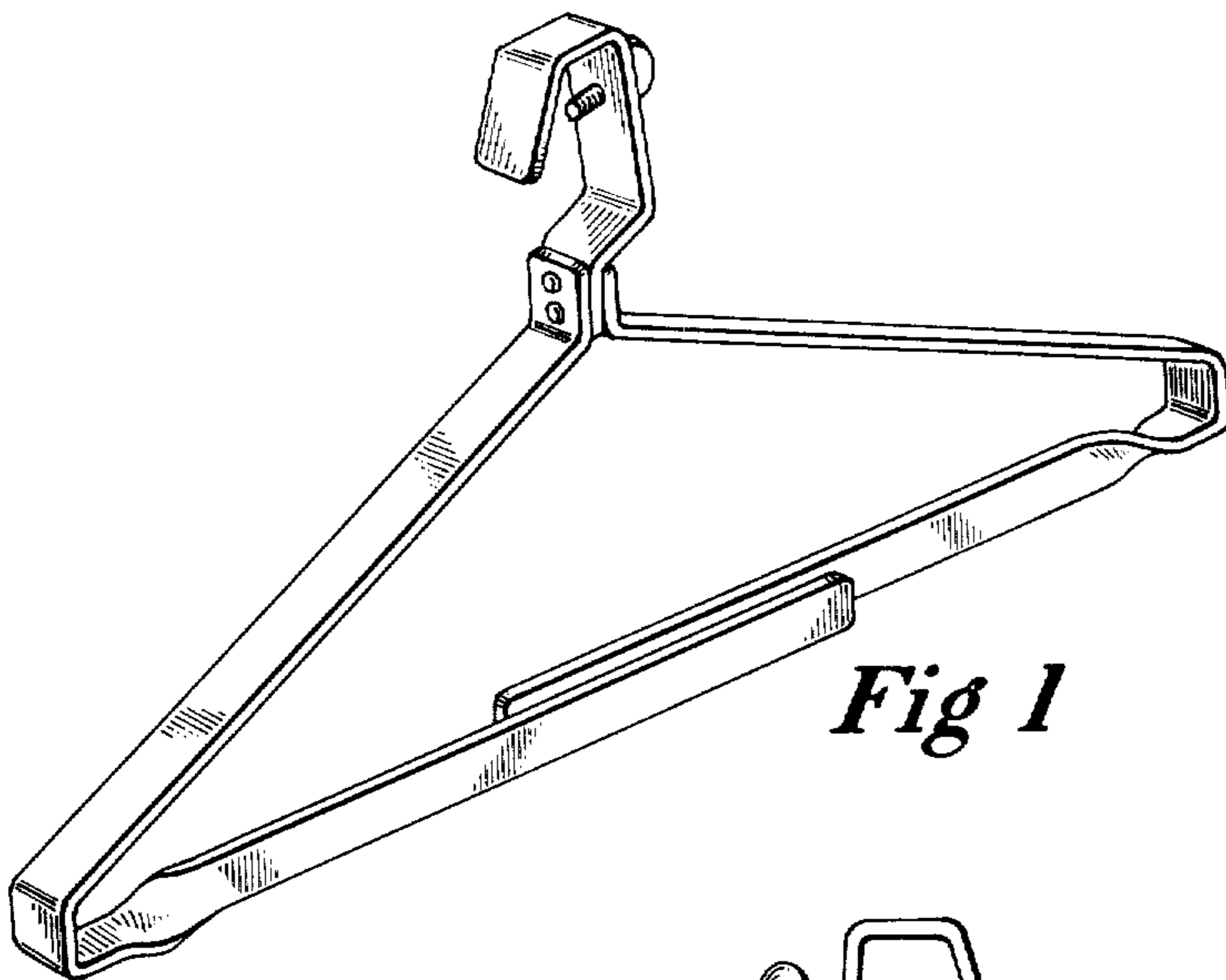


Fig 1



Fig 3



Fig 4

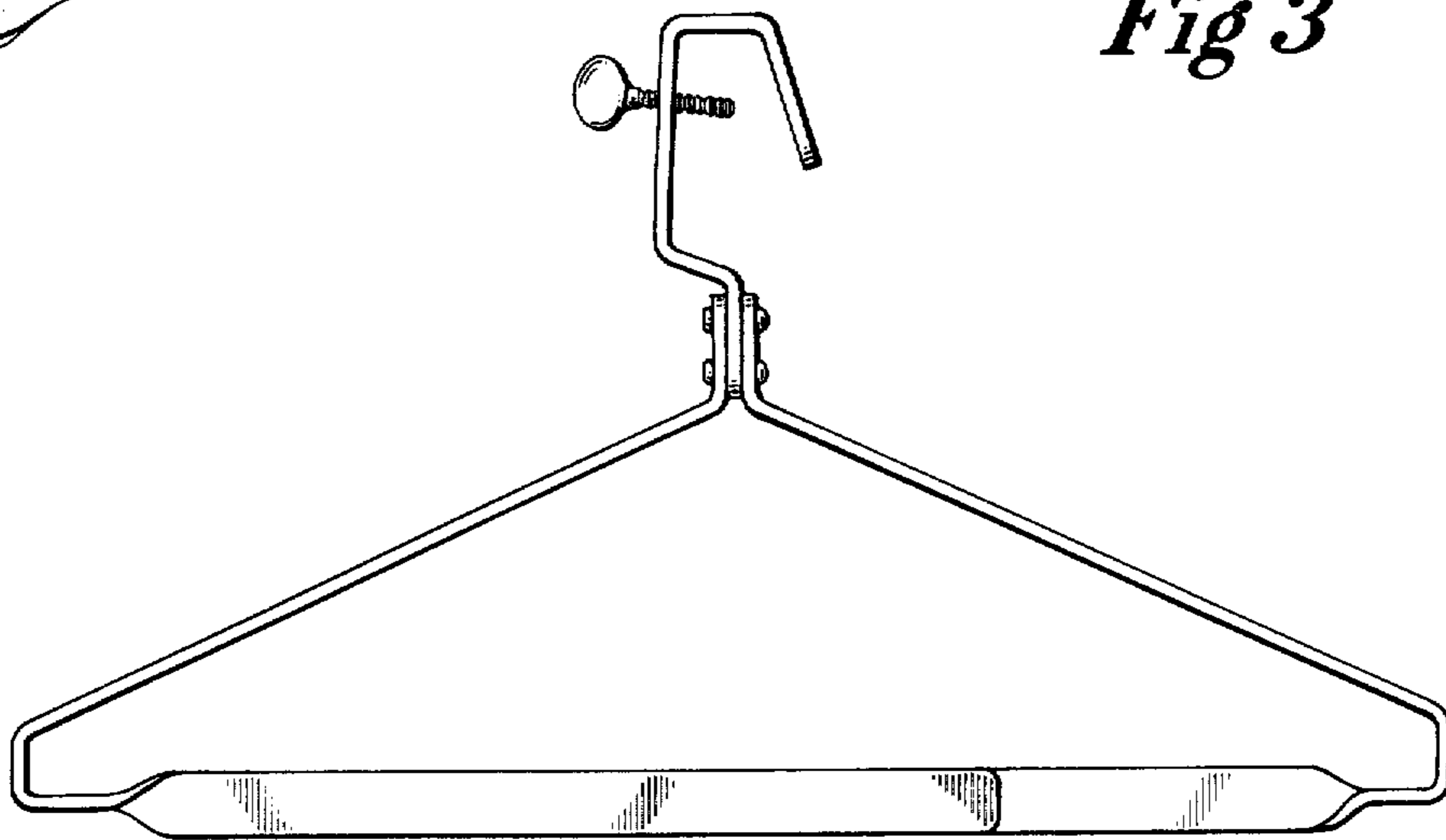


Fig 2

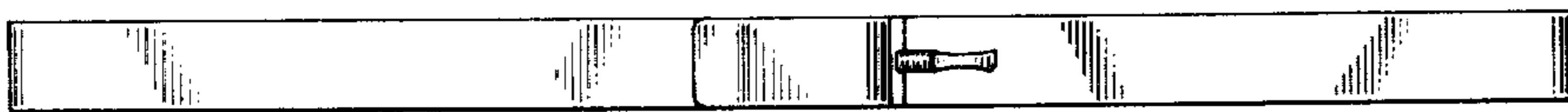


Fig 5

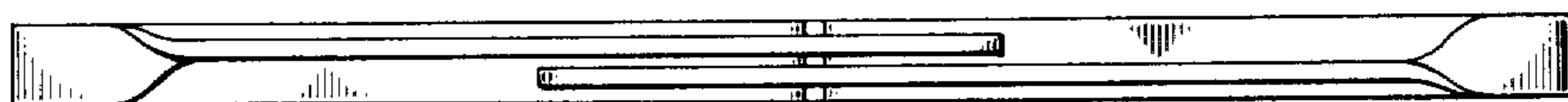


Fig 6