

[54] STORAGE CASE OR THE LIKE

[75] Inventors: Masao Kato, Okazaki, Japan; Rino Conti, Stoughton, Mass.

[73] Assignee: Dart Industries Inc., Northbrook, Ill.

[**] Term: 14 Years

[21] Appl. No.: 122,555

[22] Filed: Feb. 19, 1980

[51] Int. Cl. D3-02

[52] U.S. Cl. D3/73; D7/77

[58] Field of Search D3/30, 33, 35, 38, 73, D3/78, 71; D7/76, 77, 47; 220/244; 224/148, 45 R, 45 C; 206/217

[56] References Cited

U.S. PATENT DOCUMENTS

D. 180,490	6/1957	Lunan	D3/73
D. 226,742	4/1973	Dustin	D3/99
3,127,984	6/1961	Hertzog .	
3,715,028	2/1973	Schumer .	

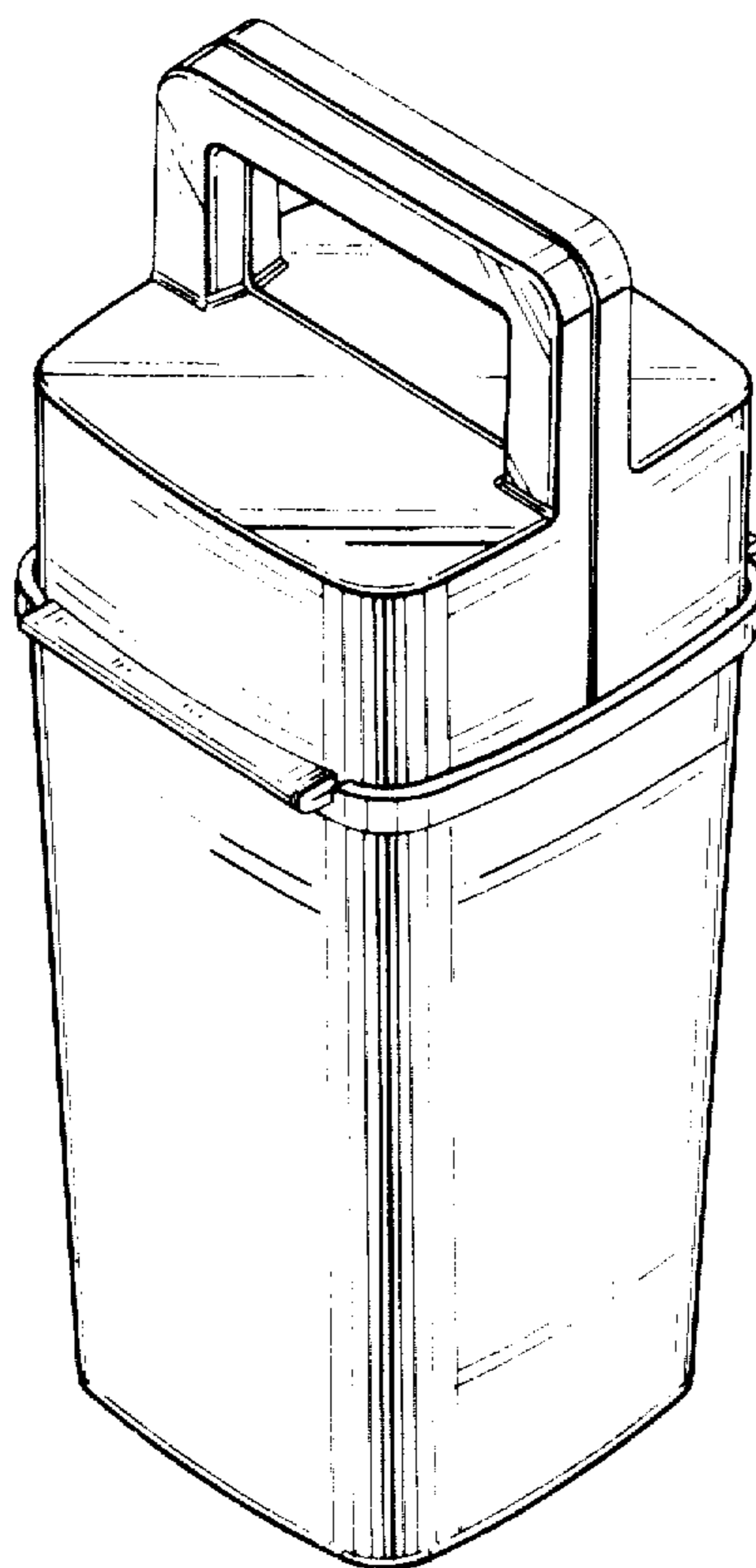
Primary Examiner—George P. Word
 Attorney, Agent, or Firm—Leigh B. Taylor

[57] CLAIM

The ornamental design for a storage case or the like, substantially as shown and described.

DESCRIPTION

FIG. 1 is a top perspective view of a storage case or the like showing our new design;
 FIG. 2 is a front elevational view thereof;
 FIG. 3 is a top plan view thereof;
 FIG. 4 is a bottom plan view thereof; and
 FIG. 5 is a side elevational view thereof partially sectioned along line 5-5 of FIG. 3.



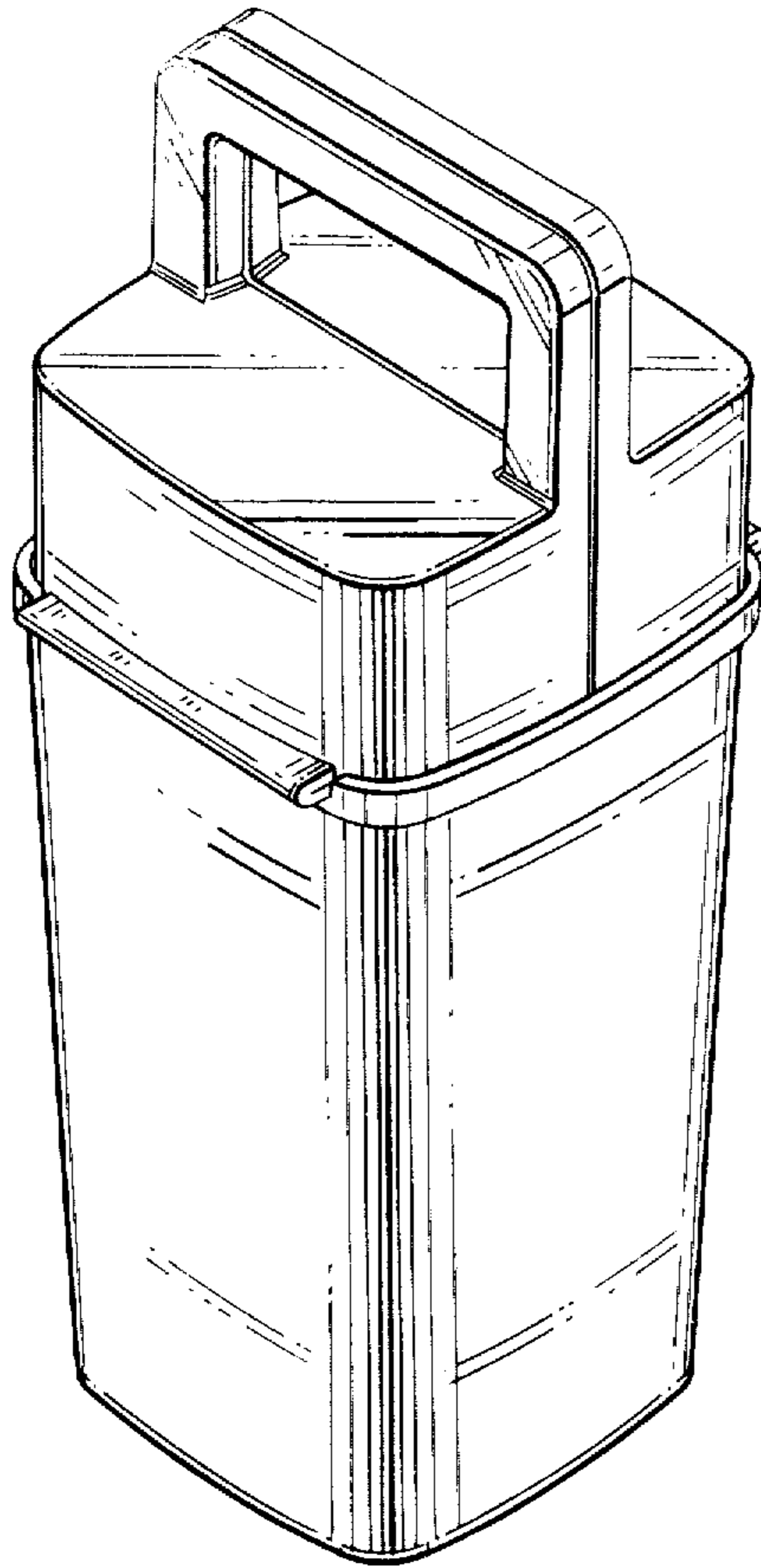


FIG. 1

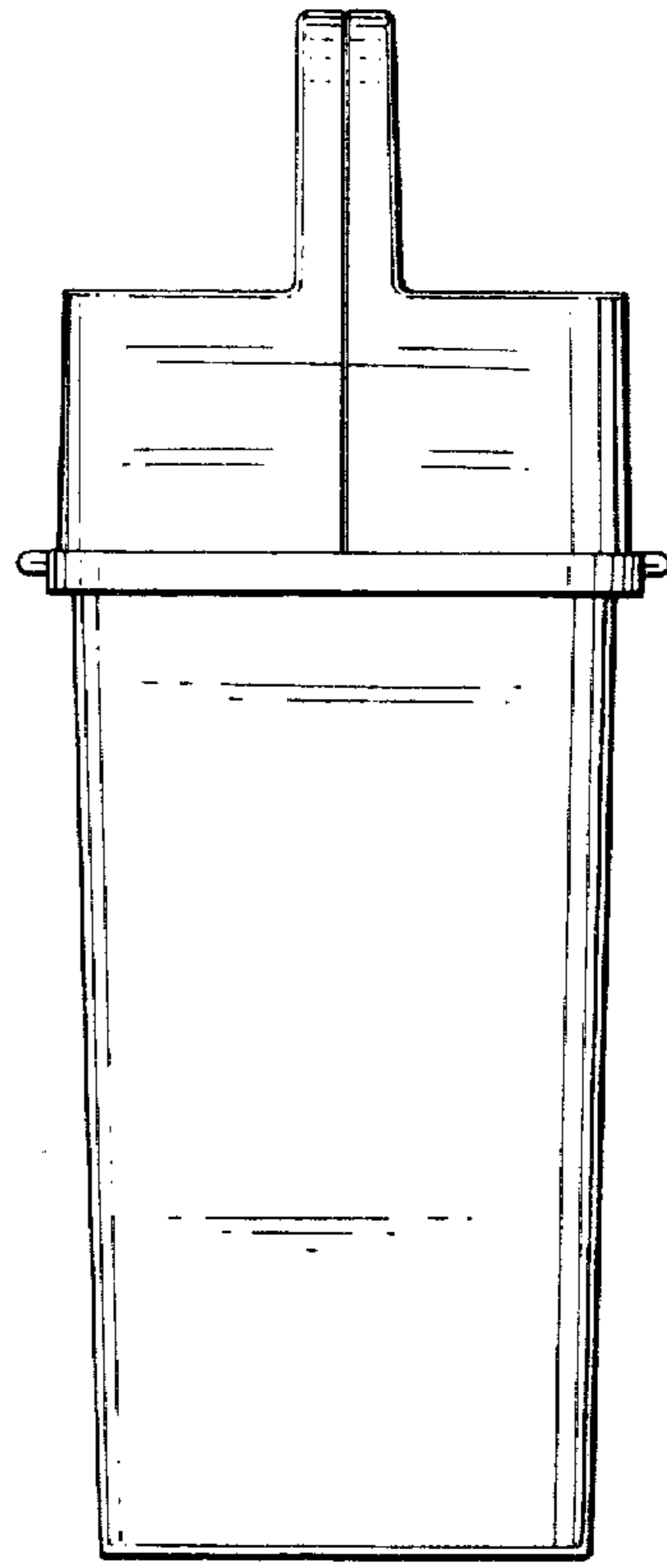


FIG. 2

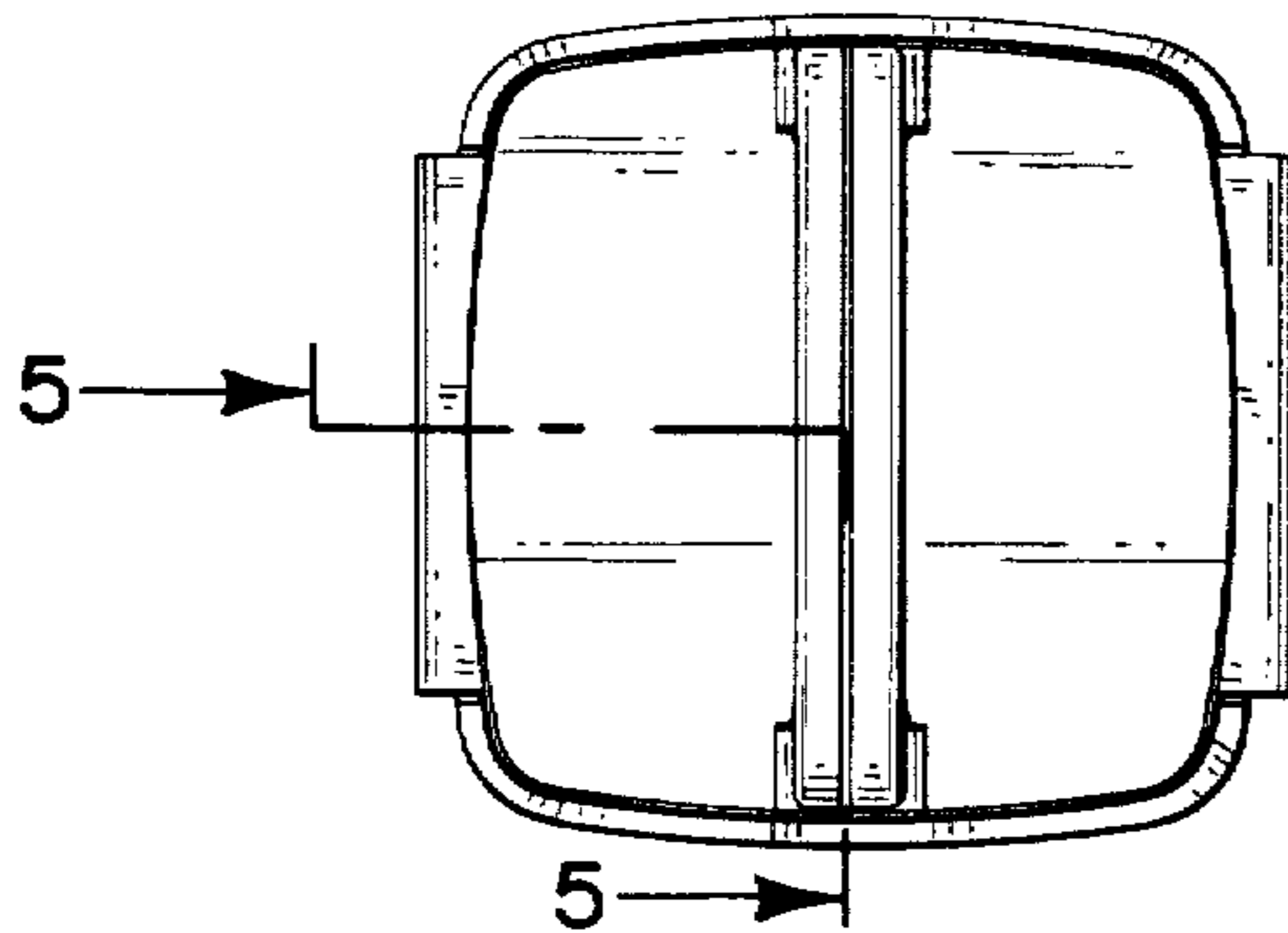


FIG. 3

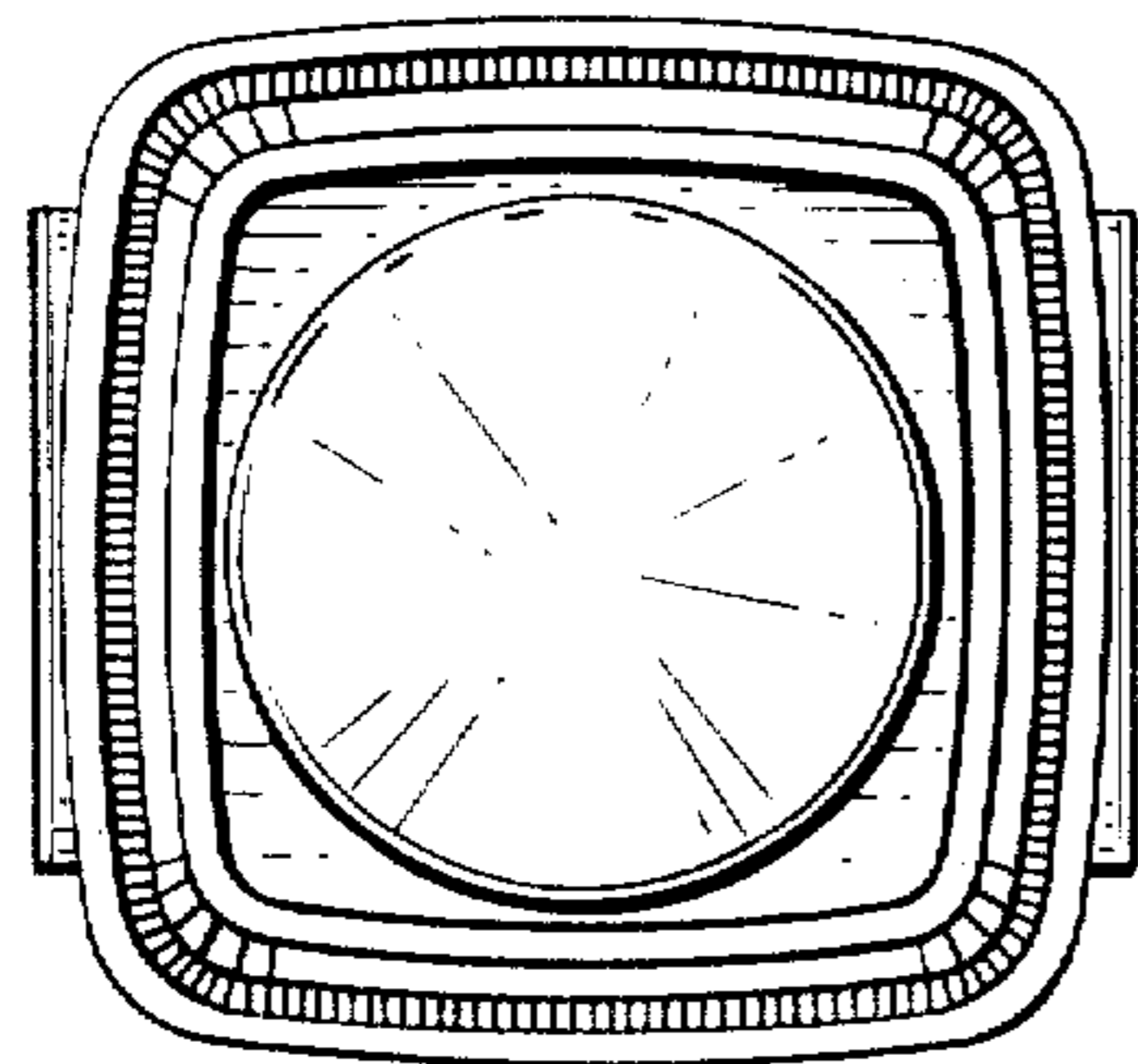


FIG. 4

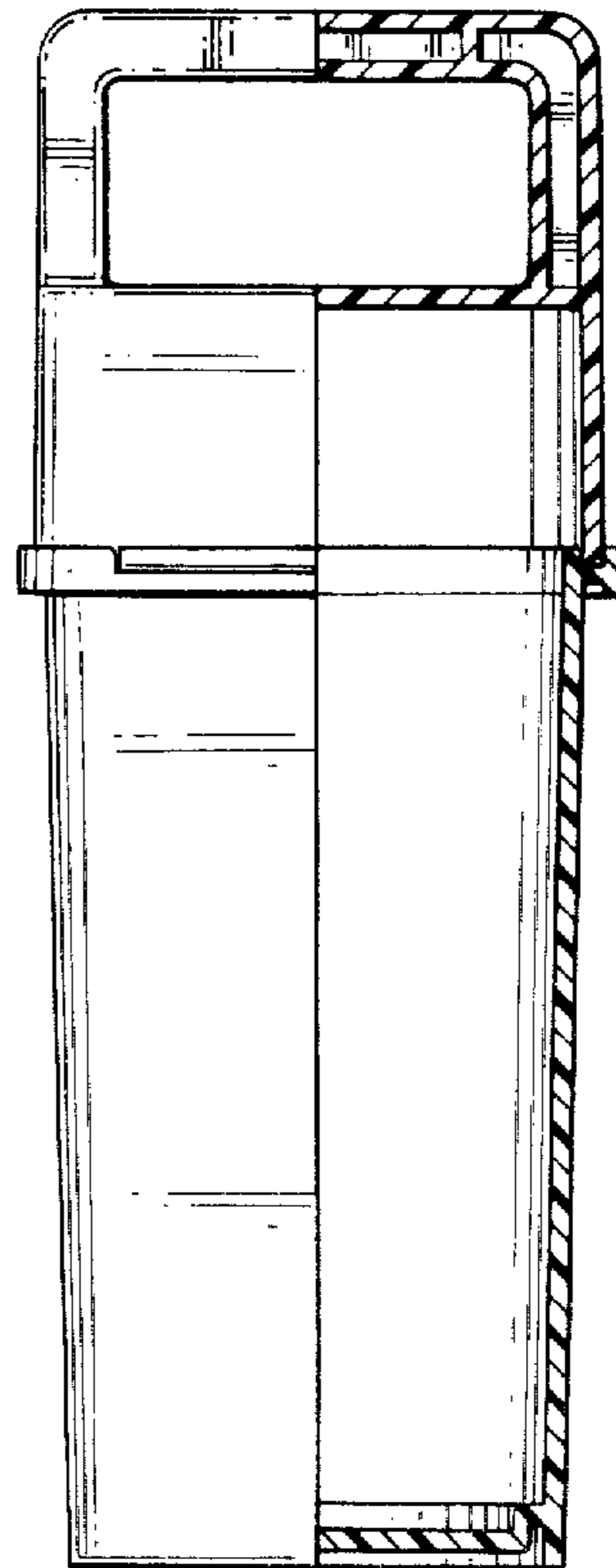


FIG. 5