

[54] GARMENT CARRIER

[76] Inventor: Theodore Haft, 3844 Carrel Blvd.,  
Oceanside, N.Y. 11572

[\*\*] Term: 14 Years

[21] Appl. No.: 26,085

[22] Filed: Apr. 2, 1979

[51] Int. Cl. .... D3-01

[52] U.S. Cl. .... D3/71; D3/77

[58] Field of Search ..... D3/30, 71, 76, 77, 79;  
190/41 R, 41 Z, 41 B, 51, 52, 43

[56] References Cited

U.S. PATENT DOCUMENTS

D. 220,234	3/1971	Marshall	.....	D3/71
3,696,850	10/1972	Rosenblum	.....	190/52
4,081,061	3/1978	Tucker	.....	D3/71

4,098,376 7/1978 Pelavin ..... 190/43

OTHER PUBLICATIONS

Luggage & Travelware, 7/78, inside front cover upper right.

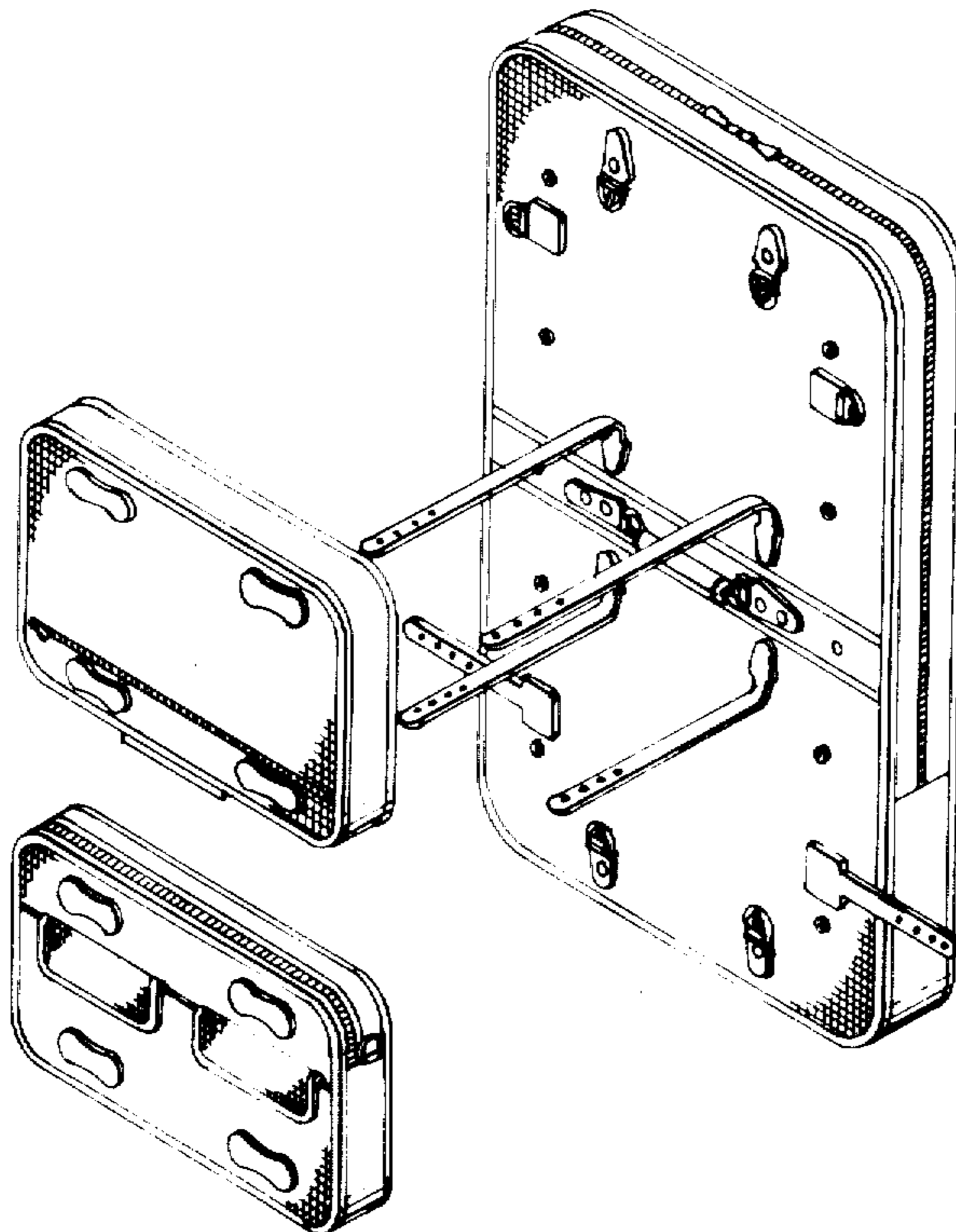
Primary Examiner—George P. Word  
Attorney, Agent, or Firm—Edward H. Loveman

[57] CLAIM

The ornamental design for a garment carrier, as shown and described.

DESCRIPTION

FIG. 1 is a front elevational view of a garment carrier showing my new design;  
FIG. 2 is a top plan view thereof;  
FIG. 3 is a right side elevation view thereof;  
FIG. 4 is a rear elevational view thereof;  
FIG. 5 is a bottom plan view thereof; and  
FIG. 6 is an exploded perspective view thereof.



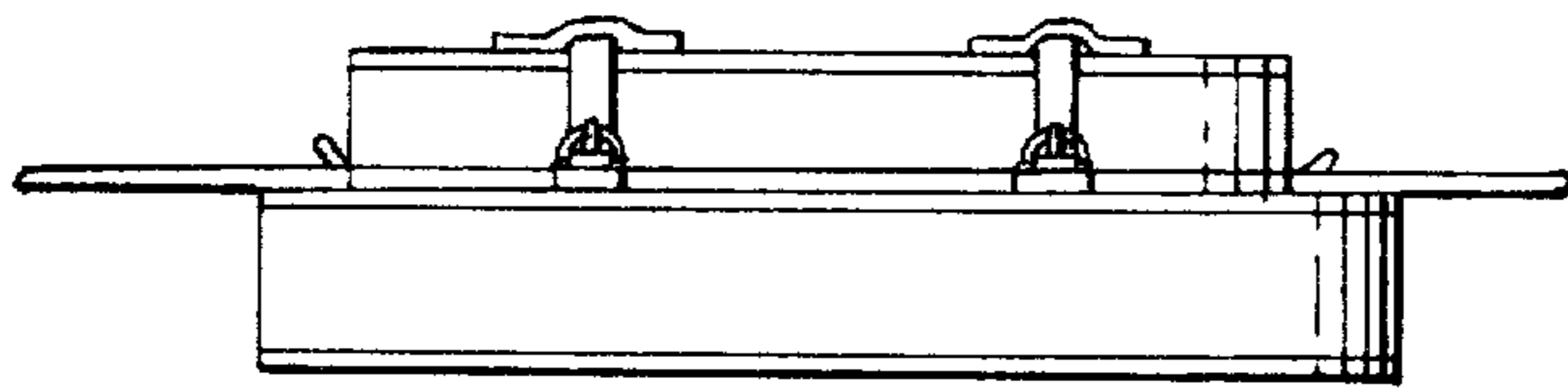


Fig. 5

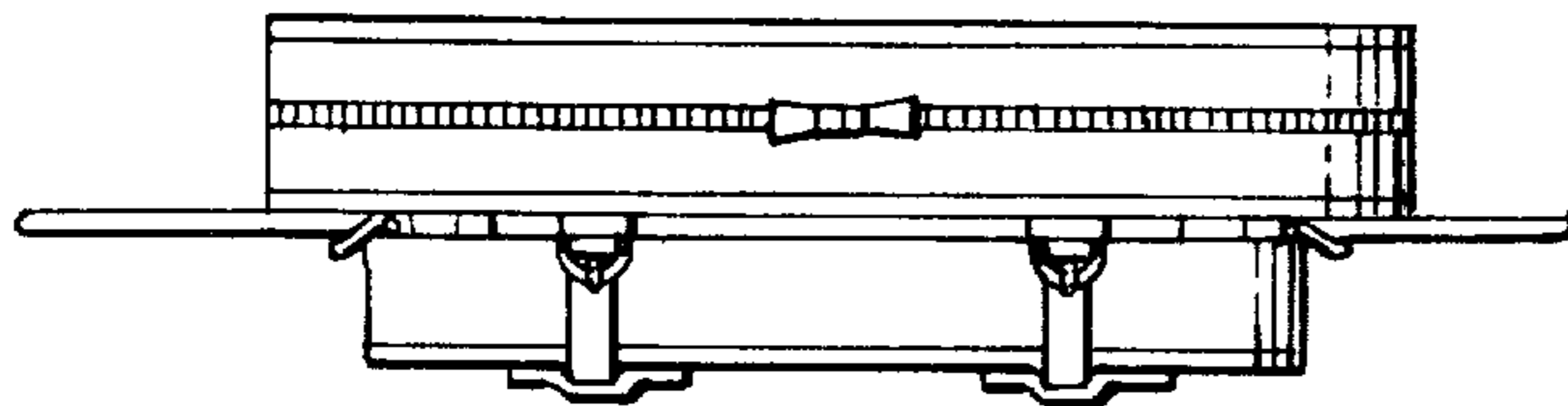


Fig. 2

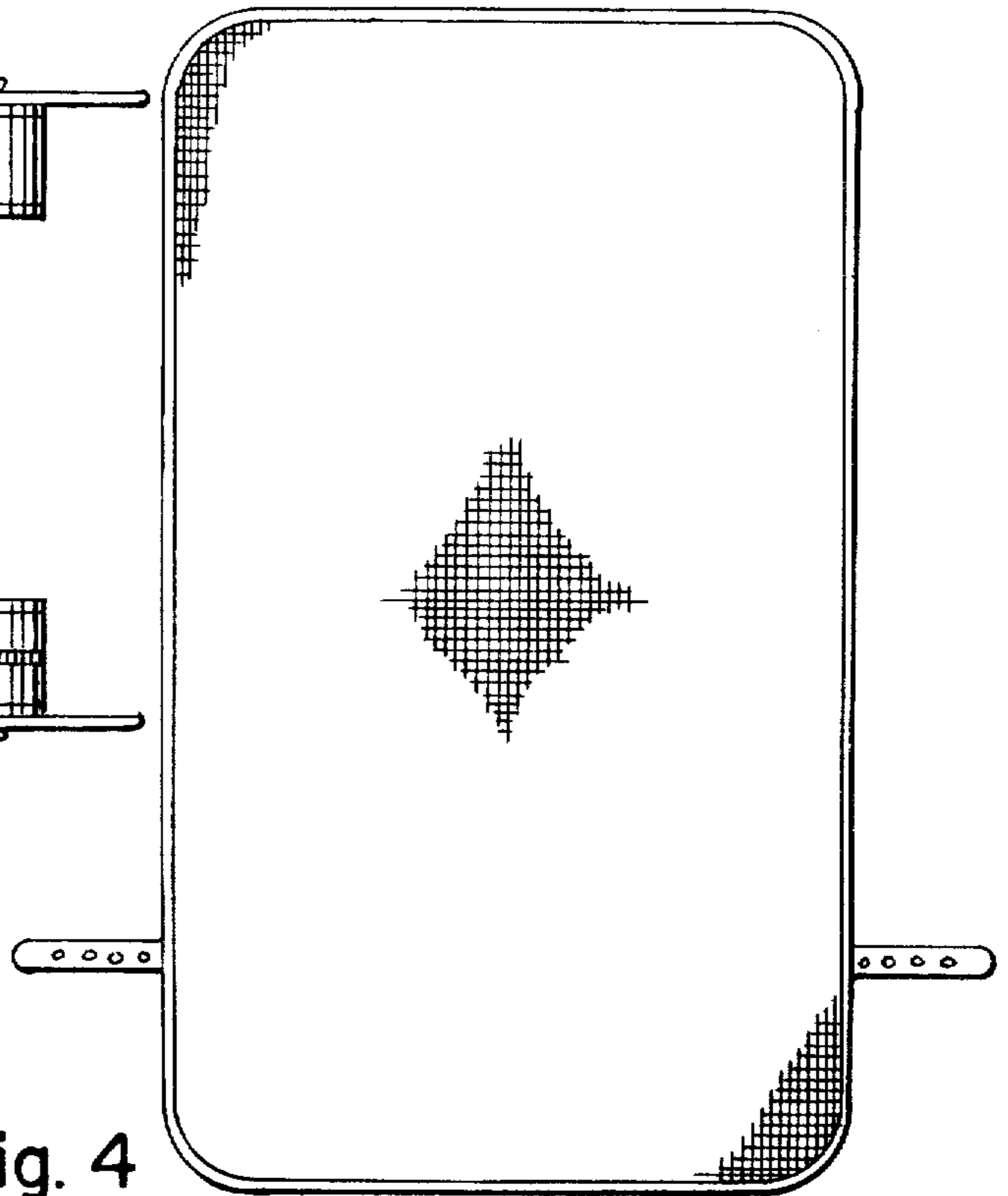


Fig. 4

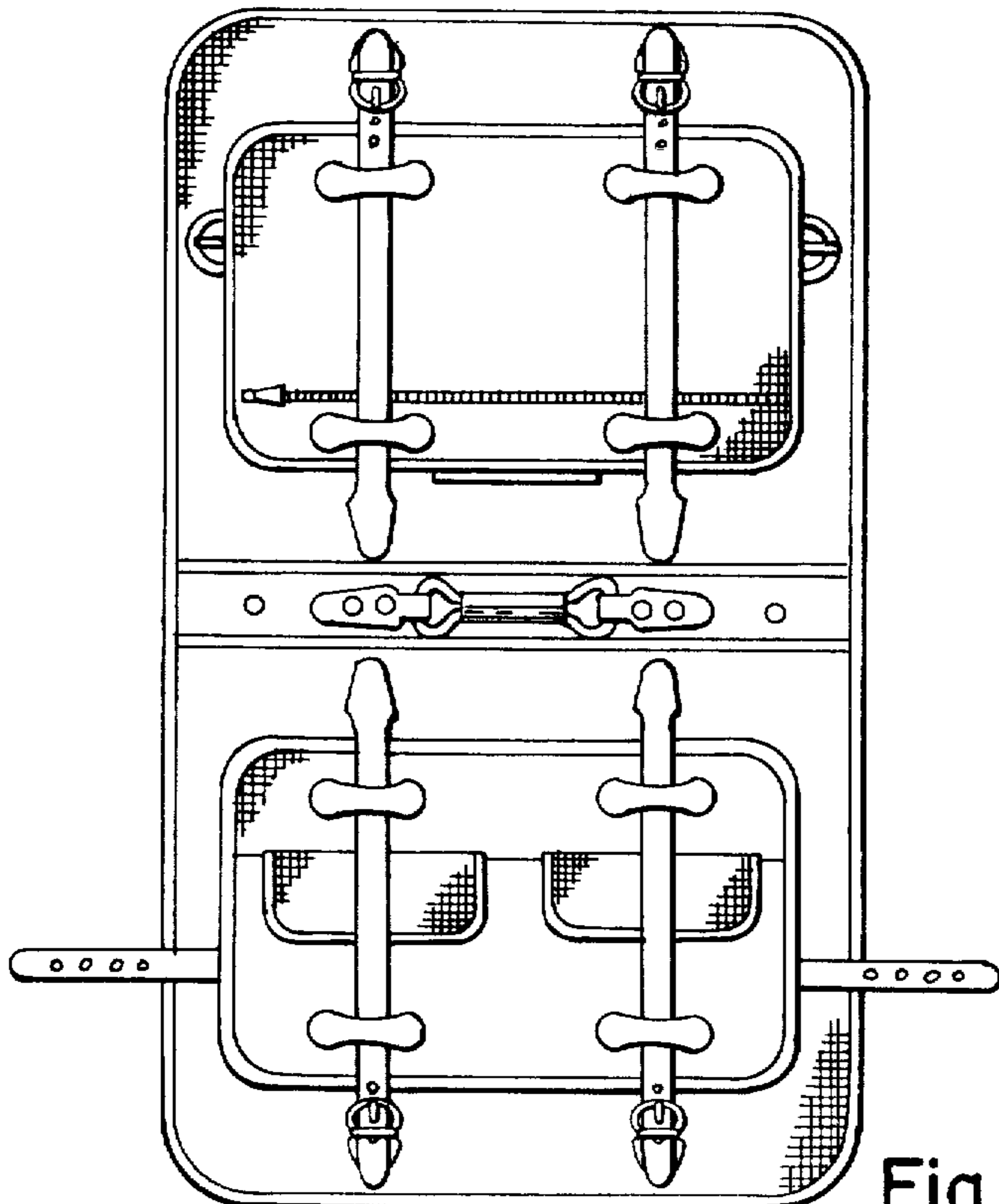


Fig. 1

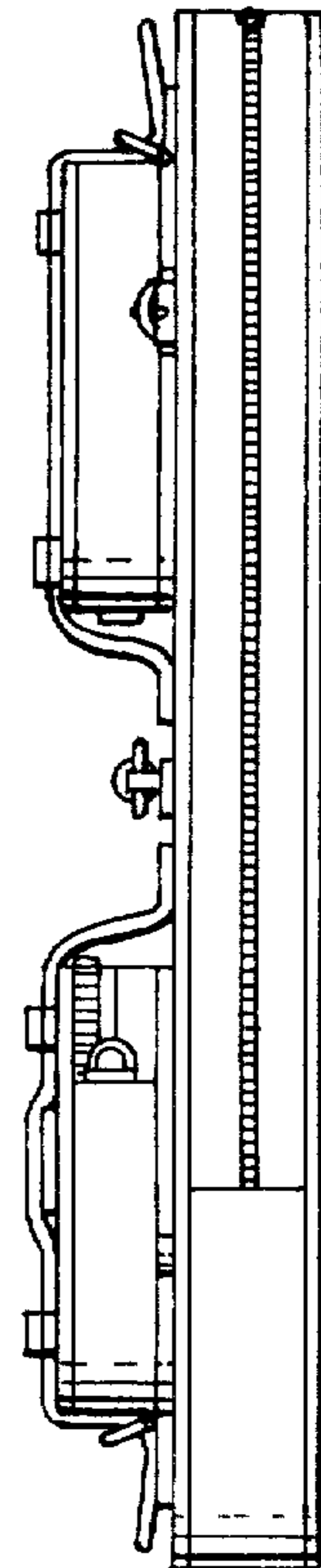


Fig. 3

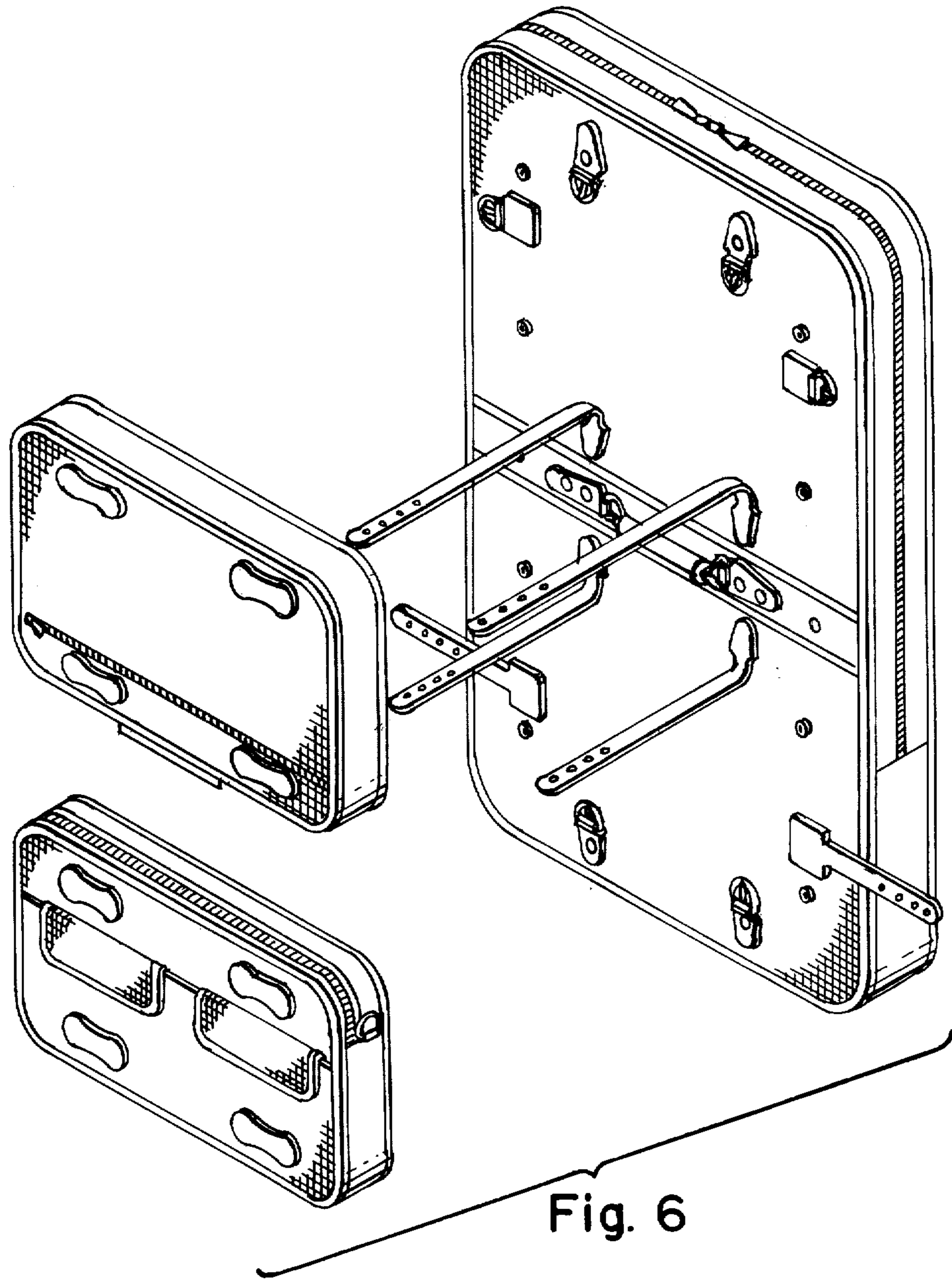


Fig. 6