

[54] CARRYING CASE FOR TAPE CASSETTES

[76] Inventor: Richard Merzon, c/o Merzon Leather Co., Inc., 85 N. Third St., Brooklyn, N.Y. 11211

[**] Term: 14 Years

[21] Appl. No.: 152,566

[22] Filed: May 22, 1980

[51] Int. Cl. D3-02

[52] U.S. Cl. D3/35; D3/74; D3/76; D3/77; D3/79

[58] Field of Search D3/30, 33, 35, 39, 42, D3/52, 72-79; 206/387; 190/16, 41 R

[56] References Cited

U.S. PATENT DOCUMENTS

D. 211,143	5/1968	Lawson	D3/73
D. 256,523	8/1980	Tawil	D3/77
D. 256,737	9/1980	Woodhall	D3/35
D. 257,496	11/1980	Berkman	D3/35
3,025,998	3/1962	Peterson	D3/73
3,374,041	3/1968	Davis	D3/35

OTHER PUBLICATIONS

W. Bell & Co. Cat. 1977, p. 224, item "P".

Primary Examiner—George P. Word
Attorney, Agent, or Firm—Robert W. Fiddler

[57] CLAIM

The ornamental design for a carrying case for tape cassettes, substantially as shown and described.

DESCRIPTION

FIG. 1 is a perspective view of a carrying case for tape cassettes showing my new design;
 FIG. 2 is an end elevational view, the opposite end view being identical thereto;
 FIG. 3 is a side elevational view, the opposite side being identical thereto;
 FIG. 4 is a top plan view thereof;
 FIG. 5 is a bottom plan view thereof;
 FIG. 6 is an end elevational view of the carrying case for tape cassettes with the sides opened;
 FIG. 7 is a side elevational view thereof showing the cassette receiving compartment, the opposite side view being identical thereto;
 FIG. 8 is a top plan view thereof, a portion of the right side cover being broken away and omitted for convenience of illustration; and
 FIG. 9 is a perspective view of the case with the sides opened.

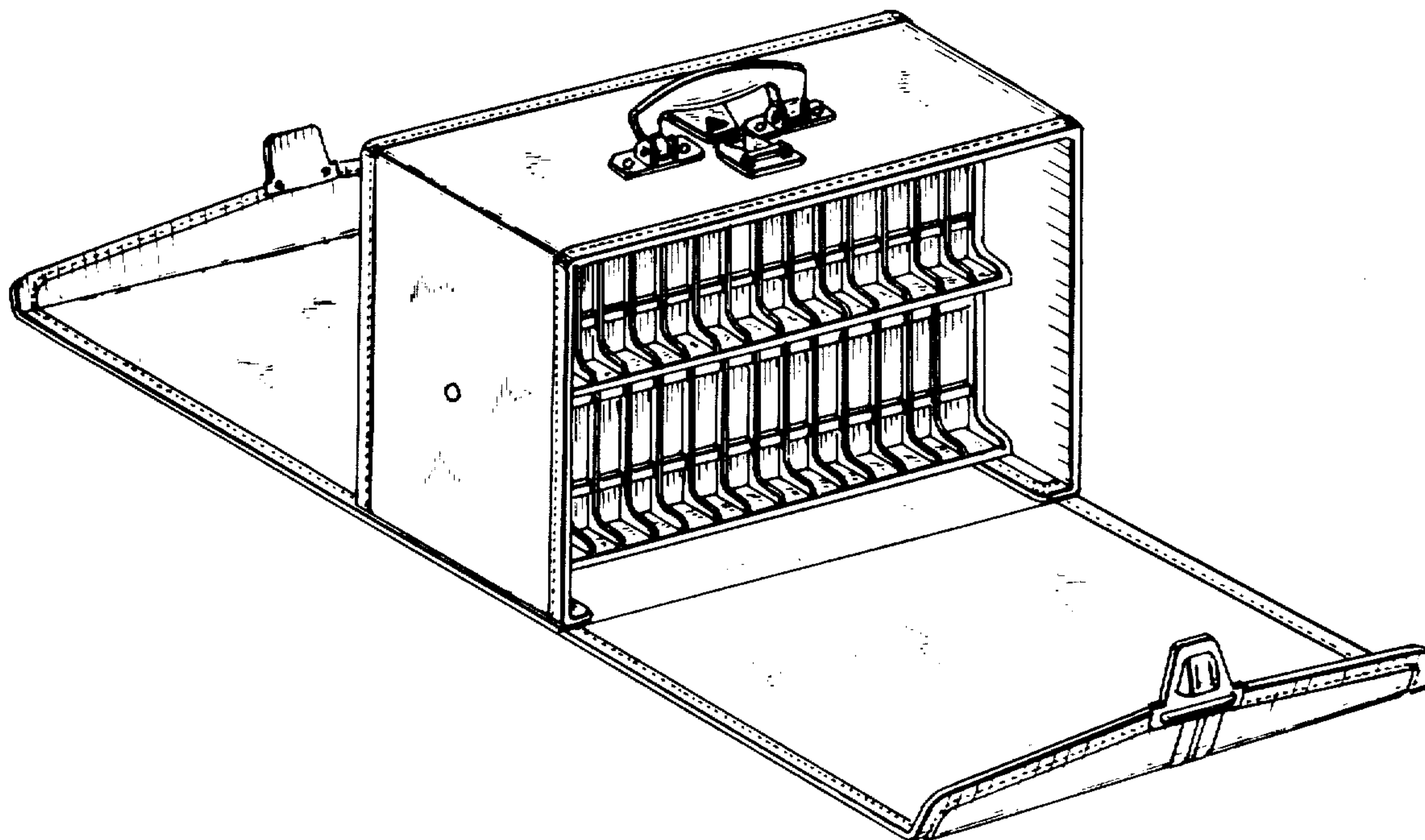


FIG. 1.

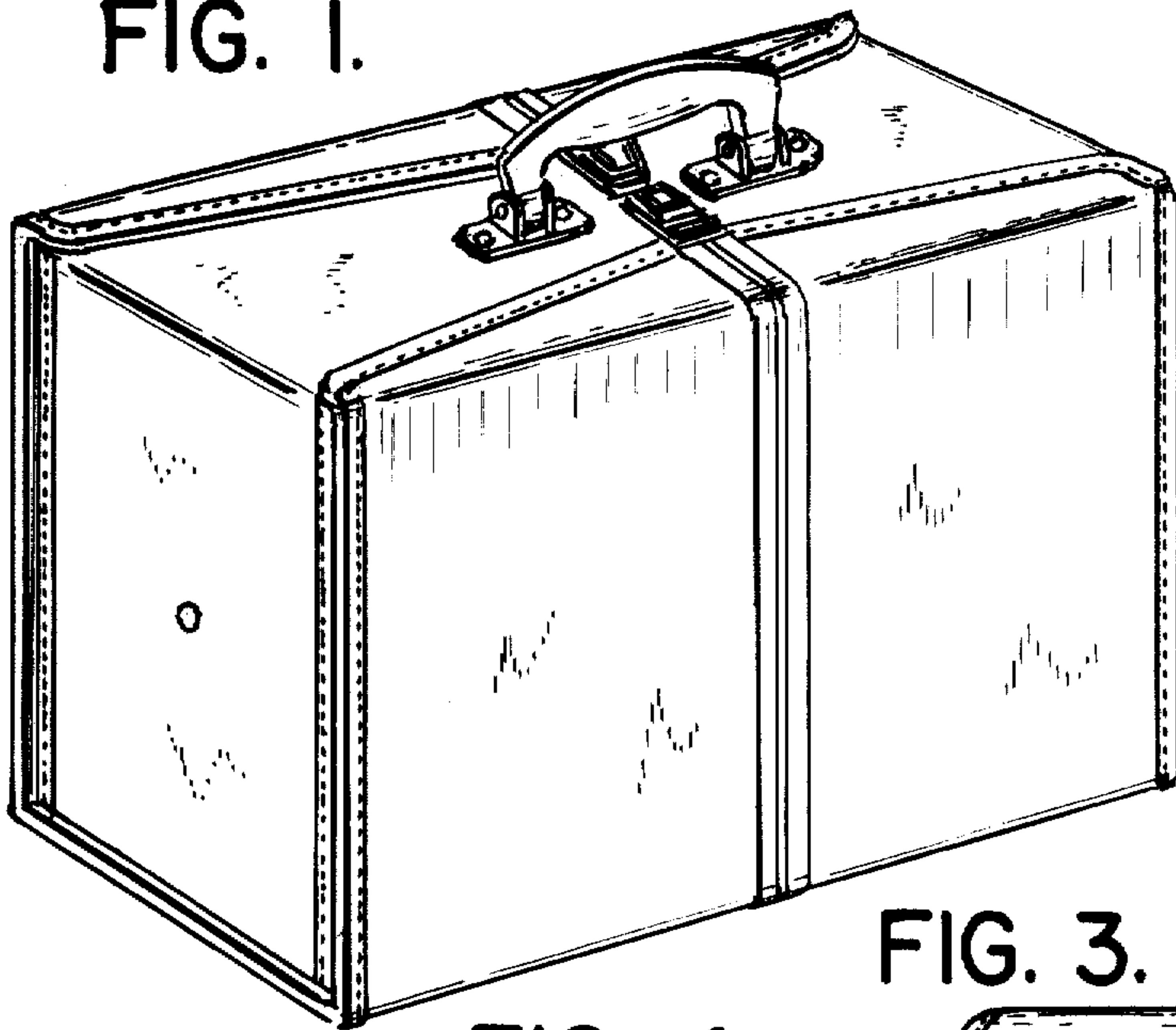


FIG. 2.

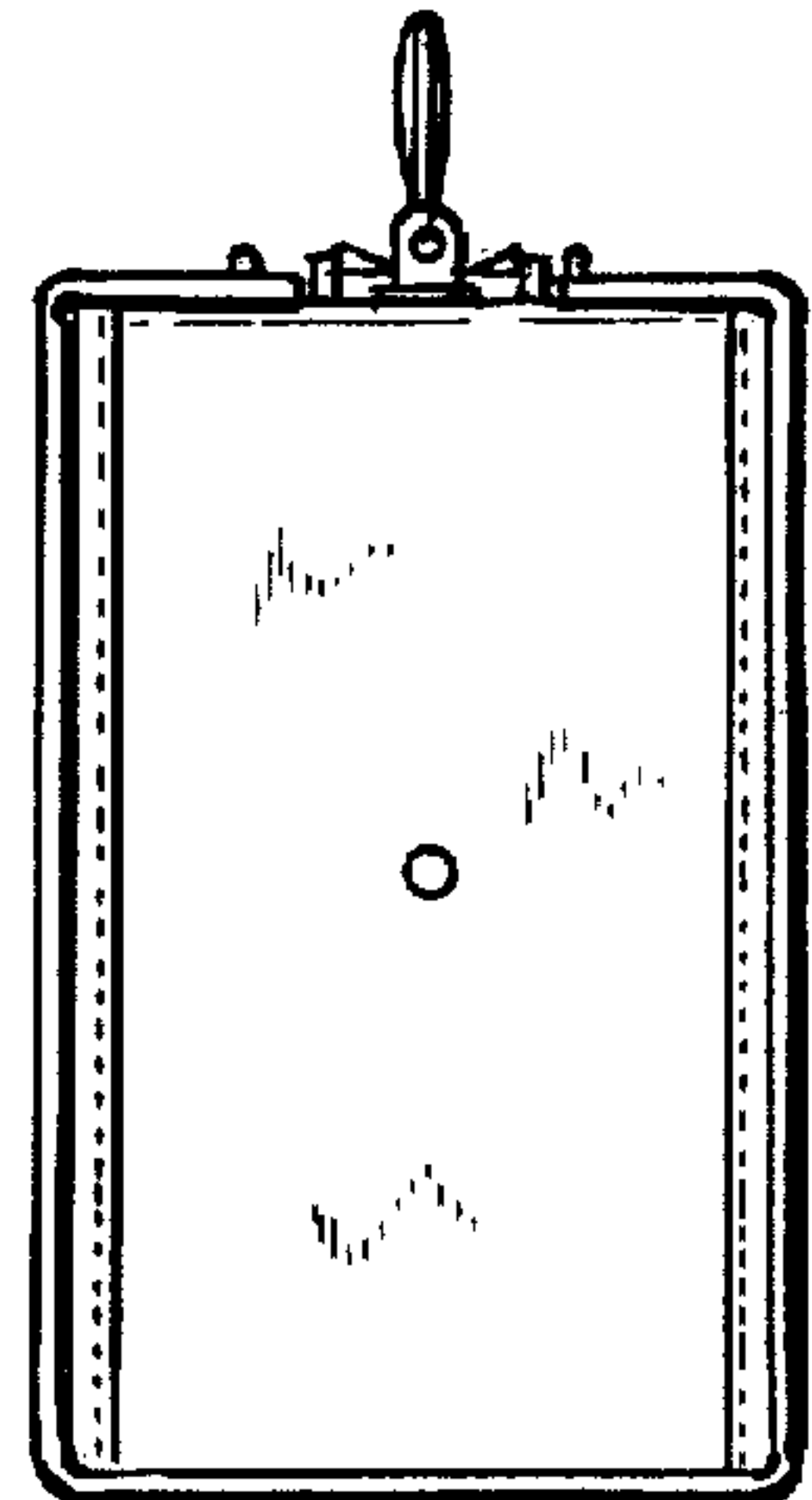


FIG. 3.

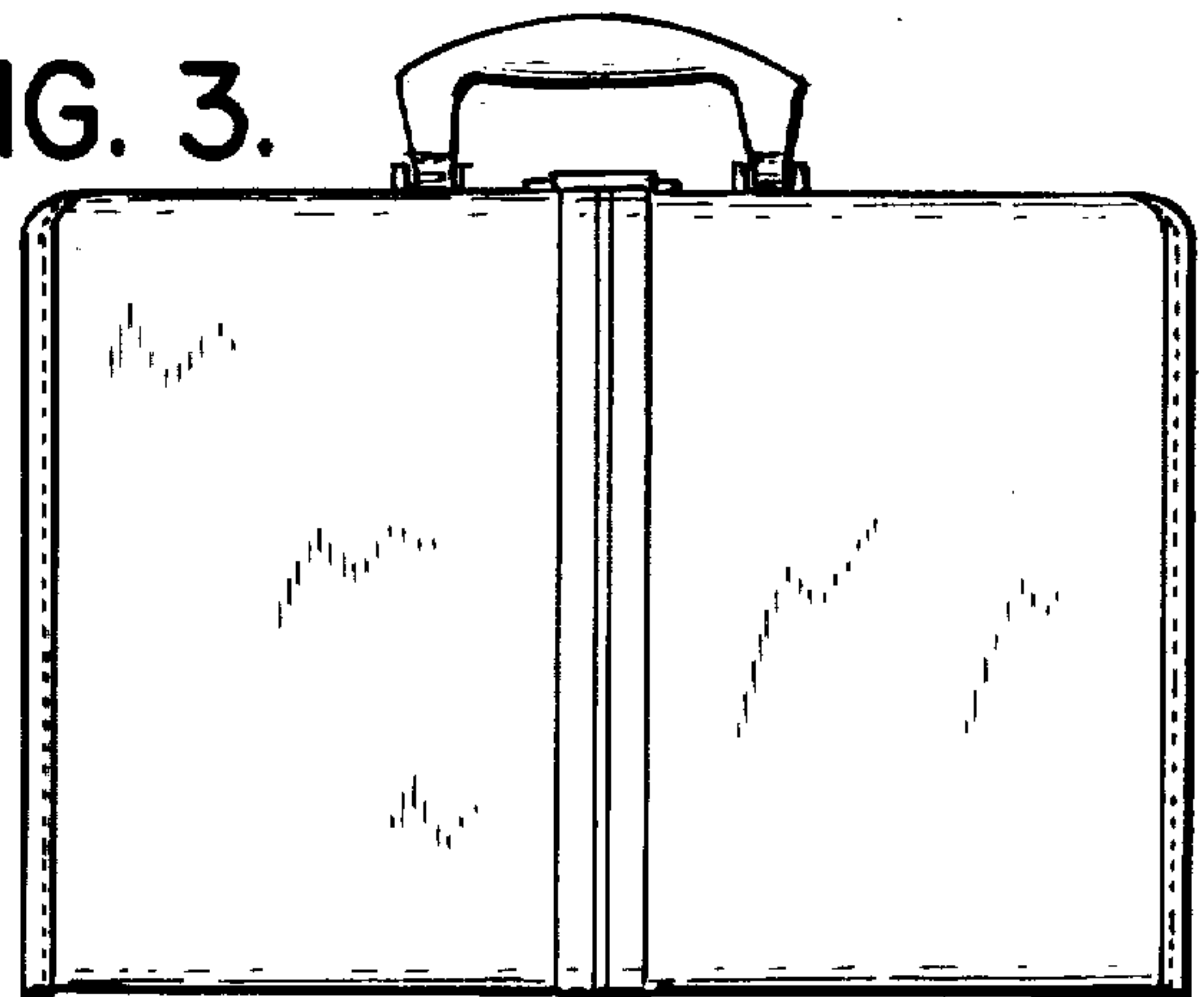


FIG. 4.

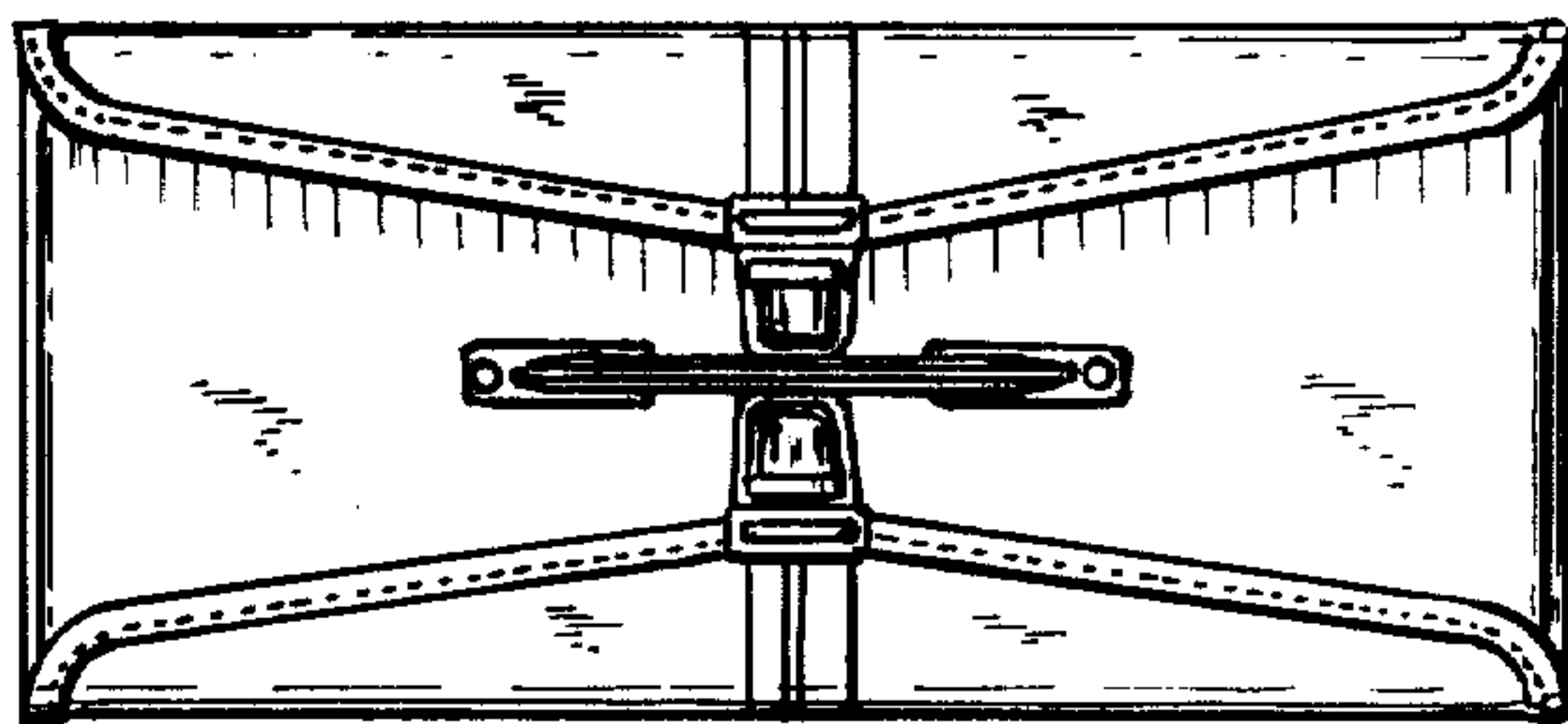


FIG. 5.

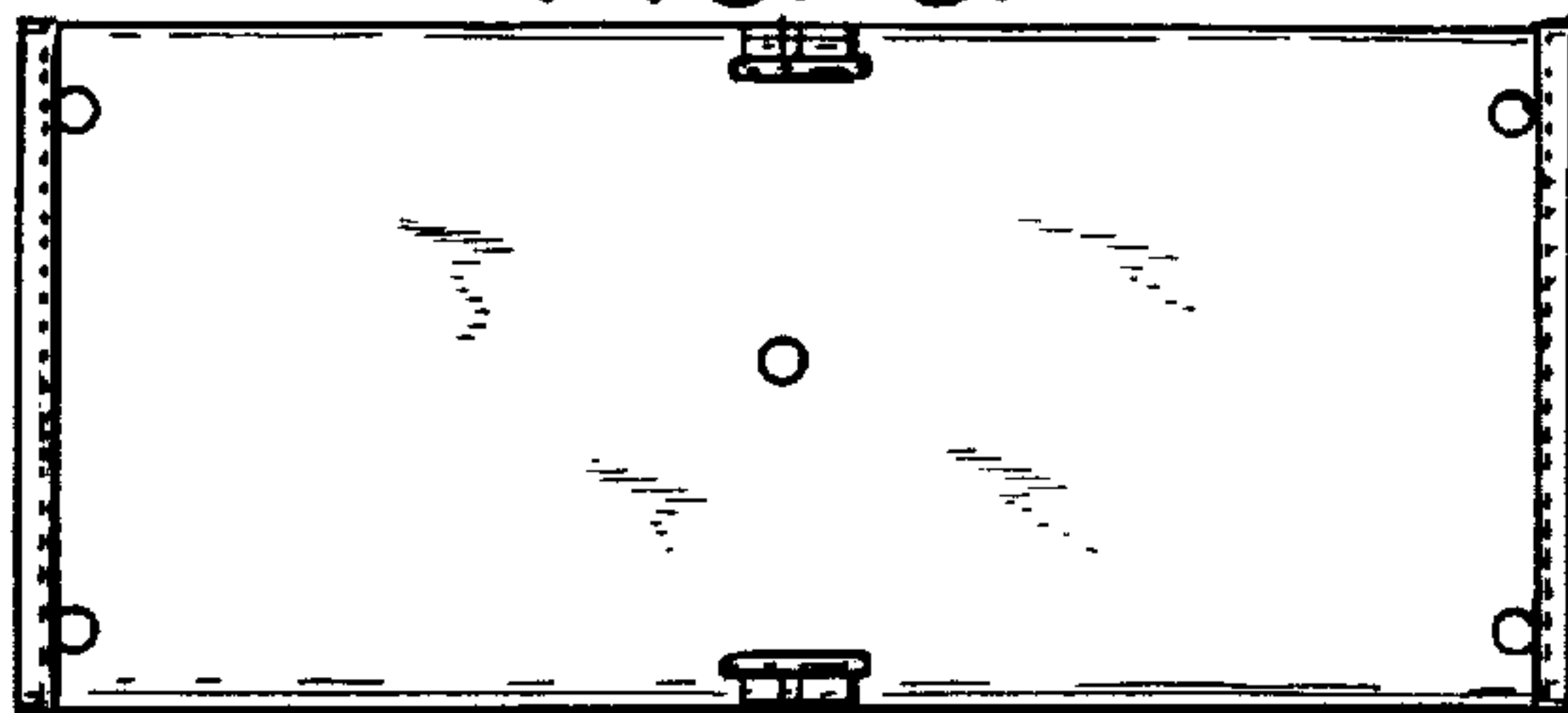


FIG. 7.

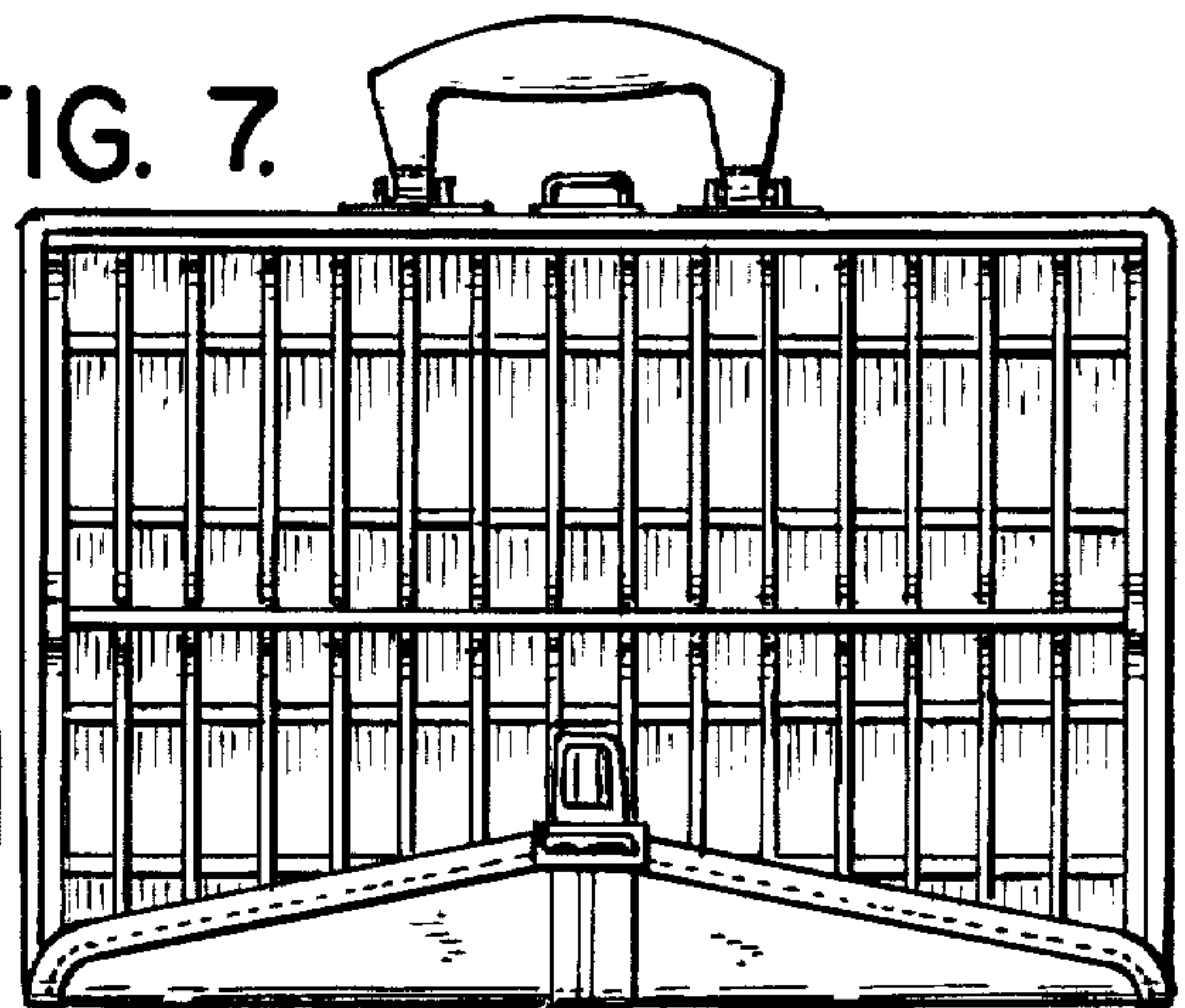


FIG. 6.

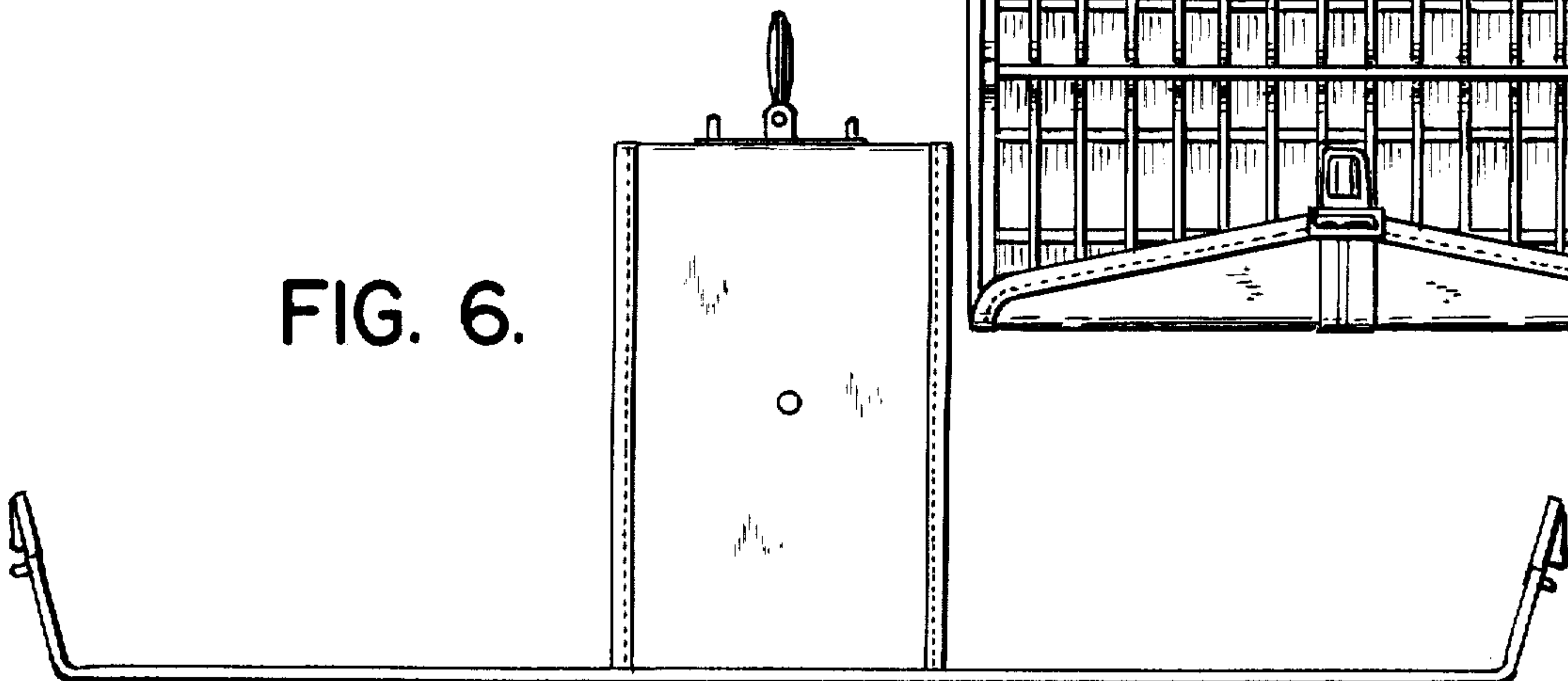


FIG. 9.

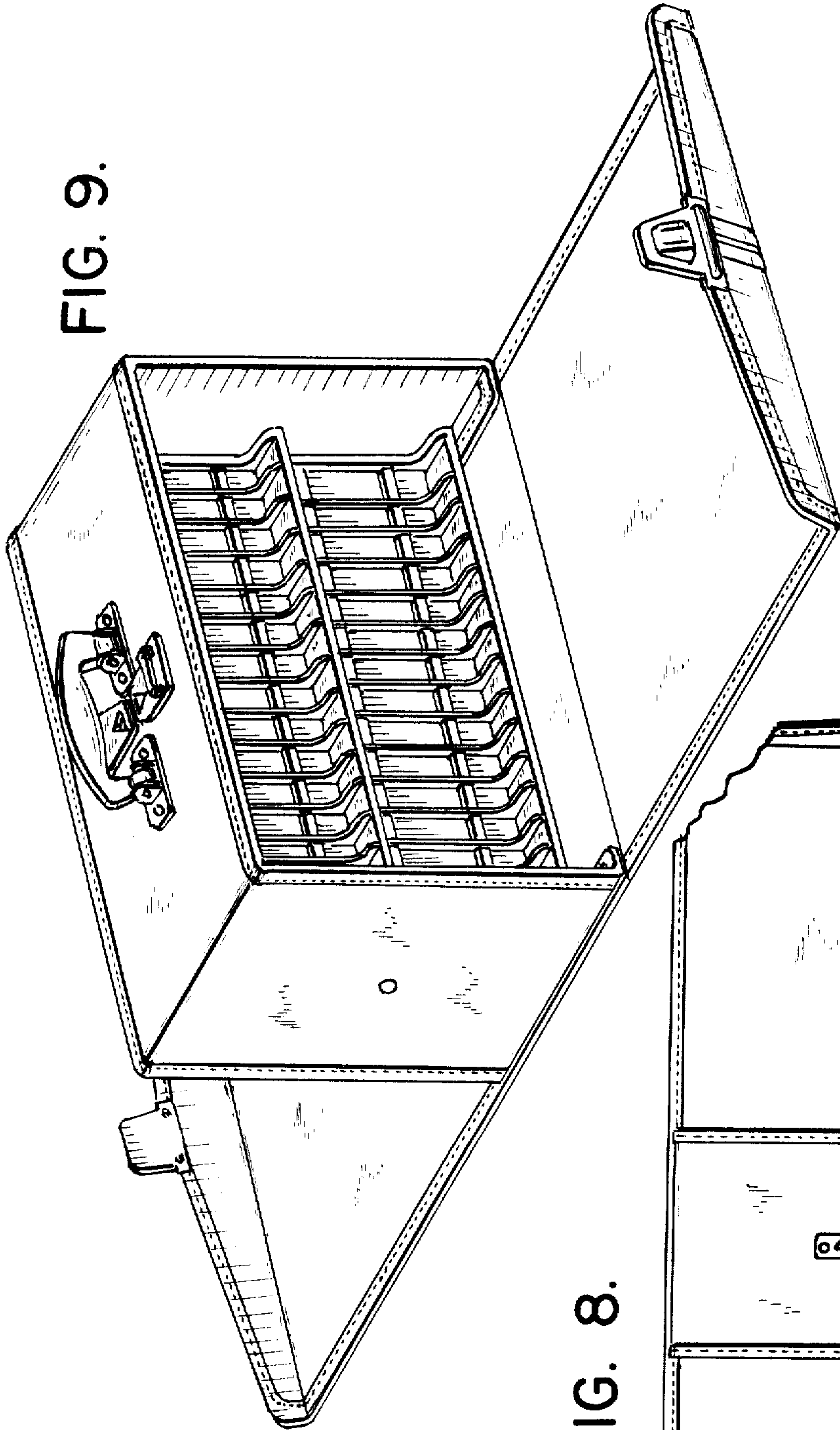


FIG. 8.

