

[54] ANTFARM
 [76] Inventor: Joseph W. Berteloot, 310 Ladera, San Jose, Calif. 95134
 [**] Term: 14 Years
 [21] Appl. No.: 154,822
 [22] Filed: May 30, 1980
 [51] Int. Cl. D30-02
 [52] U.S. Cl. D30/1
 [58] Field of Search D30/1, 41, 99; 119/1, 119/15

3,283,743 11/1966 Dibelius 119/1
 3,653,357 4/1972 Sheidlower et al. 119/1
 3,687,110 8/1972 Braunhot 119/15
 4,252,080 2/1981 Gioia et al. 119/1

Primary Examiner—James R. Largen
 Attorney, Agent, or Firm—Paul L. Hickman

[57] CLAIM

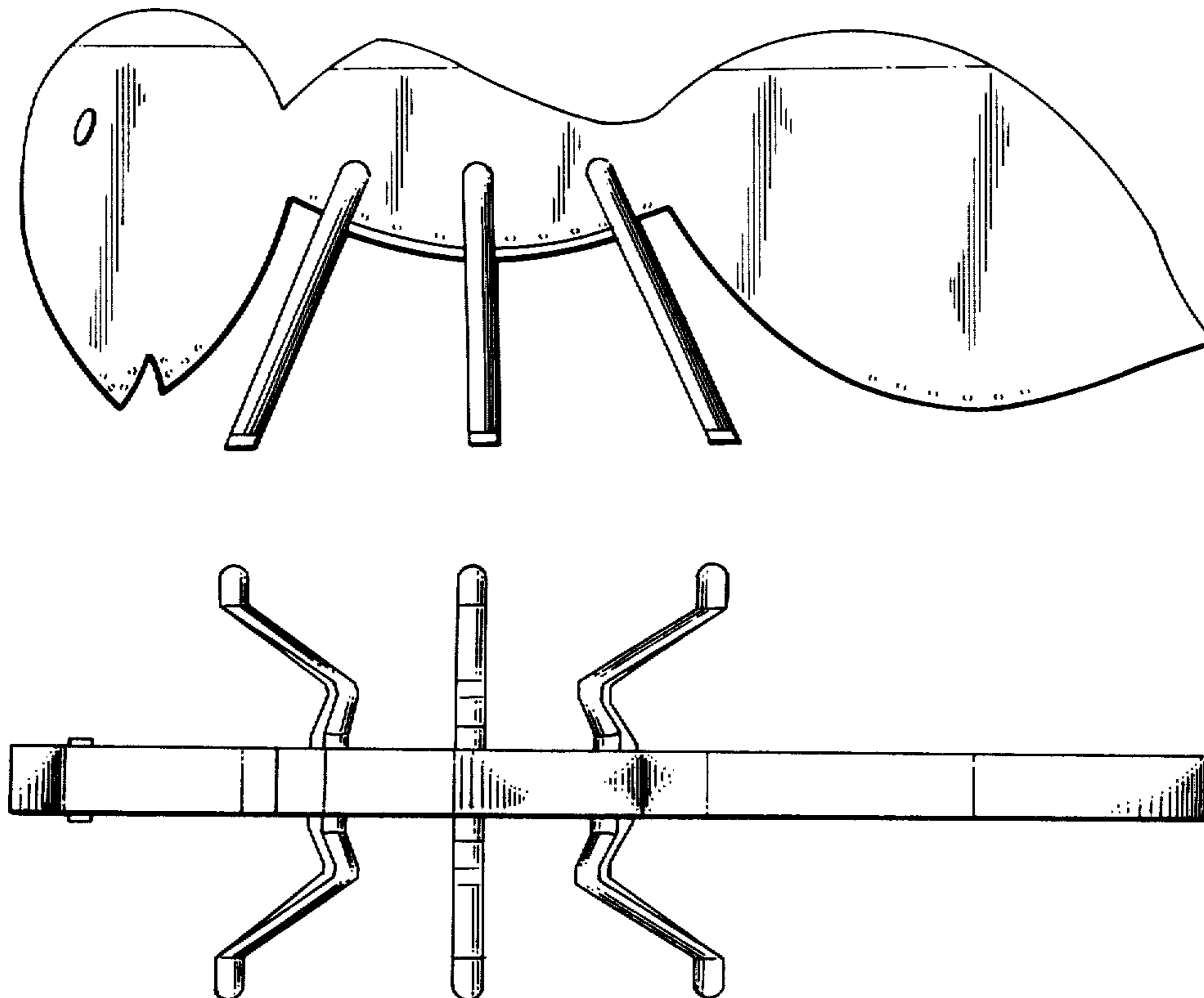
The ornamental design for an antfarm, as shown and described.

DESCRIPTION

FIG. 1 is a front elevational view of an antfarm showing my new design, the rear being a mirror image of the front shown;
 FIG. 2 is a top plan view thereof;
 FIG. 3 is a bottom plan view thereof;
 FIG. 4 is a left side elevational view thereof; and
 FIG. 5 is a right side elevational view thereof.

[56] References Cited
 U.S. PATENT DOCUMENTS

D. 222,065 9/1971 Sheidlower D30/1
 1,810,745 6/1931 Austin 119/1
 2,080,160 5/1937 Austin 119/1



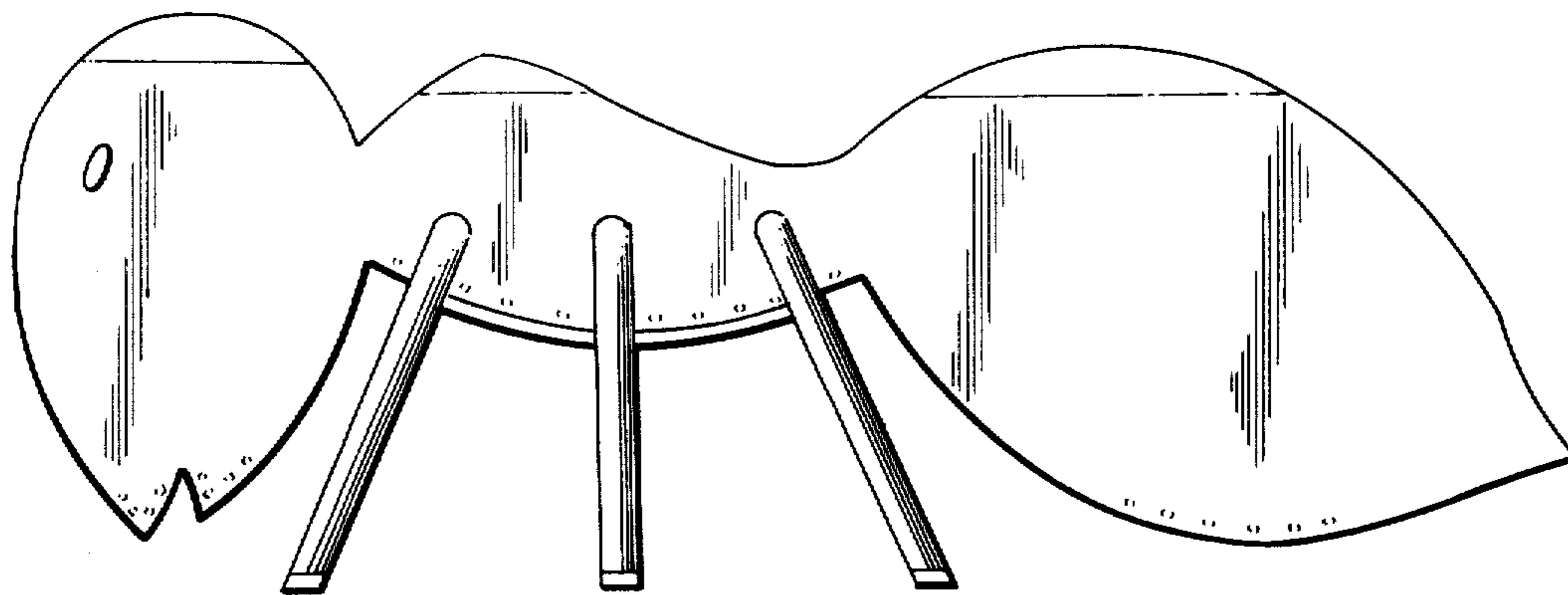


FIG 1

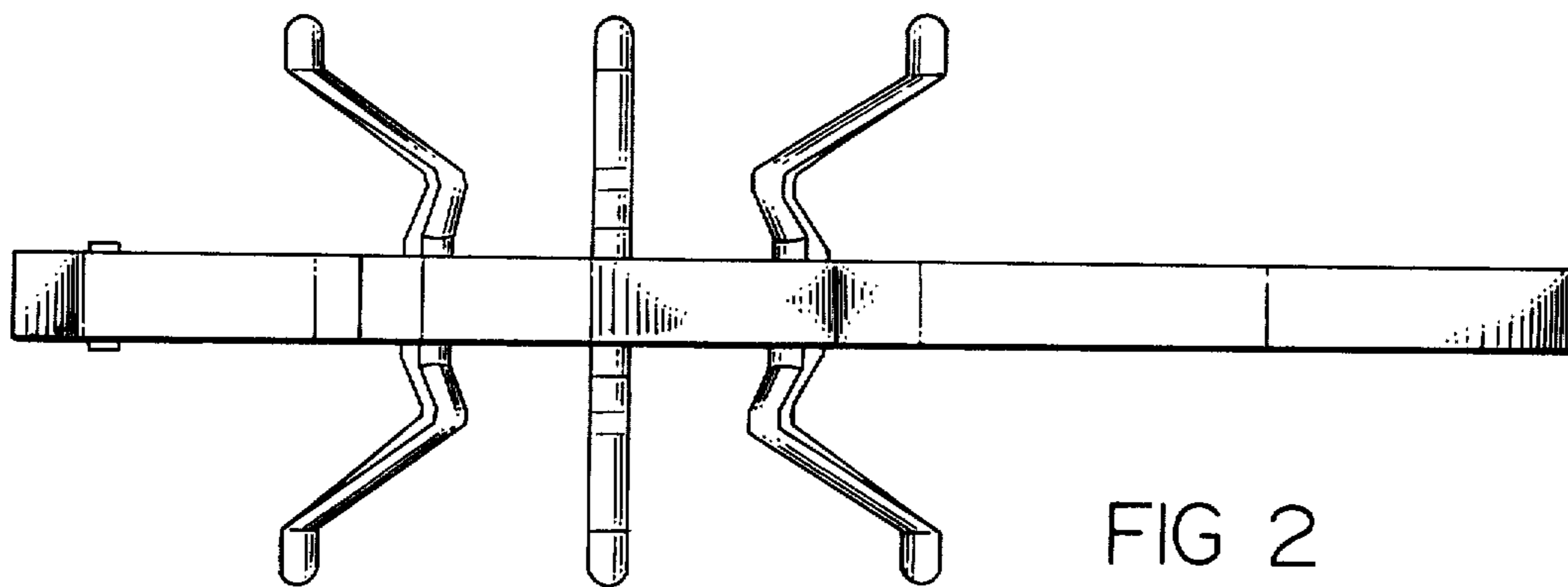


FIG 2

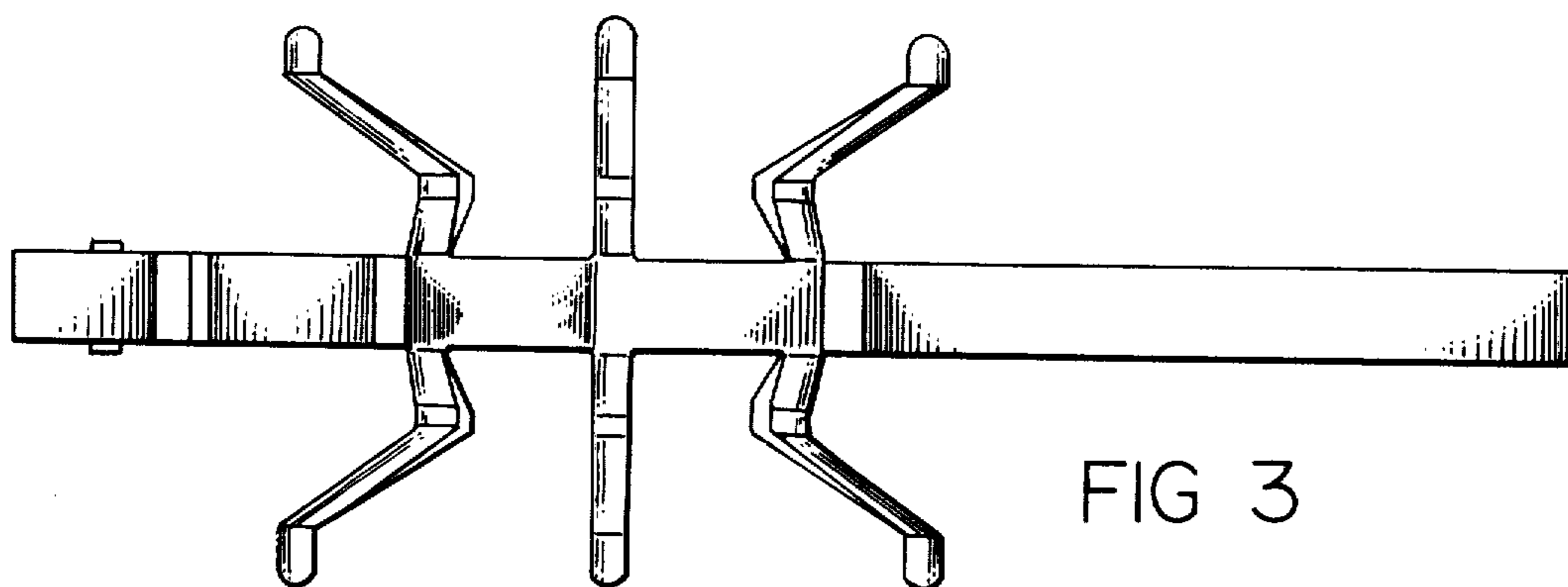


FIG 3

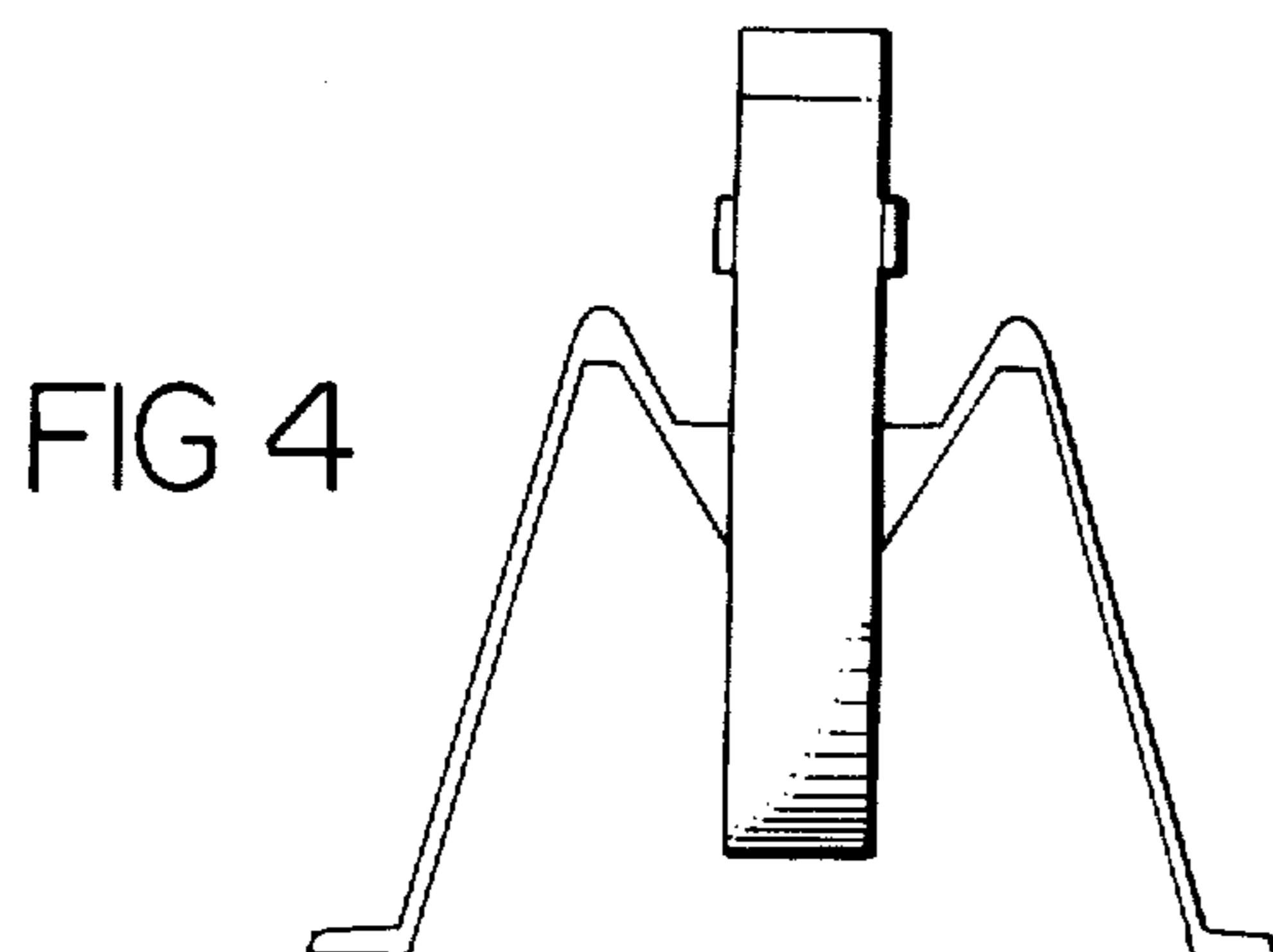


FIG 4

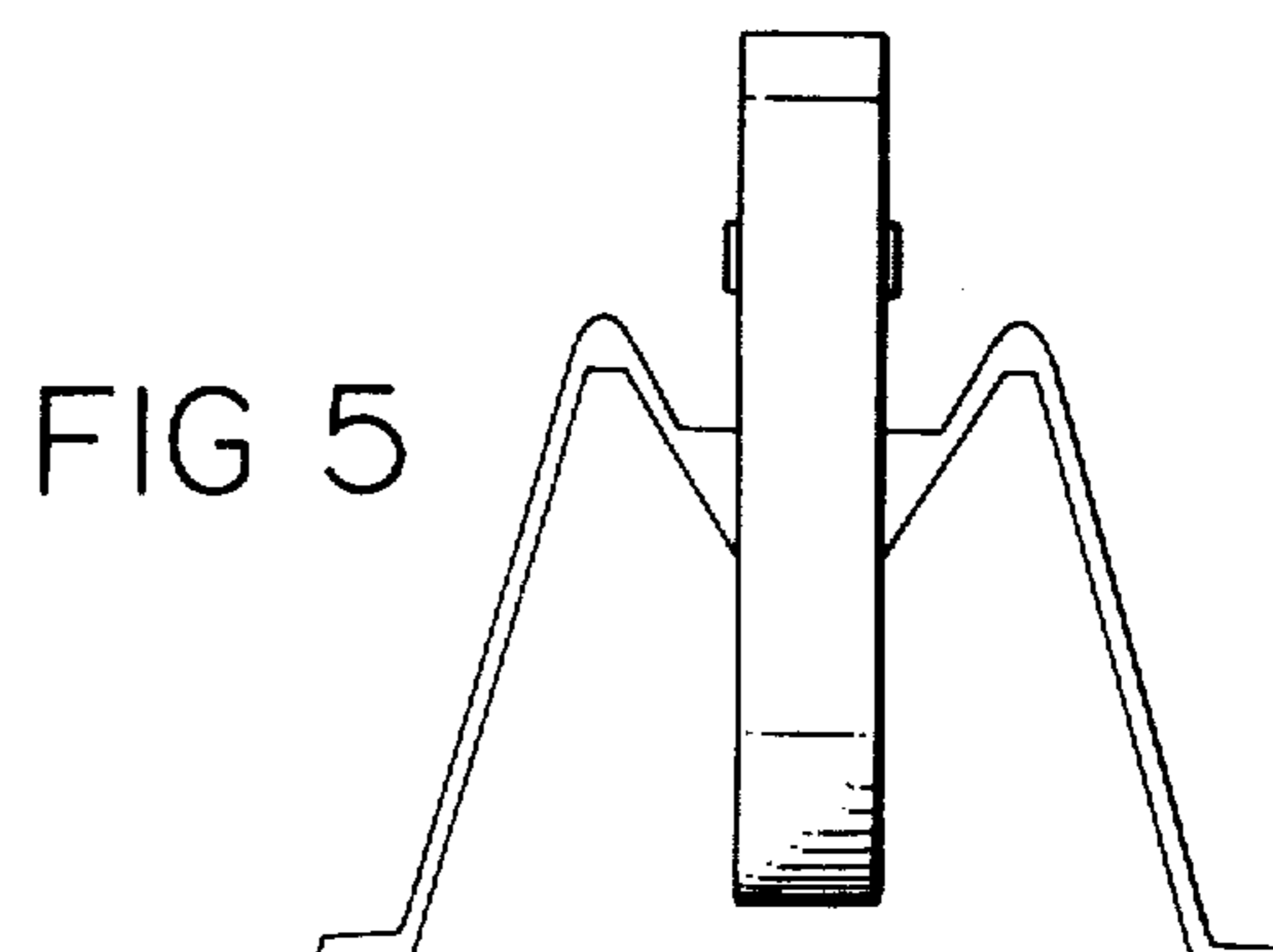


FIG 5