

[54] FINGERNAIL CLIPPER OR THE LIKE
[76] Inventor: Bernard M. Rock, 1833 S. Leyden St., Denver, Colo. 80222
[**] Term: 14 Years
[21] Appl. No.: 129,354
[22] Filed: Mar. 11, 1980
[51] Int. Cl. D28—03
[52] U.S. Cl. D28/60
[58] Field of Search D28/57, 60; 30/26-29, 30/175, 186, 187; 132/74.5, 75.5, 75.6

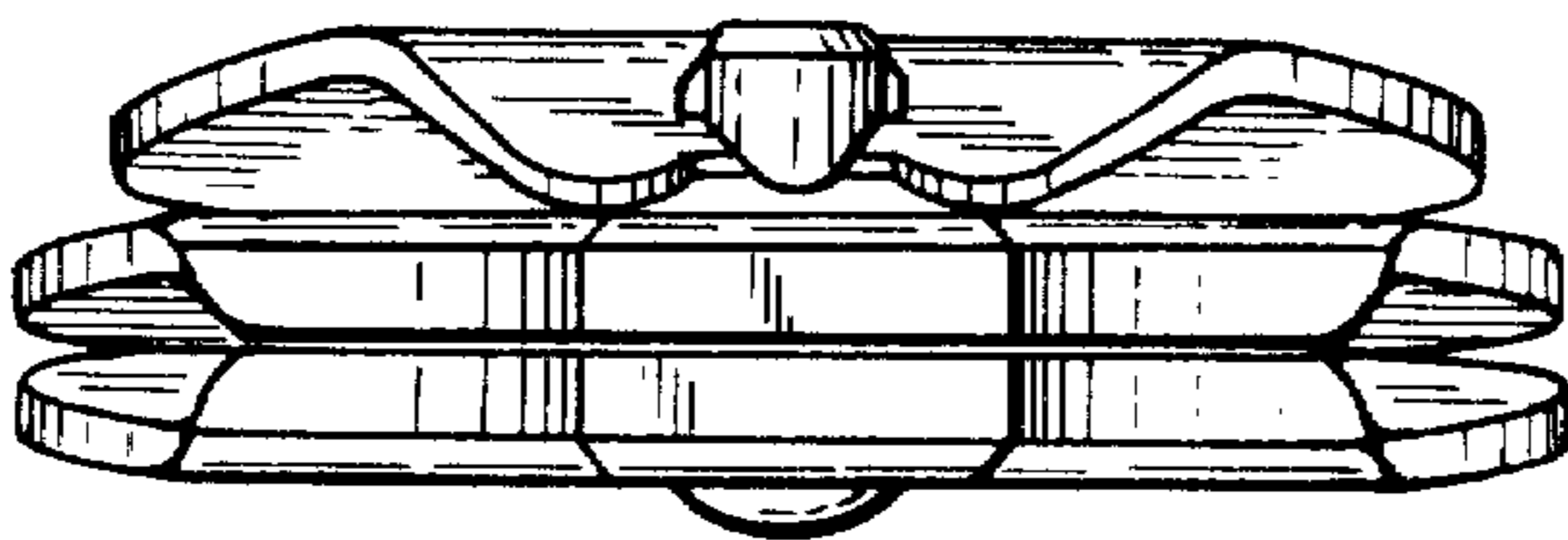
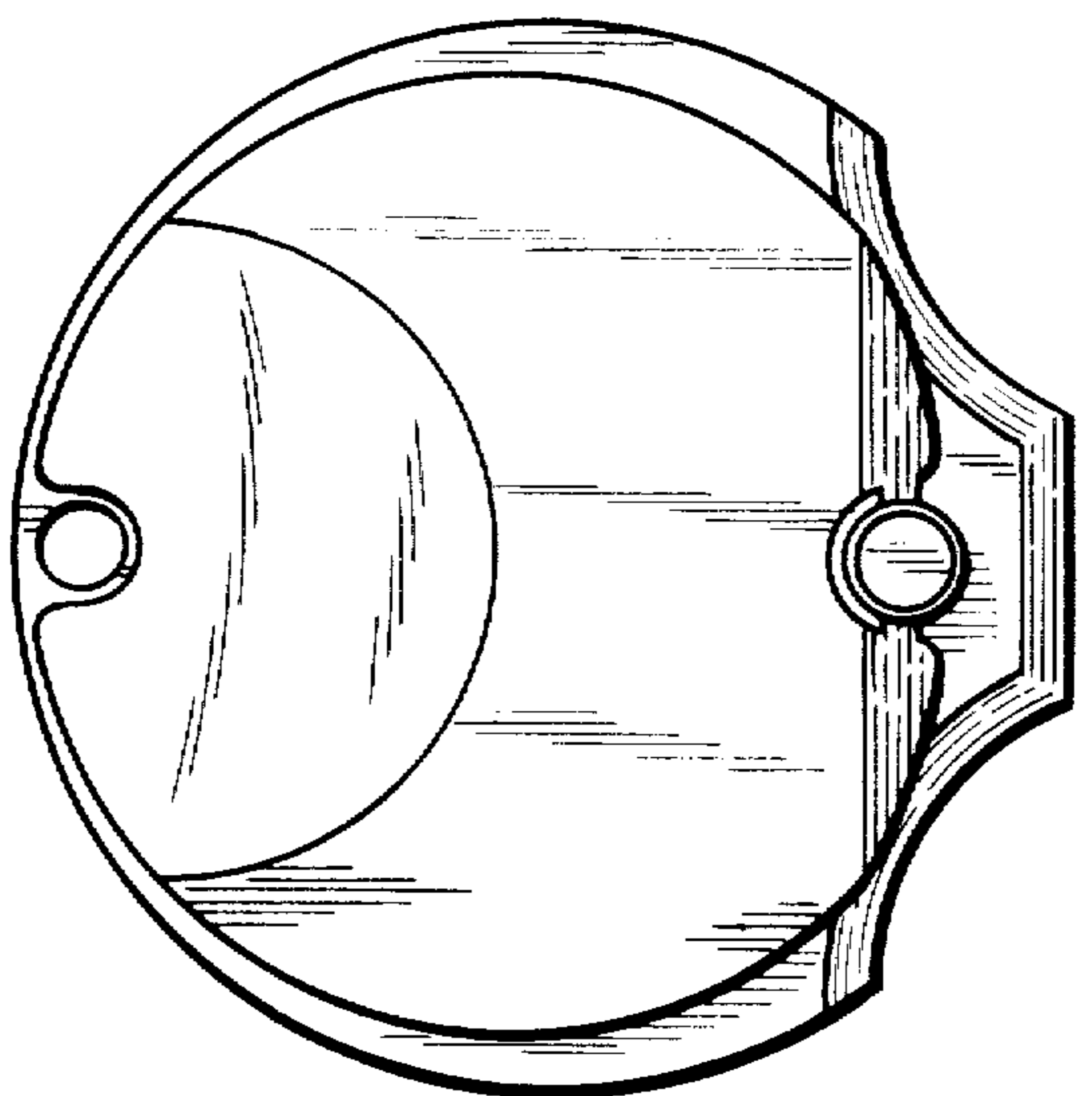
[56] References Cited
U.S. PATENT DOCUMENTS
D. 192,590 4/1962 Leopoldi D28/60
D. 225,477 12/1972 Rock D28/60
D. 232,127 7/1974 Rock D28/60

2,753,626 7/1956 Bowers 30/28
Primary Examiner—Leland A. Sebastian
Attorney, Agent, or Firm—Wm. Griffith Edwards

[57] CLAIM
The ornamental design for a fingernail clipper or the like, as shown and described.

DESCRIPTION

FIG. 1 is a top plan view of a fingernail clipper or the like showing my new design;
FIG. 2 is a left side elevational view, the right side being a mirror image thereof;
FIG. 3 is a front elevational view thereof;
FIG. 4 is a bottom plan view thereof;
FIG. 5 is a rear elevational view thereof;
FIG. 6 is a top plan view of the design with the lever in a raised position; and
FIG. 7 is a left side elevational view of FIG. 6.



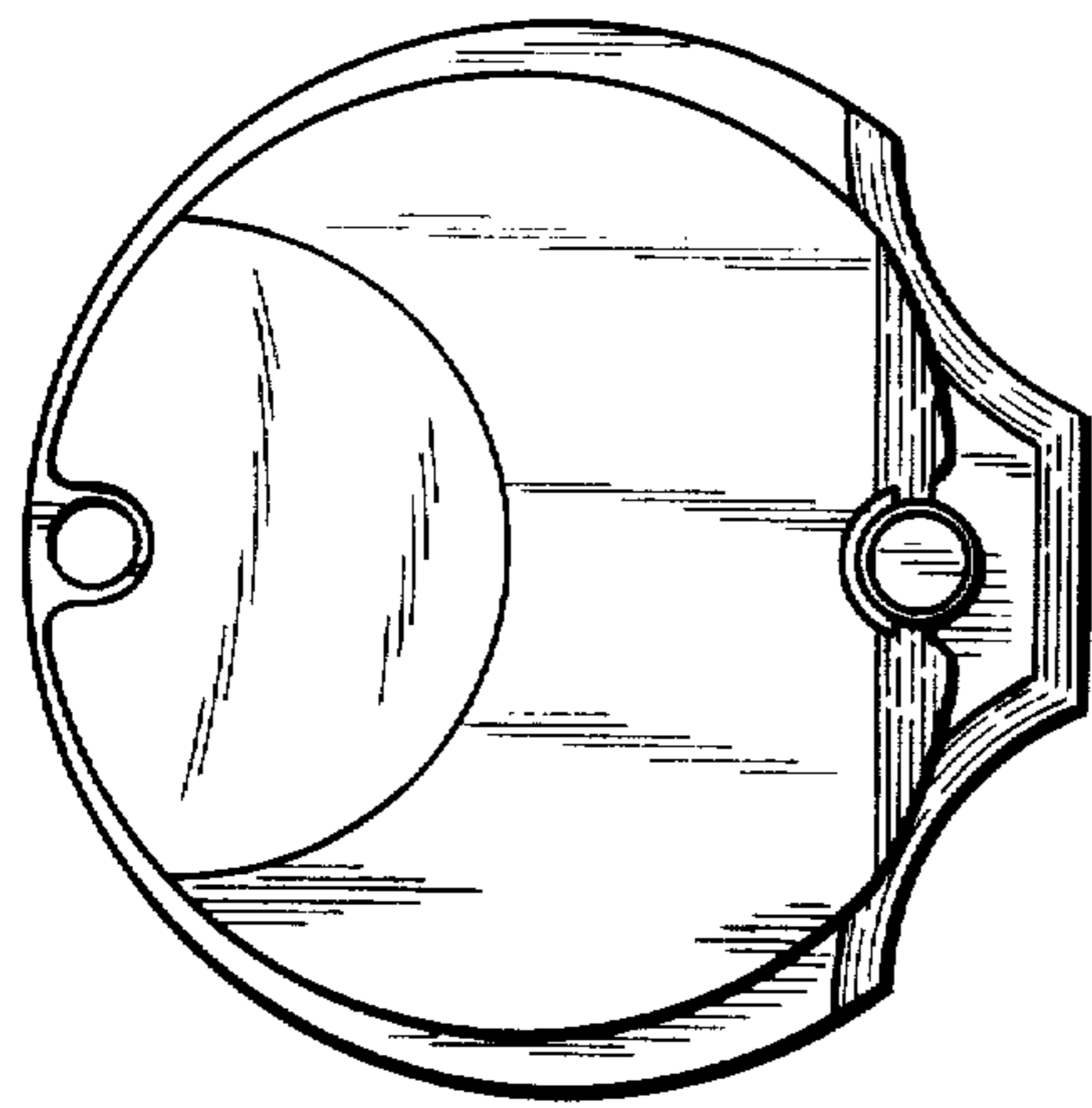


Fig. 1

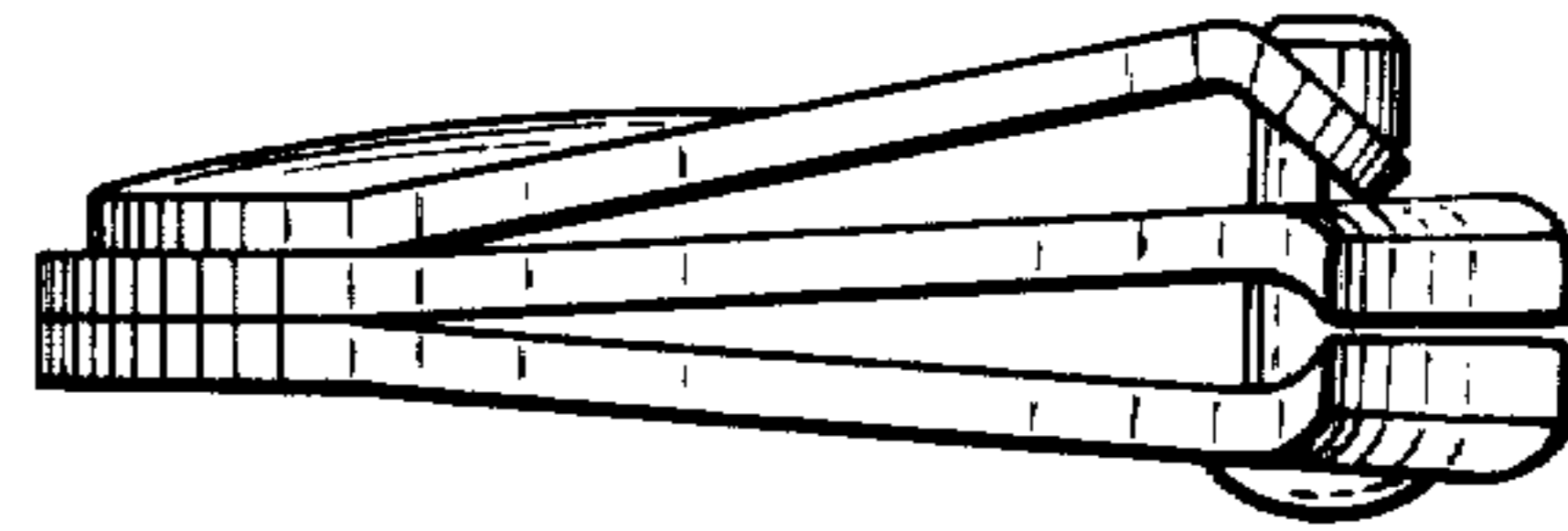


Fig. 2

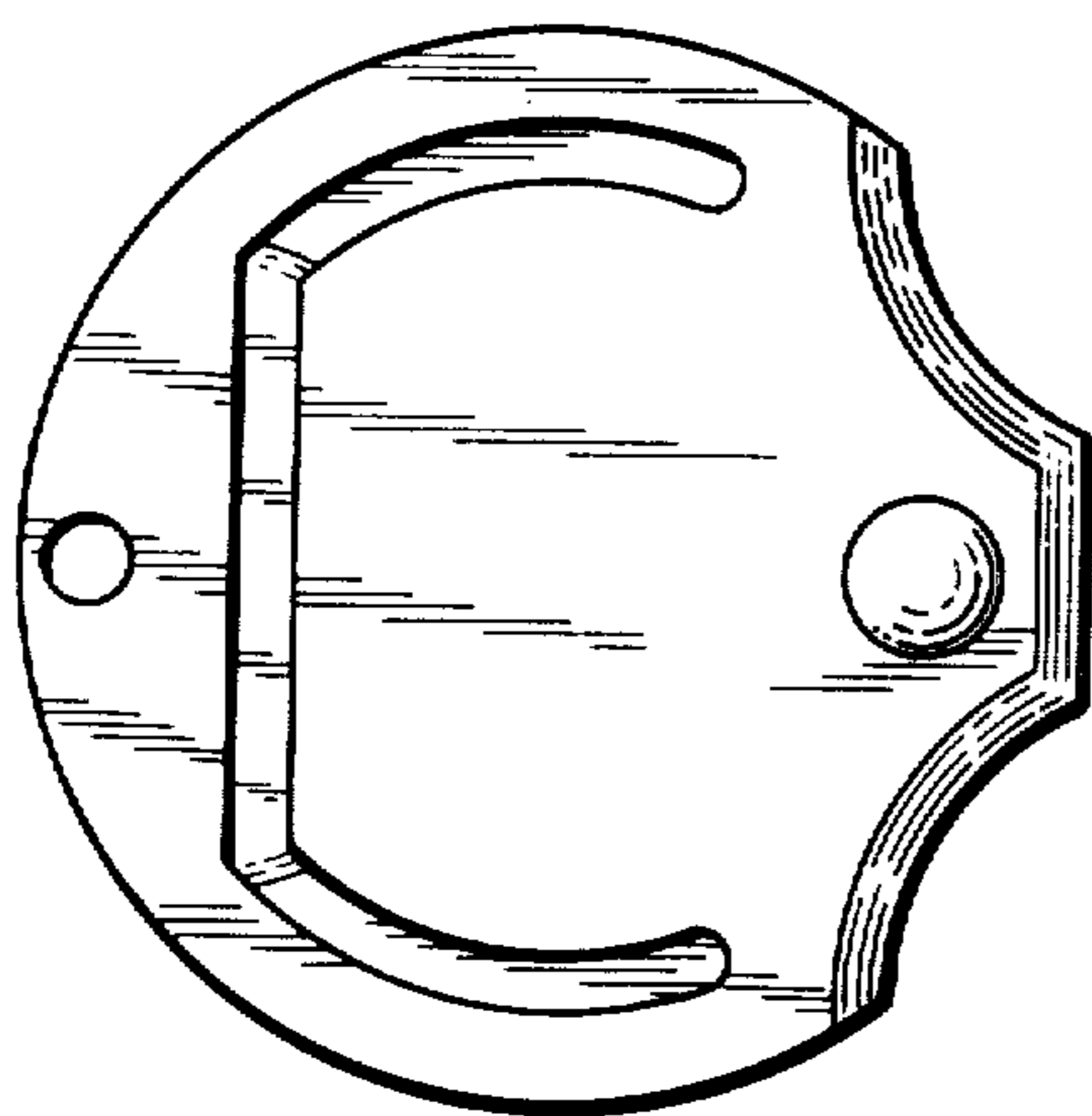


Fig. 4

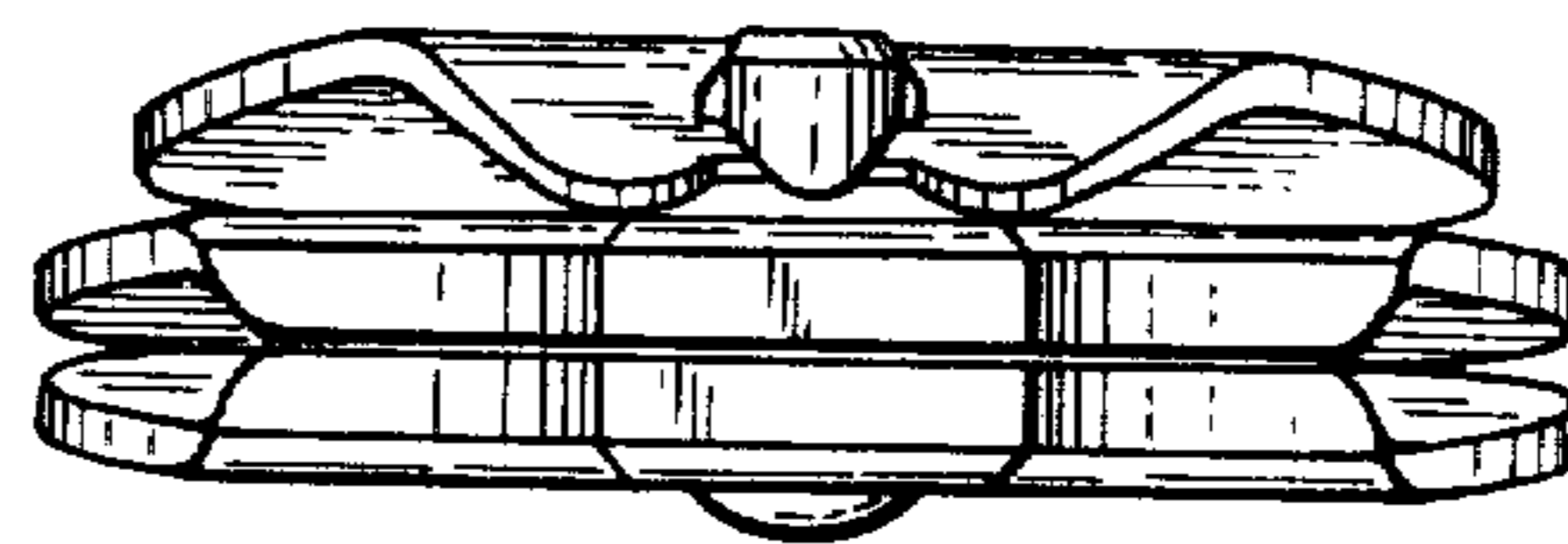


Fig. 3

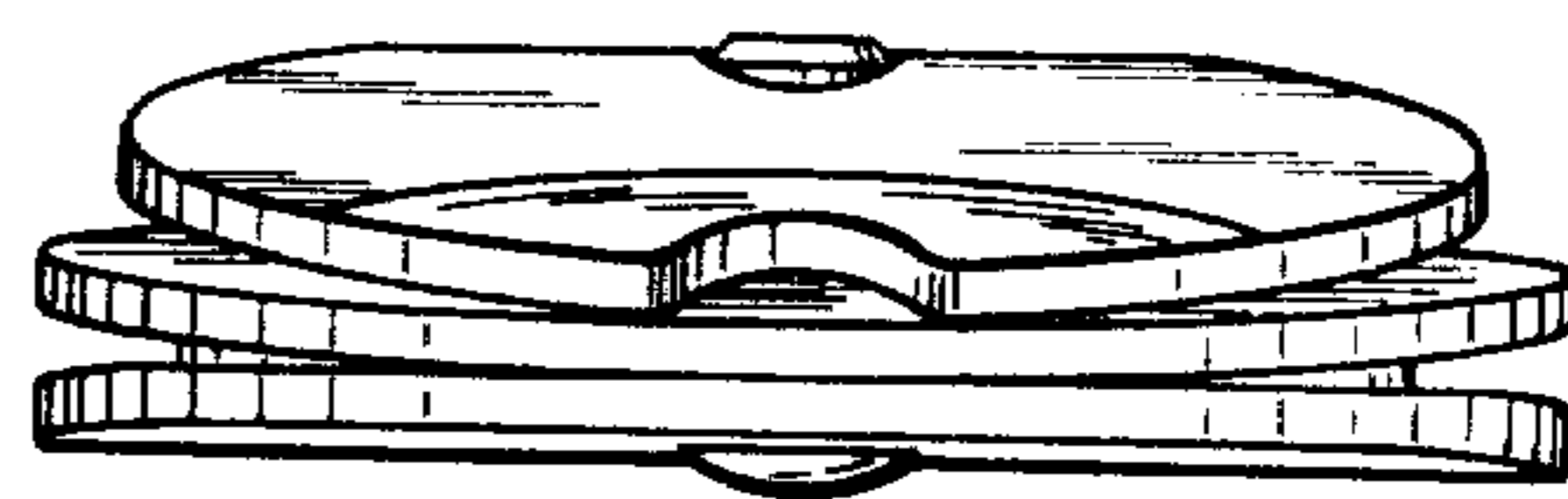


Fig. 5

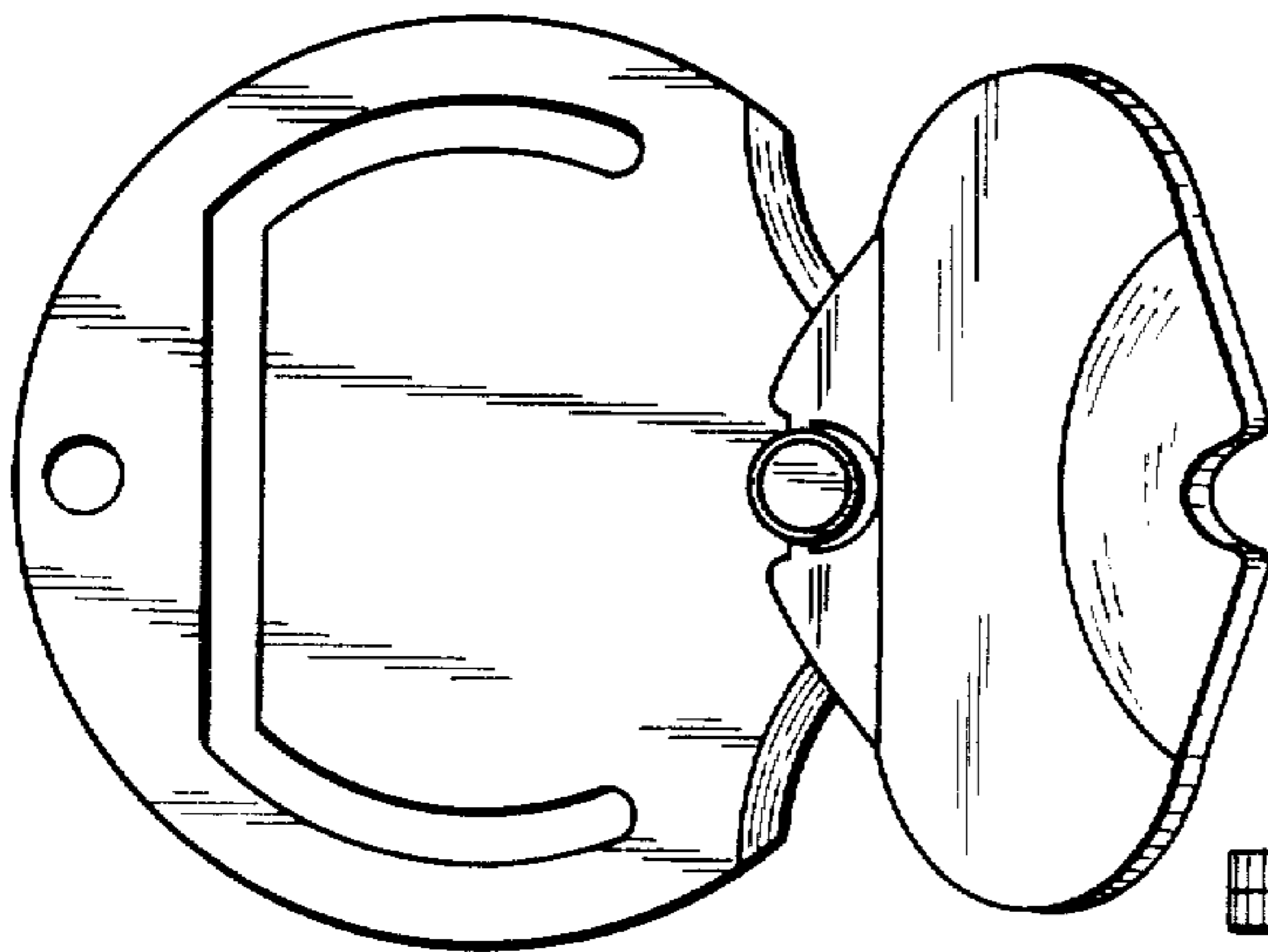


Fig. 6

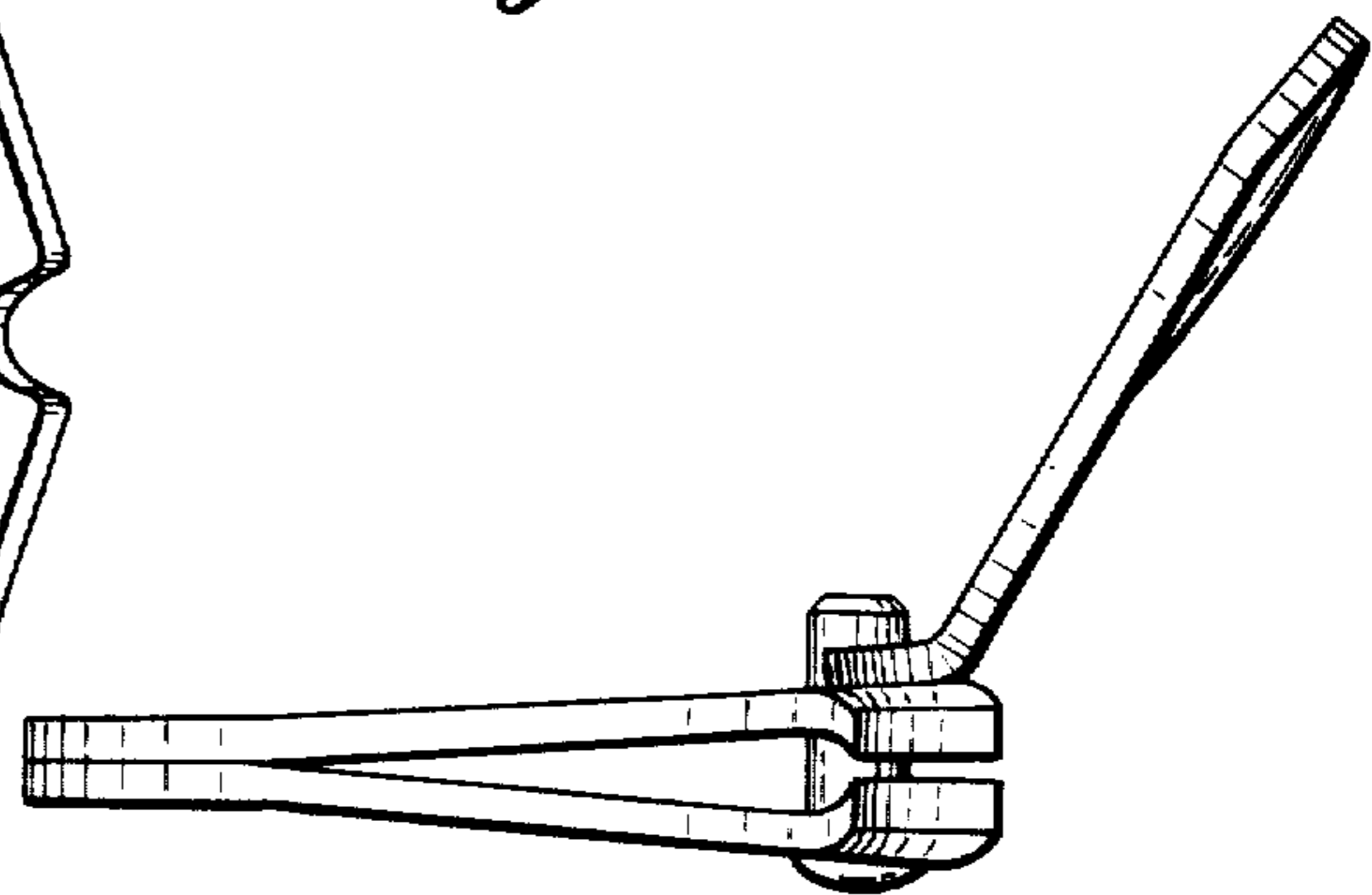


Fig. 7