

- [54] PERCUSSOR APPARATUS
- [75] Inventor: Robert C. McShirley, Glendale, Calif.
- [73] Assignee: McShirley Products, Inc., Glendale, Calif.
- [**] Term: 14 Years
- [21] Appl. No.: 232,249
- [22] Filed: Feb. 6, 1981
- [51] Int. Cl. D24—02; D28—03
- [52] U.S. Cl. D24/41; D24/8; D24/99
- [58] Field of Search 128/54, 55, 53, 24.1, 128/24.2, 52; D24/8, 17, 41, 99, 36

- D. 223,876 6/1972 Hilger D24/41
- 3,277,887 10/1966 Thomas 128/54 X
- 3,955,563 5/1976 Malone 128/55 X
- 4,079,733 3/1978 Denton et al. 128/55
- 4,265,228 5/1981 Zoll 128/55

Primary Examiner—Bernard Ansher
 Attorney, Agent, or Firm—Blakely, Sokoloff, Taylor & Zafman

[57] CLAIM

The ornamental design for a percussor apparatus, substantially as shown.

DESCRIPTION

FIG. 1 is a perspective view of the percussor apparatus, showing my new design;
 FIG. 2 is a front elevation view thereof;
 FIG. 3 is a top plan view thereof;
 FIG. 4 is a rear elevation view thereof;
 FIG. 5 is a bottom plan view thereof;
 FIG. 6 is a left end view thereof; and,
 FIG. 7 is a right end view thereof.

- [56] References Cited
- U.S. PATENT DOCUMENTS
- D. 43,807 4/1913 Safar D24/41
- D. 222,570 11/1971 Rowley et al. D24/41

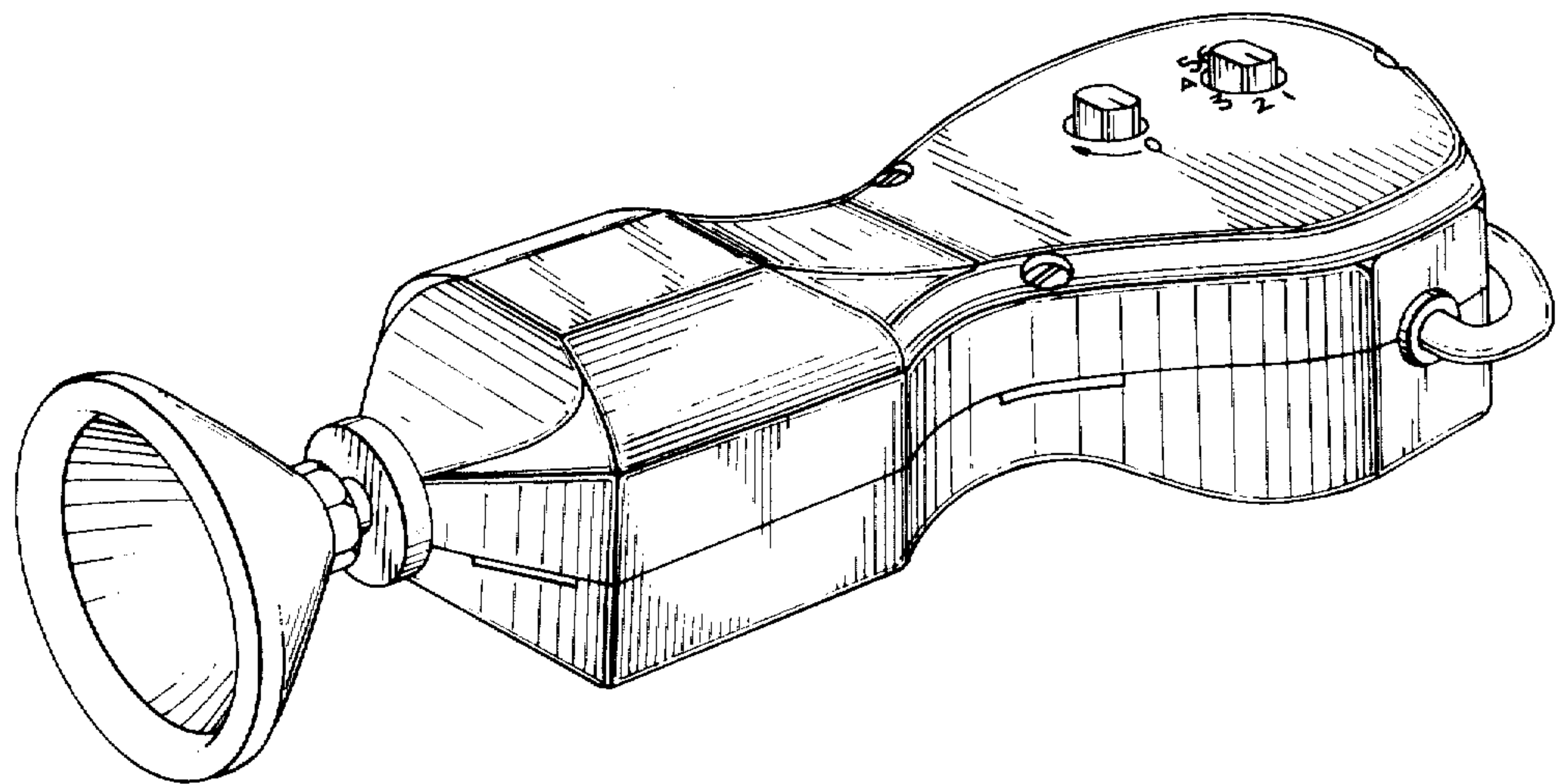


Fig. 1

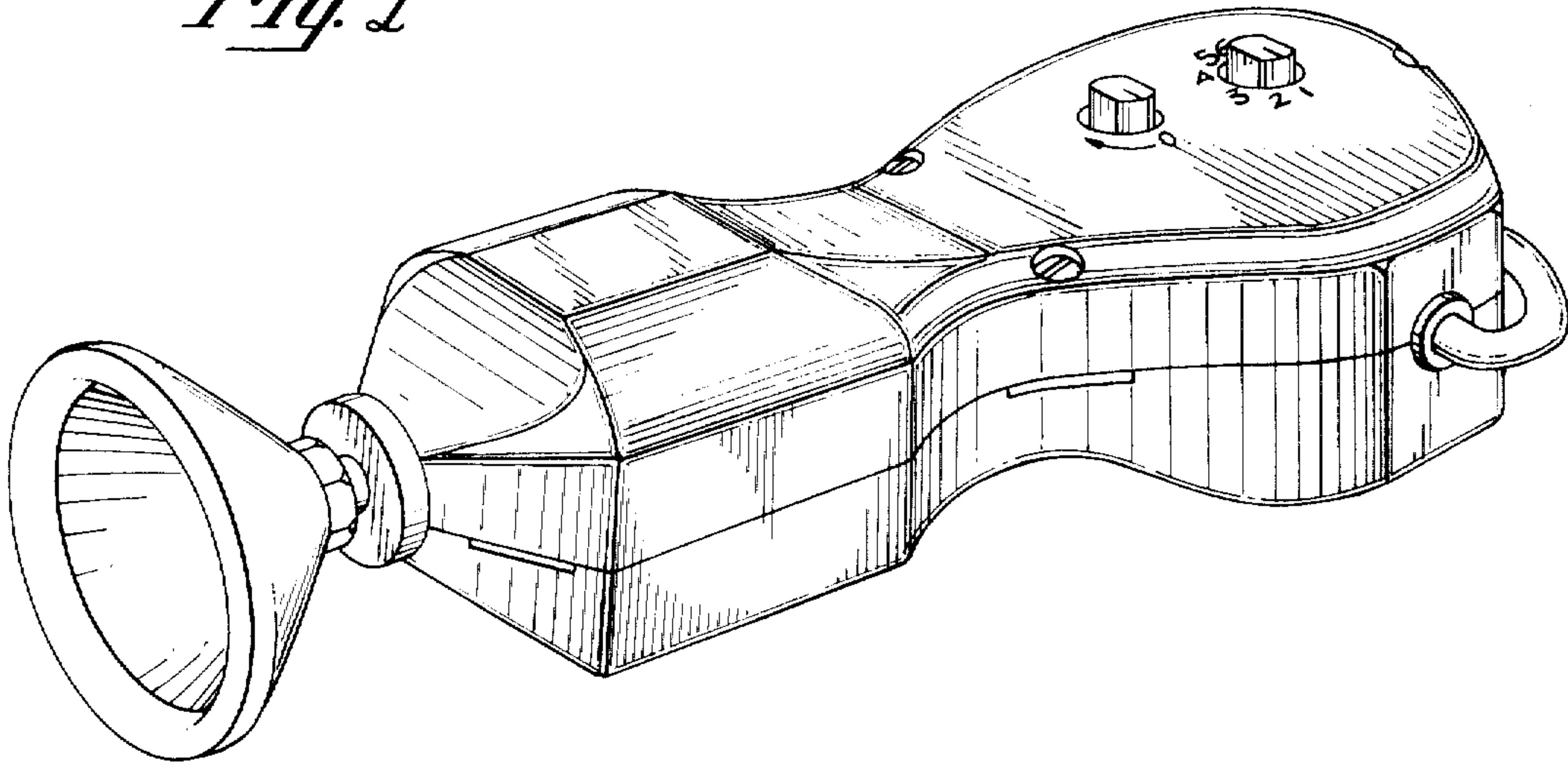


Fig. 2

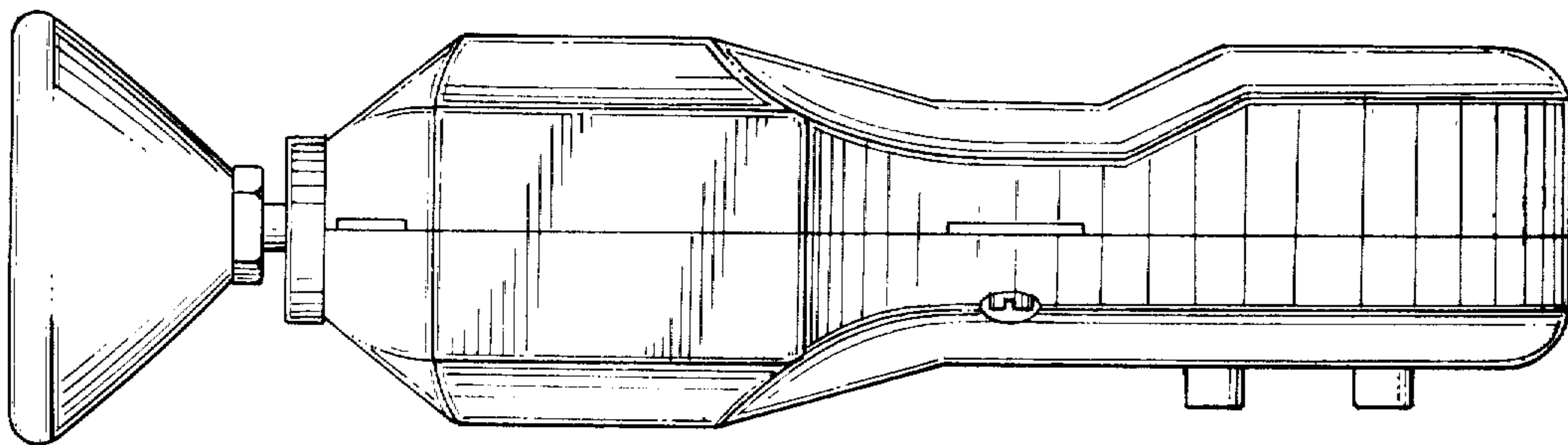
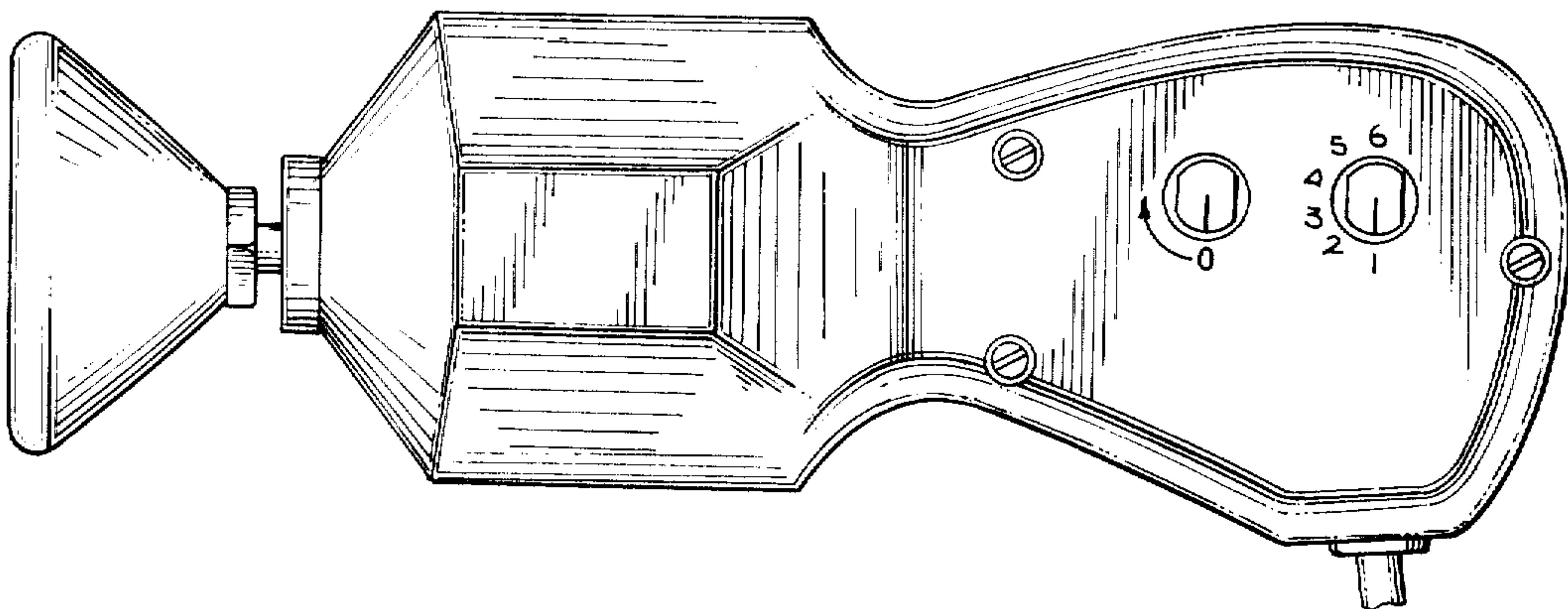


Fig. 3

Fig. 4

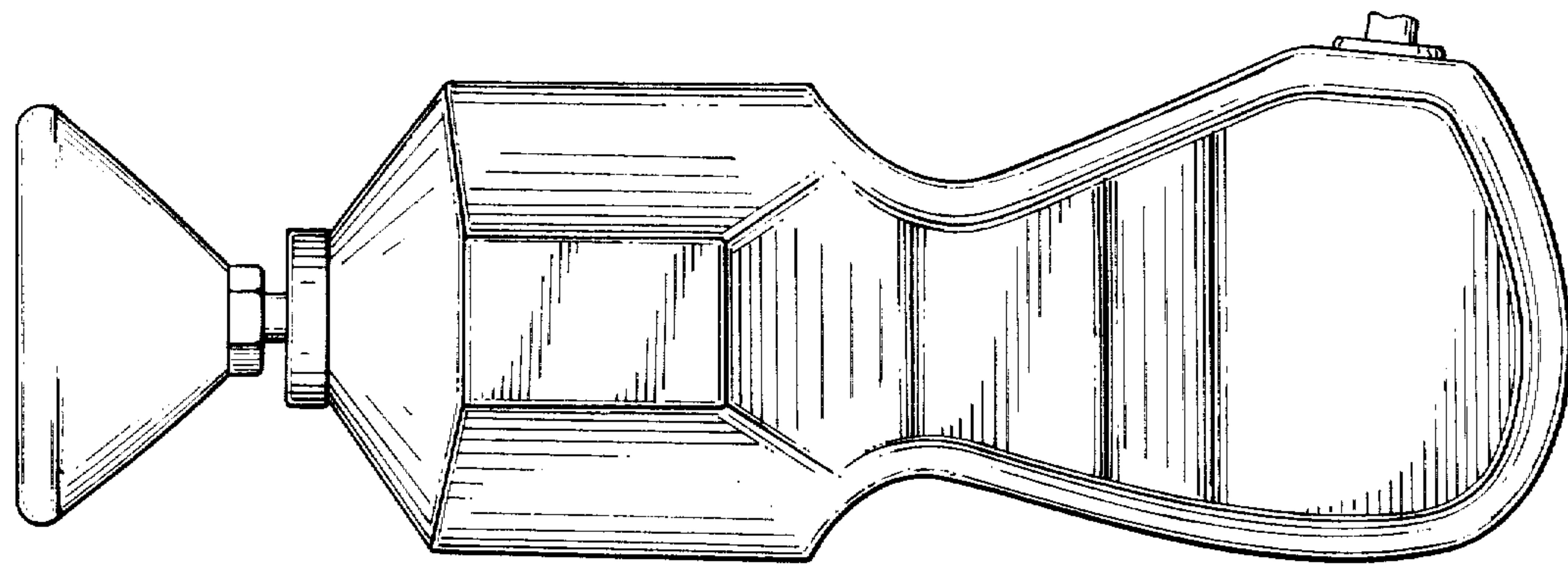


Fig. 5

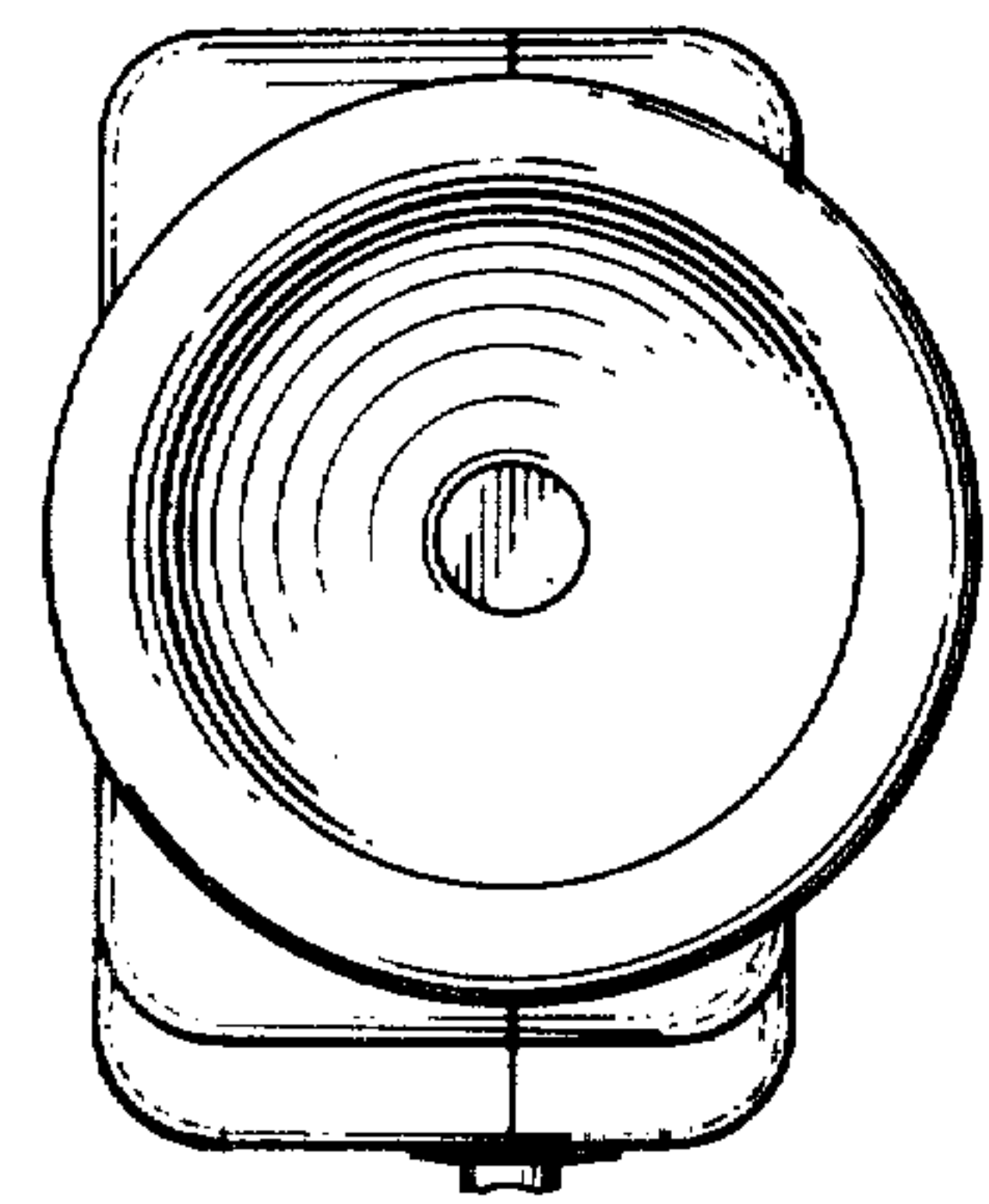
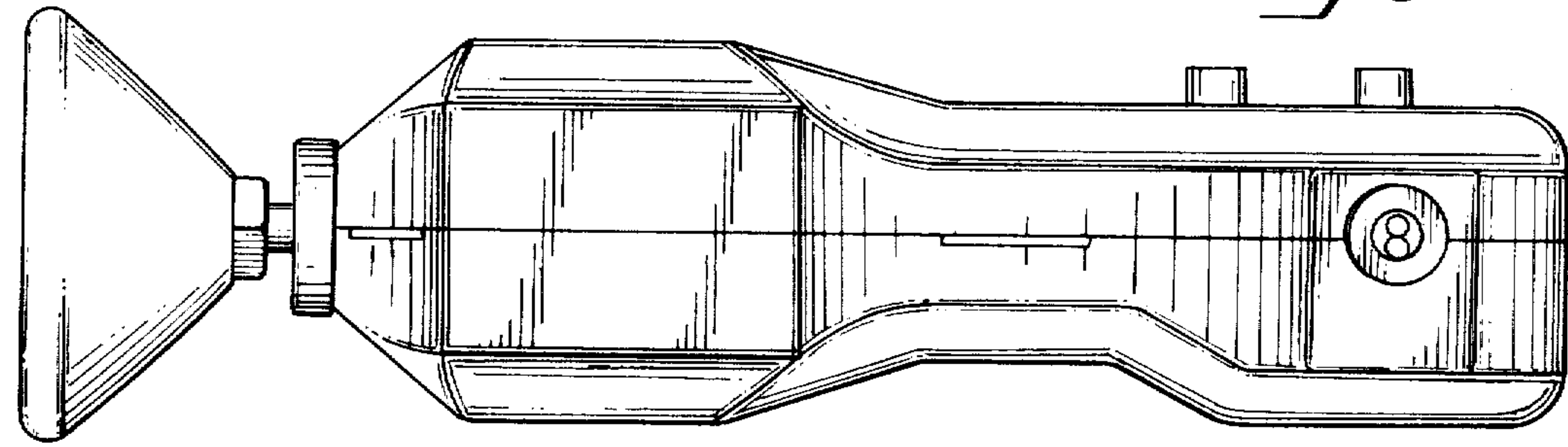


Fig. 6

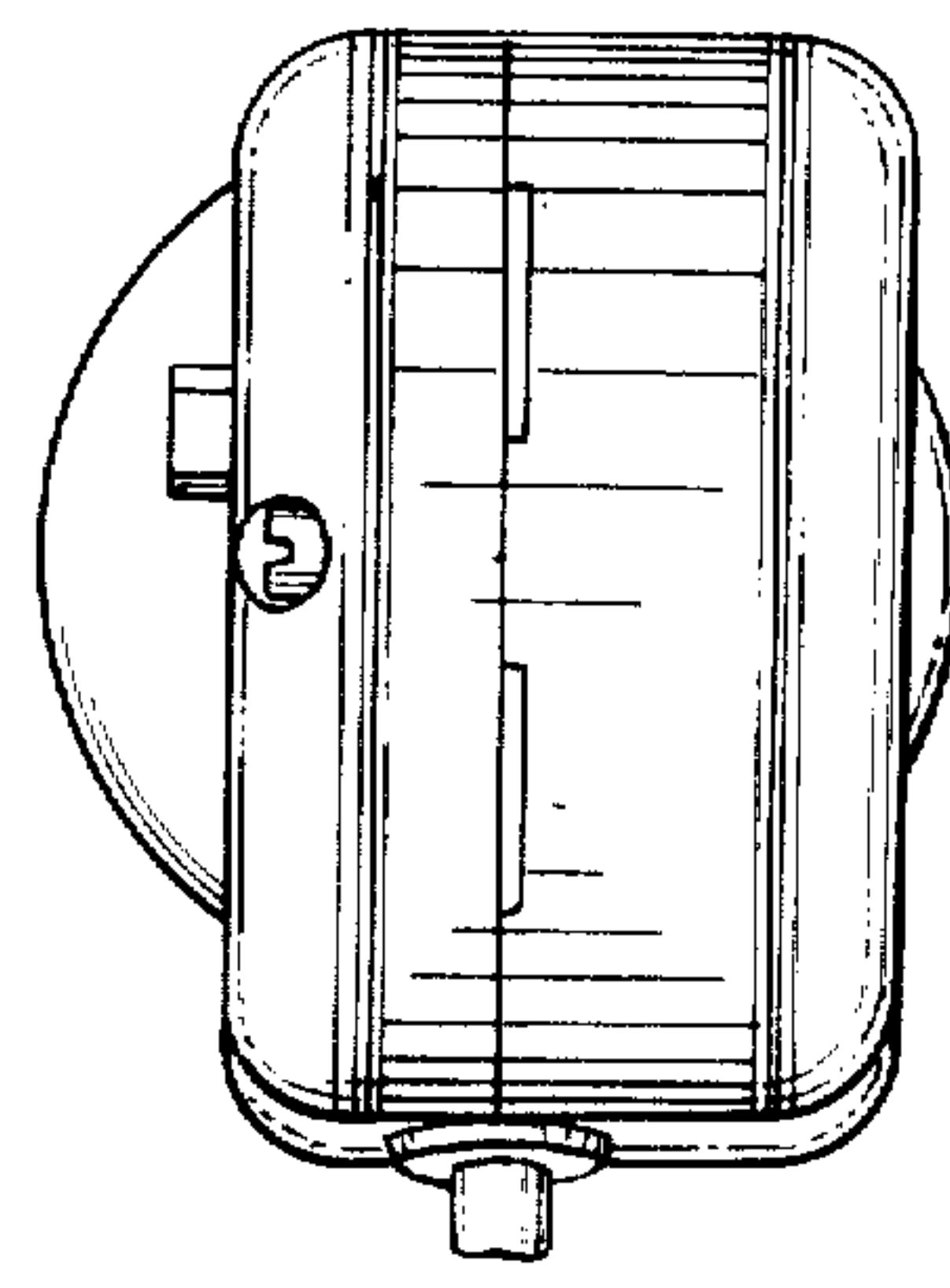


Fig. 7