

- [54] **HYDROTHERAPY SPA**
 [75] Inventor: **Richard G. Reineman**, Newport Beach, Calif.
 [73] Assignee: **Marlin Fiberglass**, Huntington Beach, Calif.
 [**] Term: **14 Years**
 [21] Appl. No.: **128,637**
 [22] Filed: **Mar. 10, 1980**

Related U.S. Application Data

- [63] Continuation-in-part of Ser. No. 47,274, Jun. 11, 1979, Pat. No. Des. 254,447, which is a continuation-in-part of Ser. No. 5,911, Jan. 23, 1979, abandoned.
 [51] Int. Cl. **D24—01; D23—02; D25—99**
 [52] U.S. Cl. **D24/38; D23/55; D25/2**
 [58] Field of Search **D24/36, 38; D23/55, D23/56, 48, 49; D25/2; 128/66, 366, 367; 4/492, 489, 542, 513, 497, 524**

References Cited

U.S. PATENT DOCUMENTS

- D. 149,340 4/1948 Clemetsen D25/02

- D. 149,341 4/1948 Clemetsen D25/02
 D. 221,495 8/1971 Cavenah D24/38
 D. 240,084 5/1976 Melchior D24/38 X
 D. 247,977 5/1978 Jacuzzi D24/38
 D. 251,016 2/1979 Stangle D24/38
 3,688,775 9/1972 Raymann 128/66
 3,952,338 4/1976 Traxclair 4/492

OTHER PUBLICATIONS

Gerico Fiberglass Products, Inc. Brochure, "The Octavion" Spa Design, ©1979.

Primary Examiner—Bernard Ansher
Attorney, Agent, or Firm—Knobbe, Martens, Olson, Hubbard & Bear

[57] **CLAIM**

The ornamental design for a hydrotherapy spa, as shown.

DESCRIPTION

FIG. 1 is a perspective view of a spa showing my new design;
 FIG. 2 is another perspective view thereof, taken from a different angle;
 FIG. 3 is a plan view thereof;
 FIG. 4 is a cross-sectional view thereof, taken along line 4—4 of FIG. 3; and
 FIG. 5 is a cross-sectional view thereof, taken along line 5—5 of FIG. 3.

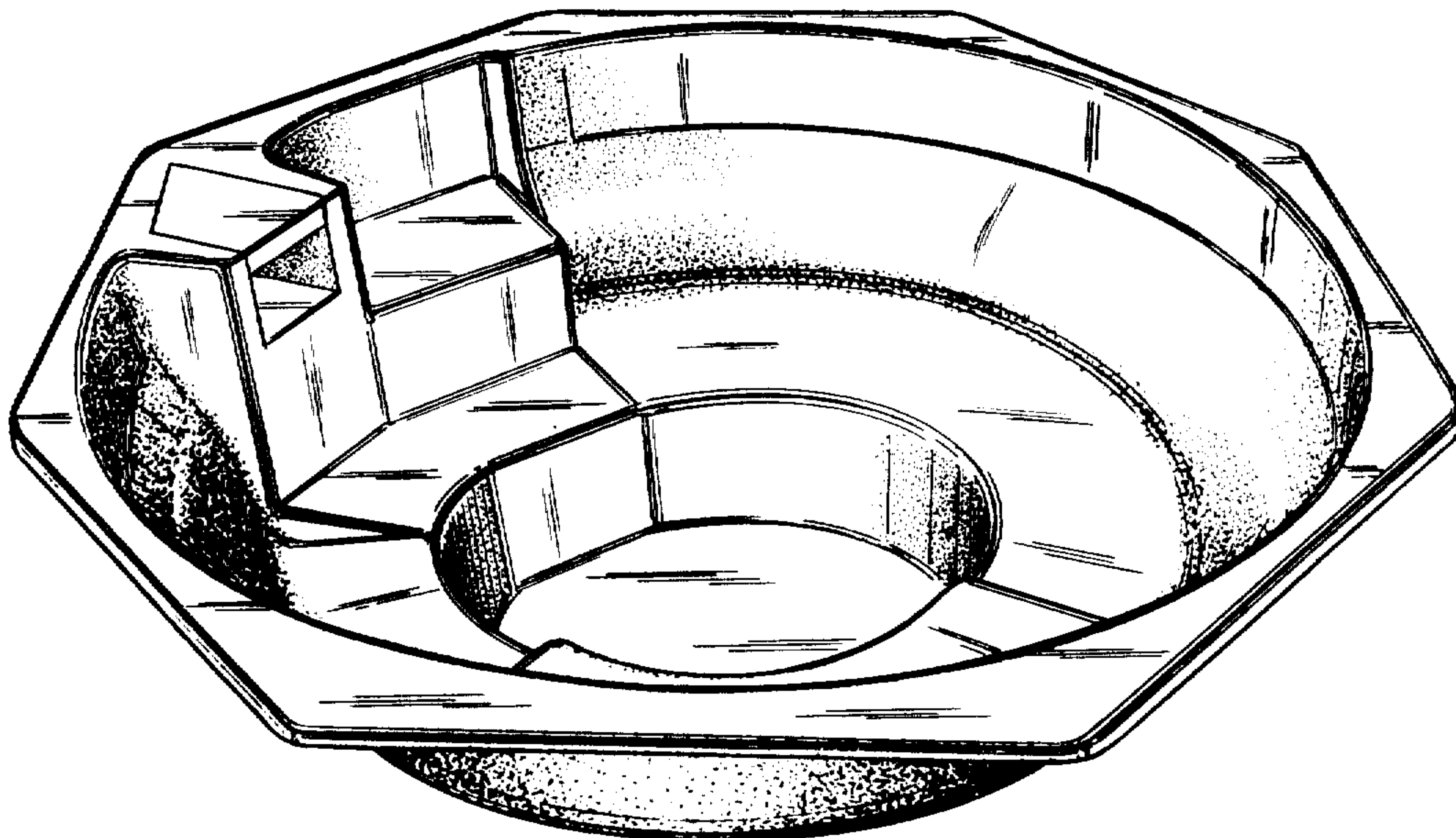


Fig. 1

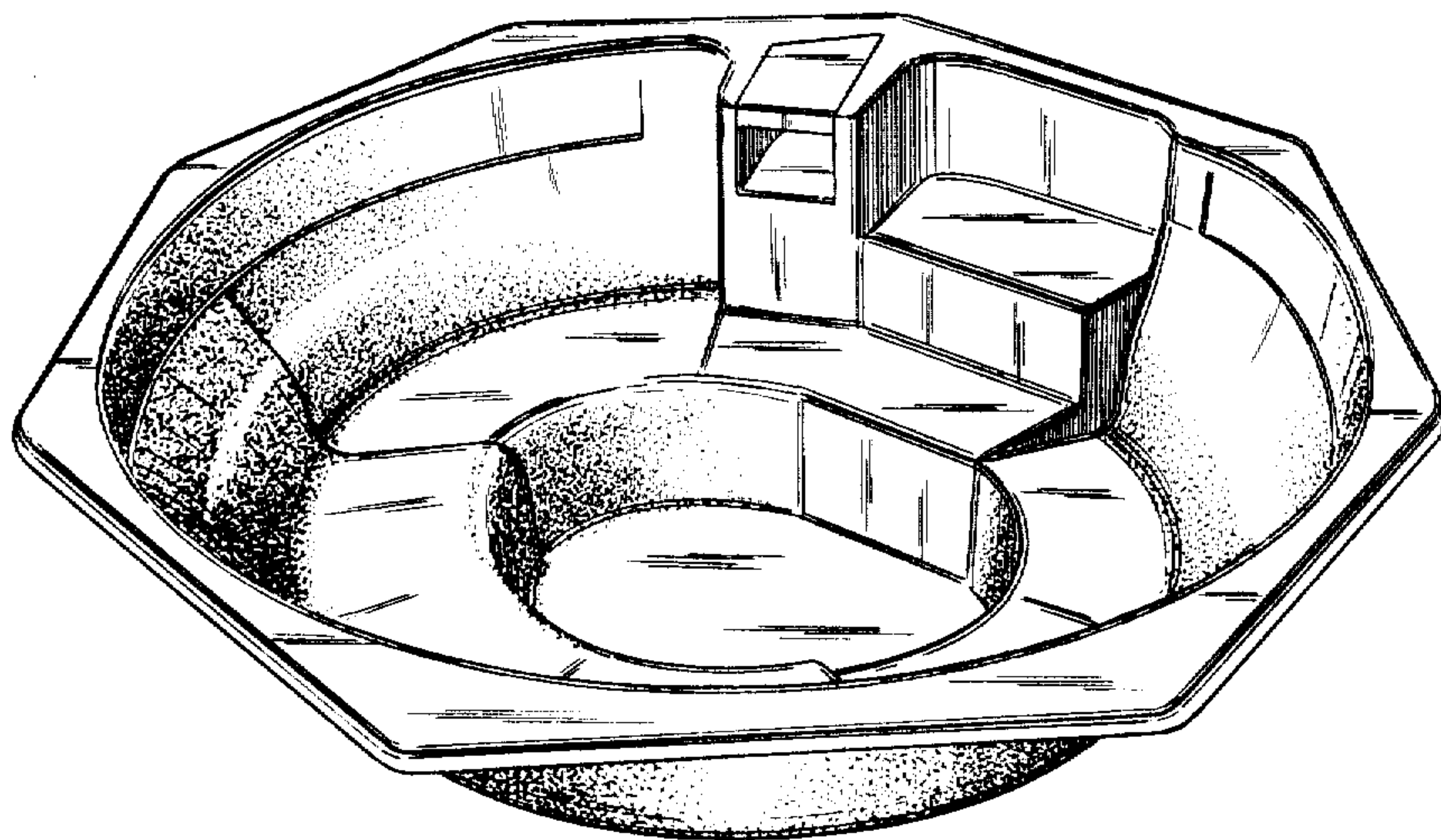
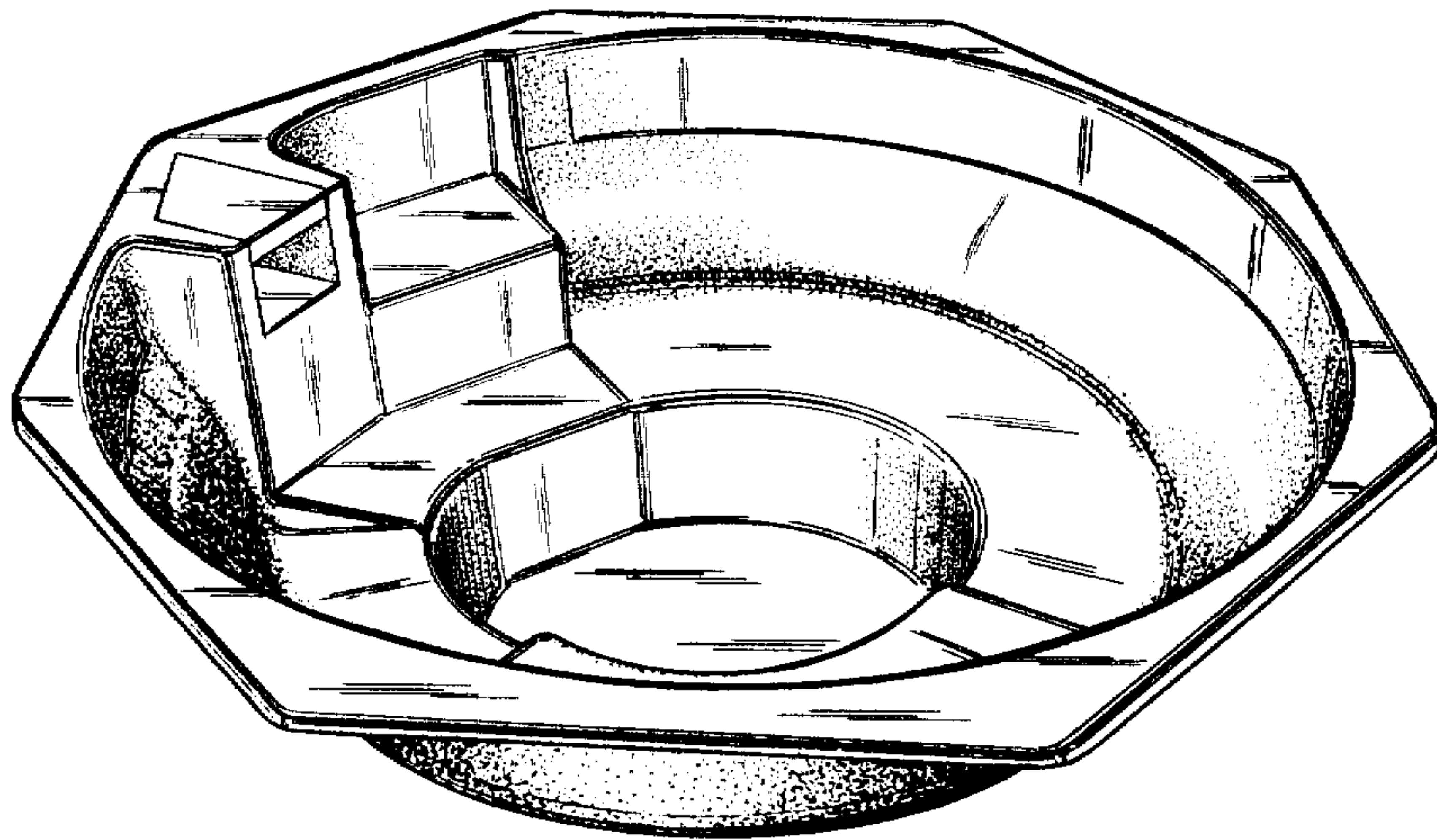


Fig. 2

Fig. 3

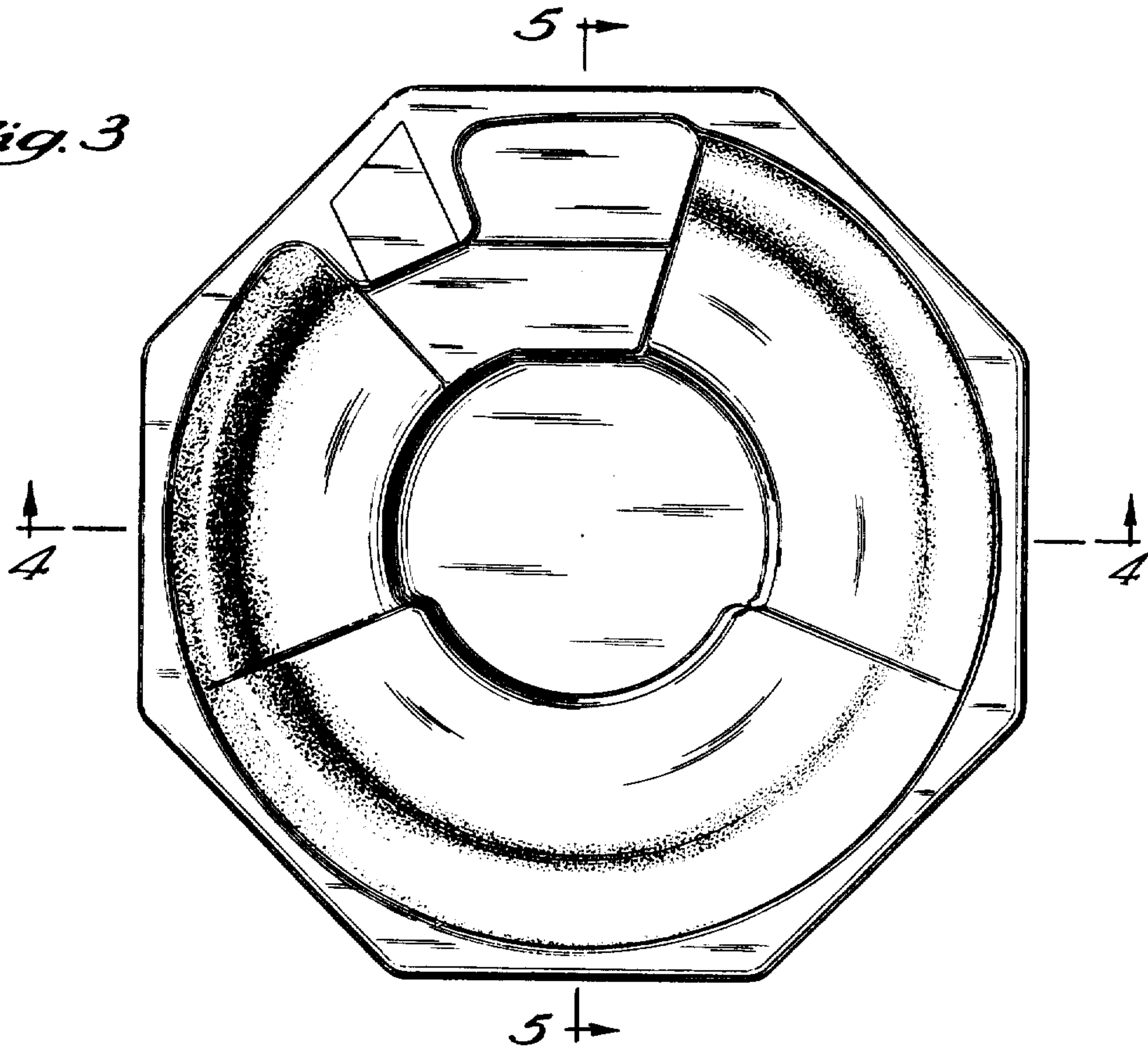


Fig. 4

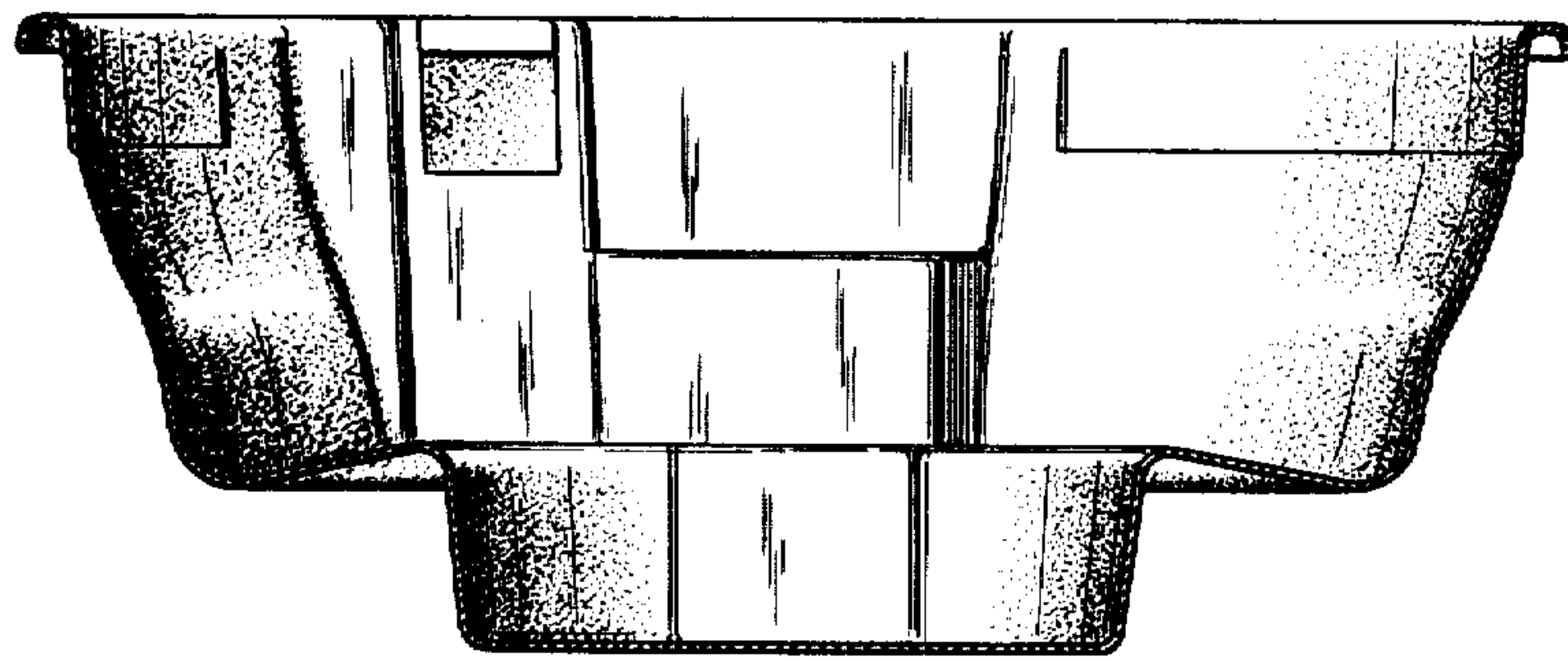


Fig. 5

