

[54] GAS TONOMETER

[76] Inventors: **Russell S. Weber**, 1522 Aspenwall Rd., Westlake Village, Calif. 91361; **Thomas H. Miller**, 798 Malat Dr., Newbury Park, Calif. 91320

[**] Term: **14 Years**

[21] Appl. No.: **84,808**

[22] Filed: **Oct. 15, 1979**

[51] Int. Cl. **D24-99**

[52] U.S. Cl. **D24/21; 23/928; 422/44**

[58] Field of Search **D24/21; 23/928; 422/44**

[56]

References Cited

U.S. PATENT DOCUMENTS

2,680,060	6/1954	Natelson	23/928
3,441,479	4/1969	Jankay	422/44
4,251,483	2/1981	Carroll	23/928
4,253,845	3/1981	Smernoff	23/928

Primary Examiner—Veronica O'Keefe
Attorney, Agent, or Firm—Ralph B. Pastoriza

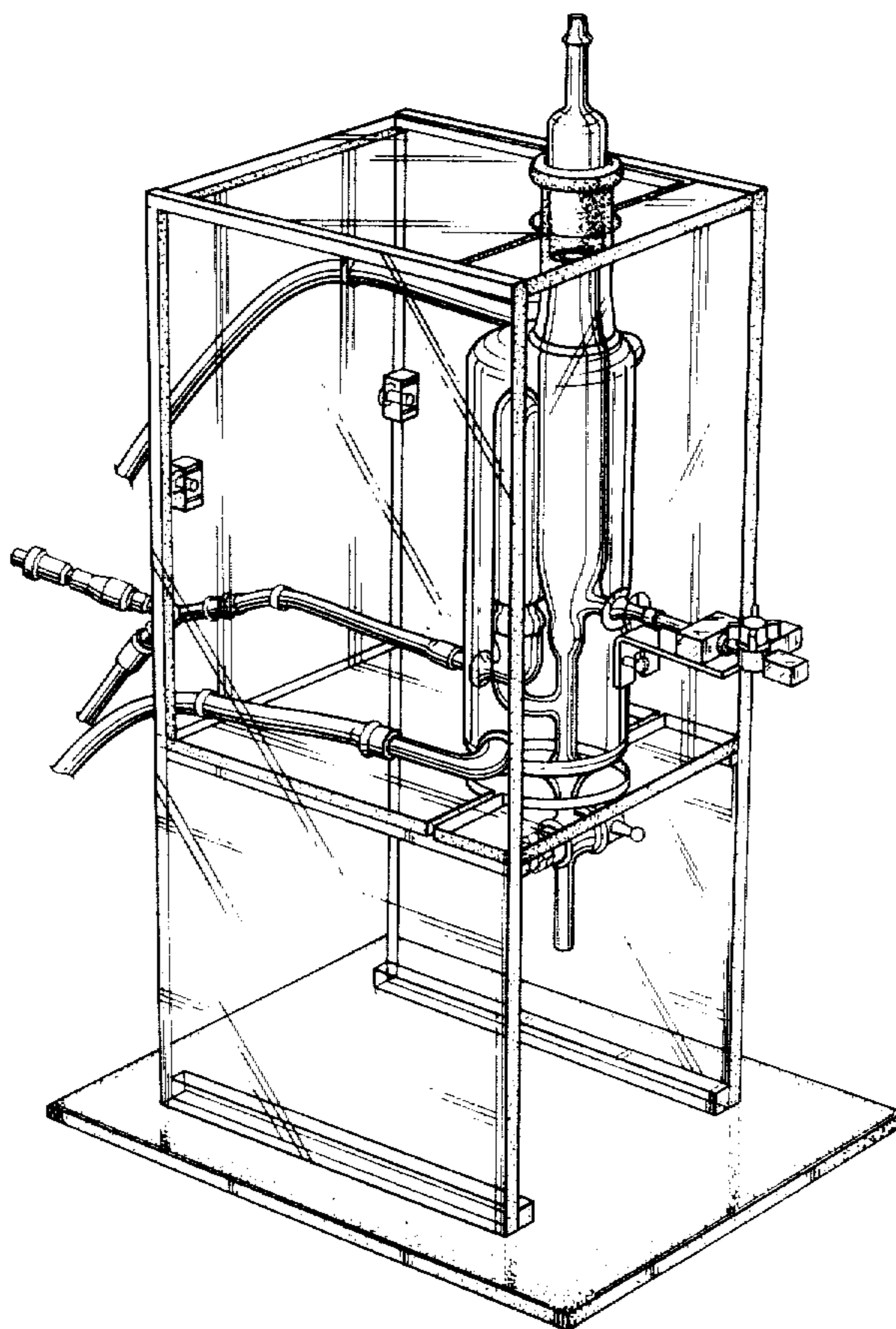
[57]

CLAIM

The ornamental design for a gas tonometer, substantially as shown.

DESCRIPTION

FIG. 1 is a front three quarter perspective view of a gas tonometer showing our new design; FIG. 2 is a right side elevational view thereof; FIG. 3 is a front elevational view thereof; FIG. 4 is a left side elevational view thereof; FIG. 5 is a rear elevational view thereof; and FIG. 6 is a top plan view thereof.



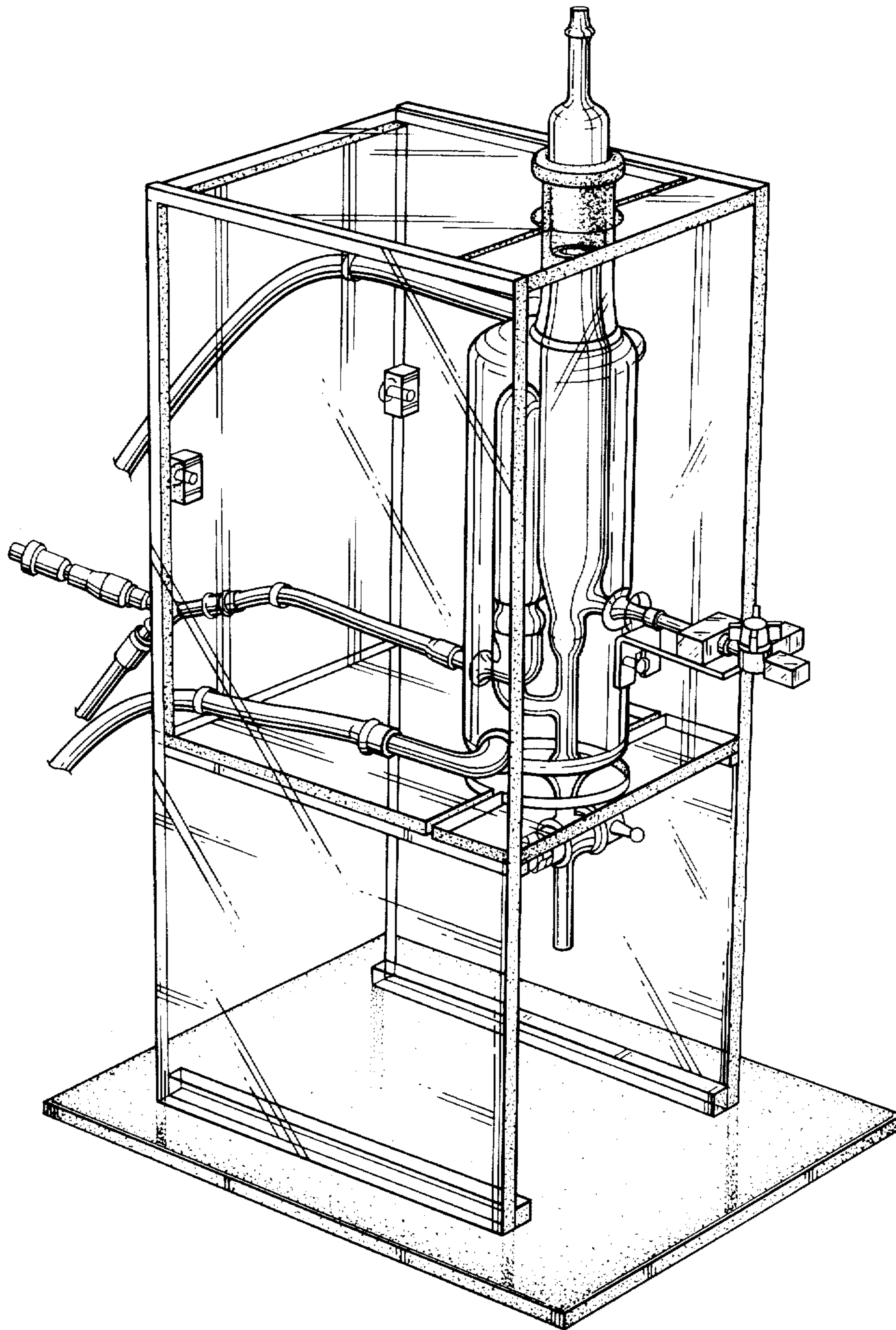


FIG. 1

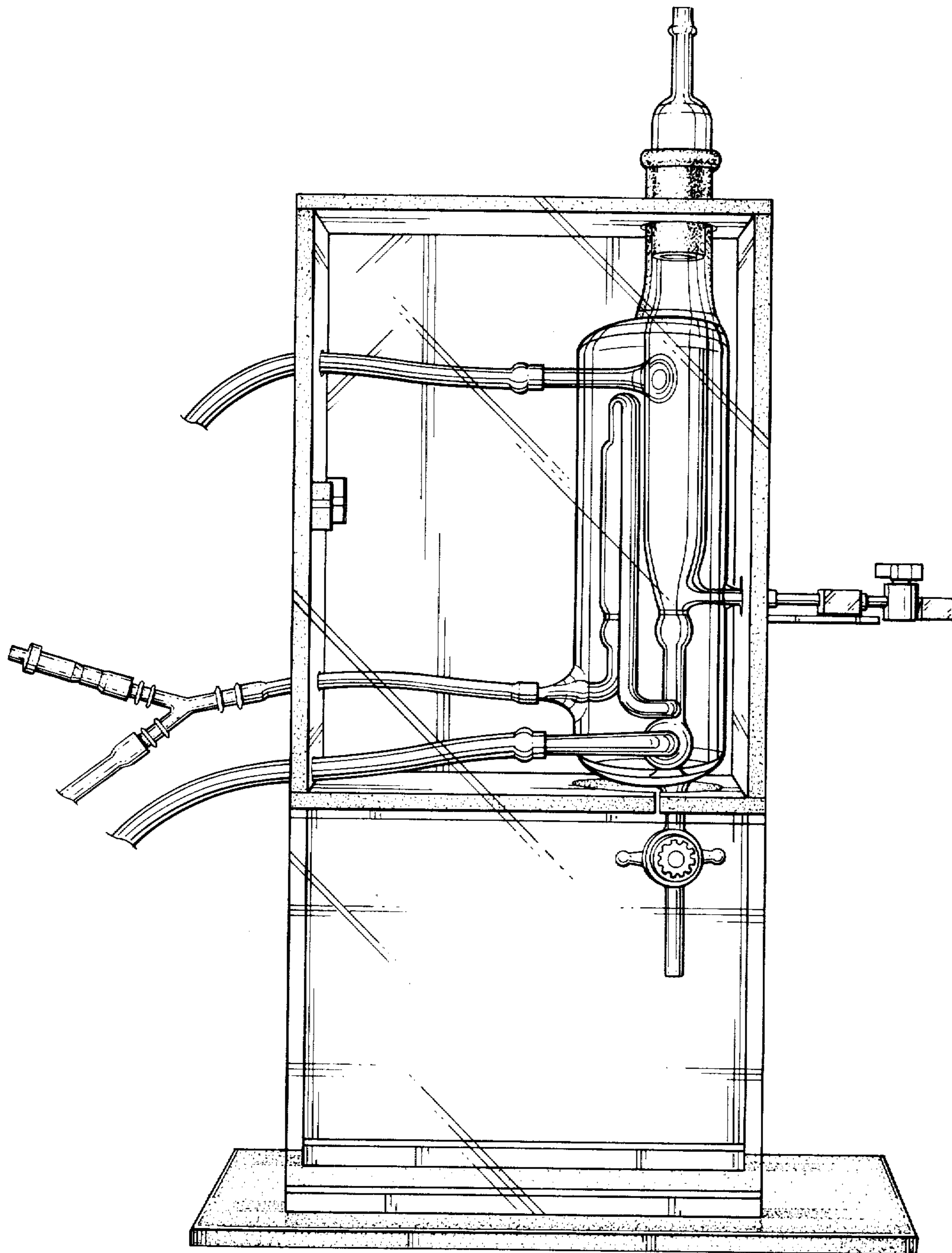


FIG. 2

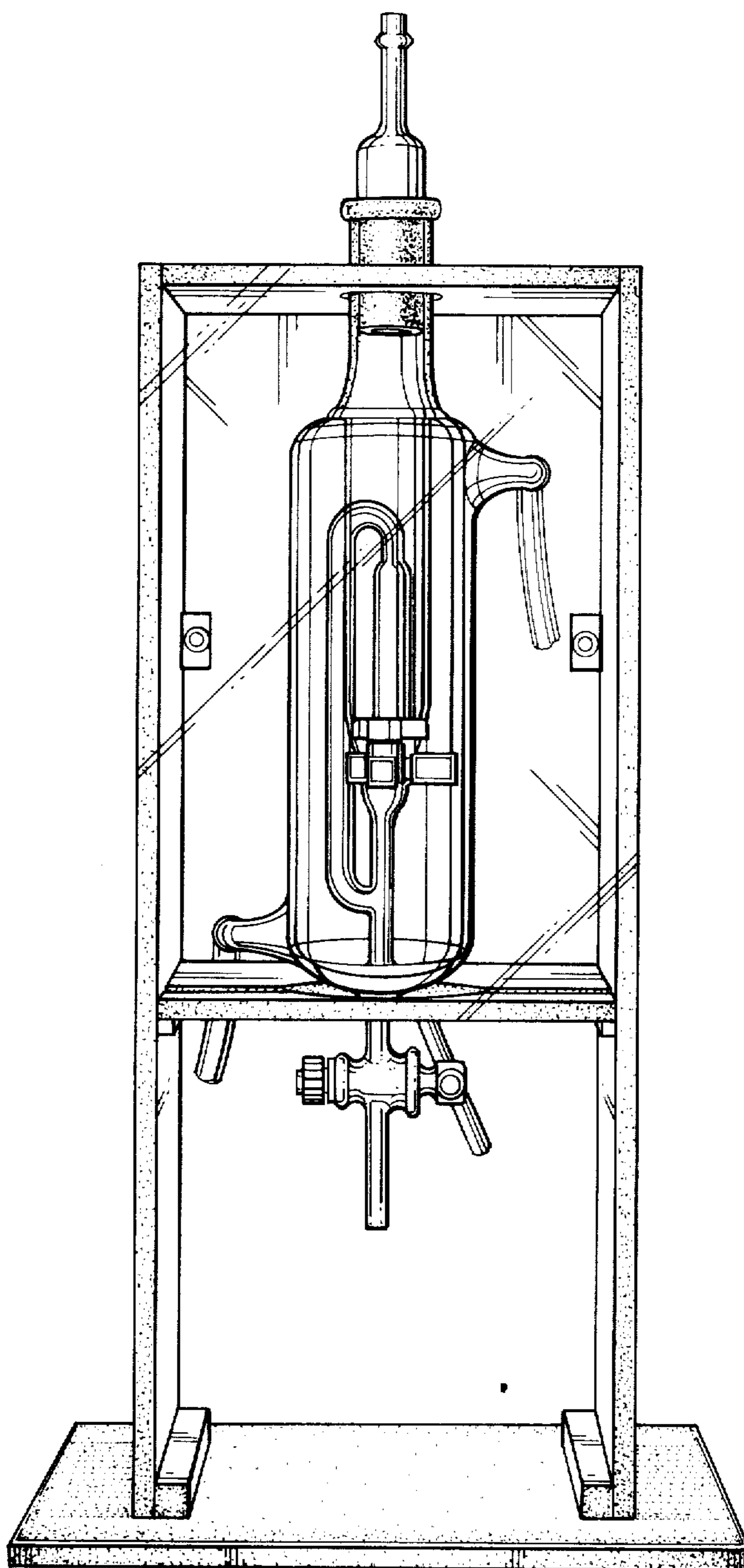


FIG. 3

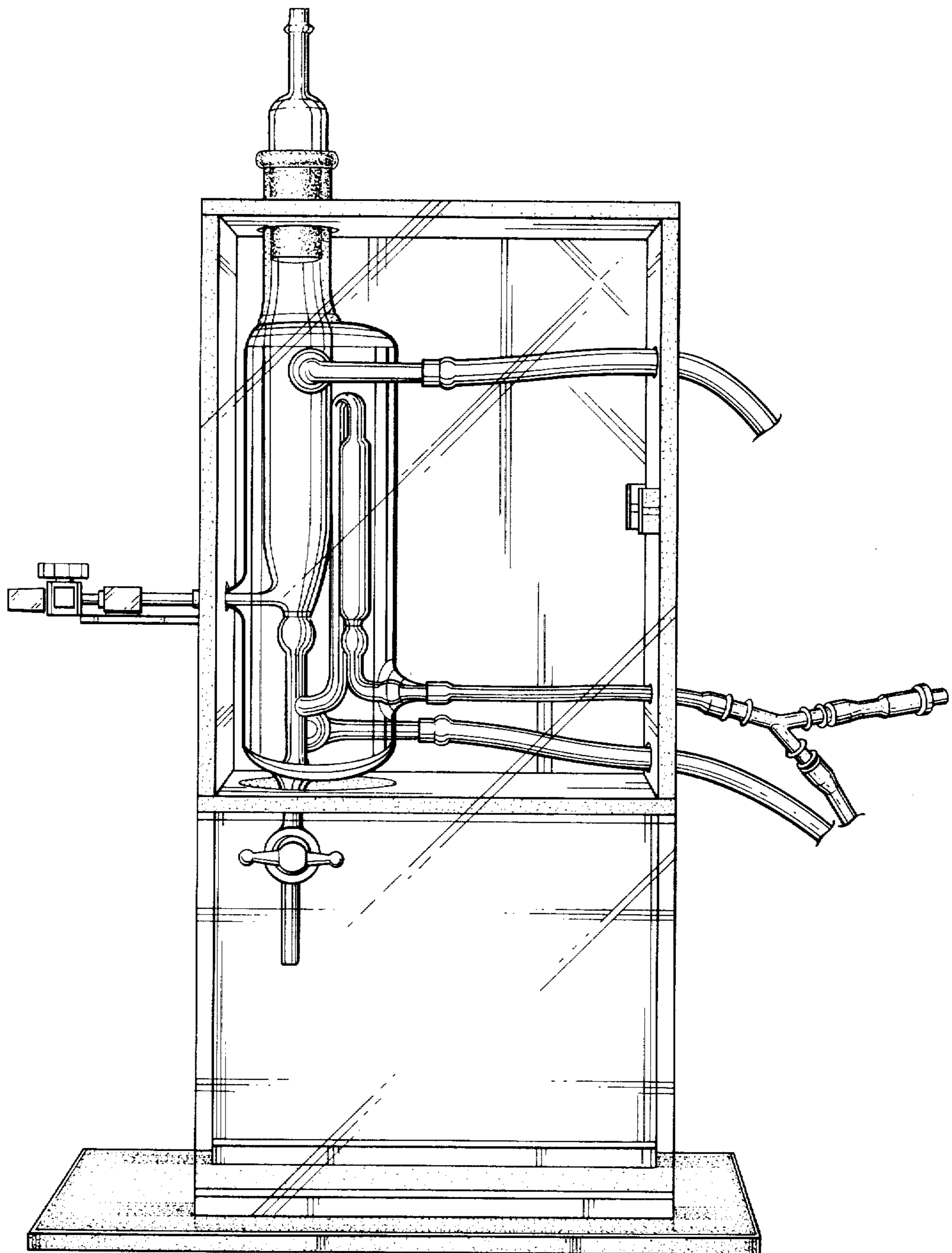


FIG. 4

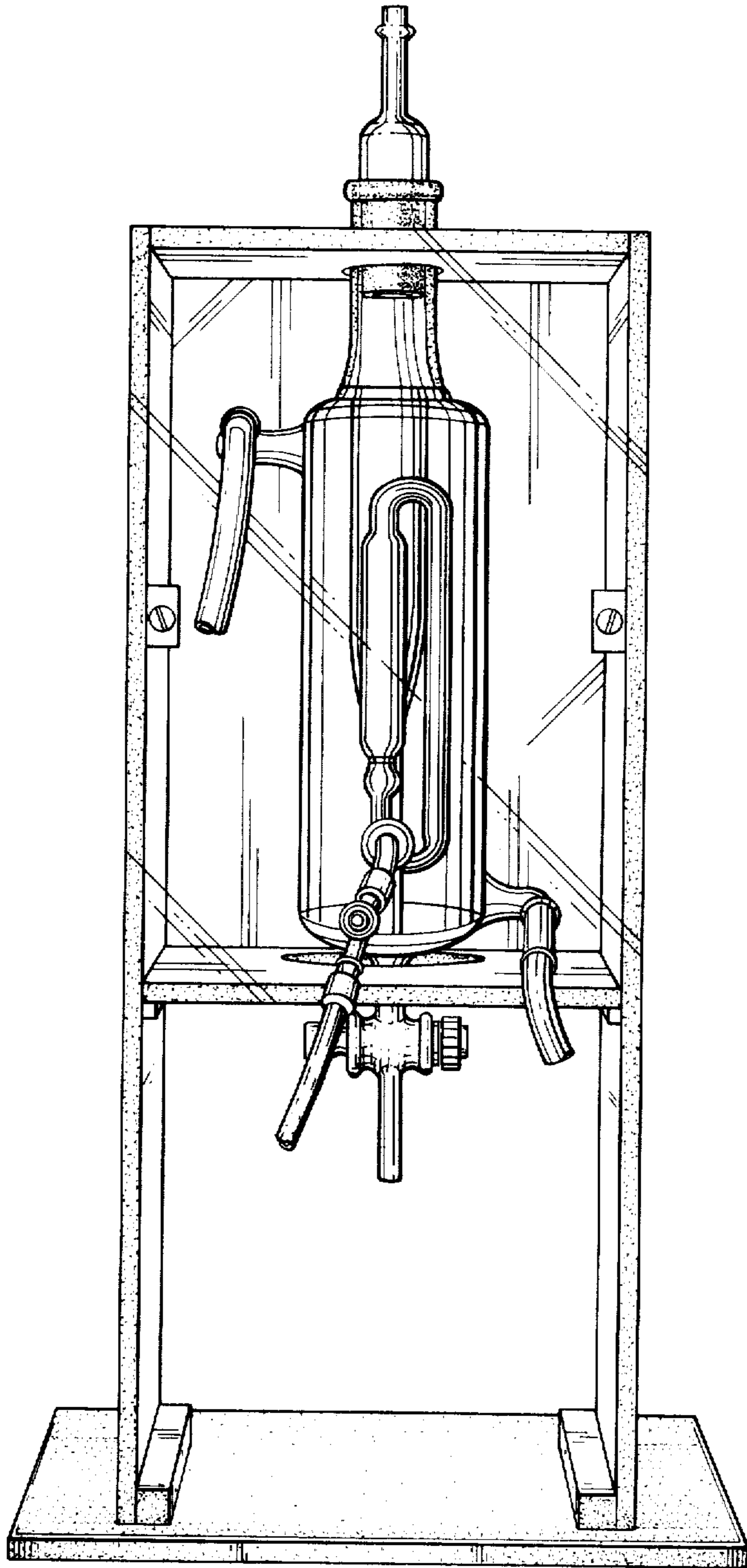


FIG. 5

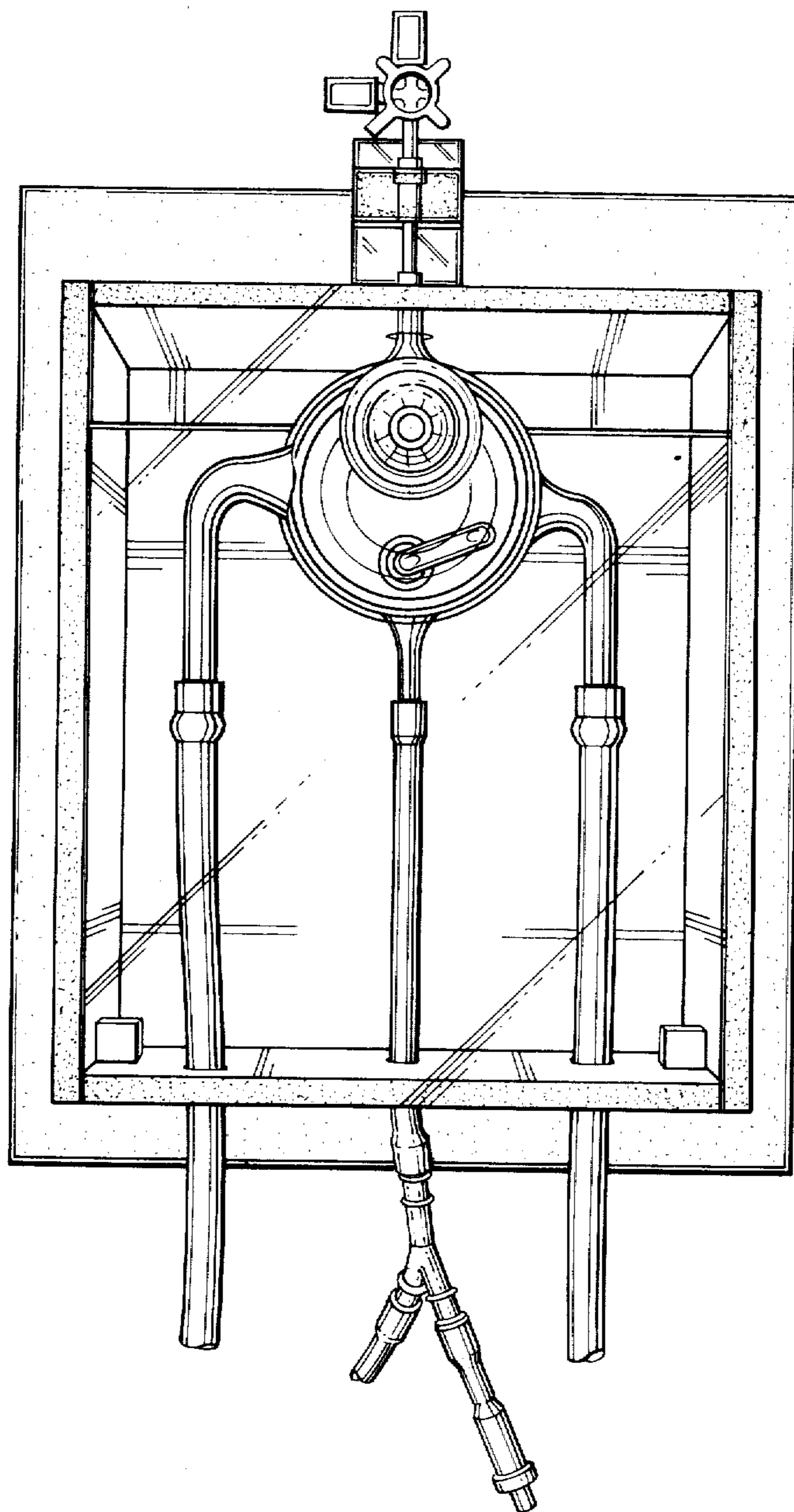


FIG. 6