

[54] APPARATUS FOR DEVELOPING X-RAYS FILMS

3,760,705 9/1973 Miller 354/322

[75] Inventors: Mathias Müller, Oberstenfeld; Gerhard Schmidtchen, Sachsenheim, both of Fed. Rep. of Germany

Primary Examiner—Peter M. Caun
Attorney, Agent, or Firm—Robert E. Burns; Emmanuel J. Lobato; Bruce L. Adams

[73] Assignee: Durr Dental GmbH and Co., KG, Fed. Rep. of Germany

[57] CLAIM

[**] Term: 14 Years

The ornamental design of apparatus for developing X-ray films, substantially as shown.

[21] Appl. No.: 135,456

DESCRIPTION

[22] Filed: Mar. 31, 1980

FIG. 1 is a plan view of an apparatus for processing X-ray films, according to the invention;

[30] Foreign Application Priority Data

FIG. 2 is a front elevation view of the apparatus in FIG. 1;

Oct. 3, 1979 [DE] Fed. Rep. of Germany 1410

FIG. 3 is a right side elevation view of the apparatus in FIG. 2;

[51] Int. Cl. D24-02

[52] U.S. Cl. D24/2

[58] Field of Search D24/2; 354/320, 322; 355/27, 28, 100

FIG. 4 is a left side elevation view of the apparatus in FIG. 3;

FIG. 5 is a side perspective view of the apparatus in FIG. 1;

[56] References Cited

U.S. PATENT DOCUMENTS

1,832,296 11/1931 Greene et al. 354/320

FIG. 6 is a backside elevation view of the apparatus in FIG. 1; and

FIG. 7 is a bottomside view of the apparatus in FIG. 1.

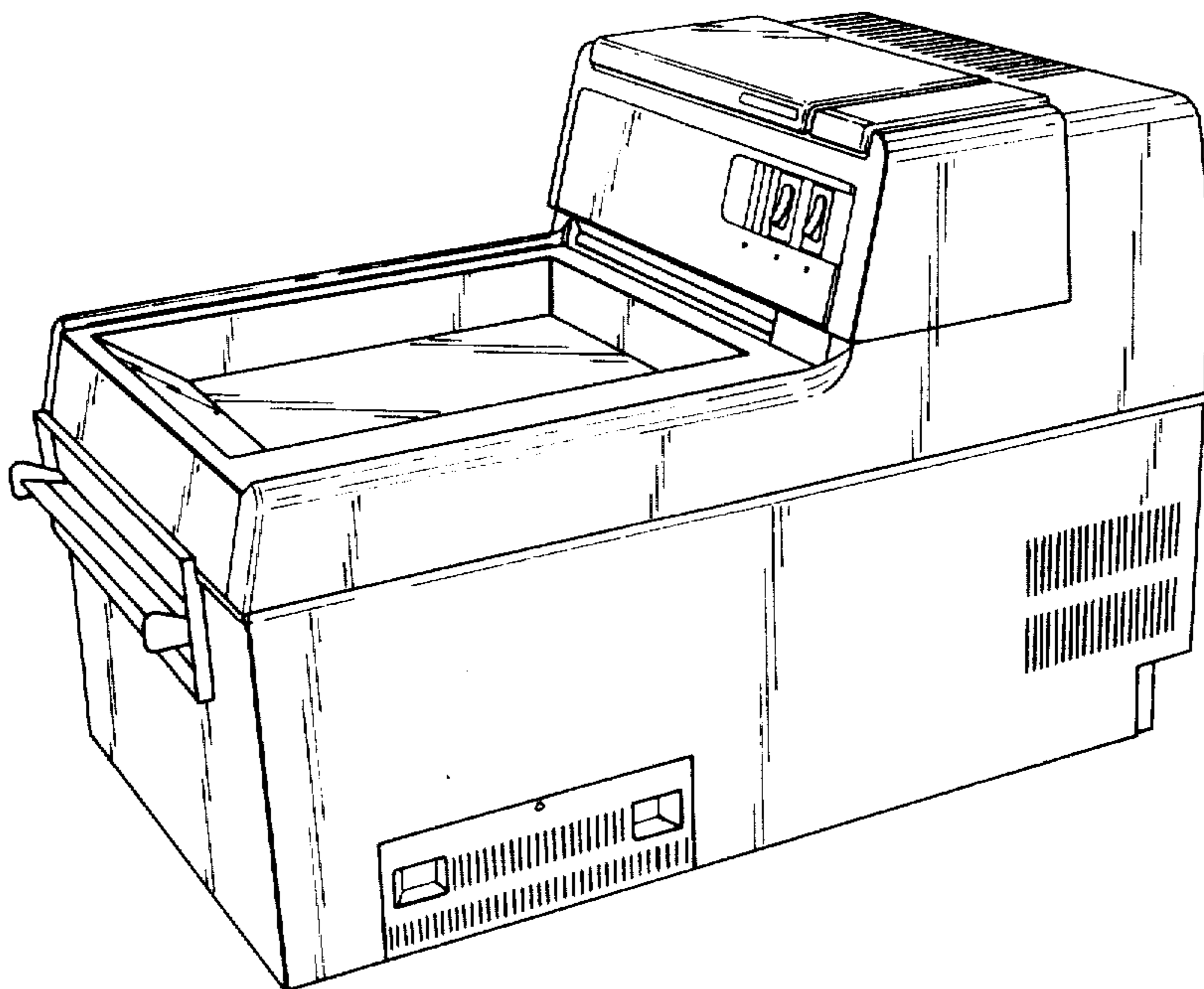


FIG. 1

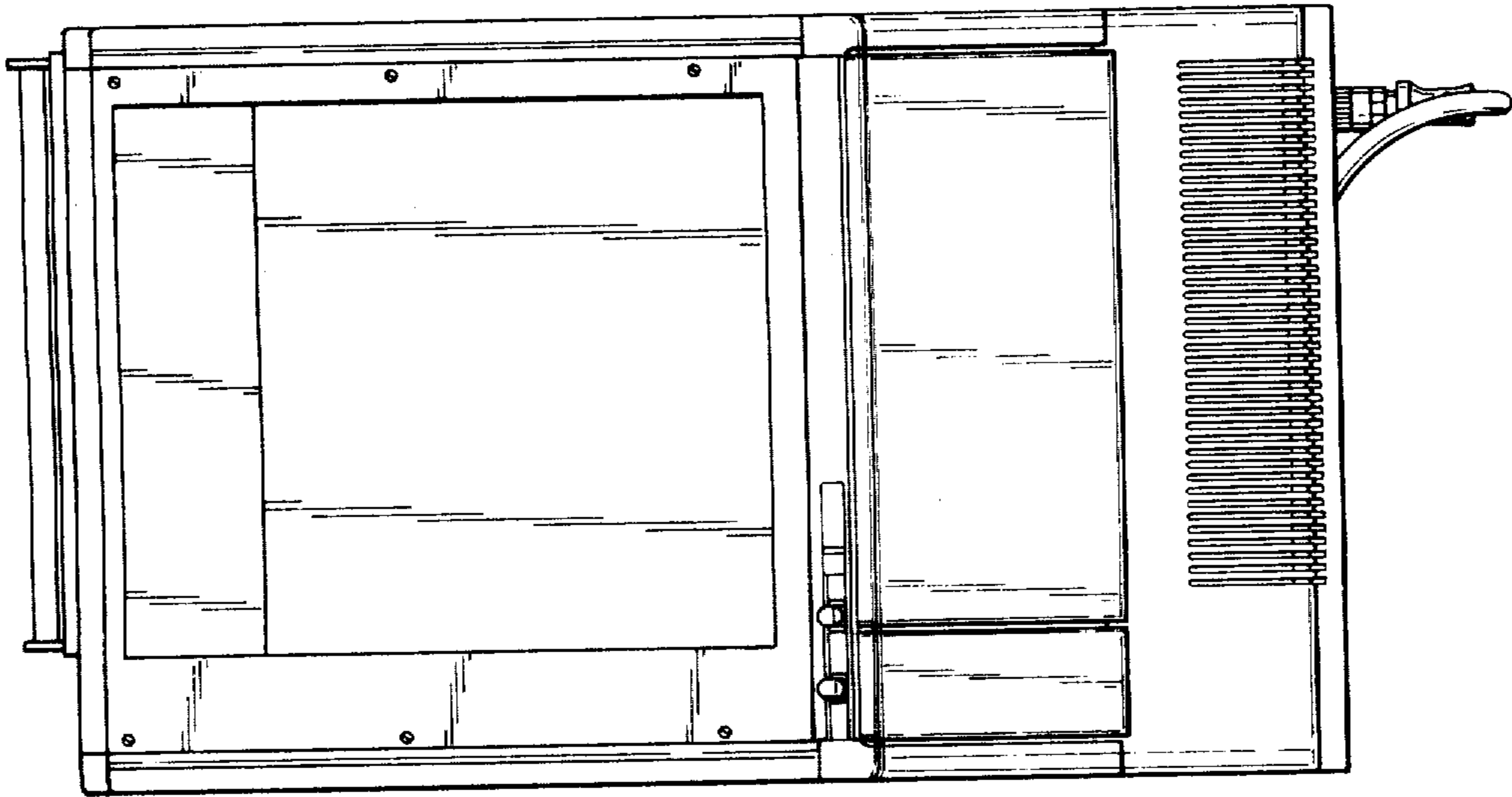


FIG. 2

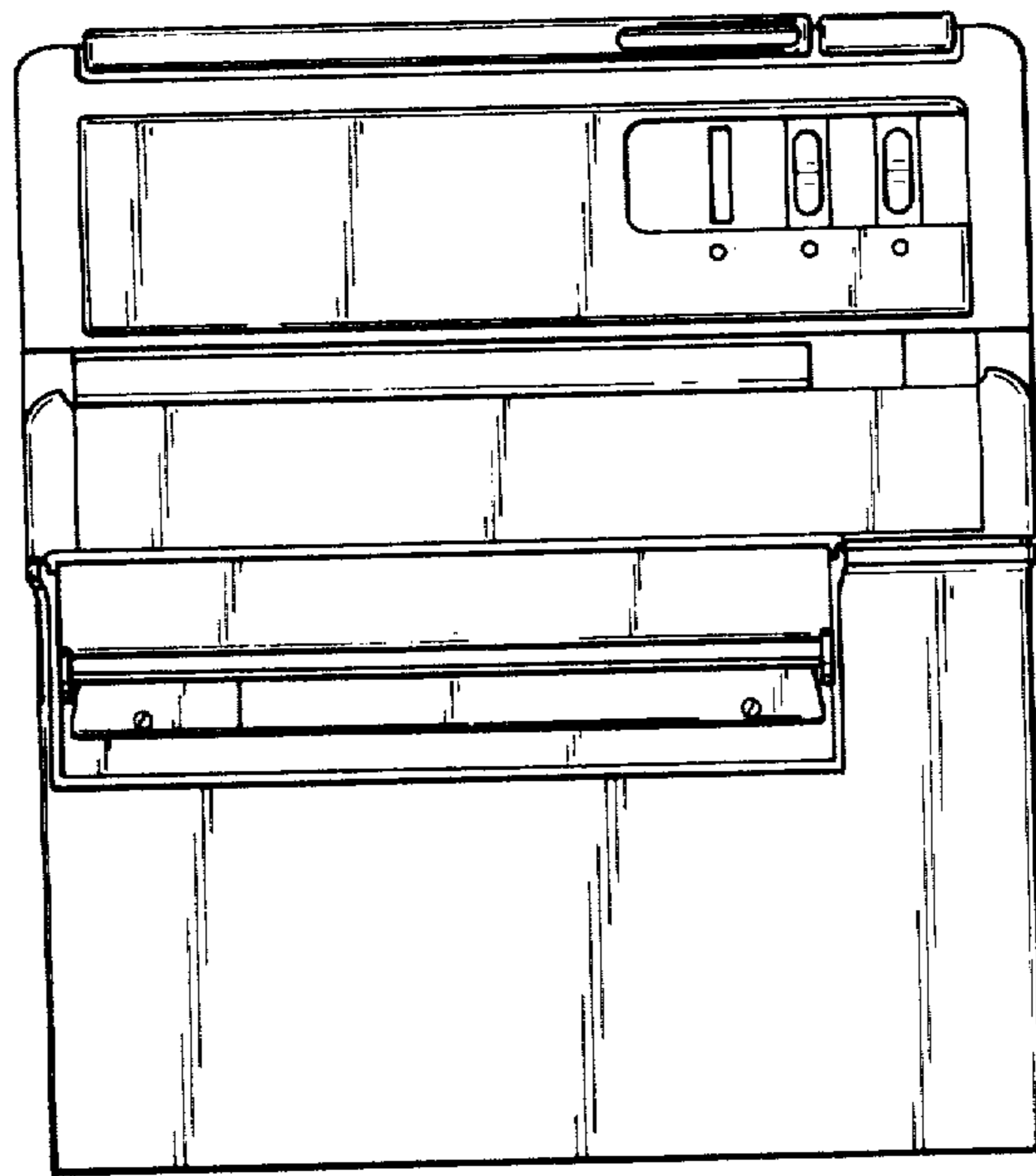


FIG. 3

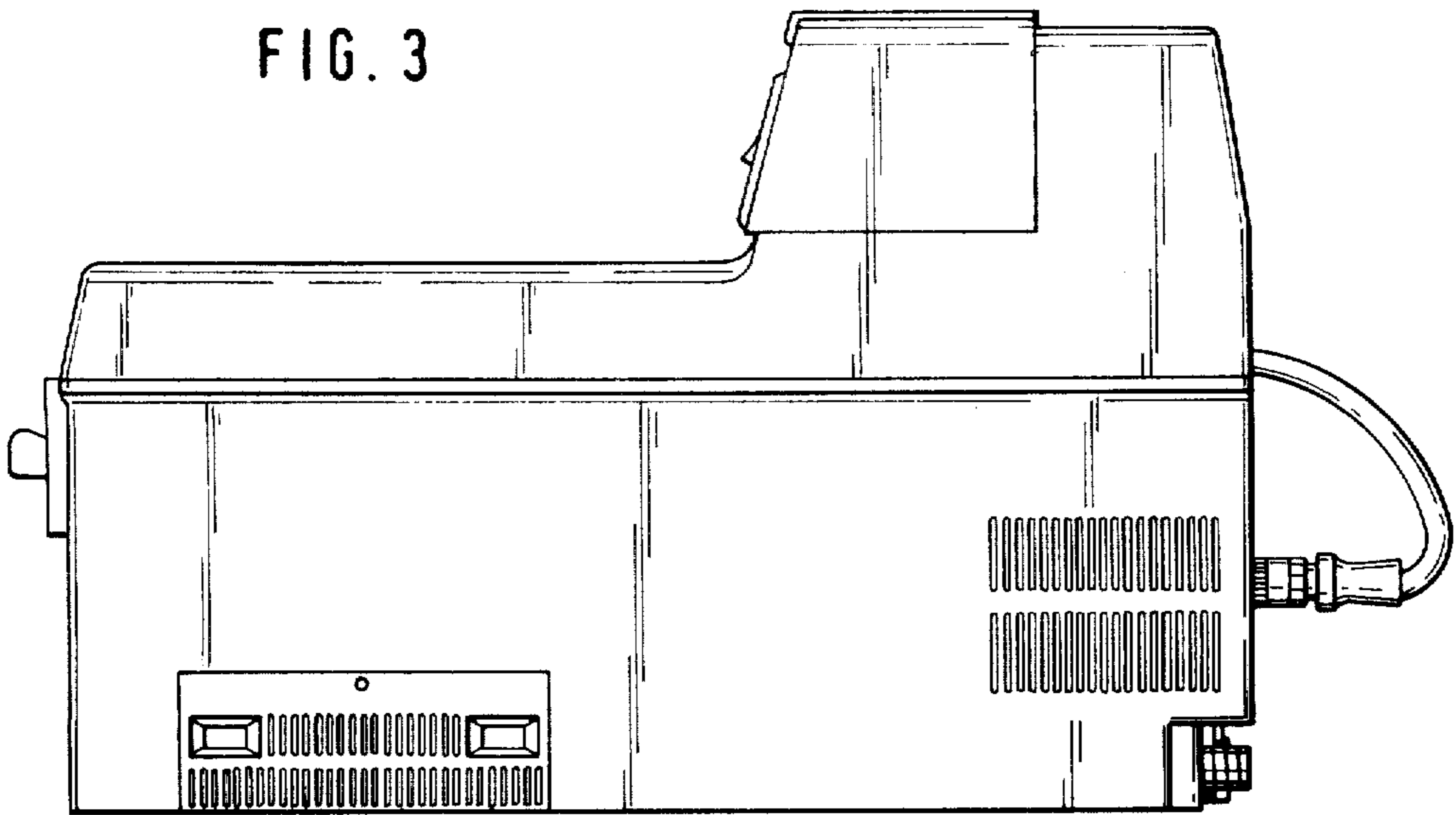


FIG. 4

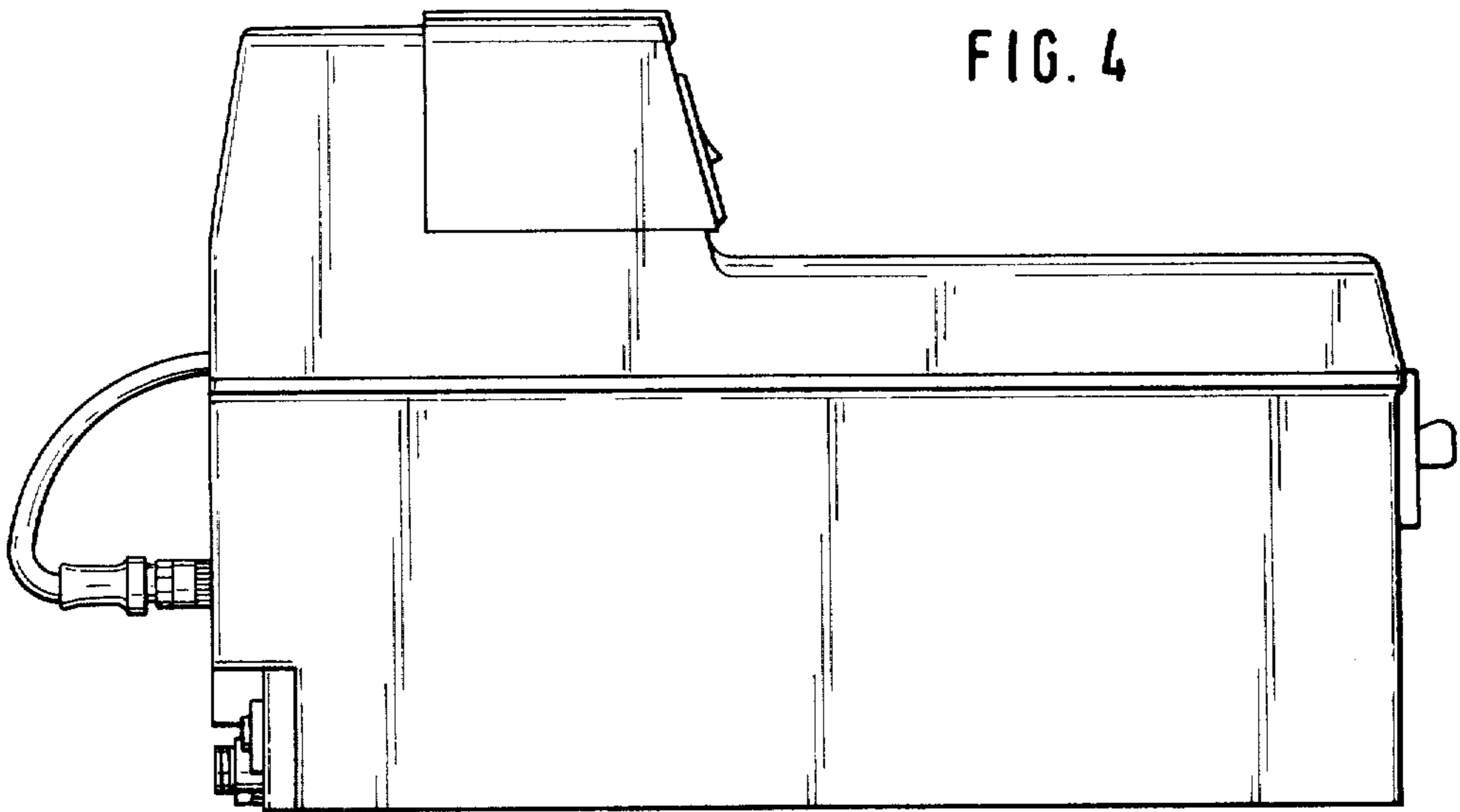


FIG. 5

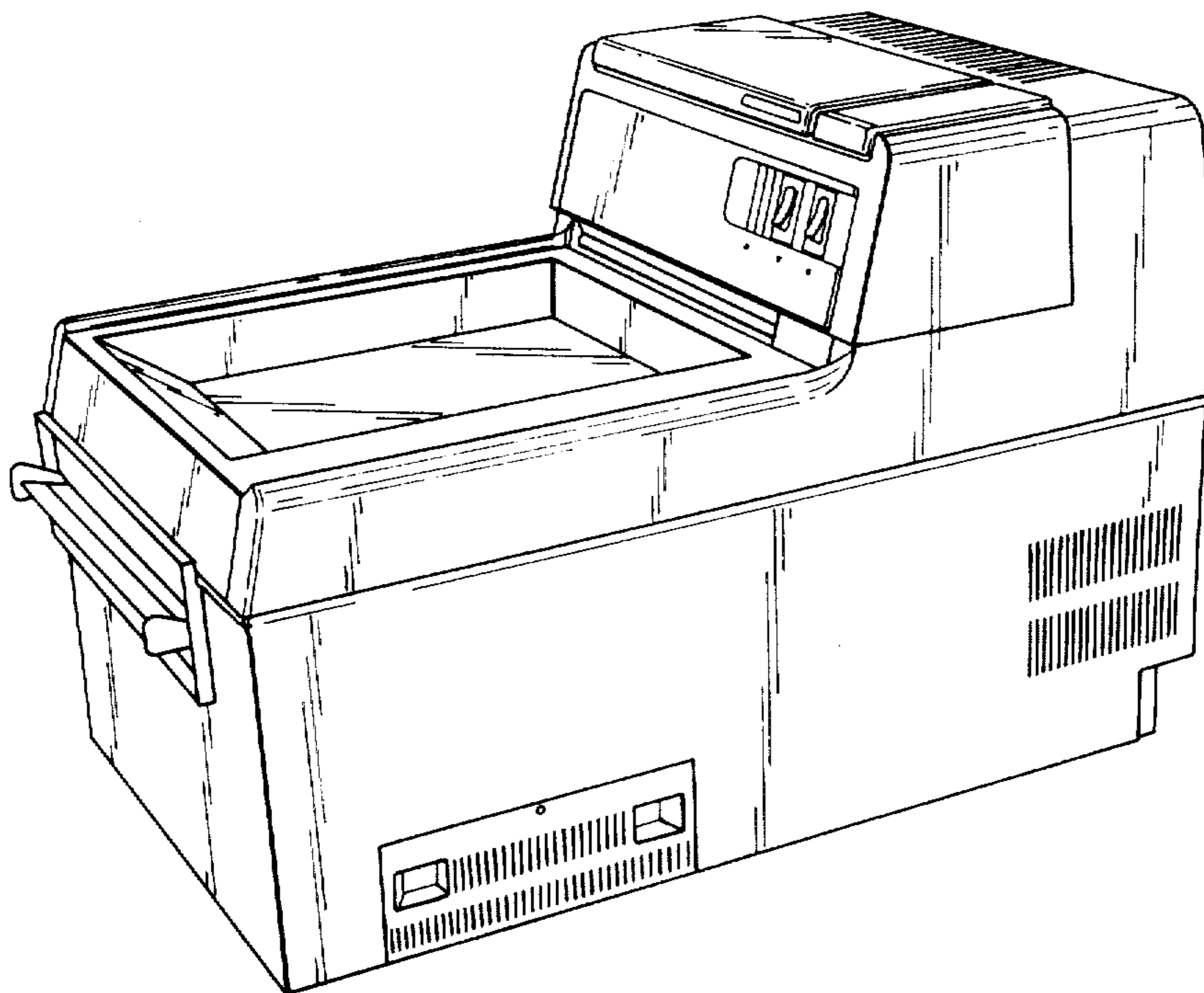


FIG. 6

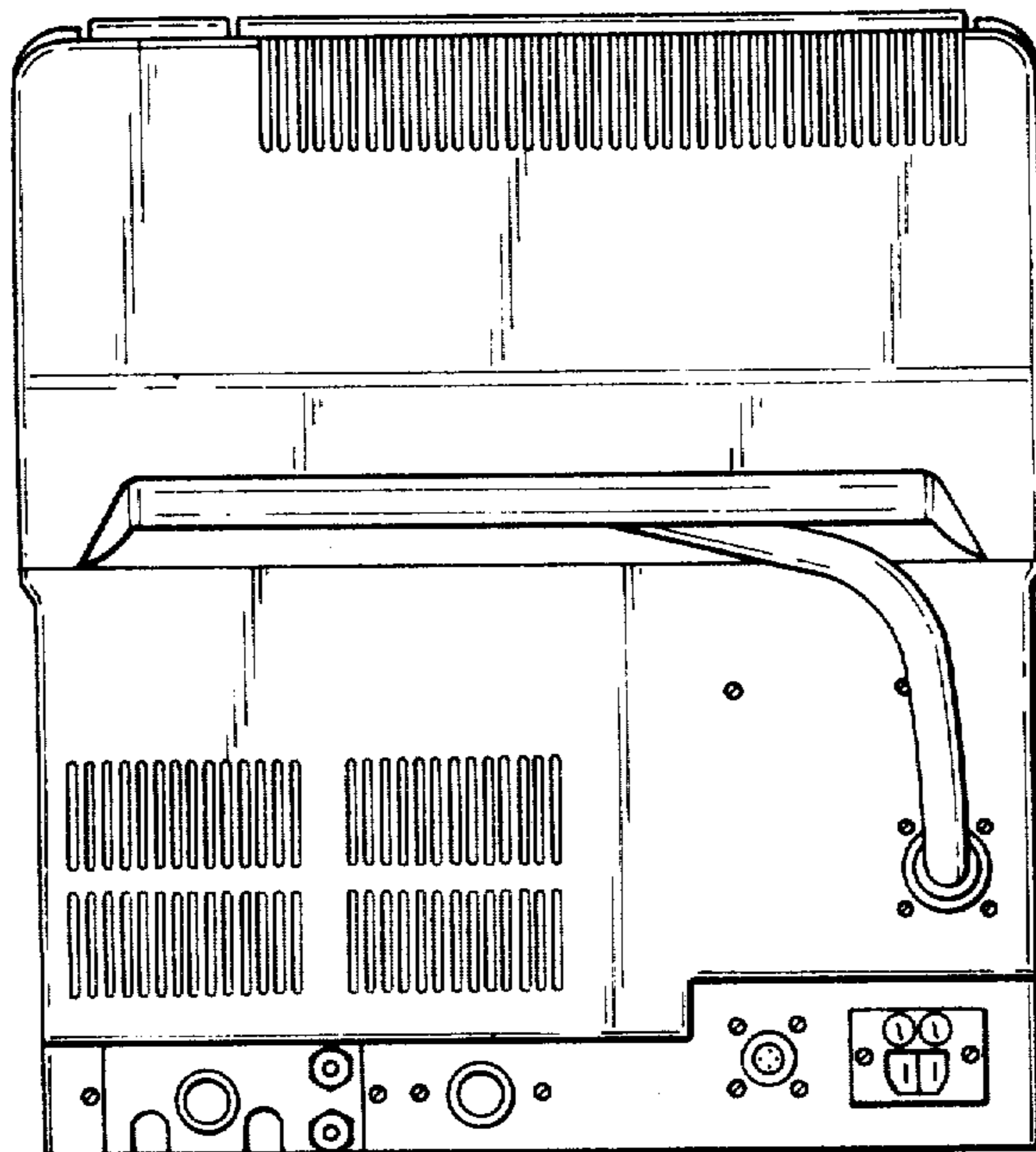
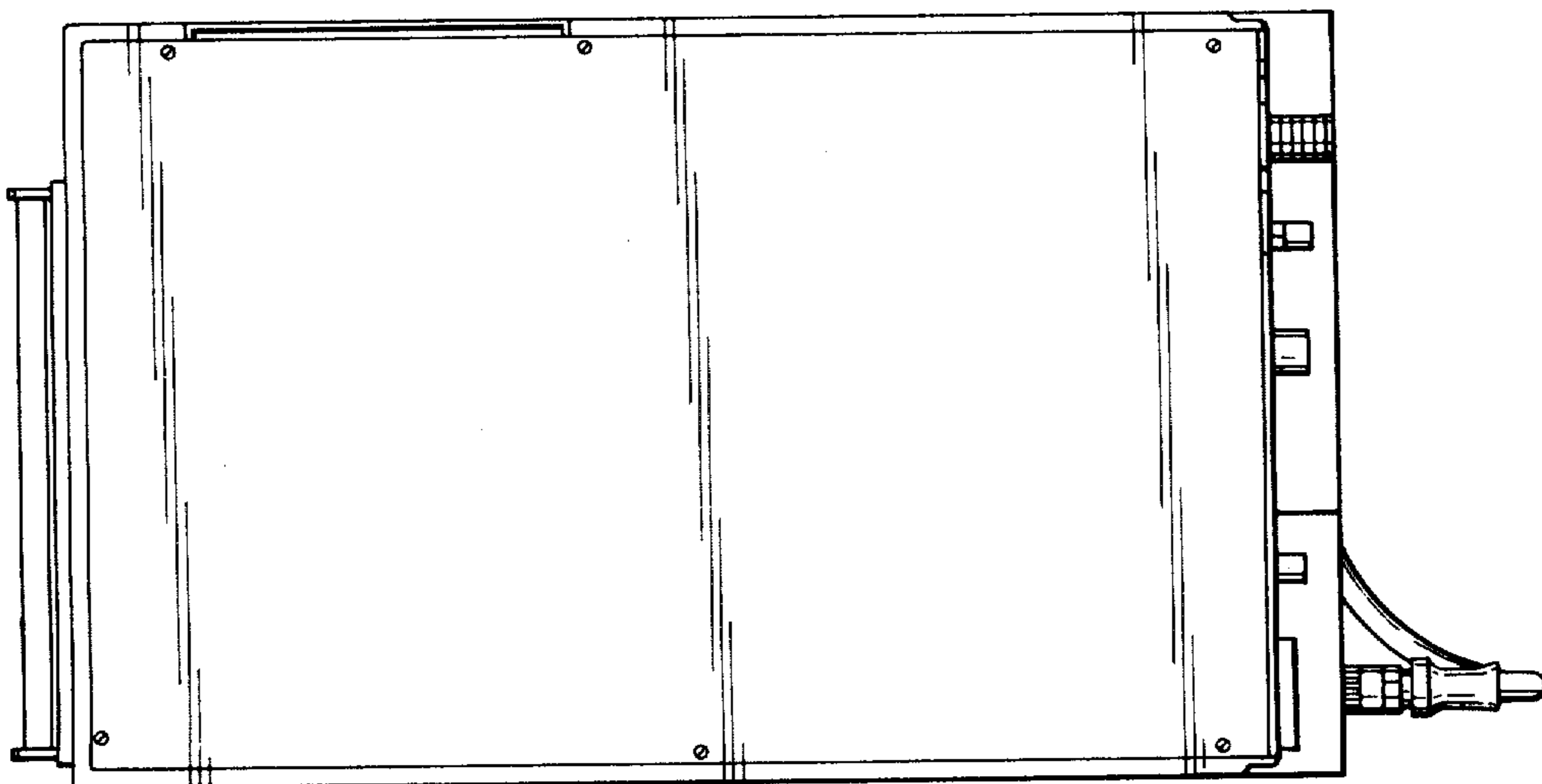


FIG. 7



UNITED STATES PATENT AND TRADEMARK OFFICE
CERTIFICATE OF CORRECTION

PATENT NO. : Des. 264,502

DATED : May 18, 1982

INVENTOR(S) : Mathias Muller et al.

It is certified that error appears in the above-identified patent and that said Letters Patent is hereby corrected as shown below:

On the title page, under foreign application priority data

"1410" should read -- Band X Nr. 949 --

Signed and Sealed this

Twenty-third **Day of** *November* 1982

[SEAL]

Attest:

GERALD J. MOSSINGHOFF

Attesting Officer

Commissioner of Patents and Trademarks