

[54] HEAT RETRIEVAL UNIT FOR INSTALLATION INTO A FLUE DUCT

[76] Inventor: Darrow R. Beaton, 5519 Penn Ave. South, Minneapolis, Minn. 55410

[**] Term: 14 Years

[21] Appl. No.: 87,553

[22] Filed: Oct. 22, 1979

[51] Int. Cl. D23-03

[52] U.S. Cl. D23/136

[58] Field of Search D23/72, 95, 127, 136; 126/121; 165/DIG. 2

[56] References Cited

U.S. PATENT DOCUMENTS

- 2,693,941 11/1954 Bystrom 165/DIG. 2
- 3,913,663 10/1975 Gates 165/DIG. 2
- 4,028,817 6/1977 Winstel 165/DIG. 2

- 4,103,735 8/1978 Warner 165/DIG. 2
- 4,206,804 6/1980 Scholtes et al. 165/DIG. 2
- 4,219,073 8/1980 Talmadge et al. 165/DIG. 2
- 4,276,929 7/1981 Howard 165/DIG. 2

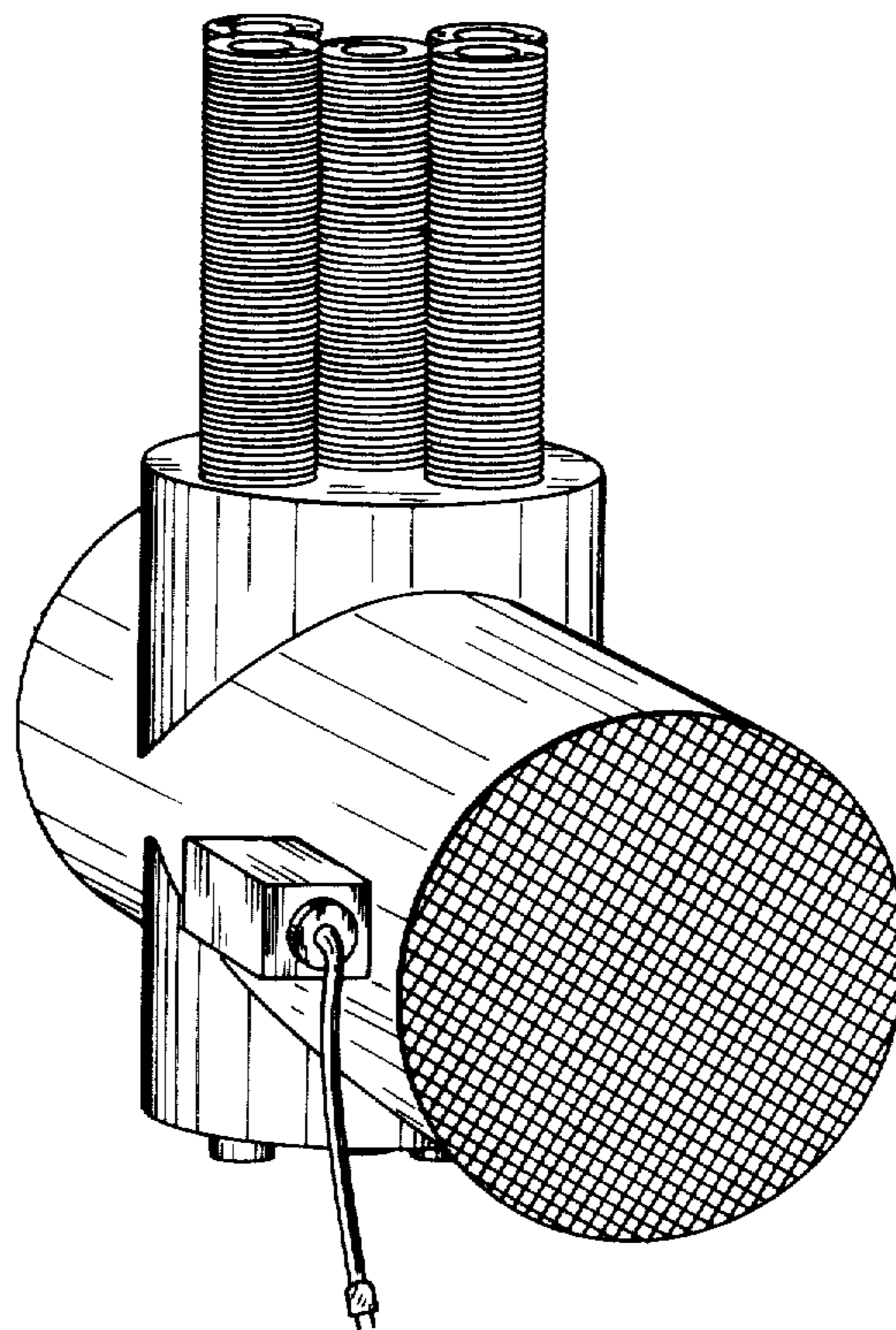
Primary Examiner—Catherine E. Kemper
Attorney, Agent, or Firm—James R. Cwayna

[57] CLAIM

The ornamental design for a heat retrieval unit for installation into a flue duct, as shown.

DESCRIPTION

FIG. 1 is a perspective view of a heat retrieval unit for installation into a flue duct, showing my new design; FIG. 2 is a top plan view thereof; FIG. 3 is a view taken from one end thereof; FIG. 4 is a view taken from the front of the unit; FIG. 5 is an end view taken from the end of the unit opposite to that of FIG. 3; FIG. 6 is a rear elevation thereof; and, FIG. 7 is a bottom plan view thereof.



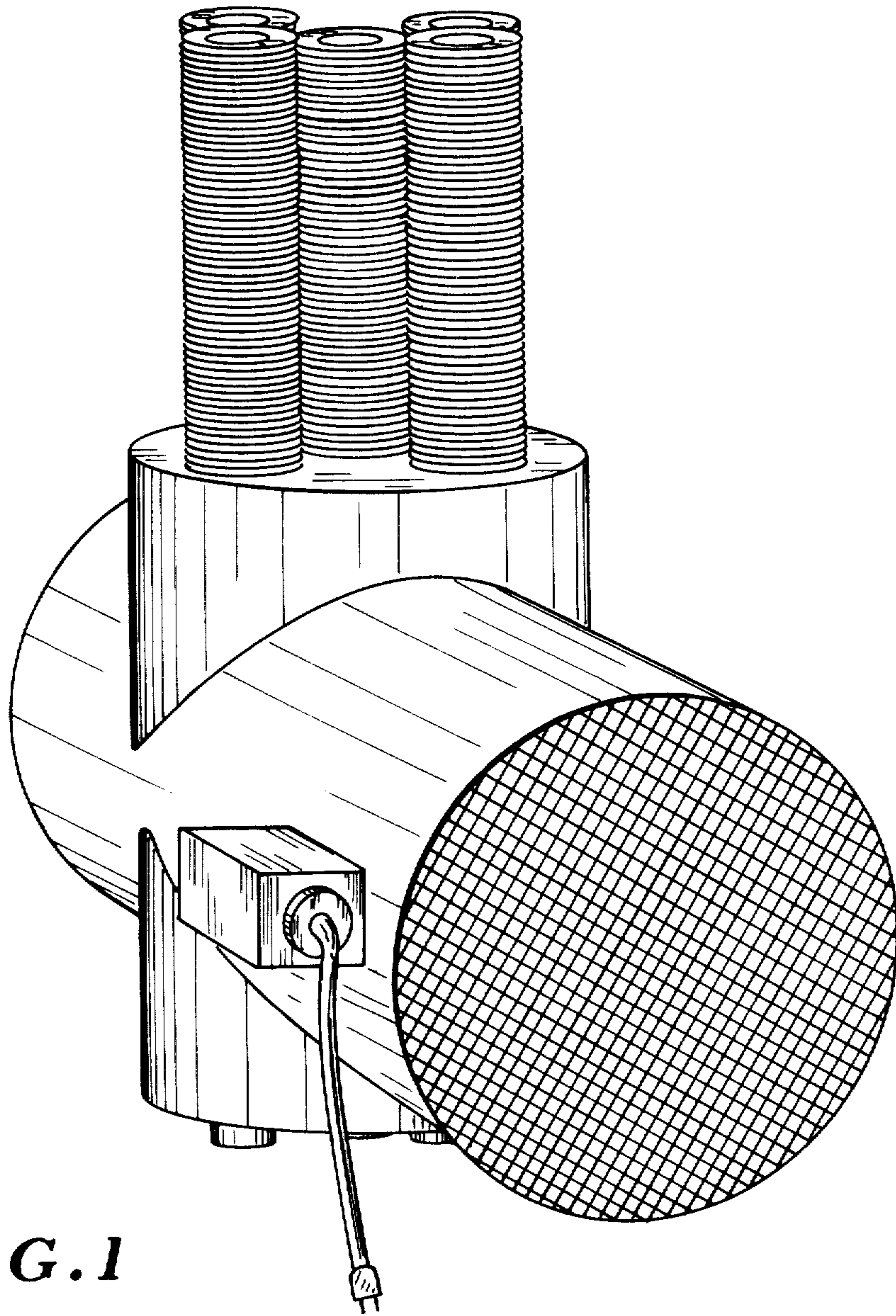


FIG. 1

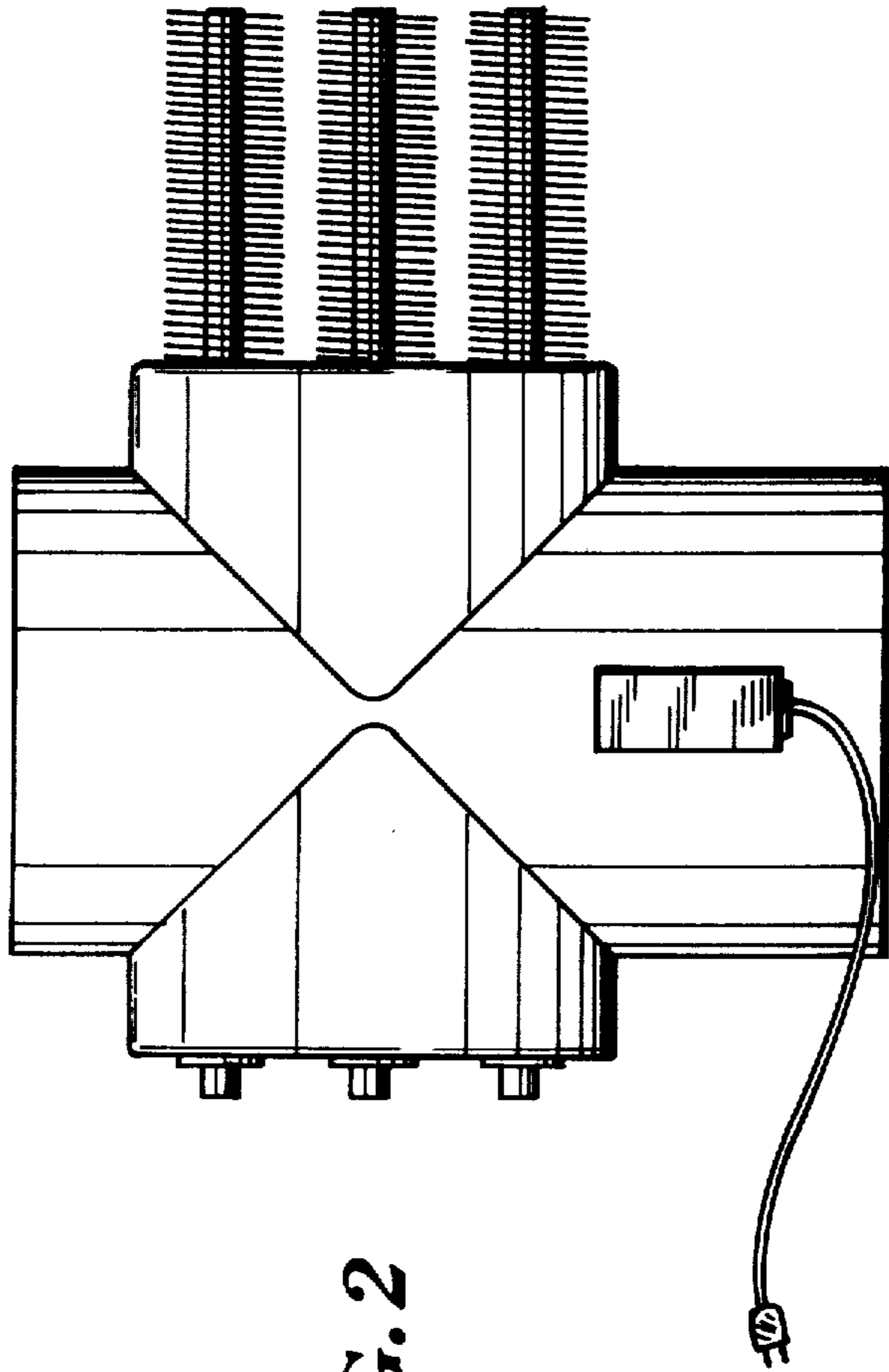


FIG. 2

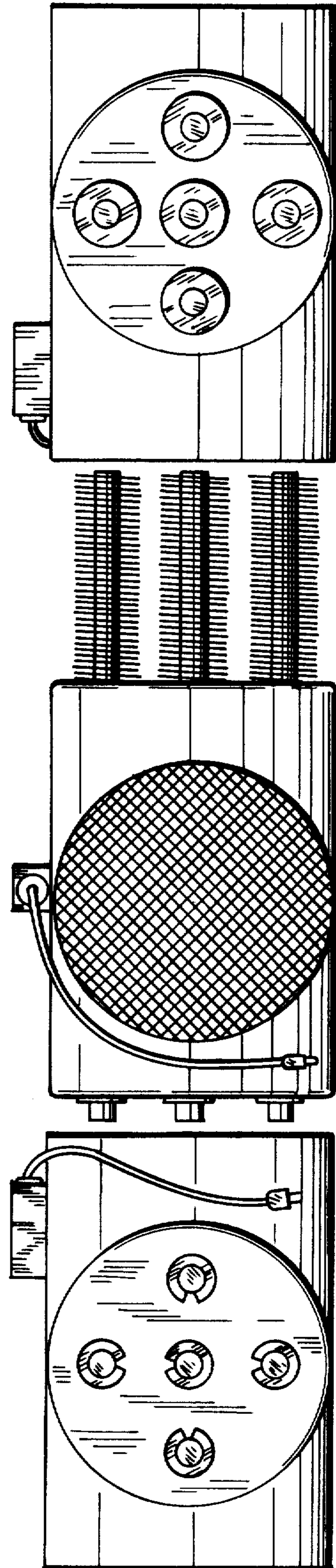


FIG. 3

FIG. 4

FIG. 5

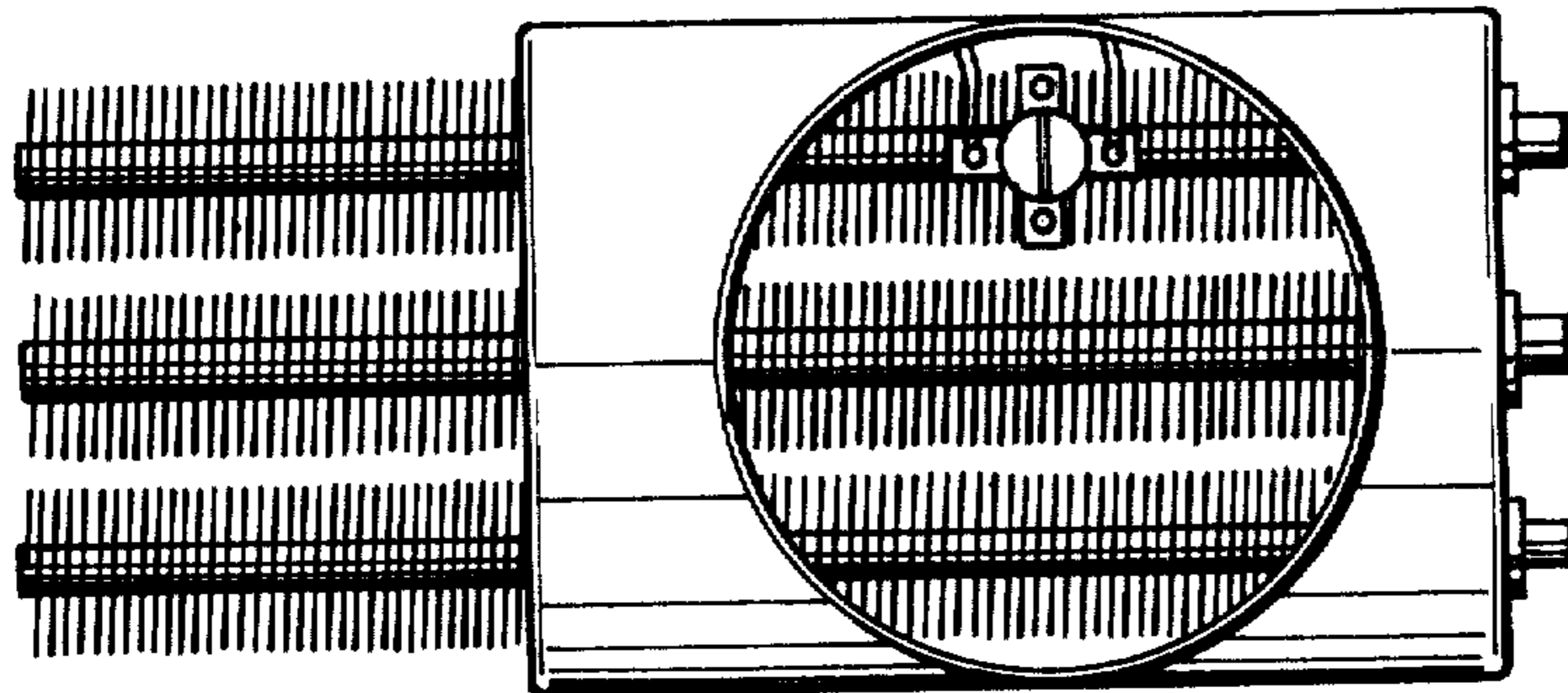


FIG. 6

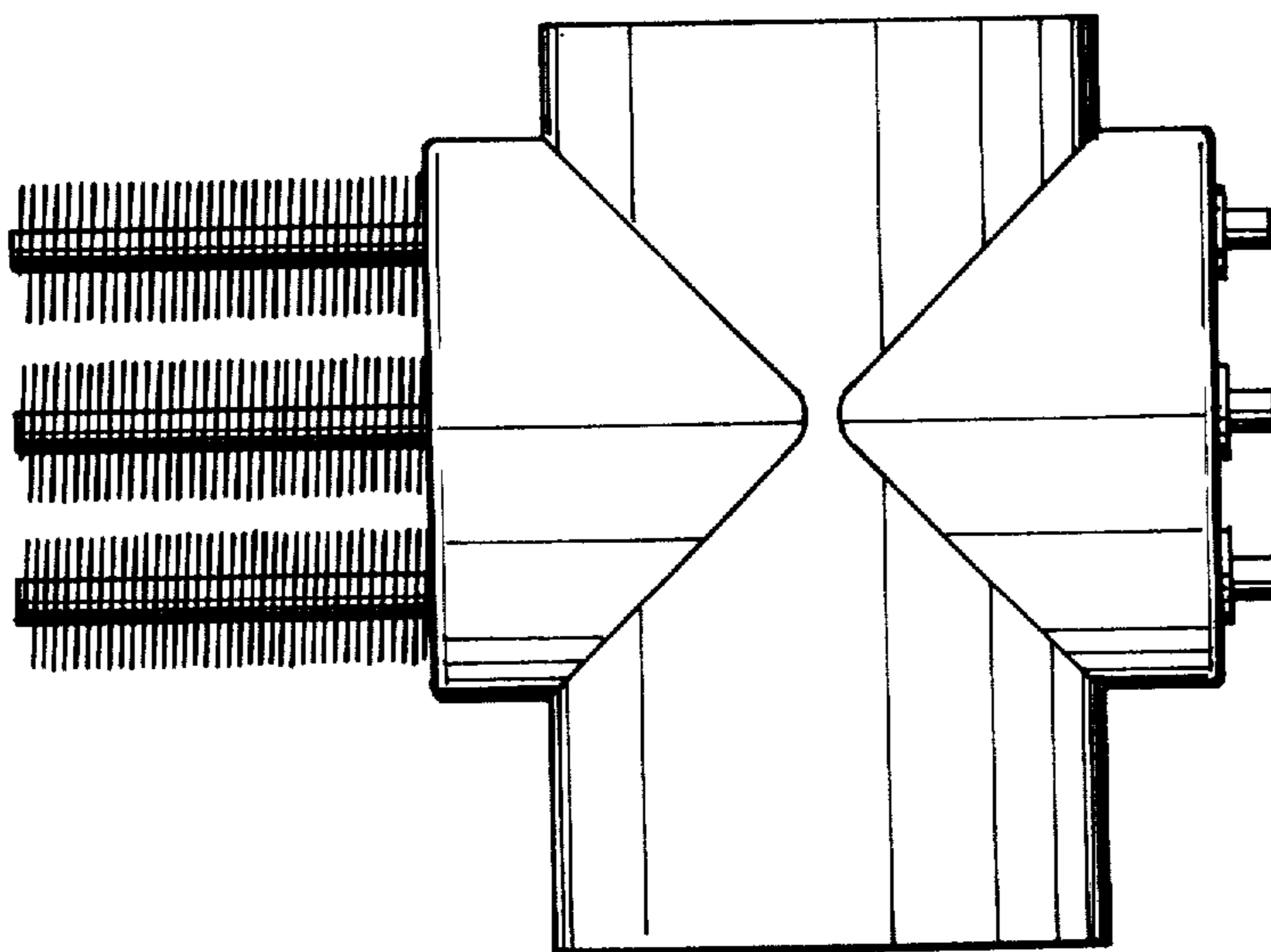


FIG. 7