

[54] HEAT RETRIEVAL UNIT

[76] Inventor: **Darrow R. Beaton**, 5519 Penn Ave.
South, Minneapolis, Minn. 55410

[**] Term: **14 Years**

[21] Appl. No.: **87,552**

[22] Filed: **Oct. 22, 1979**

[51] Int. Cl. **D23-03**

[52] U.S. Cl. **D23/136**

[58] Field of Search D23/72, 95, 127, 136;
126/121; 165/DIG. 2

4,206,804 6/1980 Scholtes et al. 165/DIG. 2

4,219,073 8/1980 Talmadge et al. 165/DIG. 2

4,276,929 7/1981 Howard 165/DIG. 2

Primary Examiner—Catherine E. Kemper
Attorney, Agent, or Firm—James R. Cwayna

[57] **CLAIM**

The ornamental design for a heat retrieval unit, as shown.

DESCRIPTION

FIG. 1 is a perspective view of a heat retrieval unit showing my design;
FIG. 2 is a top plan view thereof;
FIG. 3 is a side elevation thereof;
FIG. 4 is a bottom plan view thereof;
FIG. 5 is a front elevation thereof;
FIG. 6 is a side elevation taken from the side opposite that illustrated in FIG. 3; and,
FIG. 7 is a rear elevation taken opposite the front elevation of FIG. 5.

[56] **References Cited**

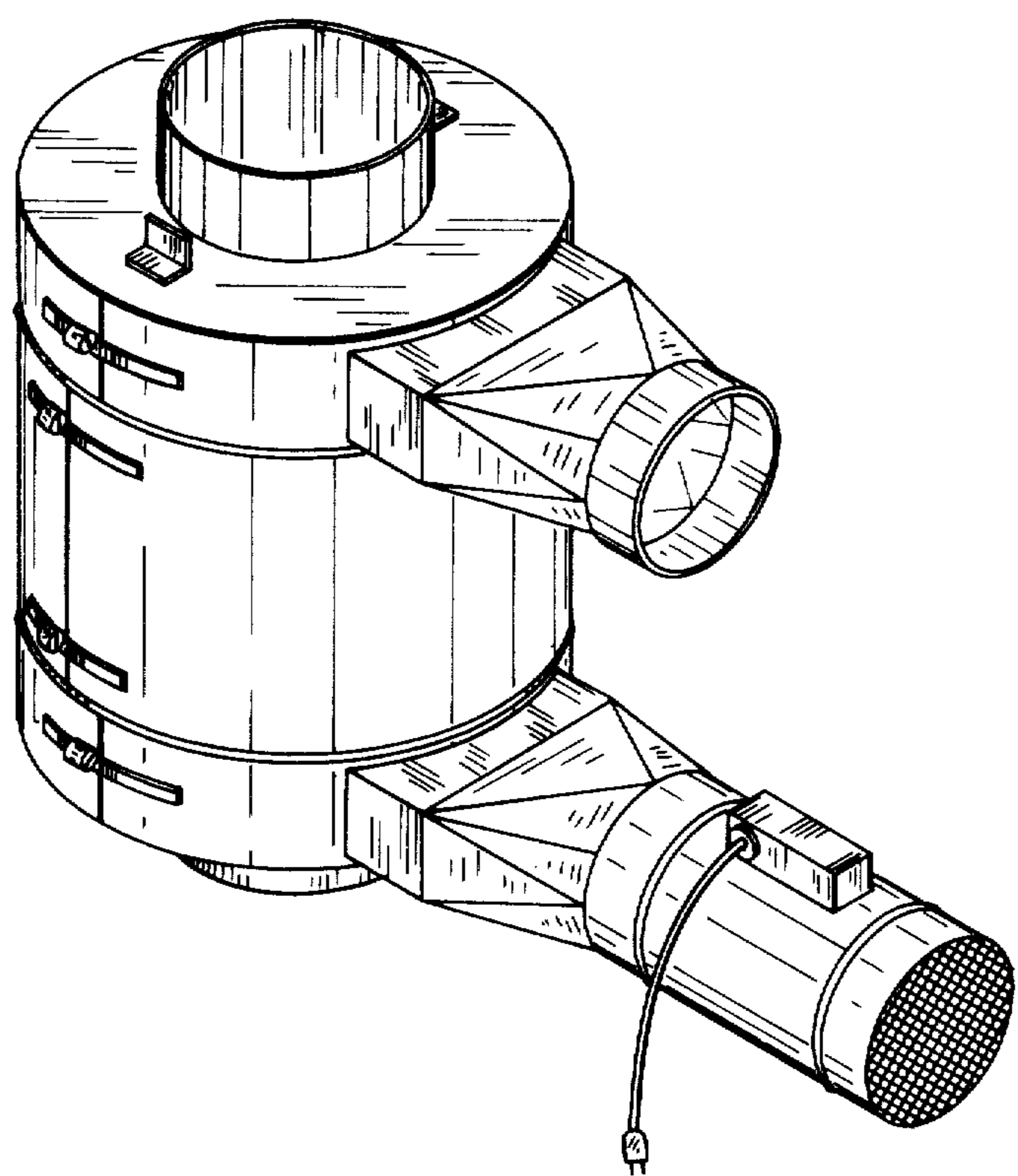
U.S. PATENT DOCUMENTS

2,693,941 11/1954 Bystrom 165/DIG. 2

3,913,663 10/1975 Gates 165/DIG. 2

4,028,817 6/1977 Winstel 165/DIG. 2

4,103,735 8/1978 Warner 165/DIG. 2



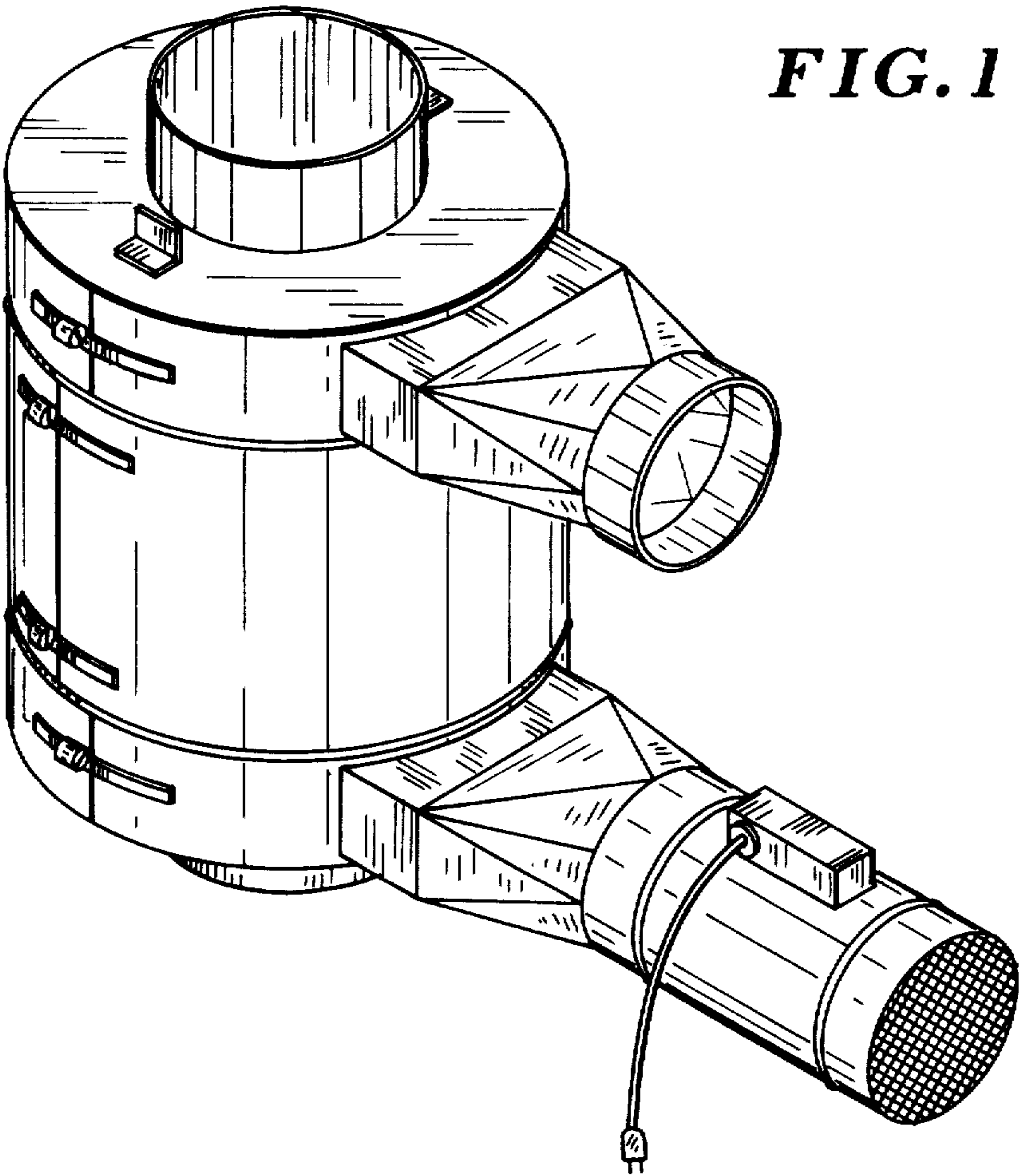


FIG. 2

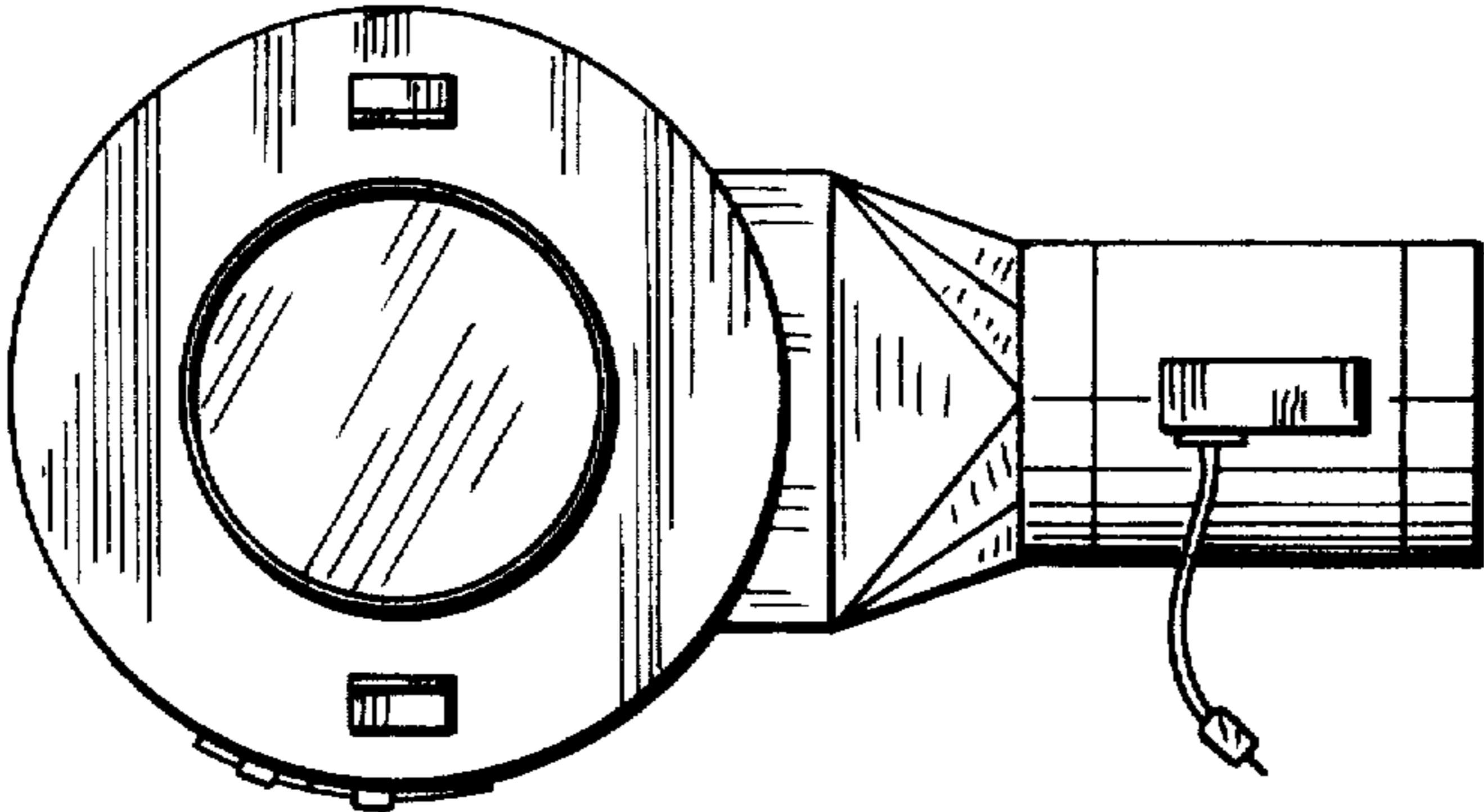


FIG. 3

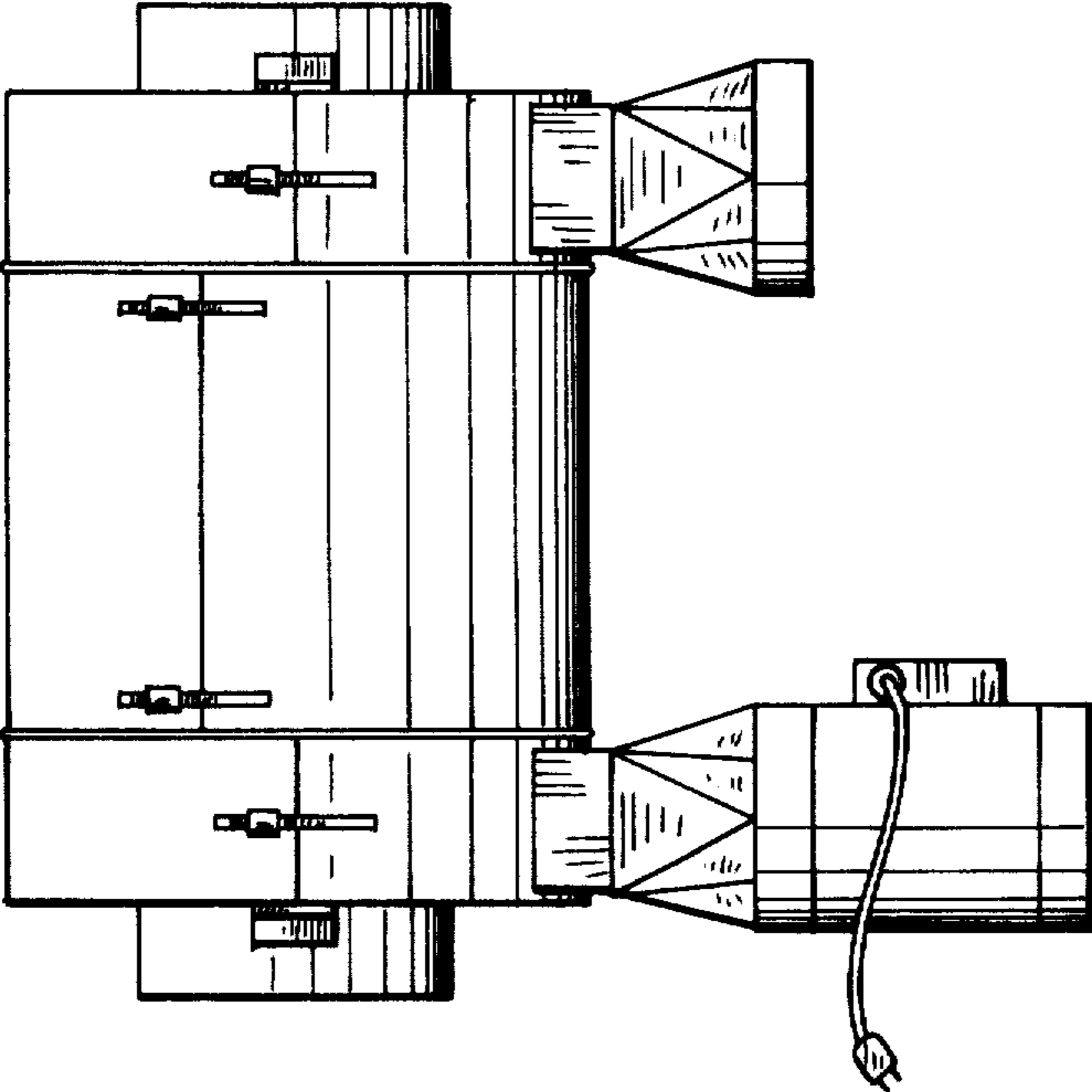
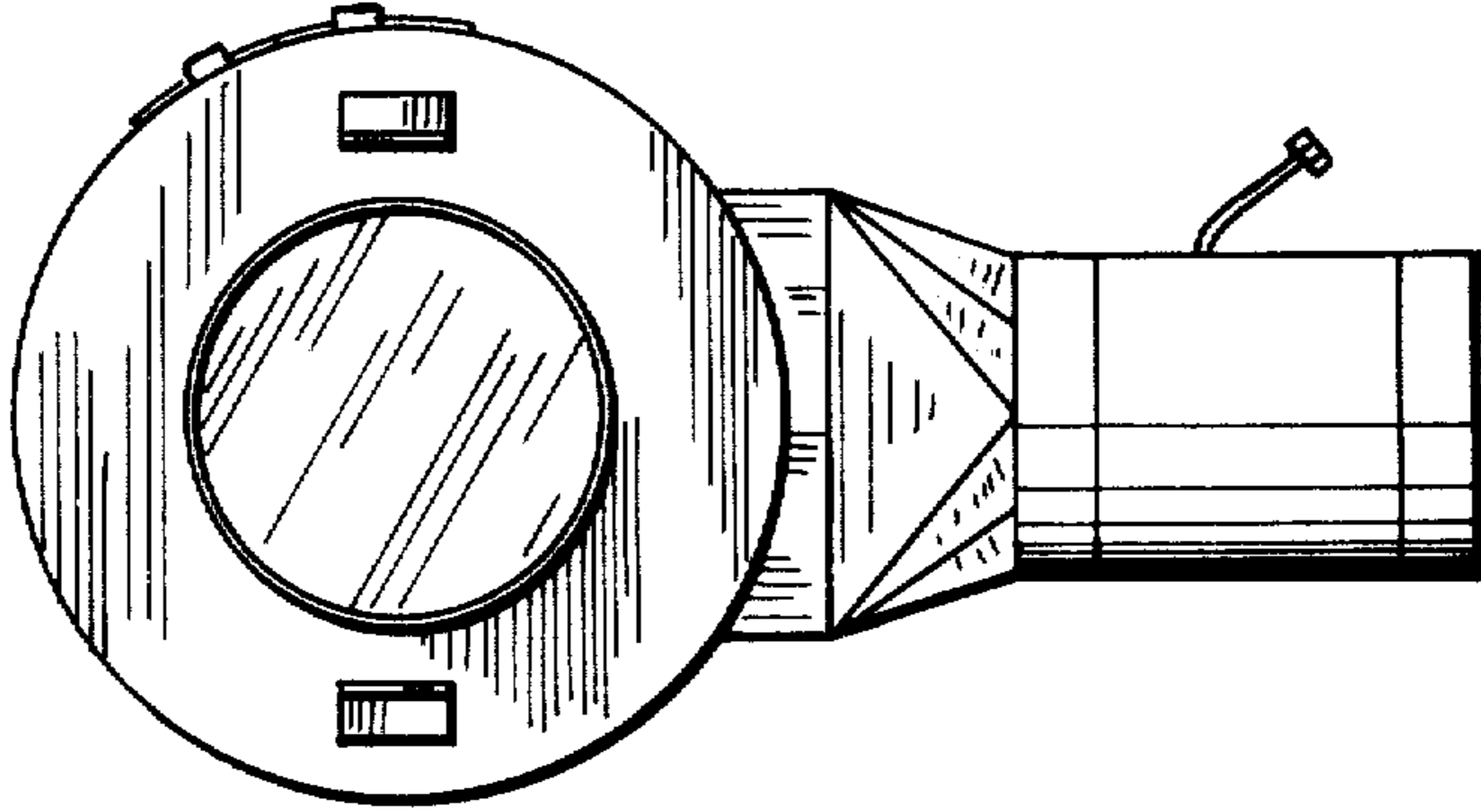


FIG. 4



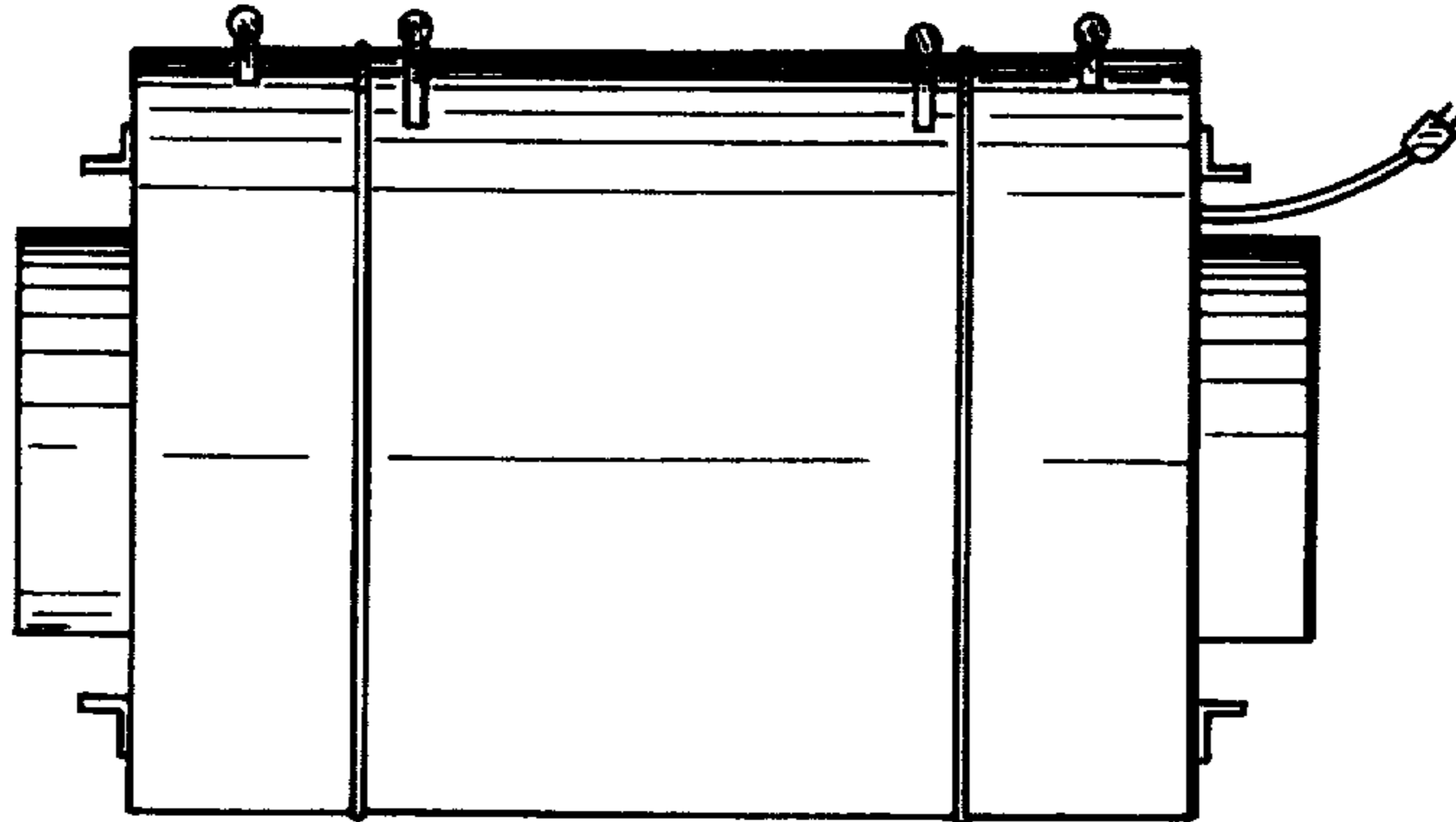


FIG. 7

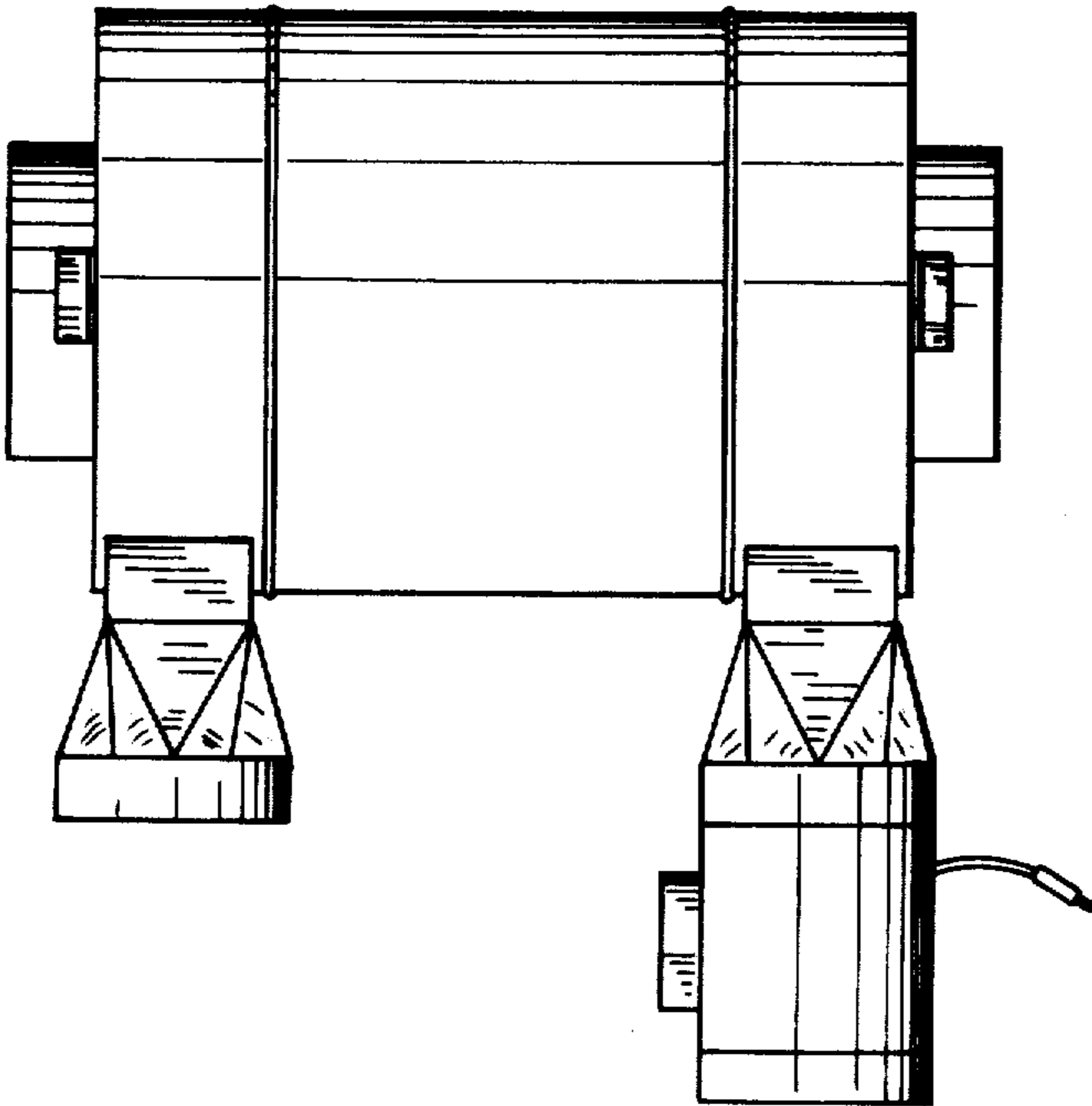


FIG. 6

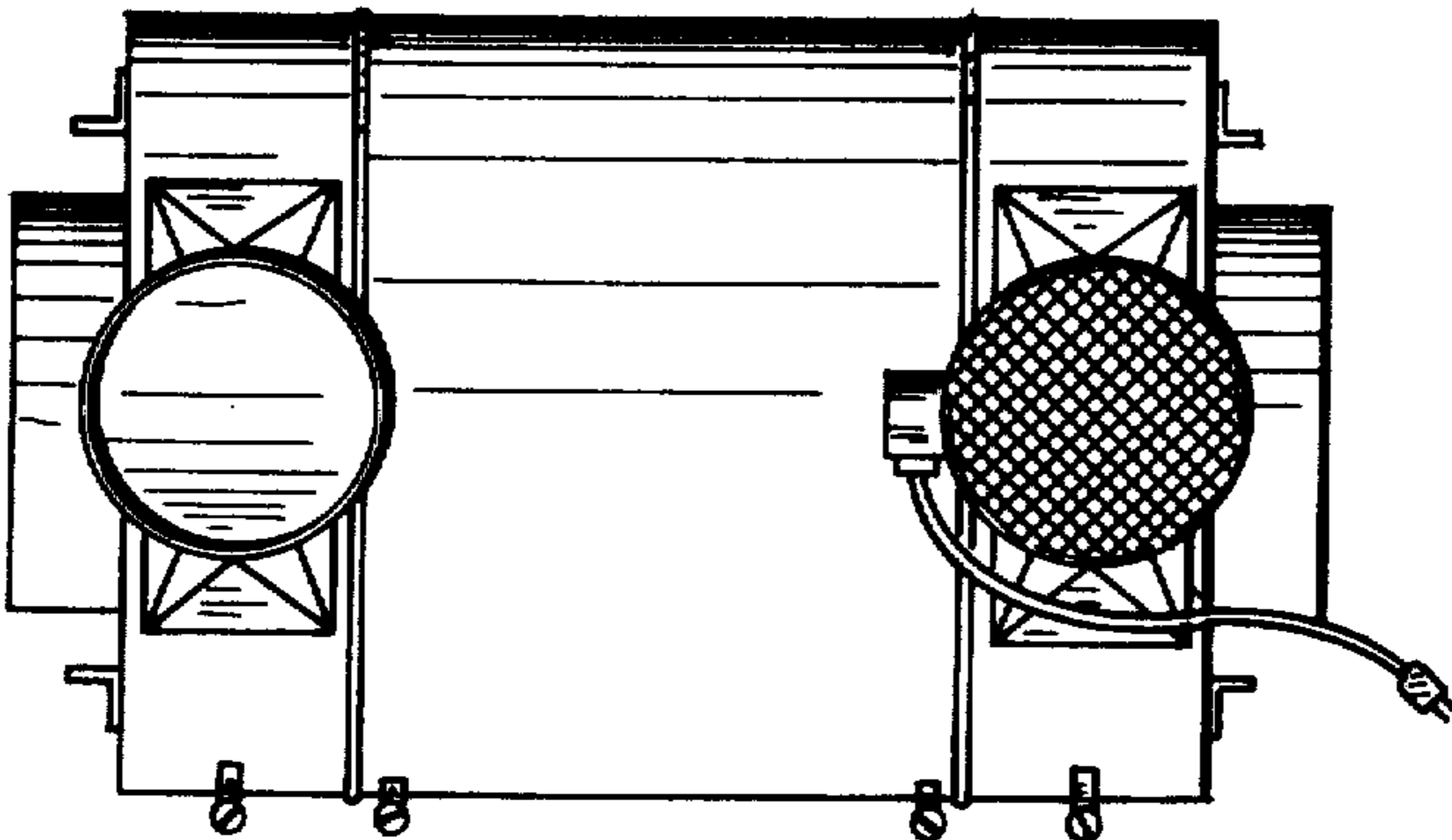


FIG. 5