

[54] WOOD BURNING STOVE

[76] Inventor: James E. Lundy, Box 351, Mackay, Id. 83251

[**] Term: 14 Years

[21] Appl. No.: 153,621

[22] Filed: May 27, 1980

[51] Int. Cl. D23-03

[52] U.S. Cl. D23/97

[58] Field of Search D23/72, 92-97; 126/4.6, 58, 60-66, 120, 121, 123, 126

[56] References Cited

U.S. PATENT DOCUMENTS

- D. 164,447 9/1951 Price, Jr. D23/92
- D. 251,501 4/1979 Peterman D23/97

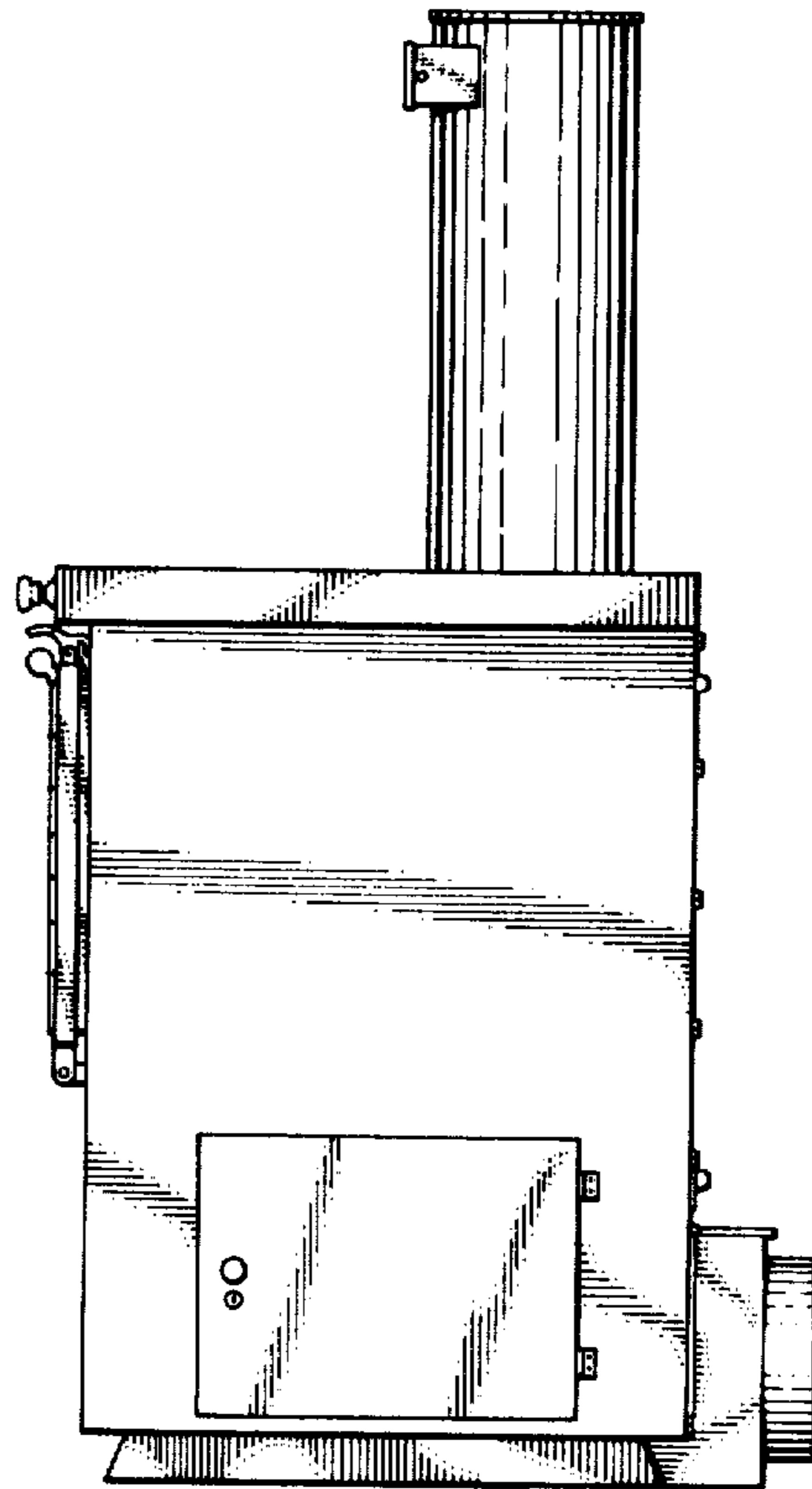
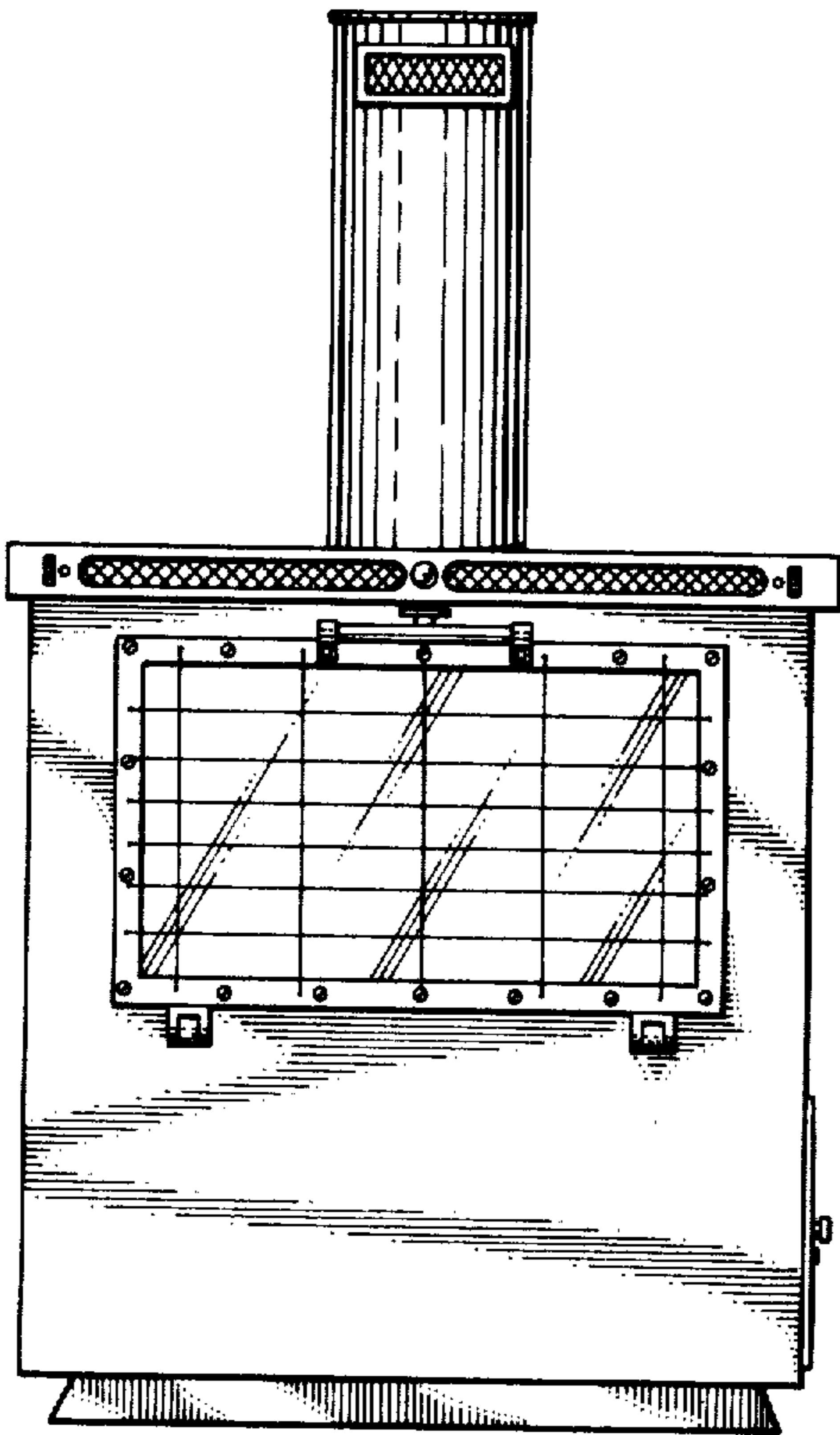
Primary Examiner—Catherine E. Kemper
Attorney, Agent, or Firm—Mallinckrodt & Mallinckrodt

[57] CLAIM

The ornamental design for a wood burning stove, as shown and described.

DESCRIPTION

FIG. 1 is a front elevational view of a wood burning stove showing my new design;
 FIG. 2 is a right side elevational view thereof;
 FIG. 3 is a left side elevational view thereof;
 FIG. 4 is a top plan view thereof;
 FIG. 5 is a rear elevational view thereof;
 FIG. 6 is a bottom plan view thereof;
 FIG. 7 is a left side elevational view of a second embodiment of a wood burning stove showing my new design;
 FIG. 8 is a top plan view thereof;
 FIG. 9 is a right side view thereof; and
 FIG. 10 is a front elevational view thereof.
 The rear and bottom sides of the second embodiment are identical to the corresponding sides of the first embodiment.



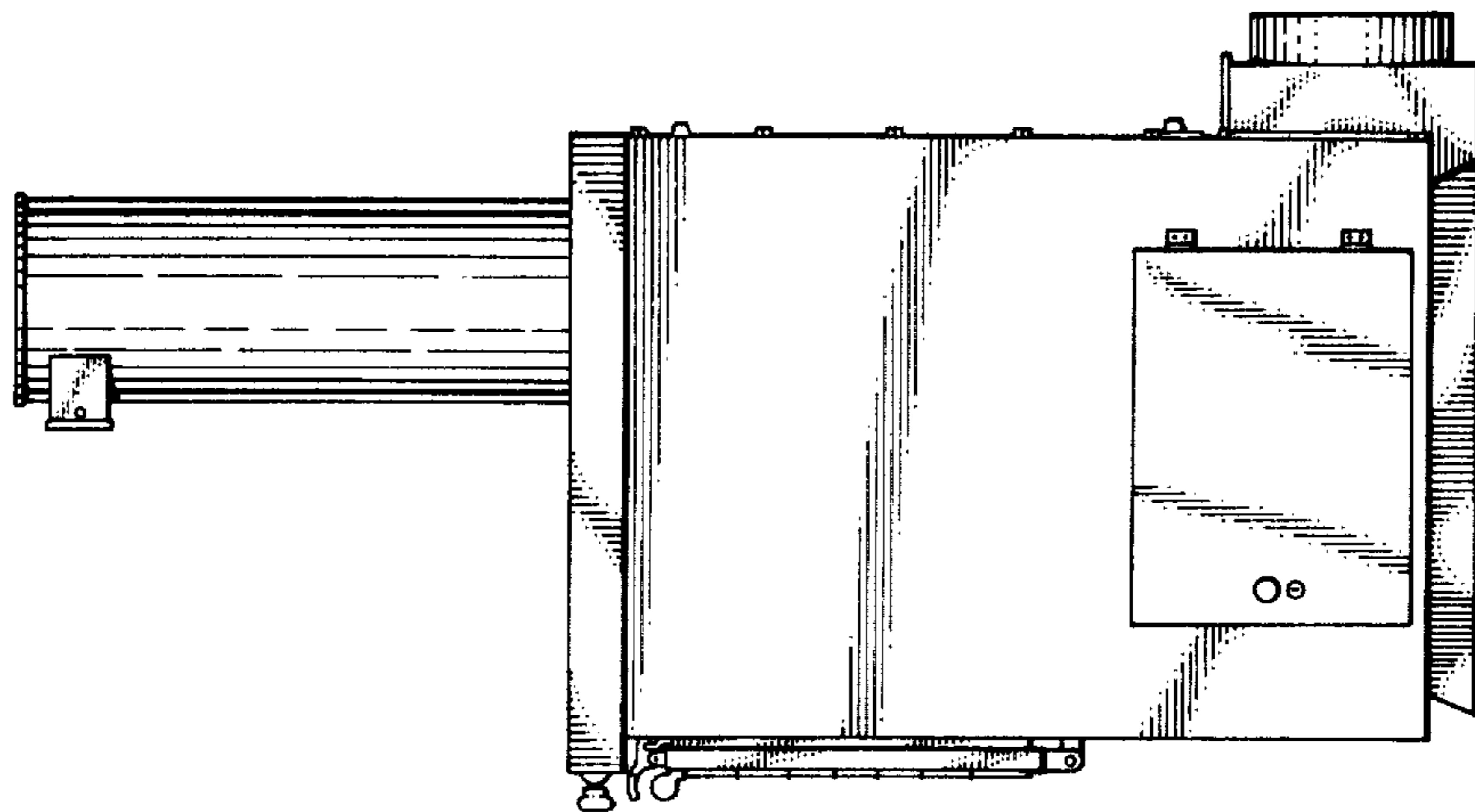


FIG. 2

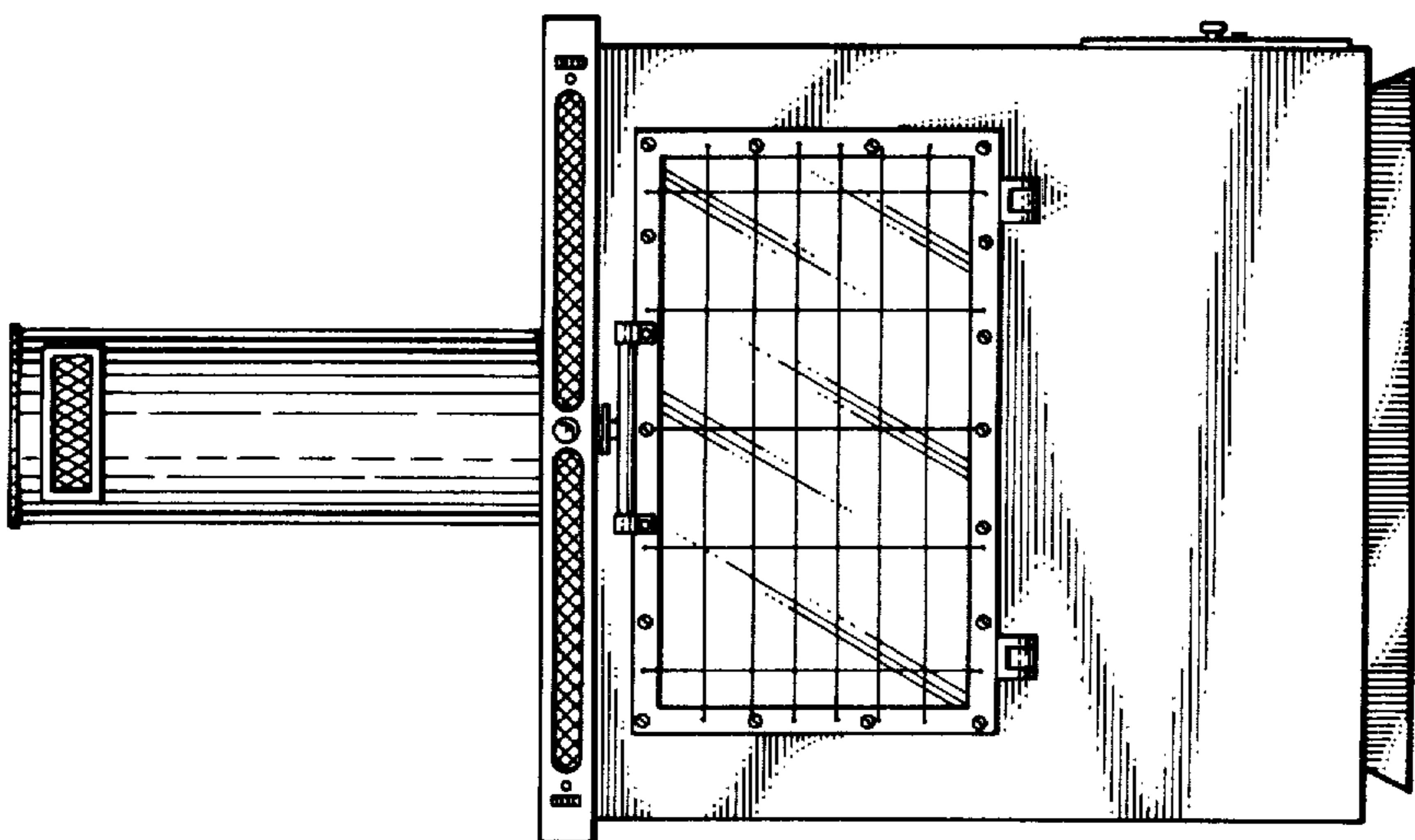


FIG. 1

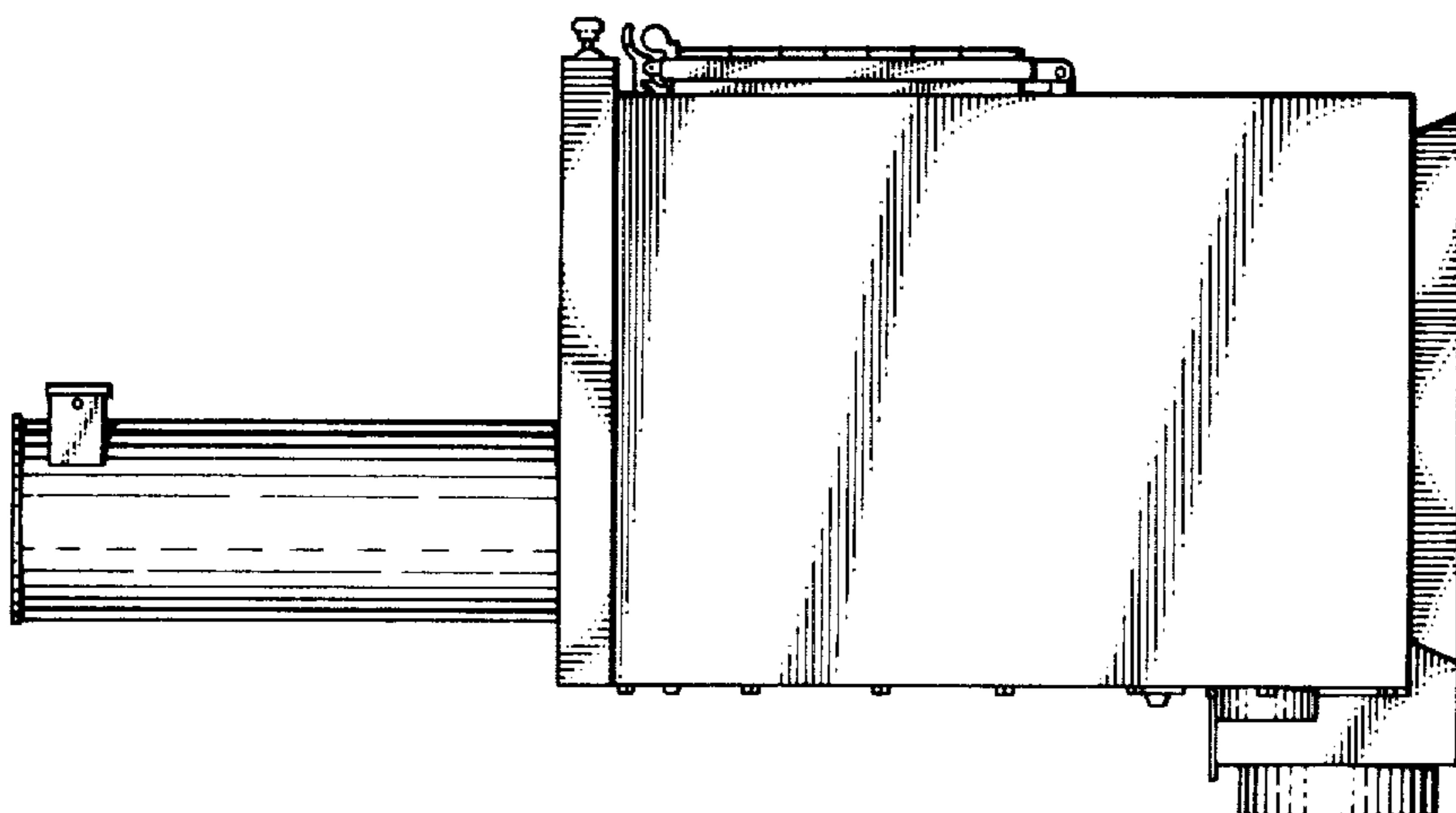


FIG. 3

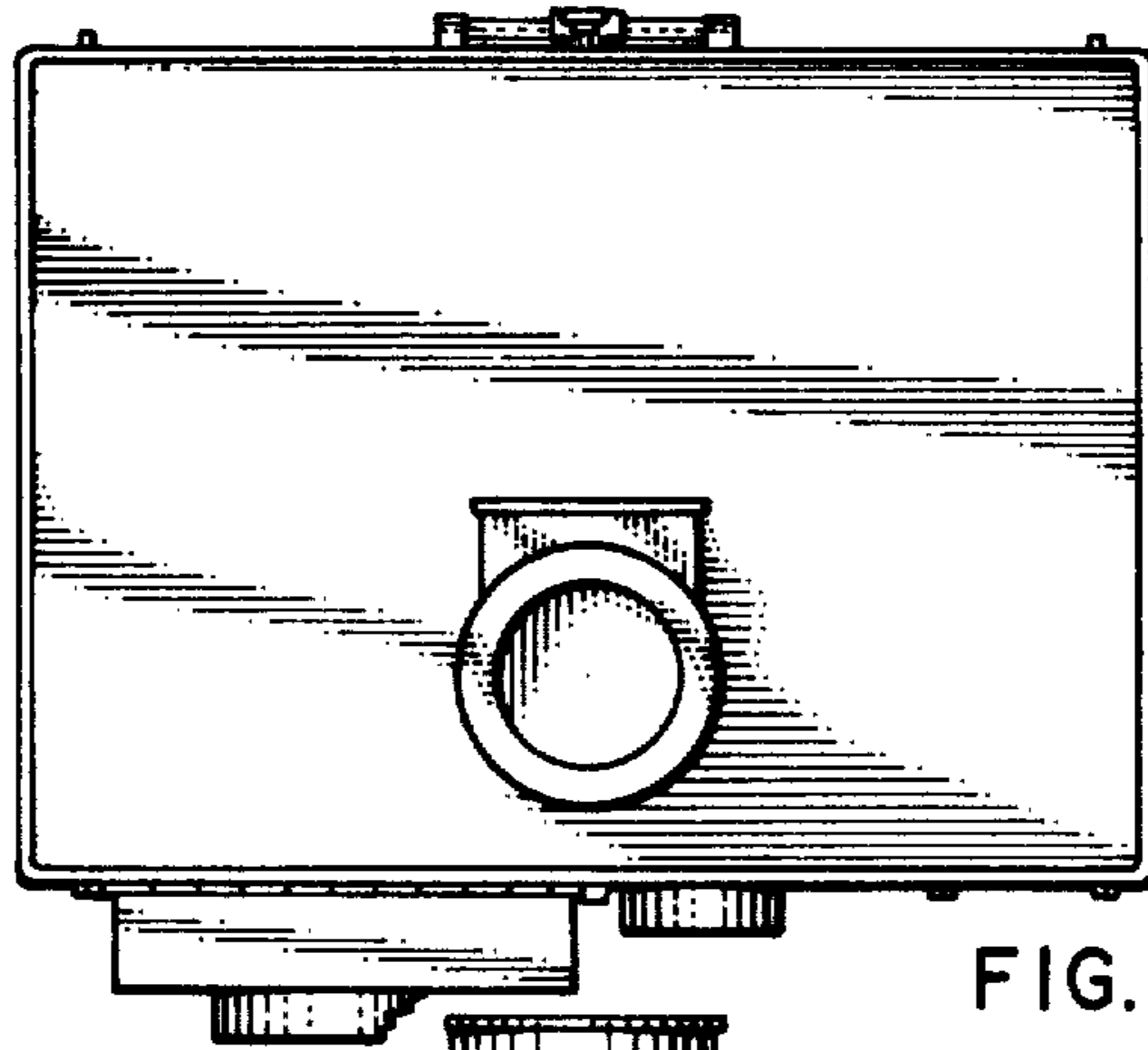


FIG. 4

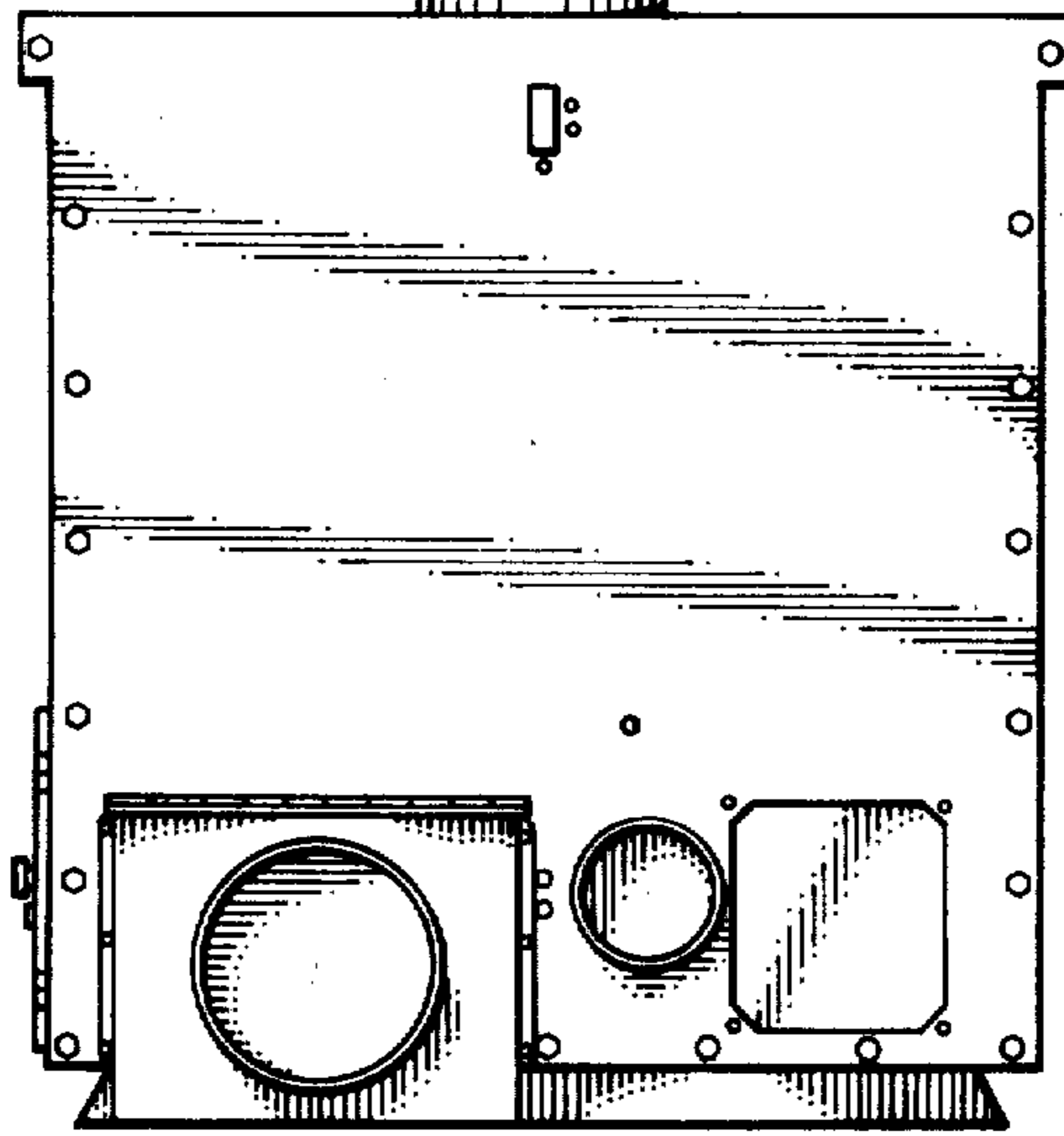


FIG. 5

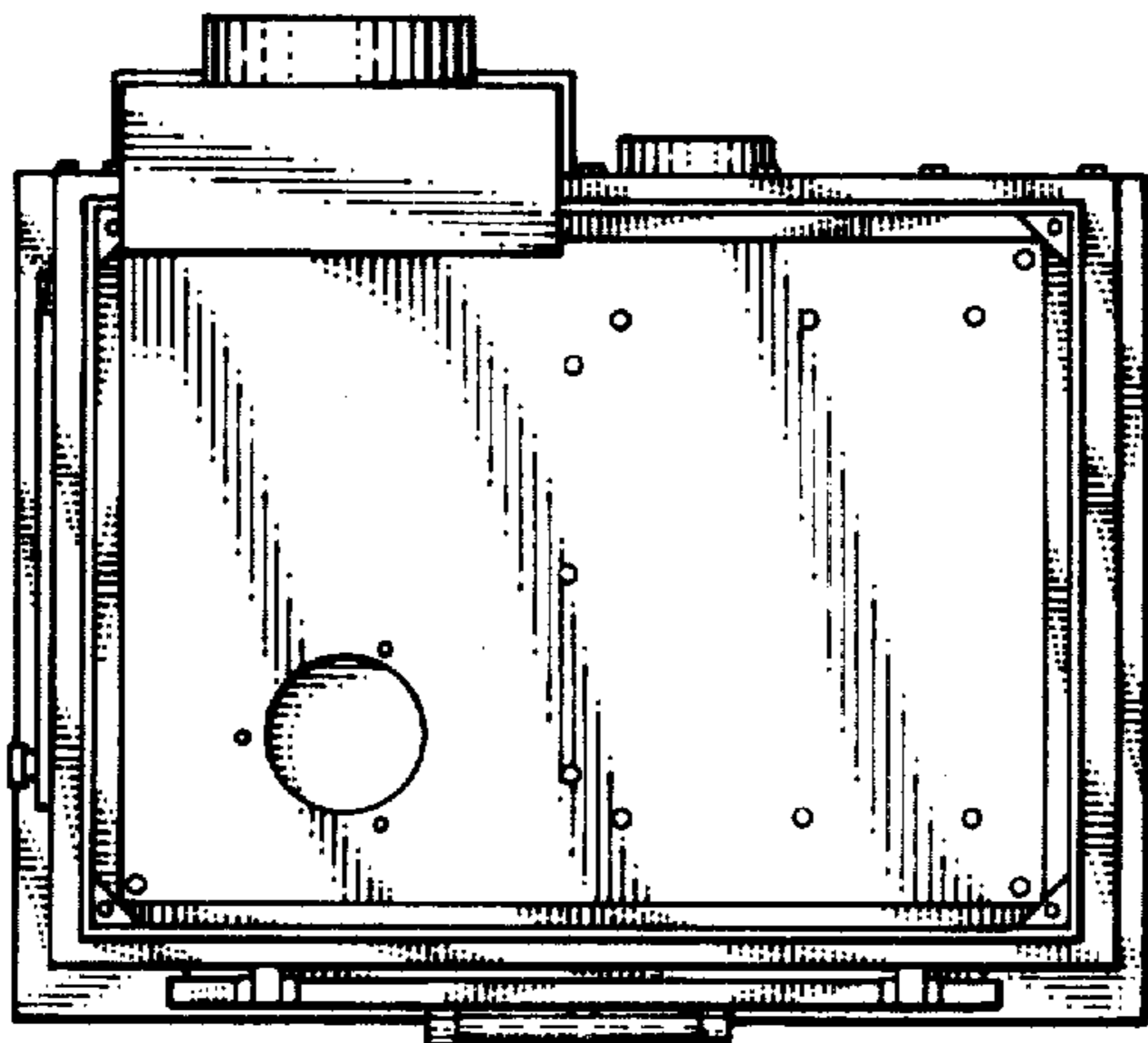


FIG. 6

FIG. 8

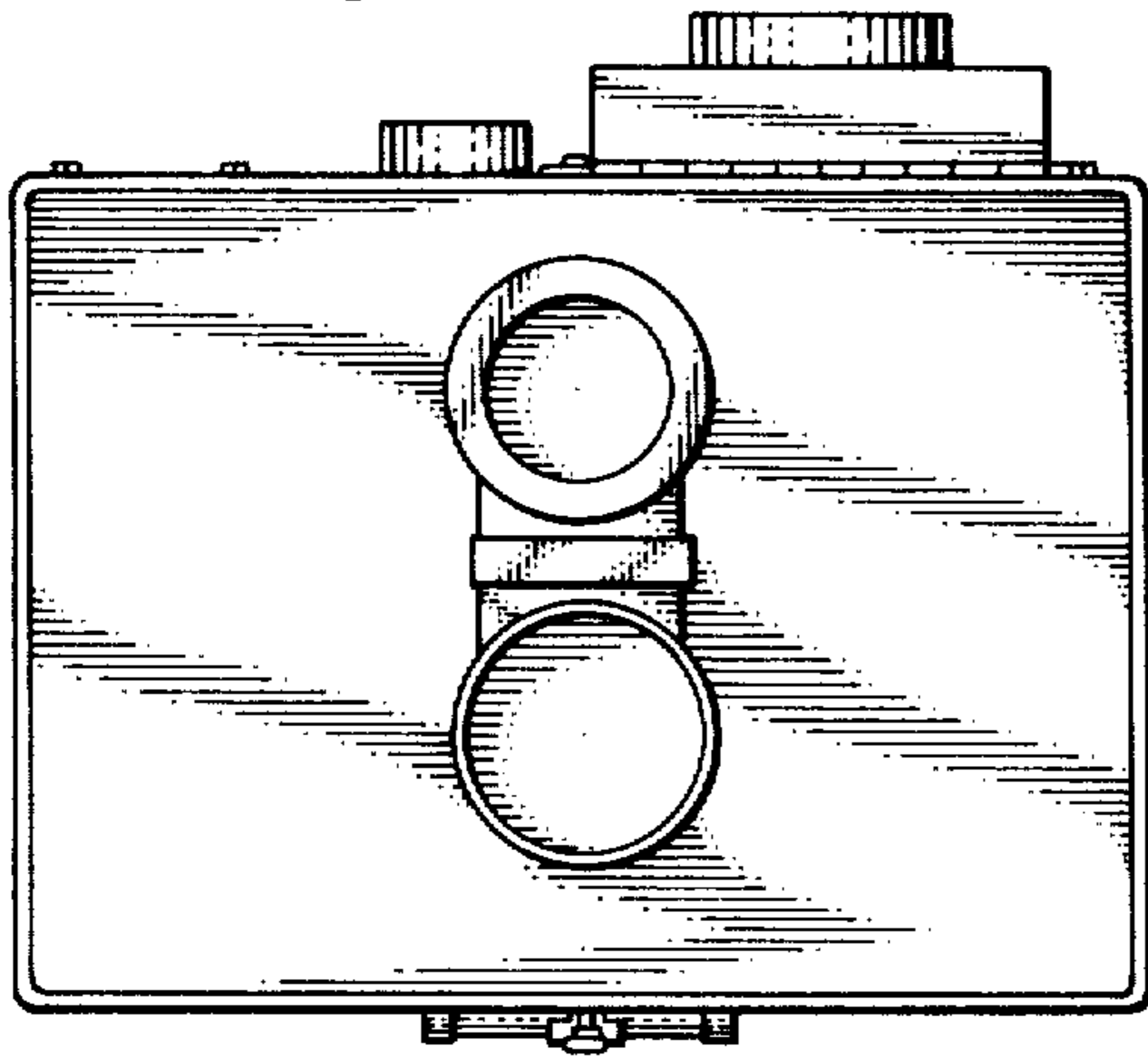


FIG. 7

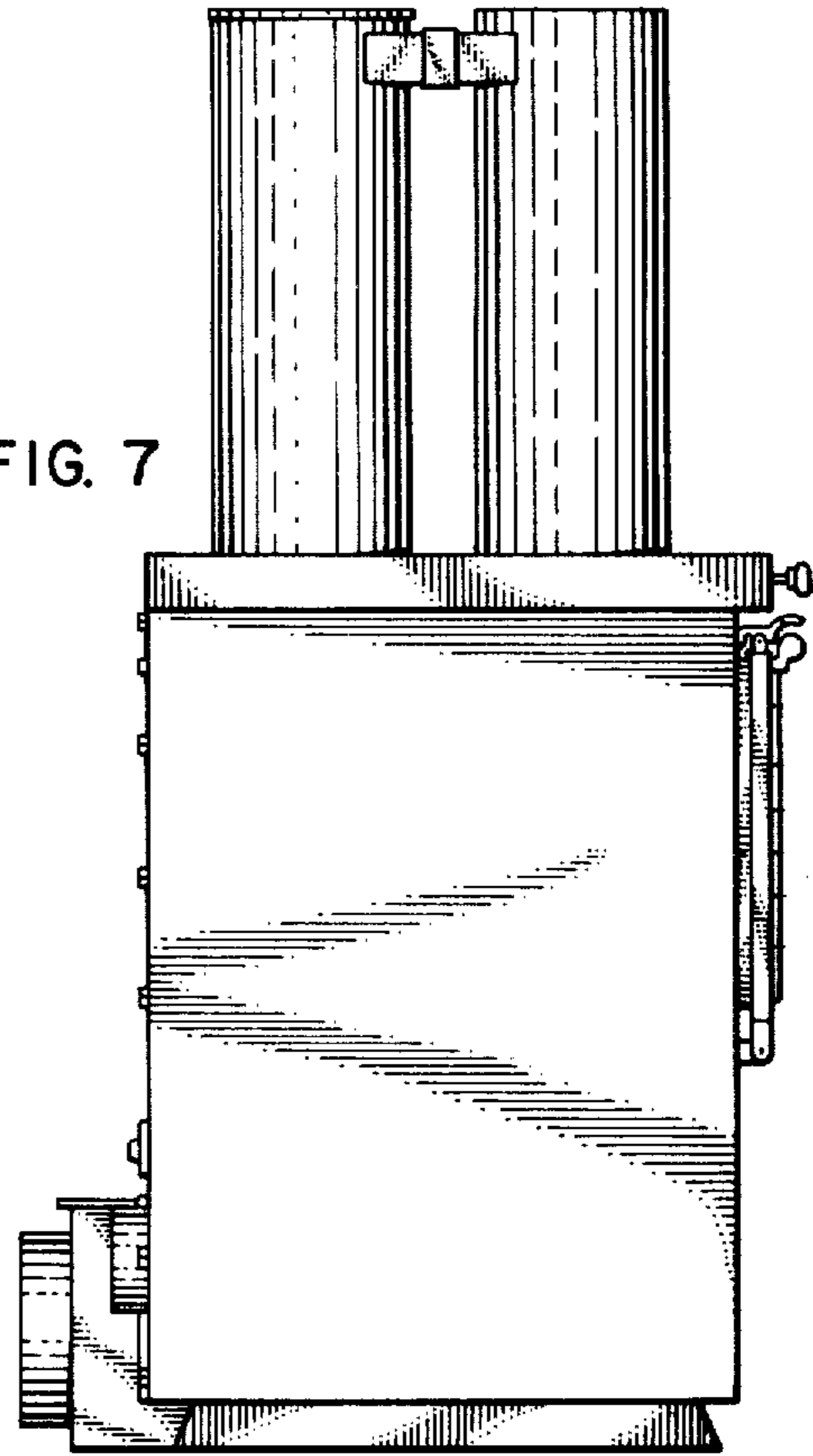


FIG. 10

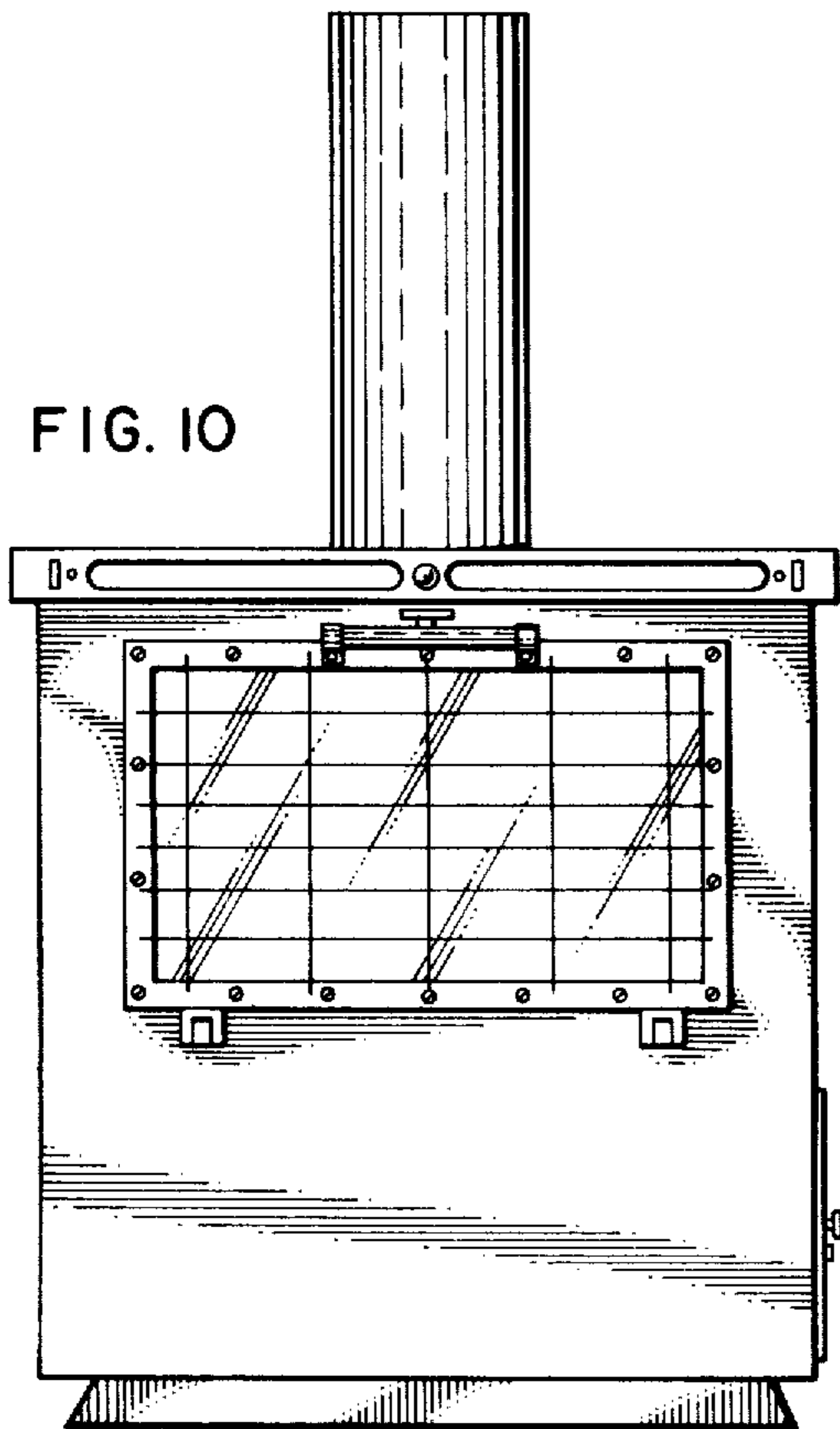


FIG. 9

